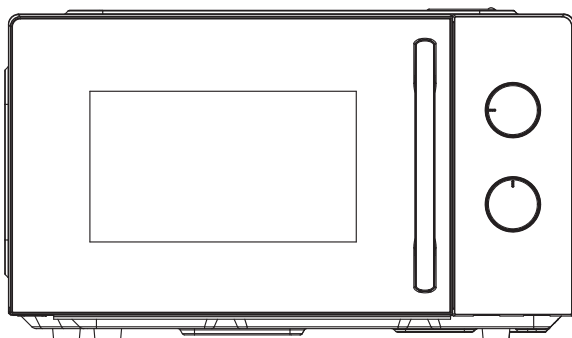


CANDY

MICROWAVE OVEN INSTRUCTION MANUAL



CMW20SMSLI



PAP

**IMPORTANT SAFETY INSTRUCTIONS
READ CAREFULLY AND KEEP FOR FUTURE REFERENCE**

Household use only

SAVE THESE INSTRUCTIONS

IMPORTANT SAFEGUARDS

WARNING: If the door or door seals are damaged, the oven must not be operated until it has been repaired by a trained person.

WARNING: It is hazardous for anyone other than a trained person to carry out any service or repair operation, which involves the removal of any cover, which gives protection against exposure to microwave energy. **WARNING:** Liquids or other food must not be heated in sealed containers since they are liable to explode.

1. Only use utensils that are suitable for use in microwave ovens
2. Metallic containers for food and beverages are not allowed during microwave cooking.
3. When heating food in plastic or paper containers, keep an eye on the oven due to the possibility of ignition
4. The microwave oven is intended for heating food and beverages. Drying of food or clothing and heating of warming pads, slippers, sponges, damp cloth and similar may lead to risk of injury, ignition or fire.
5. If smoke is observed, switch off or unplug the appliance and keep the door closed in order to stifle any flames microwave heating of beverages can result in delayed eruptive boiling, therefore care has to be taken when handling the container;

6. The contents of feeding bottles and baby food jars are to be stirred or shaken and the temperature is to be checked before consumption, in order to avoid burns;
7. Eggs in their shell and whole hard-boiled eggs shall not be heated in microwave ovens since they may explode, even after microwave heating has ended;
8. Failure to maintain the oven in a clean condition could lead to deterioration of The surface that could adversely affect the life of the appliance and possibly result in a hazardous situation.
The microwave oven is intended to be used freestanding or built-in or in a cabinet.
9. The appliance must not be placed in a cabinet
10. Care should be taken not to displace the turntable when removing containers from the appliance.
11. The appliance shall not be cleaned with a steam cleaner.

Warning: When the appliance is operated in the combination mode, children should only use the oven under adult supervision due to the temperatures generated.



CAUTION: HOT SURFACE

12. If the supply cord is damaged, it must be replaced by the manufacturer or its service agent or a similarly qualified person in order to avoid a hazard.
13. This appliance can be used by children aged from 8 years and above and persons with reduced physical, sensory or mental

capabilities or lack of experience and knowledge if they have been given supervision or instruction concerning use of the appliance in a safe way and understand the hazards involved.

14. Children shall not play with the appliance.

15. Cleaning and user maintenance shall not be made by children without supervision.

16. Group 2 Class B appliance

Group 2 ISM equipment: group 2 contains all ISM equipment in which radio-frequency energy is intentionally generated and/or used in the form of electromagnetic radiation for the treatment of material, and EDM and arc welding equipment.

Class B equipment is equipment suitable for use in domestic establishments and in establishments directly connected to a low voltage power supply network which supplies buildings used for domestic purposes.

INSTALLATION

1. Remove the package from the microwave and carefully check the microwave for damage. Such as:

Whether the furnace body is shocked and shows signs of heavy pressure.

Whether the furnace door is flat and the switch is smooth and flexible.

Whether the metal insulation mesh on the furnace door is bent or deformed.

Whether the power cord is loose.

If you find any of the above, please contact your dealer or our special maintenance department immediately.

2. The microwave oven must be placed flat in a ventilated, dry, non-corrosive environment, away from high temperatures and vapors.

3. Do not place any objects on the top of the stove. In order to have sufficient air circulation space, the product should be placed 85cm above the ground. The distance between the sides of the microwave oven and the wall should be no less than 5cm, the distance between the back of the furnace and the wall should be no less than 10cm and the distance from the top wall cabinet should be no less than 20cm.

4. The microwave oven should be away from the TV, radio and antenna (generally greater than 5m), otherwise it will cause interference.

5. The microwave oven should be placed in the place where the power cable is convenient to plug in, and the grounding is guaranteed to be good. In case of leakage, the grounding wire can be formed.

The current loop avoids electric shock.

6. Be sure to operate the microwave oven with the door closed.

7. Do not place the microwave in the cabinet.

8. When using the microwave oven for the first time, since the residue or grease in the manufacturing process exists in the furnace cavity or on the heating pipe, there may often be odor and even white smoke during heating. This is a normal phenomenon and has been used several times. After this, this will not happen, pay attention to open the doors and windows to maintain good ventilation.

CLEANING

MICROWAVE OVEN CARE



CAUTION

The oven should be cleaned regularly and any food deposits removed.



WARNING

1. Remove the power cord from the wall outlet before cleaning. Don't immerse the appliance in water or other fluids when cleaning.
2. Failure to maintain the oven in a clean condition could lead to deterioration of the surface that could adversely affect the life of the appliance and possibly result in a hazardous situation

3. Never use hard detergent, gasoline, abrasive powder or metal brush to clean any part of the appliance

4. Do not remove the waveguide cover

5. When the microwave oven has been used for a long time, there may be some strange odors exist in oven, Following 3 methods can get rid of them:

a. Place several lemon slices in a cup, then heat with high Micro Power for 2-3 min.

b. Place a cup of red tea in oven, then heat with high micro power.

c. Put some orange peel into oven, and then heat them with high Micro Power for 1 minute.

6. WARNING: Only allow children to use the oven without supervision when adequate instructions have been given so that the child is able to use the oven in a safe way and understands the hazards of improper use.

TIPS FOR CLEANING

Details for cleaning door seals, cavity and adjacent parts:

Exterior:

Wipe the enclosure with a dampened soft cloth

Door:

Using a dampened soft cloth, wipe clean the door and window

Wipe the door seals and adjacent parts to remove any spill or spatter

Wipe the control panel with a slightly dampened soft cloth

Interior walls:

Wipe clean the cavity with a dampened soft cloth

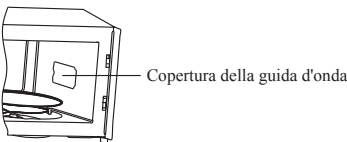
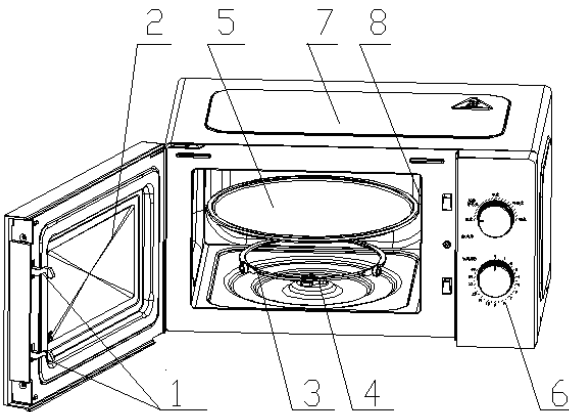
Wipe clean the waveguide cover to remove any food splashed

Turntable/ Rotation ring/ Rotation axis:

Wash with mild soap water

Rinse with clean water and allow drying thoroughly

PRODUCT INSTRUCTION



Copertura della guida d'onda

1) Door lock

Microwave oven door must be properly closed in order for it to operate

2) Viewing window

Allow user to see the cooking status

3) Rotating ring

The glass turntable sits on its wheels; it supports the turntable and helps it to balance when rotating

4) Rotating axis

The glass turntable sits on the axis; the motor underneath it drives the turntable to rotate

5) Turntable

The food sits on the turntable, its rotation during operation helps to cook food evenly



CAUTION

- Place the rotating ring first
- Fit the turntable onto the rotating axis and make sure that it is geared in properly

6) Control panel

See below in details (the control panel is subject to change without prior notice)

7) Outer cover

Used for wrapping and protecting the internal structural parts and electrical components of the whole machine

8) Waveguide cover

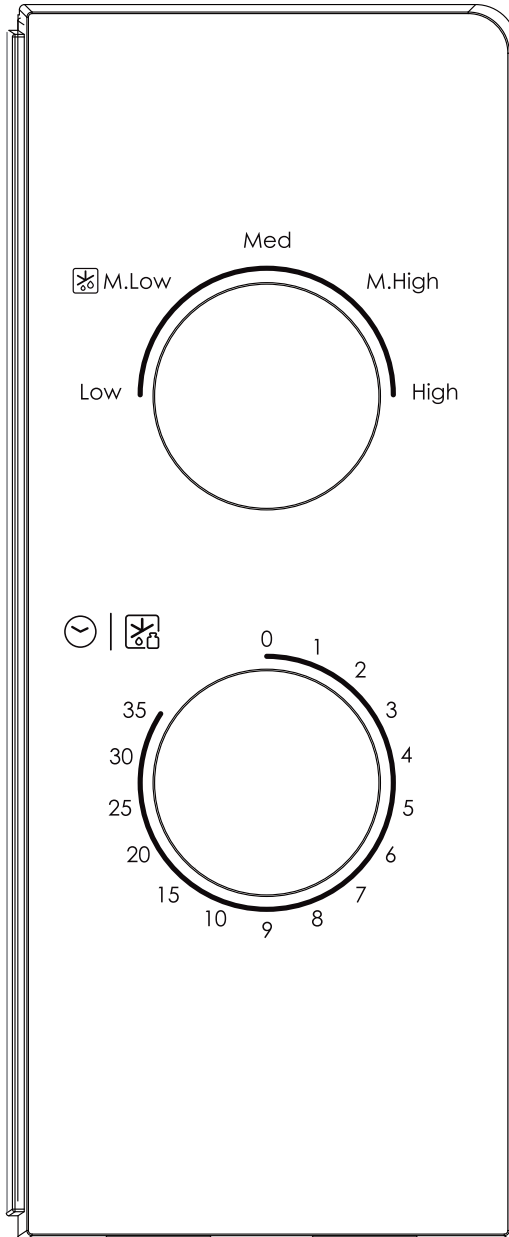
It is inside the microwave oven, next to the wall of control panel.



WARNING

Never remove the waveguide cover

OPERATION OF CONTROL PANEL



1. CLOCK SETTING

The maximum setting is 35 minutes, there is a ringtone at the end, and the knob returns to the “0” position.

2. MICROWAVE FUNCTION

There are five firepower files:

HIGH	100% power output	700W	(Quick cooking)
M.High	80% power output	550W	(Normal cooking)
Med	55% power output	390W	(Slow cooking)
M.Low	30% power output	200W	(Defrost food)
LOW	17% power output	120W	(Keep warm)

Below is some food defrosting time advice:

	Weight	Defrost time
Meat	0.1~1.0kg	1:30~26:00
Poultry	0.2~1.0kg	2:30~22:00
Sea food	0.1~0.9kg	1:30~14:00

OPERATION

1) Connect the cord

- Before connecting the cord, make sure the timer is set to “0” position.
- Do not block the ventilation.

2) Place the food on the glass turntable and close the door

- Food must be contained in a utensil

3) Select the desired power level

4) Set the timer

If desired time is less than 10 minutes, turn the firepower knob to over 10 minutes position and then turn back to the desired time setting.

5) Once the desired time is set, the cooking begins. If pausing in between is needed, just open the door at any time, and close it to resume operation.

6) When it times out and cooking ends, the microwave oven produces a bell ring, the inside lamp will also be automatically turned off.

If food is removed before time out, make sure to set back the timer to “0” position, this avoids the microwave oven from operating in empty load.

UTENSILS GUIDELINE

Depending on the cooking method, it is necessary to choose a safe and suitable vessel. If it is not properly selected, it will not only affect the cooking effect, but also cause damage to the vessel or microwave oven. Please refer to the table below for use:

Material of container	Microwave	Notes
Heat-resistant ceramic	Yes	Never use the ceramics which are decorated with metal rim or glazed
Heat-resistant plastic	Yes	Can not be used for long time microwave cooking
Heat-resistant glass	Yes	
Grill rack	No	
Plastic film	Yes	It should not be used when cooking meat or chops as the over-temperature may do damage to the film

COOKING TIPS

The following factors may affect the cooking result:

Food arrangement

Place thicker areas towards outside of dish, the thinner part towards the centre and spread it evenly. Do not overlap if possible.

Cooking time length

Start cooking with a short time setting, evaluate it after it times out and extend it according to the actual need. Over cooking may result in smoke and burns.

Cooking food evenly

Food such as chicken, hamburger or steak should be turned once during cooking.

Depending on the type of food, if applicable, stir it from outside to centre of dish once or twice during cooking

Allow standing time

After cooking times out, leave the food in the oven for an adequate length of time, this allows it to complete its cooking cycle and cooling it down in a gradual manner

Whether the food is done

Color and hardness of food help to determine if it is done, these include:

- Steam coming out from all parts of food, not just the edge
- Joints of poultry can be moved easily
- Pork or poultry shows no signs of blood
- Fish is opaque and can be sliced easily with a fork

Browning dish

When using a browning dish or self-heating container, always place a heat-resistant insulator such as a porcelain plate under it to prevent damage to the turntable and rotating ring.

Microwave safe plastic wrap

When cooking food with high fat content, do not allow the plastic wrap come into contact with food as it may melt

Microwave safe plastic cookware

Some microwave safe plastic cookware might not be suitable for cooking foods with high fat and sugar content. Also, the preheating time specified in the dish instruction manual must not be exceeded.

MAINTENANCE

SERVICING

Please check the following before calling for services.

1. Place one cup of water (approx.150ml) in a glass measure in the oven and close the door securely. Oven lamp should go off if the door is closed properly. Let the oven work for 1 min.
2. Does the oven lamp light?
3. Does the cooling fan work?
(Put your hand over the rear ventilation openings.)
4. Does the turntable rotate?
(The turntable can rotate clockwise or counter clockwise. This is quite normal.)
5. Is the water inside the oven hot after 1 minute?

If “NO” is the answer to any of the above questions, please check your wall socket and the fuse in your meter box.

If both the wall socket and the fuse are functioning properly, CONTACT YOUR NEAREST SERVICE CENTER APPROVED.

SERVICING SAFEGUARDS

Caution: MICROWAVE RADIATION

1. **Warning:** There is microwave radiation and high voltage in the microwave. Except for maintenance technicians, it is strictly forbidden to dismantle it by yourself to avoid harm to the human body. Do not expose to radiation from microwave generators or other conducted microwave energy components!

Warning: When the microwave oven is running, the surface temperature will be very high!

2. During servicing below listed parts are liable to be removed and give access to potentials above 250V to earth.

- Magnetron
- High voltage transformer
- High voltage capacitor
- High voltage diode

3. The following conditions may cause undue microwave exposure during servicing.

- Improper fitting of magnetron;
- Improper matching of door interlock, door hinge and door;
- Improper fitting of switch support;
- Door, door seal or enclosure has been damaged.

Correct Disposal of this product



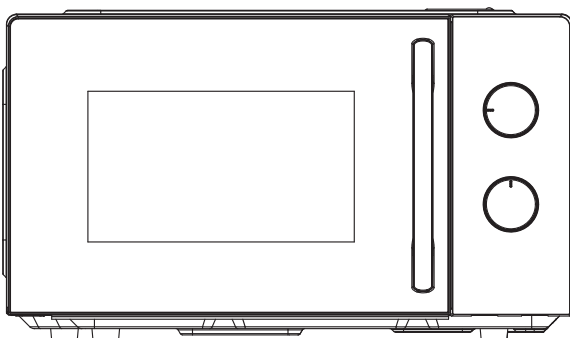
This appliance is labelled in accordance with European Directive 2012/19/EU on Waste Electrical and Electronic Equipment Regulations 2013 regarding electric and electronic appliances (WEEE). The WEEE contain both polluting substances (that can have a negative effect on the environment) and base elements (that can be reused). It is important that the WEEE undergo specific treatments to correctly remove and dispose of the pollutants and recover all the materials. Individuals can play an important role in ensuring that the WEEE do not become an environmental problem; it is essential to follow a few basic rules:

- the WEEE should not be treated as domestic waste;
- the WEEE should be taken to dedicated collection areas managed by the town council or a registered company.

In many countries, domestic collections may be available for large WEEEs. When you buy a new appliance, the old one can be returned to the vendor who must accept it free of charge as a one-off, as long as the appliance is of an equivalent type and has the same functions as the purchased appliance.

CANDY

FOUR À MICRO-ONDES MANUEL D'INSTRUCTIONS



CMW20SMSLI



PAP

**CONSIGNES DE SÉCURITÉ IMPORTANTES
LISEZ ATTENTIVEMENT ET CONSERVEZ CE MANUEL POUR
POUVOIR LE CONSULTER EN CAS DE BESOIN**

Usage domestique uniquement

CONSERVEZ CES INSTRUCTIONS

CONSIGNES DE SÉCURITÉ IMPORTANTES

AVERTISSEMENT : si la porte ou les joints de porte sont endommagés, le four ne doit pas être utilisé tant qu'il n'a pas été réparé par une personne compétente.

AVERTISSEMENT : il est dangereux pour toute personne autre qu'une personne compétente d'effectuer toute opération d'entretien ou de réparation impliquant l'enlèvement d'un couvercle qui protège contre l'exposition à l'énergie des micro-ondes. **AVERTISSEMENT** : les liquides et autres aliments ne doivent pas être chauffés dans des contenants scellés, car ils sont susceptibles d'exploser.

1. N'utilisez que des ustensiles adaptés à l'utilisation dans les fours à micro-ondes.
2. Les contenants métalliques pour aliments et boissons ne sont pas autorisés pendant la cuisson aux micro-ondes.
3. Lorsque vous chauffez des aliments dans des contenants en plastique ou en papier, gardez un œil sur le four en raison du risque d'inflammation.
4. Le four à micro-ondes est destiné au chauffage des aliments et des boissons. Le séchage d'aliments ou de vêtements et le chauffage de coussins chauffants, de chaussons, d'éponges, de chiffons humides ou similaires peuvent entraîner un risque de blessure, d'ignition ou d'incendie.
5. S'il y a de la fumée, éteindre ou débrancher l'appareil et garder la porte fermée afin d'étouffer toute flamme de chauffage de boissons par

micro-ondes peut entraîner le débordement d'une ébullition à retardement, c'est pourquoi il faut faire attention lors de la manipulation du contenant.

6. Le contenu des biberons et des pots d'aliments pour bébés doit être mélangé ou agité et la température vérifiée avant consommation, afin d'éviter les brûlures.
7. Les œufs dans leur coquille et les œufs durs entiers ne doivent pas être chauffés dans un four à micro-ondes, car ils peuvent exploser, même après la fin du chauffage aux micro-ondes.
8. Le fait de ne pas conserver le four propre peut entraîner une détérioration de la surface qui pourrait nuire à la durée de vie de l'appareil et éventuellement entraîner une situation dangereuse. Le four à micro-ondes est destiné à être utilisé en pose libre ou encastré.
9. L'appareil ne doit pas être installé dans une armoire
10. Veillez à ne pas déplacer le plateau tournant lorsque vous retirez les contenants de l'appareil.
11. L'appareil ne doit pas être nettoyé à l'aide d'un nettoyeur à vapeur.

Avertissement : lorsque l'appareil est utilisé en mode combiné, les enfants doivent utiliser le four uniquement sous la surveillance d'un adulte en raison des températures générées.



ATTENTION : SURFACE CHAUDE

12. Si le cordon d'alimentation est endommagé, faites-le remplacer par le fabricant, le service après-vente ou un électricien qualifié pour éviter tout risque d'accident.

13. Cet appareil peut être utilisé par des enfants à partir de 8 ans et par des personnes ayant des capacités physiques, sensorielles ou mentales réduites ou un manque d'expérience et de connaissances, s'ils sont sous surveillance ou si on leur a appris à utiliser l'appareil en toute sécurité et s'ils comprennent les risques courus.
14. Les enfants ne doivent pas jouer avec l'appareil.
15. Le nettoyage et l'entretien ne doivent pas être effectués par des enfants sans surveillance.
16. Appareil du groupe 2 classe B
Équipements du groupe 2 ISM : le groupe 2 comprend tous les équipements ISM dans lesquels l'énergie des radiofréquences est générée intentionnellement et/ou utilisée sous forme de rayonnement électromagnétique pour le traitement des matériaux, EDM et du matériel de soudage à l'arc.
Les équipements de classe B sont des équipements adaptés à une utilisation dans des établissements domestiques et dans des établis-sements directement raccordés à un réseau d'alimentation à basse tension qui alimente les bâtiments utilisés à des fins domestiques.

INSTALLATION

1. Retirez l'emballage du four à micro-ondes et vérifiez l'absence de dommages sur le micro-ondes. Par exemple :

Si le corps du four a un impact et présente des signes de forte pression.

Si la porte du four est plate et l'interrupteur est lisse et flexible.

Si le treillis isolant métallique de la porte du four est plié ou déformé.

Si le cordon d'alimentation est desserré.

Si vous constatez l'un des éléments ci-dessus, veuillez contacter immédiatement votre revendeur ou notre service d'entretien spécial.

2. Le four à micro-ondes doit être placé à plat dans un environnement ventilé, sec et non corrosif, à l'abri des hautes températures et vapeurs.

3. Ne placez aucun objet sur le dessus du four. Afin d'avoir suffisamment d'espace de circulation d'air, le produit doit être placé à 85 cm au-dessus du sol. La distance entre les côtés du four à micro-ondes et le mur ne doit pas être inférieure à 5 cm, la distance entre l'arrière du four et le mur ne doit pas être inférieure à 10 cm et la distance avec l'armoire murale supérieure ne doit pas être inférieure à 20 cm.

4. Le four à micro-ondes doit être éloigné de la télévision, de la radio et de l'antenne (généralement à plus de 5 m), sinon il peut provoquer des interférences.

5. Le four à micro-ondes doit être placé à l'endroit où le câble d'alimentation est pratique à brancher, et la mise à la terre est garantie d'être bonne. En cas de fuite, le fil de mise à la terre peut être moulé.

La boucle de courant évite les chocs électriques.

6. Assurez-vous de faire fonctionner le four à micro-ondes lorsque la porte est fermée.

7. Ne placez pas le four à micro-ondes dans une armoire.

8. Lorsque vous utilisez le four à micro-ondes pour la première fois, étant donné qu'il peut y avoir des résidus ou de la graisse issus du processus de fabrication dans la cavité du four ou sur le tuyau de chauffage, il peut y avoir des odeurs et même de la fumée blanche pendant le chauffage. C'est un phénomène normal qui a été utilisé plusieurs fois. Après cela, cela ne se produira pas, faites attention à ouvrir les portes et les fenêtres pour maintenir une bonne ventilation.

NETTOYAGE

ENTRETIEN DU FOUR À MICRO-ONDES



ATTENTION

Le four doit être nettoyé régulièrement et tout dépôt de nourriture doit être enlevé.



AVERTISSEMENT

1. Retirez le cordon d'alimentation de la prise murale avant de le nettoyer. Ne plongez pas l'appareil dans l'eau ou dans d'autres liquides lors du nettoyage.

2. Le fait de ne pas conserver le four propre peut entraîner une détérioration de la surface qui pourrait nuire à la durée de vie de l'appareil et éventuellement entraîner une situation dangereuse.

3. N'utilisez jamais de détergent dur, d'essence, de poudre abrasive ou de brosse métallique pour nettoyer les pièces de l'appareil

4. Ne retirez pas le couvercle du guide d'ondes

5. Lorsque le four à micro-ondes a été utilisé pendant une longue période, il peut y avoir des odeurs étranges dans le four. Voici 3 méthodes pour se débarrasser de ces odeurs :

a. Déposez plusieurs tranches de citron dans une tasse, puis chauffez à puissance élevée pendant 2-3 min.

b. Placez une tasse de thé rouge dans le four, puis chauffez à haute puissance.

c. Mettez un peu d'écorce d'orange au four, puis faites chauffer à haute puissance le micro-ondes pendant 1 minute.

6. AVERTISSEMENT : ne laissez les enfants utiliser le four sans surveillance que lorsque des instructions adéquates ont été données afin que les enfants puissent utiliser le four de manière sûre et qu'ils comprennent les risques d'une utilisation inappropriée.

CONSEILS DE NETTOYAGE

Détails pour le nettoyage des joints de porte, de la cavité et des pièces adjacentes :

Extérieur :

Essuyez le boîtier à l'aide d'un chiffon doux humide

Porte :

À l'aide d'un chiffon doux humide, nettoyez la porte et la fenêtre

Essuyez les joints de la porte et les pièces adjacentes pour éliminer tout débordement ou éclaboussure

Essuyez le panneau de commande à l'aide d'un chiffon doux légèrement humide

Parois intérieures :

Nettoyez la cavité à l'aide d'un chiffon doux humide

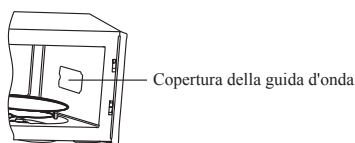
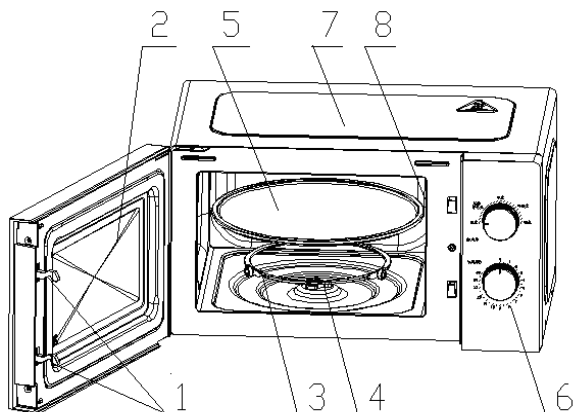
Nettoyez le couvercle du guide d'ondes pour éliminer les éclaboussures d'aliments

Plateau tournant / anneau de rotation / axe de rotation :

Lavez à l'eau savonneuse douce

Rincez à l'eau claire et laissez bien sécher

INSTRUCTIONS SUR LE PRODUIT



1) Loquet de la porte

La porte du four à micro-ondes doit être correctement fermée pour fonctionner

2) Fenêtre de visualisation

Permet à l'utilisateur de voir l'état de cuisson

3) Anneau de rotation

Le plateau tournant en verre repose sur ses roues; il supporte le plateau tournant et l'aide à s'équilibrer lors de la rotation

4) Axe de rotation

Le plateau tournant en verre repose sur l'axe ; le moteur en dessous entraîne la rotation du plateau

5) Plateau tournant

Les aliments sont placés sur le plateau tournant, sa rotation pendant le fonctionnement permet une cuisson uniforme des aliments



ATTENTION

- Placez d'abord l'anneau de rotation

- Placez le plateau tournant sur l'axe de rotation et assurez-vous qu'il est correctement aligné

6) Panneau de commande

Voir ci-dessous en détail (le panneau de commande peut être modifié sans préavis)

7) Couvercle extérieur

Utilisé pour l'emballage et la protection des pièces internes de structure et des composants électriques de l'ensemble de la machine

8) Couvercle du guide d'ondes

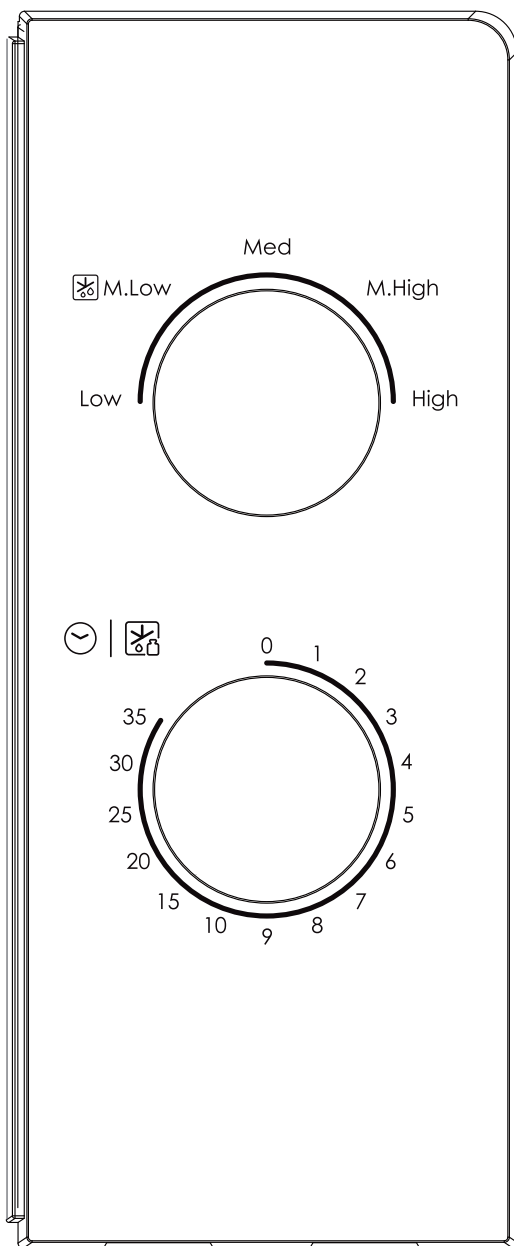
Il se trouve à l'intérieur du four à micro-ondes, à côté de la paroi du panneau de commande.



AVERTISSEMENT

Ne retirez jamais le couvercle du guide d'ondes

FONCTIONNEMENT DU PANNEAU DE COMMANDE



1. RÉGLAGE DE L'HORLOGE

Le réglage maximum est de 35 minutes, il y a une sonnerie à la fin, et le bouton revient en position « 0 ».

2. FONCTION MICRO-ONDES

Il y a cinq puissances de feu :

HIGH (ÉLEVÉE)	puissance de sortie 100 %	700 W	(Cuisson rapide)
M.High (M. Élevée)	puissance de sortie 80 %	550 W	(Cuisson normale)
Med (Moyenne)	puissance de sortie 55 %	390 W	(Cuisson lente)
M.Low (M. Basse)	puissance de sortie 30 %	200 W	(Décongélation d'aliments)
LOW (BASSE)	puissance de sortie 17 %	120 W	(Garder au chaud)

Vous trouverez ci-dessous quelques conseils sur le temps de décongélation des aliments :

	Poids	Durée de décongélation
Viande	0,1~1,0 kg	1:30~26:00
Volaille	0,2~1,0 kg	2:30~22:00
Fruits de mer	0,1~0,9 kg	1:30~14:00

FONCTIONNEMENT

1) Branchez le cordon

- Avant de brancher le cordon, assurez-vous que la minuterie est en position « 0 ».
- Ne bloquez pas la ventilation.

2) Placez les aliments sur le plateau tournant en verre et fermez la porte

- Les aliments doivent être contenus dans un ustensile

3) Sélectionnez le niveau de puissance souhaité

4) Réglez la minuterie

Si la durée souhaitée est inférieure à 10 minutes, tournez le bouton d'alimentation en position 10 minutes puis revenez à la durée souhaitée.

5) Une fois que le temps souhaité est défini, la cuisson commence. Si vous avez besoin d'une pause entre les deux, il suffit d'ouvrir la porte à tout moment et de la fermer pour reprendre l'opération.

6) Lorsqu'il s'arrête et que la cuisson se termine, le four à micro-ondes émet une sonnerie, la lampe intérieure s'éteindra également automatiquement.

Si les aliments sont retirés avant l'expiration du délai, assurez-vous de remettre la minuterie sur la position « 0 », ce qui évite que le four à micro-ondes ne fonctionne à vide.

GUIDE DES USTENSILES DE CUISINE

Selon le mode de cuisson, il est nécessaire de choisir un contenant sûr et adapté. S'il n'est pas approprié, il affectera non seulement l'effet de cuisson, mais il risque également d'endommager le plat ou le four à micro-ondes. Veuillez vous reporter au tableau ci-dessous pour l'utilisation :

Matériau du contenant	Micro-ondes	Remarques
Céramique résistante à la chaleur	Oui	N'utilisez jamais la céramique décorée d'un rebord métallique ou émaillé
Plastique résistant à la chaleur	Oui	Ne peut pas être utilisé lors d'une cuisson prolongée aux micro-ondes
Verre résistant à la chaleur	Oui	
Rack de gril	Non	
Film plastique	Oui	Il ne doit pas être utilisé lors de la cuisson de la viande ou des côtelettes car la surtempérature risque d'endommager le film

ASTUCES DE CUISSON

Les facteurs suivants peuvent avoir une incidence sur le résultat de cuisson :

Disposition des aliments

Placez les parties plus épaisses vers l'extérieur du plat, les parties les plus fines vers le centre et répartir uniformément. Ne pas faire chevaucher si possible.

Durée de cuisson

Commencez la cuisson par une courte durée, évaluez-la après le temps écoulé et prolongez-la en fonction du besoin réel. La surcuisson peut provoquer de la fumée et des brûlures.

Cuisson uniforme des aliments

Les aliments tels que le poulet, un hamburger ou un steak doivent être retournés une fois pendant la cuisson.

Selon le type d'aliment, le cas échéant, remuer de l'extérieur vers le centre du plat une ou deux fois pendant la cuisson

Laisser un temps de repos

Après la fin de la cuisson, laissez les aliments dans le four pendant une durée suffisante, pour leur permettre de terminer leur cycle de cuisson et de refroidir de manière progressive

Savoir si les aliments sont prêts

La couleur et la dureté des aliments aident à déterminer s'ils sont prêts, notamment :

- de la vapeur provient de toutes les parties des aliments, pas seulement les bords
- les articulations de la volaille peuvent être bougées facilement
- le porc ou la volaille ne présentent aucune trace de sang
- le poisson est opaque et se tranche facilement à l'aide d'une fourchette

Plat brunisseur

Lorsque vous utilisez un plat brunisseur ou un contenant auto-chauffant, placez toujours un isolant résistant à la chaleur, tel qu'une assiette en porcelaine, afin d'éviter d'endommager le plateau tournant et l'anneau de rotation.

Film plastique résistant aux micro-ondes

Lors de la cuisson d'aliments à teneur élevée en matières grasses, ne laissez pas le film plastique entrer en contact avec les aliments car il peut fondre

Ustensiles de cuisine en plastique résistant aux micro-ondes

Certains ustensiles en plastique allant au four à micro-ondes ne conviennent peut-être pas à la cuisson d'aliments riches en matières grasses et en sucre. En outre, le temps de préchauffage spécifié dans le mode d'emploi du plat ne doit pas être dépassé.

ENTRETIEN

ENTRETIEN

Veuillez vérifier ce qui suit avant d'appeler le service d'assistance.

1. Placez une tasse d'eau (150 ml environ) dans un verre de mesure dans le four et fermez bien la porte. La lampe du four s'éteint si la porte est correctement fermée. Faites fonctionner le four pendant 1 min.
2. La lampe du four s'allume-t-elle ?
3. Le ventilateur de refroidissement fonctionne-t-il ?
(Mettez votre main sur les ouvertures de ventilation à l'arrière.)
4. Le plateau tournant tourne-t-il ?
(Le plateau tournant peut tourner dans le sens horaire ou antihoraire. C'est tout à fait normal.)
5. L'eau à l'intérieur du four est-elle chaude au bout d'une minute ?

Si vous répondez « NON » à l'une des questions ci-dessus, veuillez vérifier votre prise murale et le fusible dans votre compteur d'électricité. Si la prise murale et le fusible fonctionnent correctement, **VEUILLEZ CONTACTER LE CENTRE D'ASSISTANCE APPROUVÉ LE PLUS PROCHE DE CHEZ VOUS.**

CONSIGNES DE SÉCURITÉ LORS DE L'ENTRETIEN

Attention : RAYONNEMENT À MICRO-ONDES

1. **Avertissement** : il y a un rayonnement à micro-ondes et une haute tension dans le four à micro-ondes. À l'exception des techniciens de maintenance, il est strictement interdit de le démonter par vous-même pour éviter tout dommage au corps humain. N'exposez pas au rayon-

nement des générateurs de micro-ondes ou d'autres composants d'énergie à micro-ondes !

Avertissement : lorsque le four à micro-ondes fonctionne, la température de la surface sera très élevée !

2. Lors de l'entretien, les pièces énumérées ci-dessous peuvent être retirées et donnent accès à des potentiels supérieurs à 250 V à la terre.

- Magnétron
- Transformateur haute tension
- Condensateur haute tension
- Diode haute tension

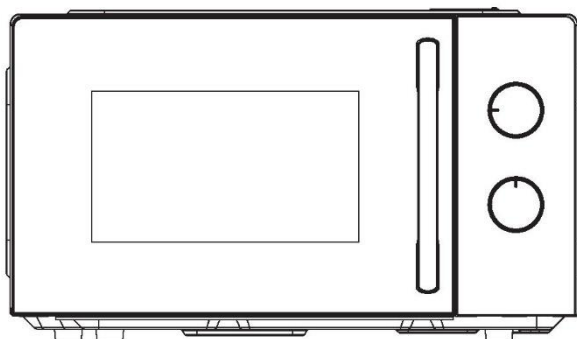
3. Les conditions suivantes peuvent provoquer une exposition excessive aux micro-ondes pendant l'entretien.

- Mauvais montage du magnétron
- Mauvaise adaptation du dispositif de verrouillage de la porte, de la charnière de porte et de la porte
- Mauvais montage du boîtier d'interrupteurs
- La porte, le joint de porte ou le boîtier ont été endommagés

Mise au rebut correcte de ce produit	
 Les icônes à gauche illustrent les règles de traitement des déchets électroniques (DEEE). En haut, un pictogramme d'un conteneur à déchets ménagers est barré d'une croix, indiquant que les DEEE ne doivent pas être jetés avec les déchets domestiques. En dessous, un pictogramme d'une personne déposant un déchet dans un conteneur est accompagné d'un pictogramme d'un livre ouvert et d'un pictogramme d'un conteneur à déchets électroniques, symbolisant la consultation des instructions et le dépôt dans un site dédié.	<p>Cet appareil est étiqueté conformément à la Directive Européenne 2012/19/UE relative aux déchets d'équipements électriques et électroniques 2013 concernant les appareils électriques et électroniques (DEEE). Les DEEE contiennent à la fois des substances polluantes (pouvant avoir un effet négatif sur l'environnement) et des éléments de base (pouvant être réutilisés). Il est important que les DEEE fassent l'objet de traitements spécifiques pour enlever et mettre au rebut les polluants et récupérer tous les matériaux. Chaque personne peut jouer un rôle important en s'assurant que les DEEE ne deviennent pas un problème environnemental ; il est essentiel de suivre quelques règles fondamentales :</p> <ul style="list-style-type: none">- les DEEE ne doivent pas être traités comme des déchets ménagers ;- les DEEE doivent être amenés sur des sites de collecte spéciaux (déchetteries) gérés par la mairie ou une entreprise agréée. <p>Dans de nombreux pays, les collectes chez les particuliers peuvent être disponibles pour les grands DEEE. Lors de l'achat d'un nouvel appareil, l'ancien peut être retourné au vendeur qui doit l'accepter gratuitement sous forme d'échange, à condition que l'appareil soit d'un type équivalent et qu'il possède les mêmes fonctions que l'appareil acheté.</p>

CANDY

ІНСТРУКЦІЯ З ЕКСПЛУАТАЦІЇ МІКРОХВИЛЬНОЇ ПЕЧІ



CMW20SMSLI



PAP

**ВАЖЛИВІ ІНСТРУКЦІЇ З ТЕХНІКИ БЕЗПЕКИ
УВАЖНО ПРОЧИТАЙТЕ ТА ЗБЕРІГАЙТЕ ЦІ ІНСТРУКЦІЇ
ДЛЯ ПОДАЛЬШОГО ВИКОРИСТАННЯ**

Лише для побутового використання

ЗБЕРЕЖІТЬ ЦІ ІНСТРУКЦІЇ

ВАЖЛИВІ ЗАПОБІЖНІ ЗАХОДИ

УВАГА! Якщо дверцята або їхні ущільнення пошкоджено, заборонено використовувати піч, доки її не відремонтує підготовлений фахівець.

УВАГА! Для інших осіб, окрім підготовлених фахівців, небезпечно виконувати будь-які операції з обслуговування або ремонту приладу, які передбачають зняття кришки, що захищає від негативного впливу мікрохвильової енергії. **УВАГА!** Не розігрівайте рідкі та інші продукти харчування в герметичних контейнерах, оскільки вони можуть вибухнути.

1. Використовуйте лише посуд, схвалений для використання в мікрохвильових печах.
2. Під час приготування в мікрохвильовій печі заборонено використовувати металеві контейнери для продуктів харчування та напоїв.
3. Під час нагрівання їжі в пластикових або паперових ємностях постійно стежте за піччю з огляду на безпеку займання.
4. Мікрохвильова піч призначена для розігрівання їжі й напоїв. Сушіння продуктів або одягу, а також нагрівання грілок, капців, губок, вологих тканин і подібних предметів може призвести до травмування, займання або пожежі.
5. Якщо з'явився дим, вимкніть прилад або від'єднайте його від мережі. Не відчиняйте дверцята приладу, щоб уникнути надходження повітря до полум'я. Розігрівання напоїв

у мікрохвильовій печі може призвести до затриманого надшвидкого закипання рідини, тому слід обережно використовувати контейнер.

6. Уміст пляшок і банок із продуктами для дитячого харчування слід перемішувати або збовтувати. Крім того, потрібно перевіряти температуру перед годуванням, щоб уникнути опіків.
 7. Заборонено розігрівати в мікрохвильових печах яйця в шкаралупі й цілі, круто зварені яйця, оскільки вони можуть вибухнути навіть після завершення мікрохвильового нагрівання.
 8. Недотримання чистоти печі може призвести до погіршення стану її поверхні, скорочення терміну служби приладу й виникнення небезпечної ситуації. Перед експлуатацією мікрохвильову піч можна встановити окремо або вбудувати всередину кухонних меблів.
 9. Заборонено розташовувати прилад у шафі.
 10. Під час виймання контейнерів із приладу слід бути обережними, щоб не змістити поворотну тацю.
 11. Заборонено очищувати прилад за допомогою пароочисника.
- Увага!** Якщо піч функціонує в комбінованому режимі, дітям дозволено користуватися нею лише під наглядом дорослих через ризики, пов'язані з високою температурою.



ОБЕРЕЖНО! ГАРЯЧА ПОВЕРХНЯ

12. Якщо кабель живлення пошкоджено, для уникнення небезпеки його має замінити виробник, його сервісний представник або особа з аналогічною кваліфікацією.

13. Цей прилад може використовуватися дітьми віком 8 років і старшими, а також особами з обмеженими фізичними, сенсорними й розумовими можливостями, недостатнім досвідом і знаннями за умови, що вони перебувають під належним наглядом або проінструктовані щодо порядку безпечного користування приладом та усвідомлюють пов'язані з цим небезпеки.
14. Не дозволяйте дітям гратися з приладом.
15. Дітям заборонено проводити очищення й користувацьке обслуговування приладу без нагляду.
16. Це прилад класу В групи 2.
Промислове, наукове й медичне обладнання (категорії ISM) групи 2: до групи 2 належить усе обладнання категорії ISM, у якому радіочастотна енергія спеціально генерується та/або використовується як електромагнітне випромінювання для обробки матеріалу, а також обладнання для електроерозійної обробки (категорії EDM) і дугового зварювання. До класу В належить обладнання, придатне для використання в побутових приміщеннях і на об'єктах, під'єднаних безпосередньо до мережі електропостачання низької напруги, яка живить будівлі, призначені для побутових потреб.

УСТАНОВЛЕННЯ

1. Вийміть пакувальний матеріал із мікрохвильової печі й ретельно перевірте її на наявність пошкоджень. Зокрема:
чи є на корпусі печі ознаки ударів або сильного тиску;
чи плоскі дверцята печі, чи гладкий і гнучкий перемикач;
чи зігнута або деформована металева ізоляційна сітка на дверцятах печі;
чи ослаблений кабель живлення.

У разі виявлення будь-якої із зазначених вище проблем, негайно зверніться до дилера або нашого спеціалізованого відділу технічного обслуговування.

2. Мікрохвильову піч потрібно розташувати на рівній поверхні у вентиляваному й сухому приміщенні без корозійного середовища, а також подалі від зон із високими температурами й випаровуваннями.

3. Не кладіть на піч жодних предметів. Щоб мати достатній простір для циркуляції повітря, виріб слід розташувати на висоті 85 см над підлогою. Відстань між боковими частинами мікрохвильової печі та стіною має становити щонайменше 5 см. Відстань між задньою частиною печі та стіною має становити принаймні 10 см. Відстань від верхньої настінної шафи має бути щонайменше 20 см.

4. Мікрохвильова піч має бути розташована подалі від телевізора, радіопристрою та антени (зазвичай на відстані більше 5 м), інакше її функціонування спричинить виникнення завад.

5. Мікрохвильову піч слід установити в такому місці, де зручно під'єднувати кабель живлення та гарантується належне

заземлення. У разі витоку току може бути сформований заземлювальний провідник.

Струмівий контур запобігає ураженню електричним струмом.

6. Під час експлуатації мікрохвильової печі її дверцята мають бути обов'язково зачинені.

7. Не розташовуйте мікрохвильову піч у шафі.

8. Під час першого робочого нагрівання мікрохвильової печі часто може з'являтися сторонній запах або навіть білий дим, оскільки в камері печі або на нагрівальній трубці можуть бути залишки матеріалів або змащувальних речовин, що накопичилися в процесі виробництва. Це доволі розповсюджене й нормальне явище. Надалі це не відбудуватиметься. Щоб провітрити приміщення, відчиніть двері й вікна.

ОЧИЩЕННЯ

ДОГЛЯД ЗА МІКРОХВИЛЬОВОЮ ПІЧЧЮ

ОБЕРЕЖНО!

Піч слід регулярно очищати, зокрема від усіх залишків харчових продуктів.

УВАГА!

1. Перед очищенням від'єднайте кабель живлення від настінної розетки. Під час очищення не занурюйте прилад у воду або інші рідини.

2. Недотримання чистоти печі може призвести до погіршення стану її поверхні, скорочення терміну служби приладу й виникнення небезпечної ситуації.

3. У жодному разі не використовуйте мийний засіб інтенсивної дії, бензин, абразивний порошок або металеву щітку для очищення будь-якої частини приладу.

4. Не знімайте кришку хвилеводу.
5. Після тривалого використання в мікрохвильовій печі можуть з'явитися сторонні запахи. Є 3 способи позбутися їх:
 - a. розташуйте в печі чашку з кількома дольками лимона й увімкніть режим нагрівання з високою мікрохвильовою потужністю на 2—3 хвилини;
 - b. поставте чашку червоного чаю в піч і скористайтеся режимом нагрівання з високою мікрохвильовою потужністю;
 - c. покладіть до печі трохи апельсинової цедри й увімкніть режим нагрівання з високою мікрохвильовою потужністю на 1 хвилину.
6. **УВАГА!** Дітям дозволено використовувати піч без нагляду дорослих, лише якщо вони отримали відповідні інструкції з безпечної експлуатації приладу й розуміють небезпеку, пов'язану з неправильними діями.

ПОРАДИ ЩОДО ОЧИЩЕННЯ

Докладні інструкції з очищення ущільнень дверцят, камери й суміжних частин.

Зовнішні поверхні:

протріть корпус вологою м'якою тканиною.

Дверцята:

витріть начисто дверцята й віконце вологою м'якою тканиною;

протріть ущільнювачі дверцят і прилеглі частини, щоб видалити розлиті або розбризкані залишки;

витріть панель керування злегка зволоженою м'якою тканиною.

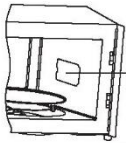
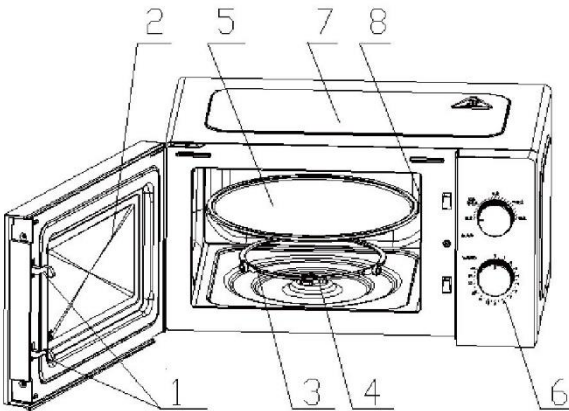
Внутрішні стінки:

витріть начисто камеру вологою м'якою тканиною;

витріть начисто кришку хвилеводу, щоб видалити всі розбризкані залишки їжі.

Поворотна таця / обертальне кільце / вісь обертання:
вимийте м'яким мильним розчином;
промийте чистою водою та залиште для повного висихання.

ІНСТРУКЦІЯ З ЕКСПЛУАТАЦІЇ ВИРОБУ



Copertura della guida d'onda

1) Замок дверцят.

Для можливості експлуатації мікрохвильової печі її дверцята мають бути правильно зачинені.

2) Оглядове віконце.

Дає змогу користувачу перевіряти стан приготування.

3) Обертальне кільце.

Скляну поворотну тацю встановлюють на підставку з коліщатами для збалансованого обертання.

4) Вісь обертання.

Скляна поворотна таця, розташована на осі, обертається за допомогою нижнього електродвигуна.

5) Поворотна таця.

Обертання поворотної таці з продуктами під час експлуатації приладу забезпечує рівномірне приготування їжі.

ОБЕРЕЖНО!

- Спочатку встановіть обертальне кільце.
- Розташуйте поворотну тацю на осі обертання та переконайтеся, що вона належним чином зафіксована за допомогою пазів.

6) Панель керування.

Докладніше див. нижче (виробник може змінювати панелі керування приладів без попереднього повідомлення).

7) Зовнішня кришка.

Використовується як захисне покриття для внутрішніх деталей конструкції та електричних компонентів усього приладу.

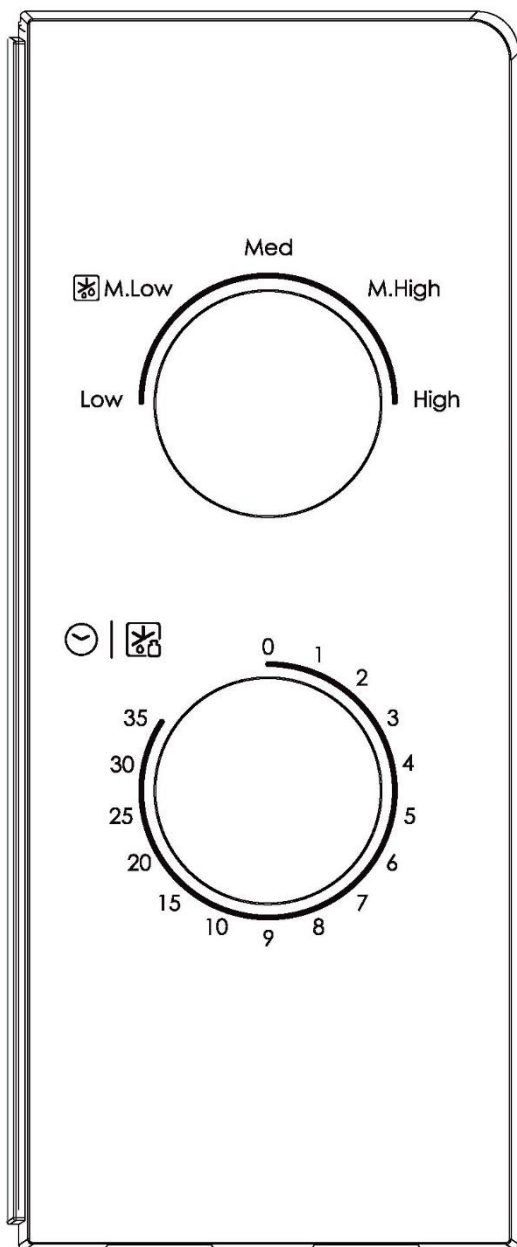
8) Кришка хвилеводу

Вона розташована всередині мікрохвильової печі поруч зі стінкою панелі керування.

УВАГА!

У жодному разі не знімайте кришку хвилеводу

ЕКСПЛУАТАЦІЯ ПАНЕЛІ КЕРУВАННЯ



1. ВИСТАВЛЕННЯ ЧАСУ

Максимально допустиме значення — 35 хвилин. Наприкінці лунає звуковий сигнал, а ручка повертається в положення 0.

2. ФУНКЦІЇ МІКРОХВИЛЬОВОЇ ПЕЧІ

Є п'ять режимів із різною потужністю.

HIGH (Висока потужність)	Вихідна потужність становить 100 %	700 Вт	Швидке приготування
M.High (Вище середньої)	Вихідна потужність становить 80 %	550 Вт	Звичайне приготування
Med (Середня потужність)	Вихідна потужність становить 55 %	390 Вт	Повільне приготування
M.Low (Нижче середньої)	Вихідна потужність становить 30 %	200 Вт	Розморожування продуктів
LOW (Низька потужність)	Вихідна потужність становить 17 %	120 Вт	(Підтримання в нагрітому стані)

Нижче наведено кілька порад щодо тривалості розморожування продуктів.

	Маса	Час розморожування
М'ясо	0,1—1,0 кг	Від 1:30 до 26:00
Птиця	0,2—1,0 кг	Від 2:30 до 22:00
Морепродукти	0,1—0,9 кг	Від 1:30 до 14:00

ЕКСПЛУАТАЦІЯ

1) Під'єднайте кабель живлення.

- Перед під'єднанням кабелю живлення переконайтеся, що таймер установлено в положення 0.
- Не перекривайте вентиляційні отвори.

2) Розташуйте продукти на скляній поворотній таці й зачиніть дверцята.

- Їжа має бути в посудині.

3) Виберіть потрібний рівень потужності.

4) Установіть таймер.

Якщо потрібний час становить менше 10 хвилин, поверніть ручку регулювання потужності в положення, що перевищує 10 хвилин, після чого поверніть її назад для встановлення потрібного налаштування часу.

5) Після встановлення потрібного часу розпочнеться процес приготування. Щоб призупинити процес приготування, просто відчиніть дверцята в будь-який потрібний момент, після чого зачиніть їх для продовження функціонування приладу.

6) Коли мине час приготування, пролунає звуковий сигнал мікрохвильової печі, а її внутрішня лампа автоматично вимкнеться.

Якщо ви вийняли їжу до завершення встановленого часу, обов'язково встановіть таймер у положення 0, щоб уникнути роботи порожньої мікрохвильової печі.

РЕКОМЕНДАЦІЇ ЩОДО ПОСУДУ

Залежно від способу приготування їжі потрібно підібрати безпечний і придатний посуд. Якщо посуд підібрано неправильно, це не лише знизить ефективність приготування їжі, але й спричинить пошкодження застосованих ємностей або мікрохвильової печі. Рекомендації щодо використання див. у таблиці нижче.

Матеріал контейнера	Мікрохвильова піч	Примітки
Термостійка кераміка	Так	У жодному разі не використовуйте керамічний посуд із декоративним металевим обідком або шаром глазури.

Термостійкий пластик	Так	Заборонене тривале використання для приготування їжі в мікрохвильовій печі
Термостійке скло	Так	
Решітка для гриля	Ні	
Поліетиленова плівка	Так	Заборонено використовувати для приготування м'яса або відбивних, оскільки надмірна температура може спричинити пошкодження плівки

ПОРАДИ З ПРИГОТУВАННЯ ЇЖІ

На результат приготування можуть впливати зазначені нижче чинники.

Розташування продуктів

Розташуйте товстіші частини ближче до країв посудини, а тонші — ближче до її центру. Рівномірно розподіляйте всі частини. Намагайтеся не перекривати продукти один одним.

Тривалість приготування

Почніть готувати, установивши короткий період часу. Після його завершення оцініть стан страви. Установіть додатковий час приготування з огляду на фактичну потребу. Занадто тривале приготування може призвести до пригорання страви й появи диму.

Рівномірне приготування їжі

Деякі страви, зокрема курку, гамбургер або стейк, слід перевернути один раз під час приготування.

Якщо це припустимо, перемішайте страву від країв до центру посудини один раз або двічі в процесі приготування.

Страва має настоятися

Після завершення встановленого періоду приготування залиште їжу в печі на деякий час, достатній для доведення страви до готовності та її поступового охолодження.

Ступінь готовності страви

Щоб визначити, чи готова страв, слід звертати увагу на її колір і щільність, зокрема:

- пара має здійматися над усіма частинами страви, а не тільки над її краями;
- страв з птиці має легко відокремлюватися в місцях із суглобами;
- у стравах зі свинини або птиці не має бути сирої крові;
- риба має бути непрозорою та доведеною до такого стану, щоб її можна було легко розділити на частини виделкою.

Посуд для підрум'янювання

У разі використання посуду для підрум'янювання або самонагрівального контейнера обов'язково кладіть під нього термостійкий ізоляційний предмет, зокрема порцелянову тарілку, щоб уникнути пошкодження поворотної таці й оберտального кільця.

Поліетиленова плівка для мікрохвильової печі

Під час приготування страв із високим умістом жиру не допускайте контакту поліетиленової плівки з ними, оскільки вона може розплавитися.

Пластиковий посуд для мікрохвильової печі

Деякий пластиковий посуд, призначений для мікрохвильової печі, може виявитися непридатним для приготування їжі з високим умістом жиру й цукру. Крім того, важливо не перевищувати тривалість попереднього нагрівання, зазначену в інструкції з використання посуду.

ТЕХНІЧНЕ ОБСЛУГОВУВАННЯ

СЕРВІСНЕ ОБСЛУГОВУВАННЯ

Перш ніж звертатися до сервісного центру, виконайте зазначені нижче перевірки.

1. Поставте в піч скляну ємність із приблизно 150 мл води, після чого щільно зачиніть дверцята. Якщо дверцята зачинено правильно, лампочка печі має згаснути. Запустіть робочий режим печі на 1 хвилину.
2. Чи світиться лампочка печі?
3. Чи працює охолоджувальний вентилятор?
(Наблизьте руку до задніх вентиляційних отворів.)
4. Чи обертається поворотна таця?
(Поворотна таця може обертатися за годинниковою стрілкою або проти неї. Це цілком нормально.)
5. Чи нагрілася вода в ємності, що розташована в печі, через 1 хвилину?

Якщо ви відповіли «ні» на будь-яке з наведених вище запитань, перевірте настінну розетку й запобіжник у розподільному щиті.

Якщо настінна розетка й запобіжник справні, **ЗВЕРНІТЬСЯ ДО НАЙБЛИЖЧОГО АВТОРИЗОВАНОГО СЕРВІСНОГО ЦЕНТРУ.**

ЗАПОБІЖНІ ЗАХОДИ, ПОВ'ЯЗАНІ ІЗ СЕРВІСНИМ ОБСЛУГОВУВАННЯМ

Обережно! МІКРОХВИЛЬОВЕ ВИПРОМІНЮВАННЯ

1. **Увага!** Під час роботи в мікрохвильовій печі наявне мікрохвильове випромінювання та виникає висока напруга. Категорично забороняється розбирати її самостійно. Інакше є ризик шкідливої дії на організм. Усі роботи мають виконувати технічні фахівці з обслуговування. Уникайте негативного впливу випромінювання від мікрохвильових генераторів або інших струмопровідних компонентів, пов'язаних із використанням мікрохвильової енергії.

Увага! Під час роботи температура поверхні мікрохвильової печі є дуже високою.

2. Перед сервісним обслуговуванням перелічені нижче деталі потрібно зняти з огляду на доступ до потенціалів понад 250 В на землю:

- магнетрон;
- високовольтний трансформатор;

- високовольтний конденсатор;
- високовольтний діод.

3. Зазначені нижче умови можуть спричинити надмірний негативний вплив мікрохвиль у процесі сервісного обслуговування:

- неправильне встановлення магнетрона;
- неправильне прилаштування блокувальників і петель дверцят;
- неправильне встановлення підпірки перемикача;
- пошкодження дверцят, їхніх ущільнень або корпусу.

Правильна утилізація цього виробу



Цей прилад марковано відповідно до Директиви ЄС 2012/19/EU у рамках Регламенту відходів електричного та електронного обладнання 2013 року щодо електричного та електронного обладнання (WEEE). Відходи електричного та електронного обладнання містять як забруднюючі речовини (що можуть мати негативний вплив на довкілля), так і базові елементи (що можуть бути повторно використані). Важливо, щоб відходи електричного й електронного обладнання зазнали спеціальної обробки для правильного видалення та утилізації забруднювальних речовин, а також для відновлення всіх матеріалів. Окремі люди можуть грати важливу роль у забезпеченні того, щоб відходи електричного та електронного обладнання не стали проблемою для довкілля; необхідно дотримуватися кількох базових правил:

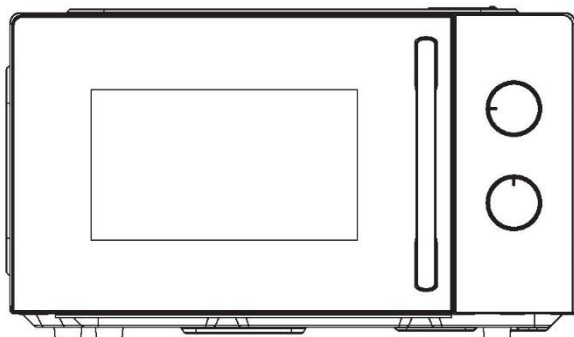
- Із відходами електричного та електронного обладнання не можна поводитися як із побутовим сміттям.

- Відходи електричного та електронного обладнання слід відносити до спеціальних зон збору, що перебувають в управлінні міської ради або зареєстрованої компанії.

У багатьох країнах місцеві програми збирання можуть бути доступні для великого електричного та електронного обладнання. Купуючи новий прилад, можна повернути старий продавцеві, що зобов'язаний безкоштовно прийняти його за принципом «один за один», якщо це обладнання аналогічного типу і має ті ж функції, що й прилад, який постачає продавець.

CANDY

NAVODILA ZA UPORABO MIKROVALOVNE PEČICE



CMW20SMSLI



PAP

**POMEMBNA VARNOSTNA NAVODILA.
POZORNO PREBERITE IN SHRANITE ZA POZNEJŠO UPORABO.**

Samo za uporabo v gospodinjstvu

SHRANITE TA NAVODILA

POMEMBNI ZAŠČITNI UKREPI

OPOZORILO: Če so vrata ali tesnila vrat poškodovana, pečice ne smete uporabljati, dokler je ne popravi usposobljena oseba.

OPOZORILO: Izvajanje kakršnih koli servisov ali popravil, ki vključujejo odstranjevanje kakršnega koli pokrova, ki zagotavlja zaščito pred izpostavljenostjo mikrovalovni energiji, je nevarno za vse osebe, ki niso usposobljene za to delo. **OPOZORILO:** Tekočih ali drugih živil ne smete segrevati v zaprtih posodah, ker lahko eksplodirajo.

1. Uporabljajte samo pribor, ki je primeren za uporabo v mikrovalovnih pečicah.
2. Med mikrovalovnim kuhanjem niso dovoljene kovinske posode za hrano in pijačo.
3. Pri segrevanju hrane v plastičnih ali papirnatih posodah bodite pozorni, saj lahko pride do vžiga.
4. Mikrovalovna pečica je namenjena segrevanju hrane in pijač. Sušenje hrane ali oblačil in segrevanje grelnih blazinic, copat, gobic, vlažnih krp ter podobnega lahko povzroči nevarnost poškodb, vžiga ali požara.
5. Če opazite dim, izklopite ali iztaknite aparat ter vrata pustite zaprta, da zadušite morebiten ogenj. Segrevanje pijač v mikrovalovni pečici lahko povzroči zapoznelo eruptivno vrenje, zato je pri ravnanju s posodo potrebna previdnost;

6. Vsebino steklenic za hranjenje in kozarcev hrane za dojenčke je treba premešati ali pretresti ter pred uživanjem preveriti temperaturo, da preprečite opekline;
7. Jajc v lupini in celih trdo kuhanih jajc se v mikrovalovnih pečicah ne sme segrevati, saj lahko eksplodirajo tudi po koncu mikrovalovnega segrevanja;
8. Če pečice ne čistite redno, lahko pride do razkrajanja površine, ki lahko negativno vpliva na življenjsko dobo naprave in lahko povzroči nevarne situacije. Mikrovalovna pečica je namenjena za uporabo kot prosto stoječa, vgradna ali v omarici.
9. Aparata ne postavljajte v omarico.
10. Pri odstranjevanju posod iz aparate je treba paziti, da se vrtljivi podstavek ne premakne.
11. Naprave ne čistite s parnim čistilnikom.

Opozorilo: Ko naprava deluje v kombiniranem načinu, naj zaradi nastalih temperatur otroci pečico uporabljajo zgolj pod nadzorom odrasle osebe.



POZOR: VROČA POVRŠINA

12. Če je priključni kabel poškodovan, morate preprečiti morebitna tveganja, zato ga sme nadomestiti samo proizvajalec, njegov servisni agent ali drug kvalificiran serviser.
13. To napravo lahko uporabljajo otroci, starejši od 8 let, in osebe z zmanjšanimi fizičnimi, senzoričnimi ali umskimi zmožnostmi ali s pomanjkanjem izkušenj ter znanja, če so pod ustreznim nadzorom ali so prejeli navodila za varno uporabo naprave in razumejo s tem povezana tveganja.

14. Otroci se z aparatom ne smejo igrati.
15. Otroci ne smejo čistiti naprave in na njej ne smejo izvajati vzdrževalnih del brez ustreznega nadzora.
16. Naprava skupine 2, razreda B

Oprema skupine 2 ISM: skupina 2 vsebuje vso opremo ISM, pri kateri se radiofrekvenčna energija namenoma proizvaja in/ali uporablja v obliki elektromagnetnega sevanja za obdelavo materiala, ter opremo za EDM in obločno varjenje. Oprema razreda B je oprema, primerna za uporabo na lokacijah v stanovanjskih okoljih in ustanovah, neposredno povezanih z nizkonapetostnim napajalnim omrežjem, ki oskrbuje stavbe za gospodinjske namene.

VGRADNJA

1. Odstranite paket iz mikrovalovne pečice in skrbno preverite, ali je mikrovalovna pečica poškodovana. Na primer:

Ali je bilo ohišje pečice izpostavljeno udarcu in kaže znake močnega pritiska.

Ali so vrata pečice ravna in stikalo gladko ter prilagodljivo.

Ali je kovinska izolacijska mreža na vratih pečice upognjena ali deformirana.

Ali je napajalni kabel zrahljan.

Če odkrijete kaj od zgoraj navedenega se takoj obrnite na svojega prodajalca ali naš posebni oddelek za vzdrževanje.

2. Mikrovalovno pečico je treba namestiti na ravno podlago v prezračevano, suho, nekorozivno okolje, stran od visokih temperatur in hlapov.

3. Na vrh pečice ne postavljajte nobenih predmetov. Da bi imeli dovolj prostora za kroženje zraka, je treba izdelek postaviti 85 cm nad tlemi. Razdalja med stranicami mikrovalovne pečice in steno ne sme biti manjša od 5 cm, razdalja med zadnjim delom pečice in steno ne sme biti manjša od 10 cm, razdalja do viseče omarice pa ne sme biti manjša od 20 cm.

4. Mikrovalovna pečica mora biti stran od televizorja, radia in antene (običajno več kot 5 m), sicer bo povzročala motnje.

5. Mikrovalovno pečico je treba namestiti na mesto, kjer se napajalni kabel lahko zlahka priključi in je zagotovljena ozemljitev. V primeru puščanja se lahko oblikuje ozemljitvena žica.

Trenutna zanka preprečuje električni udar.

6. Poskrbite, da so vrata mikrovalovne pečice med njenim delovanjem zaprta.

7. Mikrovalovne pečice ne postavljajte v omarico.

8. Ob prvi uporabi mikrovalovne pečice se lahko med segrevanjem pojavi vonj in celo dim zaradi ostankov ali masti proizvodnega procesa v notranjosti pečice ali na ogrevalni cevi. To je normalen pojav in se lahko pojavi večkrat. Če se pojavi navedeno, odprite vrata in okna, da poskrbite za dobro prezračevanje.

ČIŠČENJE

NEGA MIKROVALOVNE PEČICE

POZOR

Pečico je treba redno čistiti in odstranjevati morebitne ostanke hrane.

OPOZORILO

1. Pred čiščenjem iztaknite napajalni kabel iz vtičnice. Aparata med čiščenjem ne potaplajte v vodo ali druge tekočine.
2. Če pečice ne čistite redno, lahko pride do razkrajanja površine, ki lahko negativno vpliva na življenjsko dobo aparata in lahko povzroči nevarne situacije.
3. Za čiščenje kateregakoli dela aparata nikoli ne uporabite trdega detergenta, bencina, abrazivnega praška ali kovinske krtače.
4. Ne odstranjujte pokrova vodila valov.
5. Ob dolgotrajni uporabi mikrovalovne pečice se lahko pojavijo nenavadne vonjave. Odpravite jih lahko na naslednje 3 načine:
 - a. Postavite nekaj rezin limone v skodelico, nato segrevajte z visoko močjo mikrovalov 2-3 minute.
 - b. Postavite skodelico rdečega čaja v pečico, nato segrevajte z visoko močjo mikrovalov.
 - c. Postavite pomarančno lupino v pečico in jih segrevajte z visoko močjo mikrovalov 1 minuto.

6. OPOZORILO: Otroci lahko pečico uporabljajo brez nadzora samo, če so jim bila podana ustrezna navodila in lahko pečico uporabljajo na varen način ter razumejo nevarnosti nepravilne uporabe.

NASVETI ZA ČIŠČENJE

Podrobnosti za čiščenje tesnil vrat, notranjosti in sosednjih delov:

Zunanost:

ohišje obrišite z vlažno mehko krpo.

Vrata:

z vlažno mehko krpo obrišite vrata in okno. Obrišite tesnila vrat in sosednje dele, da odstranite morebitne ostanke razlite hrane.

Upravljalno ploščo obrišite z rahlo vlažno mehko krpo. Notranje stene: notranjost očistite z vlažno, mehko krpo.

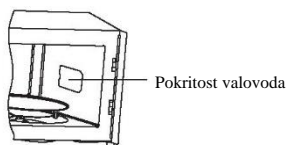
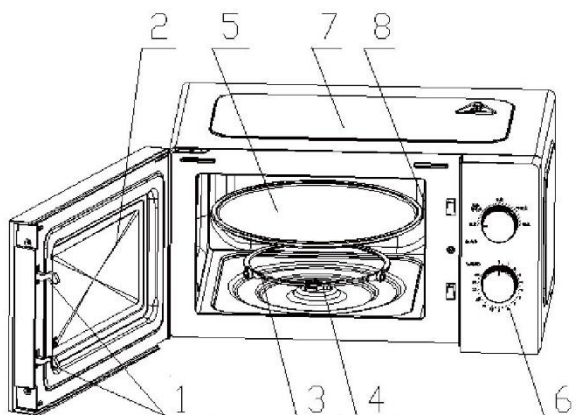
Obrišite pokrov vodila valov, da odstranite morebitne ostanke škropljenja hrane.

Vrtljiva plošča/vrtljivi obroč/vrtljiva os:

operite z blago milnico.

Sperite s čisto vodo in pustite, da se povsem posuši.

NAVODILA ZA IZDELEK



1) Zaklepanje vrat

Vrata mikrovalovne pečice morajo biti pravilno zaprta, da lahko pečica deluje.

2) Kontrolno okno

Uporabniku omogoča, da vidi stanje kuhanja.

3) Vrtljivi obroč

Stekleni vrtljivi podstavek se namesti na kolesa; ta podpirajo vrtljivi podstavek in go pomagajo uravnotežiti med vrtenjem.

4) Vrtljiva os

Stekleni vrtljivi podstavek se namesti na osi; motor pod njo poganja vrtljivi podstavek, da se vrti.

5) Vrtljivi podstavek

Hrana se postavi na vrtljivi podstavek; njegovo vrtenje omogoči enakomerno kuhanje hrane.

POZOR

- Najprej namestite vrtljivi obroč.
- Vrtljivi podstavek namestite na vrtljivo os in se prepričajte, da je ustrezno zataknen.

6) Upravljalna plošča

Podrobnosti si oglejte spodaj (upravljalna plošča se lahko spremeni brez predhodnega obvestila).

7) Zunanji pokrov

Uporablja se za zavijanje in zaščito notranjih konstrukcijskih delov in električnih komponent celotnega stroja.

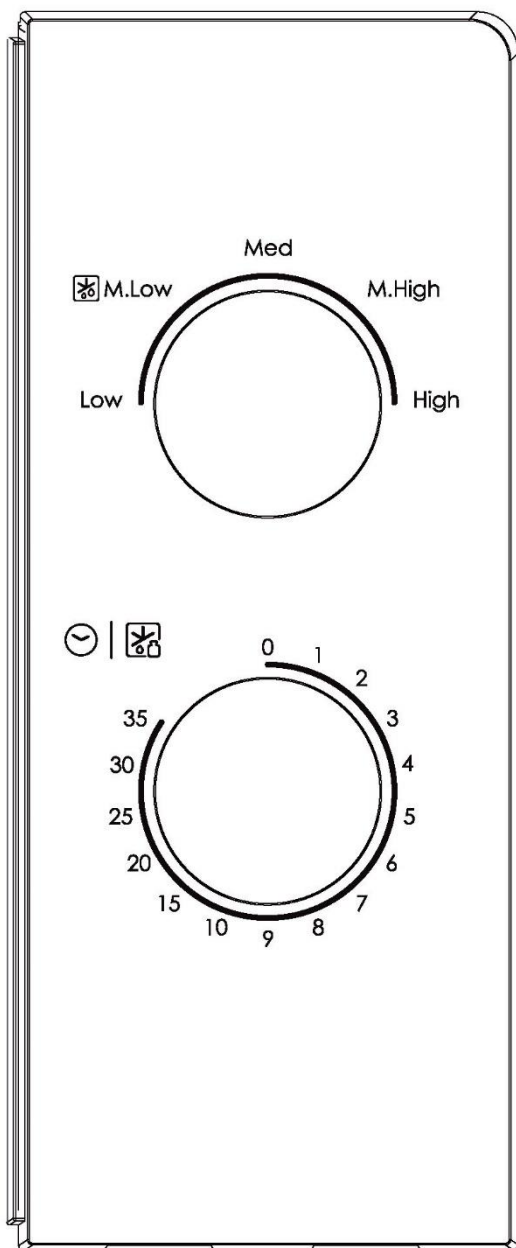
8) Pokrov vodila valov

Ta je v mikrovalovni pečici, poleg stene upravljalne plošče.

OPOZORILO

Nikoli ne odstranite pokrova vodila valov.

UPORABA UPRAVLJALNE PLOŠČE



1. NASTAVITEV URE

Največja nastavitev je 35 minut, na koncu se oglasi melodija zvonjenja, gumb pa se vrne v položaj »0«.

2. FUNKCIJA MIKROVALOVNE PEČICE

Obstaja pet nastavitev moči:

VISOKO	100-odstotna izhodna moč	700 W	(Hitro kuhanje)
Srednje visoko	80-odstotna izhodna moč	550 W	(Običajno kuhanje)
Srednje	55-odstotna izhodna moč	390 W	(Počasno kuhanje)
Sr. nizko	30-odstotna izhodna moč	200 W	(Odmrzovanje hrane)
NIZKO	17-odstotna izhodna moč	120 W	(Ohranjanje toplote)

Spodaj je nekaj nasvetov glede odmrzovanja hrane:

	Teža	Čas odmrzovanja
Meso	0,1~1,0 kg	1:30~26:00
Perutnina	0,2~1,0 kg	2:30~22:00
Morska hrana	0,1~0,9 kg	1:30~14:00

UPORABA

1) Priključite kabel.

- Preden priključite kabel, se prepričajte, da je časovnik nastavljen v položaj »0«.

- Ne blokirajte prezračevanja.

2) Hrano položite na stekleni vrtljivi podstavek in zaprite vrata.

- Hrana mora biti v posodi.

3) Izberite želeno stopnjo moči.

4) Nastavite časovnik.

Če je zeleni čas krajši od 10 minut, obrnite gumb za stopnjo moči v položaj preko 10 minut, nato pa ga obrnite nazaj na zeleno nastavitvev časa.

5) Ko je nastavljen zeleni čas, se kuhanje začne. Če je potreben vmesni premor, preprosto kadarkoli odprite vrata, za nadaljevanje delovanja pa jih zaprite.

6) Ko se čas izteče in se kuhanje konča, mikrovalovna pečica odda zvočni signal, notranja luč pa samodejno ugasne.

Če hrano odstranite pred iztekom časa, poskrbite, da časovnik nastavite nazaj v položaj »0«, da preprečite delovanje prazne mikrovalovne pečice.

VODNIK ZA PRIPOMOČKE

Odvisno od načina kuhanja je treba izbrati varno in primerno posodo. Če je ne izberete pravilno, to ne bo vplivalo le na učinek kuhanja, temveč povzročilo tudi poškodbe posode ali mikrovalovne pečice. Za uporabo glejte spodnjo tabelo:

Material posode	Mikrovalovna pečica	Opombe
Toplotno odporna keramika	Da	Nikoli ne uporabljajte keramike, ki je okrašena s kovinsko obrobo ali glazirana.
Toplotno odporna plastika	Da	Ni mogoče uporabljati za dolgotrajno kuhanje v mikrovalovni pečici.
Toplotno odporno steklo	Da	
Stojalo za žar	Ne	
Plastična folija	Da	Ne sme se uporabljati pri kuhanju mesa ali kotletov, saj lahko previsoka temperatura poškoduje film.

KUHARSKI NASVETI

Na rezultat kuhanja lahko vplivajo naslednji dejavniki:

Razporeditev hrane

Debelejše dele postavite na zunanjo stran krožnika, tanjše dele pa na notranjo stran krožnika ter jih enakomerno razporedite. Po možnosti naj se ne prekrivajo.

Čas kuhanja

Začnite kuhati s kratko nastavljenim časom; po izteku časa ocenite učinkovitost kuhanja in čas podaljšajte glede na dejanske potrebe. Prekomerno kuhanje lahko povzroči dim in zažgano hrano.

Enakomerno kuhanje hrane

Hrano, kot so piščanec, hamburger ali zrezek, je treba med kuhanjem enkrat obrniti.

Odkvisno od vrste hrane jo, če je primerno, med kuhanjem enkrat ali dvakrat premešajte od oboda proti sredini posode.

Zagotovite čas počivanja

Ko se čas kuhanja izteče, hrano dovolj dolgo pustite v pečici; to omogoči, da se cikel kuhanja zaključi in hrana postopoma ohladi.

Ugotavljanje, ali je hrana pripravljena

Barva in trdota hrane pomagata ugotoviti, ali je pripravljena; navedeno vključuje:

- Para, ki prihaja iz vseh delov hrane, ne samo iz roba
- Sklepi perutnine se lahko zlahka premikajo
- Na svinjini ali perutnini ni znakov krvi
- Ribe so neprozorne in jih je mogoče enostavno prerezati z vilicami

Posoda za peko do rjave barve

Pri uporabi posode za peko do rjave barve ali samo-ogrevalne posode podnjo vedno postavite toplotno odporen izolator, kot je porcelanska plošča, da preprečite poškodbe vrtljivega podstavka in vrtljivega obroča.

Plastičen ovoj, primeren za uporabo v mikrovalovni pečici

Pri kuhanju hrane z visoko vsebnostjo maščob preprečite stik plastičnega ovoja s hrano, ker bi se lahko stalila.

Plastična posoda, primerna za uporabo v mikrovalovni pečici

Nekatera plastična posoda, primerna za uporabo v mikrovalovni pečici, morda ni primerna za kuhanje hrane z visoko vsebnostjo maščob in sladkorja. Prav tako ne smete prekoračiti časa segrevanja, navedenega v navodilih za uporabo posode.

VZDRŽEVANJE

SERVISIRANJE

Preden pokličete servis, prosimo, preverite naslednje.

1. V pečico postavite eno stekleno merico vode (pribl. 150 ml) in dobro zaprite vrata. Če so vrata pravilno zaprta, mora luč v pečici ugasniti. Pečico pustite delovati 1 minuto.

2. Ali žarnica pečice sveti?

3. Ali hladilni ventilator deluje?

(Položite roko čez zadnje prezračevalne odprtine.)

4. Ali se vrtljivi podstavek vrti?

(Vrtljivi podstavek se lahko vrti v smeri urinega kazalca ali v nasprotni smeri urinega kazalca. To je povsem normalno.)

5. Ali je voda v pečici po 1 minuti vroča?

Če na katerokoli zgornje vprašanje odgovorite »NE«, preverite stensko vtičnico in varovalko na električnem števcu.

Če tako stenska vtičnica kot varovalka pravilno delujeta, **SE OBRNITE NA NAJBLIŽJI POOBLAŠČENI SERVISNI CENTER.**

ZAŠČITNI UKREPI PRI SERVISIRANJU

Pozor: MIKROVALOVNO SEVANJE

1. **Opozorilo:** V mikrovalovni pečici je mikrovalovno sevanje in visoka napetost. Zaradi preprečitve telesnih poškodb pečice nikakor ne smete razstavljati sami, ampak lahko to storijo izključno vzdrževalni tehniki. Ne izpostavljajte se sevanju mikrovalovnih generatorjev ali drugih komponent, ki prevajajo mikrovalovno energijo.

Opozorilo: Ko mikrovalovna pečica deluje, bo temperatura površine zelo visoka!

2. Med servisiranjem se spodaj navedeni deli lahko odstranijo in omogočijo dostop do potencialov nad 250 V glede na ozemljitev.

- Magnetron
- Visokonapetostni transformator
- Visokonapetostni kondenzator
- Visokonapetostna dioda

3. Naslednji pogoji lahko med servisiranjem povzročijo škodljivo izpostavljenost mikrovalovom.

- Nepravilna vgradnja magnetrona;
- Nepravilno ujemanje ključavnice vrat, tečajev vrat in vrat;
- Nepravilna vgradnja nosilca stikala;
- Vrata, tesnilo vrat ali ohišje so poškodovani.

Pravilno odlaganje aparata



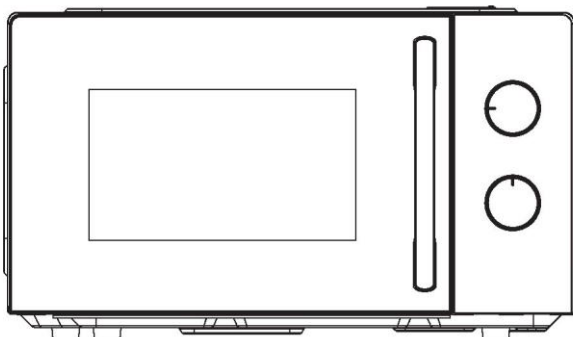
Ta naprava je označena v skladu z evropsko direktivo 2012/19/EU o odpadni električni in elektronski opremi iz leta 2013 (OEEO). OEEO vsebuje onesnaževalne snovi (ki lahko negativno vplivajo na okolje) in osnovne elemente (ki jih je mogoče ponovno uporabiti). Pomembno je, da je OEEO obdelana s posebnimi postopki za pravilno odstranjevanje in odlaganje onesnaževal ter predelavo vseh materialov. Kot posamezniki lahko pomembno vplivamo na to, da OEEO ne postane okoljska težava; upoštevati moramo zgolj nekaj osnovnih pravil:

- z OEEO ne smete ravnati kot z gospodinjskimi odpadki;
- OEEO je treba odpeljati v posebne zbirne centre, ki jih upravlja mestni svet ali registrirano podjetje.

V več državah imajo urejen prevzem kosovnih odpadkov iz gospodinjstev. Ob nakupu nove naprave lahko staro oddate prodajalcu, ki ga je dolžan brezplačno prevzeti po načelu »staro za novo«, če je nova oprema enake vrste in ima enake funkcije kot stara.

CANDY

MIKROVLNNÁ TROUBA NÁVOD K OBSLUZE



CMW20SMSLI



PAP

**DŮLEŽITÉ BEZPEČNOSTNÍ POKYNY
POZORNĚ SI PŘEČTĚTE A USCHOVEJTE
PRO BUDOUCÍ POUŽITÍ**

Pouze pro použití v domácnosti

USCHOVEJTE SI TYTO POKYNY

DŮLEŽITÁ OCHRANNÁ OPATŘENÍ

VAROVÁNÍ: Pokud jsou poškozena dvířka nebo těsnění dvířek, nesmí být trouba provozována, dokud ji neopraví vyškolená osoba.

VAROVÁNÍ: Provádění jakéhokoli servisu nebo oprav, které zahrnují odstranění jakéhokoli krytu chránícího před působením mikrovlnné energie, je pro jinou než vyškolenou osobu nebezpečné. **VAROVÁNÍ:** Tekutiny nebo jiné potraviny se nesmí ohřívat v uzavřených nádobách, protože by mohly vybuchnout.

1. Používejte pouze náčiní vhodné pro mikrovlnné trouby.
2. V mikrovlnné troubě není dovoleno připravovat pokrmy a nápoje v kovových nádobách.
3. Při ohřívání potravin v plastových nebo papírových nádobách sledujte troubu, protože existuje možnost vznícení.
4. Mikrovlnná trouba je určena k ohřívání pokrmů a nápojů. Sušení potravin nebo oblečení a ohřívání ohřívacích podušek, pantoflí, houbiček, vlhkých látek apod. by mohlo vést k riziku zranění, vznícení nebo požáru.
5. Pokud se objeví kouř, vypněte nebo odpojte spotřebič od sítě a nechte dvířka zavřená, abyste udusili případné plameny. Mikrovlnný ohřev nápojů může mít za následek zpožděný prudký var, proto je třeba při manipulaci s nádobou dbát zvýšené opatrnosti;

6. Obsah kojeneckých láhví a dětské výživy ve sklenicích se musí zamíchat nebo protřepat a před krmením je nutné zkontrolovat jeho teplotu, aby se zamezilo popálení;
7. V mikrovlnné troubě by se neměla ohřívat vejce ve skořápkách a celá vejce na tvrdo, protože by mohla vybuchnout, a to i po skončení mikrovlnného ohřevu;
8. Když se trouba nebude udržovat v čistém stavu, mohlo by to vést k narušení povrchu, což by mohlo nepříznivě ovlivnit životnost spotřebiče a případně způsobit nebezpečnou situaci. Mikrovlnná trouba je určena k použití jako volně stojící nebo vestavná či ve skříni.
9. Spotřebič nesmí být umístěn ve skříni.
10. Při vyjímání nádob ze spotřebiče je třeba dávat pozor, aby se neposunul otočný talíř.
11. Spotřebič se nesmí čistit parním čističem.

Varování: Pokud je spotřebič provozován v kombinovaném režimu, měly by děti troubu používat pouze pod dohledem dospělé osoby, a to kvůli teplotám, které v ní vznikají.



POZOR: HORKÝ POVRCH

12. Pokud se poškodí napájecí kabel, výměnu musí provést výrobce nebo jeho servisní zástupce nebo osoby s podobnou kvalifikací, aby se vyloučilo riziko.
13. Tento spotřebič mohou používat děti starší osmi let a osoby s omezenými fyzickými, smyslovými nebo duševními schopnostmi nebo osoby nezkušené a neznalé za předpokladu,

že mají zajištěný dohled nebo byly poučeny o bezpečném používání spotřebiče a chápou související rizika.

14. Děti si se spotřebičem nesmějí hrát.
15. Děti nesmějí provádět čištění a uživatelskou údržbu bez dozoru.
16. Spotřebič skupiny 2 třídy B

Zařízení ISM skupiny 2: skupina 2 zahrnuje všechna zařízení ISM, v nichž se záměrně vytváří a/nebo používá radiofrekvenční energie ve formě elektromagnetického záření pro úpravu materiálu, a zařízení pro elektroerozivní obrábění a obloukové svařování. Zařízení třídy B je zařízení vhodné pro použití v domácnostech a v zařízeních přímo připojených k síti nízkého napětí, která zásobuje budovy používané pro domácí účely.

INSTALACE

1. Vyjměte obal z mikrovlnné trouby a pečlivě ji zkontrolujte, zda není poškozená. Například:

Zda není tělo trouby otřeseno a nevykazuje známky silného tlaku.

Zda nejsou dvířka trouby plochá a zda je spínač je hladký a flexibilní.

Zda není kovové izolační pletivo na dvířkách trouby ohnuté nebo deformované.

Zda není napájecí kabel uvolněný.

Pokud zjistíte některý z výše uvedených nedostatků, neprodleně kontaktujte svého prodejce nebo naše oddělení speciální údržby.

2. Mikrovlnná trouba musí být umístěna naplocho ve větraném, suchém, nekorodujícím prostředí, mimo dosah vysokých teplot a výparů.

3. Na horní část sporáku nepokládejte žádné předměty. Aby byl zajištěn dostatečný prostor pro cirkulaci vzduchu, měl by být výrobek umístěn 85 cm nad zemí. Vzdálenost mezi boky mikrovlnné trouby a stěnou by neměla být menší než 5 cm, vzdálenost mezi zadní částí trouby a stěnou by neměla být menší než 10 cm a vzdálenost od horní stěnové skříňky by neměla být menší než 20 cm.

4. Mikrovlnná trouba by měla být vzdálena od televizoru, rádia a antény (zpravidla více než 5 m), jinak způsobuje rušení.

5. Mikrovlnná trouba by měla být umístěna na místě, kde je možné pohodlně zapojit napájecí kabel a kde je zaručeno dobré uzemnění. V případě úniku může být vytvořen uzemňovací vodič.

Proudová smyčka zabraňuje úrazu elektrickým proudem.

6. Nezapomeňte mikrovlnnou troubu používat

se zavřenými dvířky.

7. Nevkládejte mikrovlnnou troubu do skříně.

8. Při prvním použití mikrovlnné trouby se může při ohřevu často objevit zápach a dokonce i bílý kouř, protože ve vnitřním prostoru nebo na topné trubce jsou zbytky nebo mastnota z výrobního procesu. Jedná se o normální jev. Dbejte na otevřené dveře a okna, aby bylo zachováno dobré větrání.

ČIŠTĚNÍ

PÉČE O MIKROVLNNOU TROUBU

POZOR

Trouba by se měla pravidelně čistit včetně odstraňování veškerých usazenin pokrmů.

VAROVÁNÍ

1. Před čištěním vytáhněte napájecí kabel ze zásuvky.

Při čištění neponořujte spotřebič do vody nebo jiných tekutin.

2. Když se trouba nebude udržovat v čistém stavu, mohlo by to vést k narušení povrchu, což by mohlo nepříznivě ovlivnit životnost spotřebiče a případně způsobit nebezpečnou situaci.

3. K čištění žádné části spotřebiče nikdy nepoužívejte tvrdé čisticí prostředky, benzín, abrazivní prášek nebo kovový kartáč.

4. Neodstraňujte kryt vlnovodu

5. Když se mikrovlnná trouba používá delší dobu, mohou se v ní vyskytovat podivné pachy, kterých se lze zbavit následujícími 3 metodami:

a. Do šálku vložte několik plátků citronu a zahřívejte je při vysokém výkonu po dobu 2–3 minut.

b. Vložte šálek červeného čaje do trouby a zahřejte jej vysokým výkonem.

c. Do trouby vložte pomerančovou kůru a pak ji 1 minutu zahřívejte vysokým výkonem.

6. VAROVÁNÍ: Dětem dovoďte používat troubu bez dozoru pouze tehdy, pokud jim byly poskytnuty odpovídající pokyny, aby byly schopny troubu používat bezpečným způsobem a pochopily nebezpečí plynoucí z jejího nesprávného používání.

TIPY PRO ČIŠTĚNÍ

Podrobnosti o čištění těsnění dvířek, vnitřních prostor a přilehlých částí:

Vnější strana:

Kryt otřete navlhčeným měkkým hadříkem

Dvířka:

Dvířka a okýnko otřete navlhčeným měkkým hadříkem.

Otřete těsnění dvířek a přilehlé části, abyste odstranili případné rozlité nebo rozstříknuté látky.

Ovládací panel otřete mírně navlhčeným měkkým hadříkem

Vnitřní stěny:

Otřete vnitřní prostor navlhčeným měkkým hadříkem.

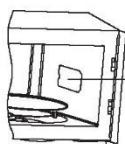
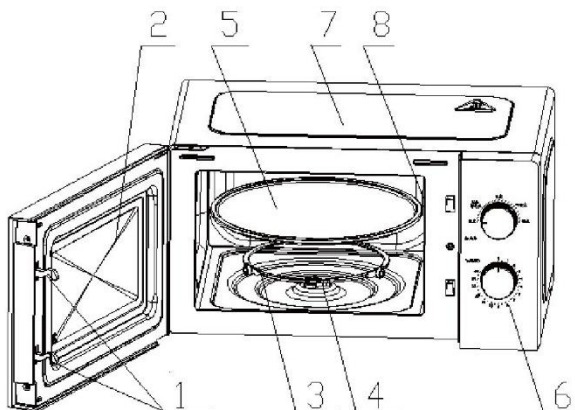
Otřete kryt vlnovodu, abyste z něj odstranili veškeré potraviny

Otočný talíř / otočný kruh / osa otáčení:

Omyjte jemnou mýdlovou vodou

Opláchněte čistou vodou a nechte důkladně vyschnout.

NÁVOD K POUŽITÍ VÝROBKU



Copertura della guida d'onda

1) Zámek dvířek

Dvířka mikrovlnné trouby musí být řádně zavřené, aby fungovala

2) Okýnko

Umožňuje uživateli zjistit stav ohřevu

3) Otočný kruh

Skleněný otočný talíř stojí na kolečkách, která talíř podpírají a pomáhají mu při otáčení udržovat rovnováhu.

4) Otočná osa

Skleněný otočný talíř leží na ose; motor pod ním pohání jeho otáčení.

5) Otočný talíř

Pokrm je umístěn na otočném talíři, jehož otáčení během provozu napomáhá rovnoměrnému ohřevu pokrmu.

POZOR

- Nejprve umístěte otočný kruh
- Nasadte otočný talíř na otočnou osu a zkontrolujte, zda je správně nastavený

6) Ovládací panel

Podrobně viz níže (ovládací panel se může změnit bez předchozího upozornění)

7) Vnější kryt

Používá se k balení a ochraně vnitřních konstrukčních částí a elektrických součástí celého zařízení

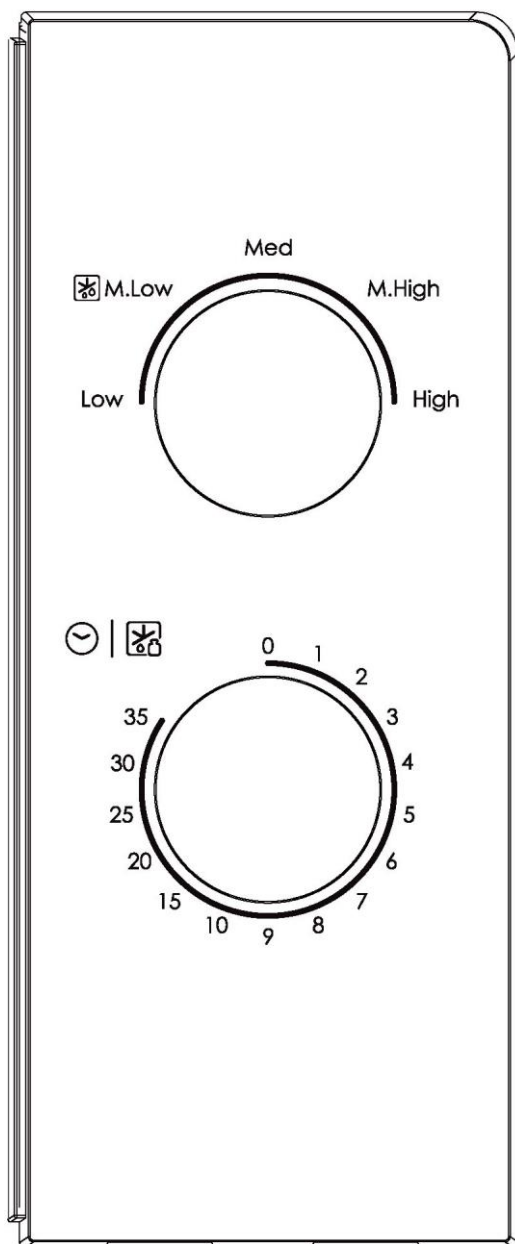
8) Kryt vlnovodu

Nachází se uvnitř mikrovlnné trouby, vedle stěny ovládacího panelu.

VAROVÁNÍ

Kryt vlnovodu nikdy neodstraňujte

OVLÁDÁNÍ OVLÁDACÍHO PANELU



1. NASTAVENÍ HODIN

Maximální nastavení je 35 minut, na konci zazní zvukový signál a knoflík se vrátí do polohy „0“.

2. FUNKCE MIKROVLNNÉ TROUBY

K dispozici je pět úrovní výkonu:

VYSOKÝ	100% výkon	700 W	(rychlé vaření)
Středně vysoký	80% výkon	550 W	(normální vaření)
Střední	55% výkon	390 W	(pomalé vaření)
Středně nízký	30% výkon	200 W	(rozmrazování potravin)
NÍZKÝ	17% výkon	120 W	(udržování teplého pokrmu)

Níže uvádíme několik rad ohledně doby rozmrazování potravin:

	Hmotnost	Doba rozmrazování
Maso	0,1 ~ 1,0 kg	1:30~26:00
Drůbež	0,2 ~ 1,0 kg	2:30~22:00
Mořské plody	0,1 ~ 0,9 kg	1:30~14:00

PŘÍJÍMAČ

1) Připojte kabel

- Před připojením kabelu se ujistěte, že je časovač nastaven do polohy „0“.
- Neblokujte ventilaci.

2) Položte pokrm na skleněný otočný talíř a zavřete dvířka.

- Pokrm musí být vložen v nádobě

3) Vyberte požadovanou úroveň výkonu

4) Nastavte časovač

Pokud je požadovaný čas kratší než 10 minut, otočte knoflíkem do polohy nad 10 minut a poté otočte zpět na požadované nastavení času.

5) Jakmile je nastaven požadovaný čas, zahájí se vaření.

Pokud je potřeba mezi vařením udělat pauzu, stačí kdykoli otevřít dvířka a zavřít je pro obnovení provozu.

6) Po vypršení času a ukončení vaření vydá mikrovlnná trouba zvukový signál a automaticky se vypne i vnitřní světlo.

Pokud je jídlo vyjmuto před vypršením času, nezapomeňte nastavit časovač zpět do polohy „0“, čímž zabráníte provozu prázdné mikrovlnné trouby.

POKYNY PRO NÁDOBÍ

V závislosti na způsobu vaření je nutné zvolit bezpečnou a vhodnou nádobu. Pokud není správně vybrána, ovlivní to nejen účinek vaření, ale způsobí to i poškození nádoby nebo mikrovlnné trouby. Informace o použití naleznete v následující tabulce:

Materiál nádoby	Mikrovlnná trouba	Poznámky
Žárovzdorná keramika	Ano	Nikdy nepoužívejte keramiku, která je zdobena kovovým okrajem nebo glazovaná
Žárovzdorný plast	Ano	Nelze používat pro dlouhodobé vaření v mikrovlnné troubě
Žárovzdorné sklo	Ano	
Grilovací stojan	Ne	
Plastová fólie	Ano	Neměla by se používat při vaření masa nebo kotlet, protože nadměrná teplota může fólii poškodit.

TIPY PRO VAŘENÍ

Výsledek vaření mohou ovlivnit následující faktory:

Uspořádání potravin

Silnější části umístěte směrem k vnější straně misky, tenčí části směrem ke středu a rovnoměrně je rozmístěte. Pokud je to možné, neměly by se překrývat.

Délka doby vaření

Začněte vařit s krátkým nastavením času, po jeho uplynutí jej vyhodnoťte a prodlužte podle aktuální potřeby. Nadměrné vaření může způsobit kouř a spáleniny.

Rovnoměrné vaření jídla

Potravinu, jako je kuře, hamburger nebo steak, by se měly během vaření jednou otočit.

V závislosti na typu pokrmu jej případně během vaření jednou nebo dvakrát promíchejte z vnější strany do středu pokrmu.

Doba na vychladnutí

Po uplynutí doby vaření nechte pokrm v troubě přiměřeně dlouho, aby se dokončil cyklus vaření a postupně vychladl.

Jak poznat hotové jídlo

Barva a tvrdost pokrmu pomáhají určit, zda je hotový, mezi znaky patří:

- Páry vycházející ze všech částí jídla, nejen z okraje
- Klouby drůbeže lze snadno přemístit
- Vepřové nebo drůbeží maso neobsahuje krev
- Ryba je neprůhledná a lze ji snadno nakrájet vidličkou

Gratinovací mísa

Pokud používáte zapékací misku nebo samoohřevnou nádobu, vždy pod ni umístěte tepelně odolný izolátor, například porcelánový talíř, aby nedošlo k poškození otočného talíře a otočného kruhu.

Plastová fólie vhodná do mikrovlnné trouby

Při přípravě pokrmů s vysokým obsahem tuku nedovolte, aby se plastová fólie dostala do kontaktu s jídlem, protože by se mohla roztavit.

Plastové nádoby vhodné do mikrovlnné trouby

Některé plastové nádoby vhodné do mikrovlnné trouby nemusí být vhodné pro přípravu potravin s vysokým obsahem tuku a cukru. Rovněž nesmí být překročena doba přehřevu uvedená v návodu k použití nádobí.

ÚDRŽBA

SERVIS

Před voláním servisu zkontrolujte následující.

1. Vložte do trouby jeden šálek vody (přibližně 150 ml) ve skleněné odměrce a pevně zavřete dvířka. Kontrolka trouby by měla zhasnout, pokud jsou dvířka správně zavřená. Nechte troubu 1 minutu pracovat.
2. Rozsvítí se kontrolka trouby?
3. Funguje chladicí ventilátor?
(Položte ruku na zadní větrací otvory.)
4. Otáčí se otočný talíř?
(Otočný talíř se může otáčet ve směru hodinových ručiček nebo proti směru hodinových ručiček. To je zcela normální.)
5. Je voda uvnitř trouby po 1 minutě horká?

Pokud je odpovědí na některou z výše uvedených otázek „NE“, zkontrolujte zásuvku a pojistku v elektroměrové skříňce.

Pokud zásuvka i pojistka fungují správně, **OBRAŤTE SE NA NEJBLIŽŠÍ SCHVÁLENÉ SERVISNÍ STŘEDISKO.**

SERVISNÍ ZÁRUKY

Upozornění: MIKROVLNNÉ ZÁŘENÍ

1. **Varování:** V mikrovlnné troubě je mikrovlnné záření a vysoké napětí. S výjimkou techniků údržby je přísně zakázáno provádět demontáž svépomocí, aby nedošlo k poškození lidského těla. Nevystavujte se záření z mikrovlnných generátorů nebo jiných součástí vedené mikrovlnné energie!

Varování: Když je mikrovlnná trouba v provozu, je povrchová teplota velmi vysoká!

2. Během údržby níže uvedené díly mohou být odstraněny a umožňují přístup k potenciálním částem nad 250V k zemi.

- Magnetron
- Vysokonapěťový transformátor
- Vysokonapěťový kondenzátor
- Vysokonapěťová dioda

3. Následující podmínky mohou při servisu způsobit nadměrné vystavení mikrovlnnému záření.

- Nesprávná montáž magnetronu;
- Nesprávné sladění zámku dveří, závěsu dveří a dveří;
- Nesprávná montáž podpěry spínače;
- Dveře, těsnění dvířek nebo kryt jsou poškozené.

Správná likvidace tohoto výrobku



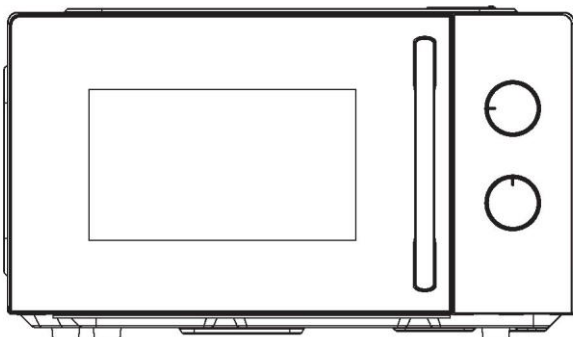
Tento spotřebič je označen v souladu s evropskou směrnicí 2012/19/EU o odpadních elektrických a elektronických zařízeních (OEEZ). OEEZ obsahují jak znečišťující látky (které mohou mít negativní vliv na životní prostředí), tak i základní prvky (které mohou být znovu použity). Je důležité, aby OEEZ podstoupily zvláštní zpracování, aby bylo možné správně odstranit a zlikvidovat znečišťující látky a znovu využít všechny materiály. Jednotlivci mohou hrát významnou roli při ochraně životního prostředí před OEEZ; je nezbytné dodržovat několik základních pravidel:

- s odpadními elektrickými a elektronickými zařízeními se nesmí zacházet jako s domovním odpadem;
- OEEZ by měly být odvezeny do speciálních sběrných dvorů spravovaných místním úřadem nebo registrovanou společností.

V mnoha zemích může být k dispozici vyzvednutí velkých OEEZ u zákazníka. Když koupíte nový spotřebič, můžete starý odevzdat obchodníkovi, který musí bezplatně přijmout jeden starý spotřebič za jeden nový prodaný spotřebič, pokud se jedná o ekvivalentní typ se stejnými funkcemi, jaké má nový zakoupený spotřebič.

CANDY

MIKROVLNNÁ RÚRA NÁVOD NA OBSLUHU



CMW20SMSLI



PAP

**DÔLEŽITÉ BEZPEČNOSTNÉ POKYNY
POZORNE SI HO PREČÍTAJTE A ODLOŽTE
NA POUŽITIE AJ V BUDÚCNOSTI**

Len na použitie v domácnosti

TIETO POKYNY SI STAROSTLIVO ODLOŽTE

DÔLEŽITÉ BEZPEČNOSTNÉ OPATRENIA

VAROVANIE: Ak sú dvierka alebo tesnenia poškodené, rúra sa nesmie používať, kým ju neopraví vyškolená osoba.

VAROVANIE: Pre kohokoľvek iného ako vyškolenú osobu je nebezpečné vykonávať akýkoľvek servis alebo opravu, ktorá zahŕňa odstránenie krytu, ktorý poskytuje ochranu pred vystavením mikrovlnnej energii. **VAROVANIE:** Kvapaliny a iné potraviny sa nesmú ohrievať v uzavretých nádobách, pretože by mohli nádoby prasknúť.

1. Používajte len pomôcky, ktoré sú vhodné na použitie v mikrovlnných rúrach
2. Počas varenia v mikrovlnnej rúre sa na prípravu jedál a nápojov nesmú používať kovové nádoby.
3. Pri zohrievaní potravín v plastových alebo papierových nádobách dávajte pozor, pretože b sa nádoby mohli zapáliť
4. Mikrovlnná rúra je určená na ohrev jedál a nápojov. Sušenie potravín alebo odevov a ohrievanie vyhrievacích podložiek, papúč, špongií, vlhkej utierky a pod. môže viesť k riziku zranenia, vznietenia alebo požiaru.
5. Ak spozorujete dym, vypnite alebo odpojte spotrebič a nechajte dvierka zatvorené, aby ste potlačili akékoľvek plamene. Ohrev nápojov mikrovlnami môže spôsobiť oneskorené vykypenie nápoja, preto treba pri manipulácii s nádobou postupovať opatrne;

6. Obsah dojčenských fliaš a detskej výživy v pohároch sa musí premiešať alebo pretrepať a pred kŕmením dieťaťa treba skontrolovať teplotu jedla, aby sa zabránilo obareniu alebo popáleniu;
7. Vajcia v škrupine a celé vajcia uvarené natvrdo sa nesmú zohrievať v mikrovlnných rúrach, pretože by mohli explodovať, a to aj po skončení zahrievania v mikrovlnnej rúre;
8. Ak by sa rúra neudržiavala v čistote, mohlo by to viesť k poškodeniu povrchu, čo by zase mohlo nepriaznivo ovplyvniť životnosť spotrebiča a ohroziť bezpečnosť. Mikrovlnná rúra je určená na použitie voľne stojaca alebo zabudovaná v skrinke.
9. Spotrebič nesmie byť umiestnený v skrinke
10. Pri vyberaní nádob zo spotrebiča treba dbať na to, aby sa otočný tanier neposunul.
11. Spotrebič sa nesmie čistiť parným čističom.

Varovanie: Ak sa spotrebič používa v kombinovanom režime, vzhľadom na generované vysoké teploty, by ho mali deti používať len pod dohľadom dospeljej osoby.



**UPOZORNENIE: HORÚCI
POVRCH**

12. Ak je poškodený vonkajší napájací kábel, v záujme eliminácie akéhokoľvek rizika ho musí vymeniť výrobca alebo jeho servisný zástupca alebo rovnako kvalifikovaná osoba.
13. Deti staršie ako 8 rokov a osoby s obmedzenými fyzickými, zmyslovými alebo duševnými schopnosťami alebo nedostatkom skúseností či vedomostí môžu tento spotrebič používať pod dohľadom, resp. po poučení a oboznámení sa s bezpeč-

ným spôsobom používania a porozumení možným nebezpečenstvám.

14. Deti sa so spotrebičom nesmú hrať.
15. Čistenie a údržbu nesmú vykonávať deti bez dozoru.
16. Spotrebič skupiny 2 triedy B

Spotrebič ISM skupiny 2: skupina 2 zahŕňa všetky spotrebiče ISM, v ktorých sa zámerne generuje a/alebo používa rádiový frekvenčná energia vo forme elektromagnetického žiarenia na spracovanie materiálu a zariadenia na EDM a oblúkové zvarovanie. Výrobok triedy B je spotrebič vhodný na používanie v domácnostiach a v prostredí priamo pripojeného sieti napájania s nízkym napätím, ktorá zásobuje obytné budovy.

INŠTALÁCIA

1. Mikrovlnnú rúru vybalte a starostlivo skontrolujte,

či nie je poškodená. Ako napríklad:

Či na tele rúry nevidno znaky nárazov a či na ňom nevidno znaky silného tlaku.

Či sú dvierka rúry ploché a spínač nepoškodený a flexibilný.

Či nie ohnutá alebo zdeformovaná kovová izolačná sieť na dvierkach rúry.

Či nie je uvoľnený napájací kábel.

Ak zistíte niektorú z vyššie uvedených skutočností, okamžite kontaktujte svojho predajcu alebo naše špeciálne oddelenie údržby.

2. Mikrovlnná rúra musí byť umiestnená na rovnej ploche vo vetranom, suchom, nekorozívnom prostredí, mimo dosahu vysokých teplôt a výparov.

3. Na vrch rúry nekladte žiadne predmety. Aby bol k dispozícii dostatočný priestor na cirkuláciu vzduchu, spotrebič musí byť umiestnený 85 cm nad zemou. Vzdialenosť medzi bokmi mikrovlnnej rúry a stenou by nemala byť menšia ako 5 cm, vzdialenosť zadnej strany rúry od steny by nemala byť menšia ako 10 cm a od skrinky nad rúrou by nemala byť menšia ako 20 cm.

4. Mikrovlnná rúra by mala byť vzdialená od televízora, rádia a antény (zvyčajne väčšia ako 5 m), inak spôsobí rušenie.

5. Mikrovlnná rúra by mala byť umiestnená na mieste, kde je vhodné zapojiť napájací kábel a je zaručené dobré uzemnenie. V prípade úniku sa môže vytvoriť uzemňovací zvod.

Prúdová slučka zabraňuje úrazu elektrickým prúdom.

6. Nezabudnite, že mikrovlnná rúra sa musí používať so zatvorenými dvierkami.

7. Neumiestňujte mikrovlnnú rúru do skrinky.

8. Pri prvom použití mikrovlnnej rúry, vzhľadom na to, že vnútri rúry alebo na ohrevnom telese mohli ostať zvyšky alebo mazivo z výroby, môže sa počas ohrevu často objaviť zápach a dokonca biely dym. Ide o bežný jav, ktorý sa vyskytuje často. Pri ďalších použitíach sa to nestane, dávajte však pozor na otváranie dverí a okien, aby ste udržali dobré vetranie.

ČISTENIE

STAROSTLIVOSŤ O MIKROVLNNÚ RÚRU



UPOZORNENIE

Rúra by sa mala pravidelne čistiť a mali by sa odstrániť usadené zvyšky potravín.



VAROVANIE

1. Pred čistením vyťahnite napájací kábel zo zásuvky elektrickej siete. Pri čistení neponárajte spotrebič do vody ani iných tekutín.
2. Ak by sa rúra neudržiavala v čistote, mohlo by to viesť k poškodeniu povrchu, čo by zase mohlo nepriaznivo ovplyvniť životnosť spotrebiča a ohroziť bezpečnosť
3. Na čistenie žiadneho dielu spotrebiča nikdy nepoužívajte agresívny čistiaci prostriedok, benzín, abrazívny prášok ani kovovú kefu
4. Neodstraňujte kryt zdroja mikrovlnných vĺn
5. Keď sa mikrovlnná rúra používa dlho, v jej vnútri sa môžu vyskytovať zvláštne pachy, ktoré sa dajú odstrániť nasledujúcimi 3 spôsobmi:

- a. Do šálky vložte niekoľko plátkov citróna a potom 2 - 3 minúty zohrievajte v rúre pri vysokom výkone.
- b. Do rúry vložte šálku červeného čaju a zohrejte pri vysokom výkone.
- c. Do rúry vložte trochu pomarančovej kôry do rúry a zahrejte pri vysokom výkone približne 1 minútu.

6. VAROVANIE: Umožnite deťom používať rúru bez dozoru len vtedy, ak dostali primerané pokyny, aby bolo dieťa schopné používať rúru bezpečným spôsobom a aby pochopilo nebezpečenstvo nesprávneho používania.

TIPY NA ČISTENIE

Podrobnosti o čistení tesnení dvierok, vnútra a susedných dielov:

Exteriér:

Kryt utrite navlhčenou mäkkou handričkou

Dvierka:

Navlhčenou mäkkou utierkou utrite dvierka a okno. Utrite tesnenia dvierok a príslušné časti, aby ste odstránili akékoľvek rozliate alebo vystreknuté zvyšky

Ovládací panel utrite mierne navlhčenou mäkkou handričkou

Vnútorne steny:

Vyčistite vnútro navlhčenou mäkkou handričkou

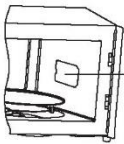
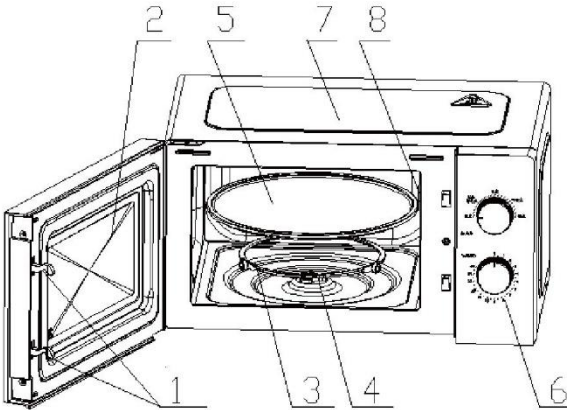
Utrite kryt zdroja mikrovln, aby ste odstránili všetky zvyšky vystreknutého jedla

Otočný tanier/kruh otáčania/os otáčania:

Umyte jemnou vodou so saponátom

Opláchnite čistou vodou a nechajte dôkladne vyschnúť

OBSLUHA SPOTREBIČA



Kryt zdroja mikrovlnných vln

1) Zámka dverí

Aby mohla mikrovlnná rúra fungovať, musia byť dvierka zatvorené

2) Okno dvierok

Umožňuje používateľovi sledovať prípravu jedla

3) Otočný kruh

Sklenený tanier leží na kolieskach, umožňuje otáčanie a pri otáčaní napomáha udržiavať rovnováhu

4) Os otáčania

Sklenený otočný tanier dosadá na os; motor na spodku poháňa otáčanie taniera

5) Otočný tanier

Nádoba s jedlom sa kladie na otočný tanier, jeho otáčanie počas prevádzky umožňuje rovnomerný ohrev jedla



UPOZORNENIE

- Najprv umiestnite otočný kruh
- Nasadte otočný tanier na os otáčania a uistite sa, že zapadol do prevodových drážok

6) Ovládací panel

Podrobnosti nájdete nižšie (vzhľad ovládacieho panela sa môže zmeniť bez predchádzajúceho upozornenia)

7) Vonkajší kryt

Používa sa na zakrytie a ochranu vnútorných konštrukčných dielov a elektrických komponentov celého spotrebiča

8) Kryt zdroja mikrovlnnej energie

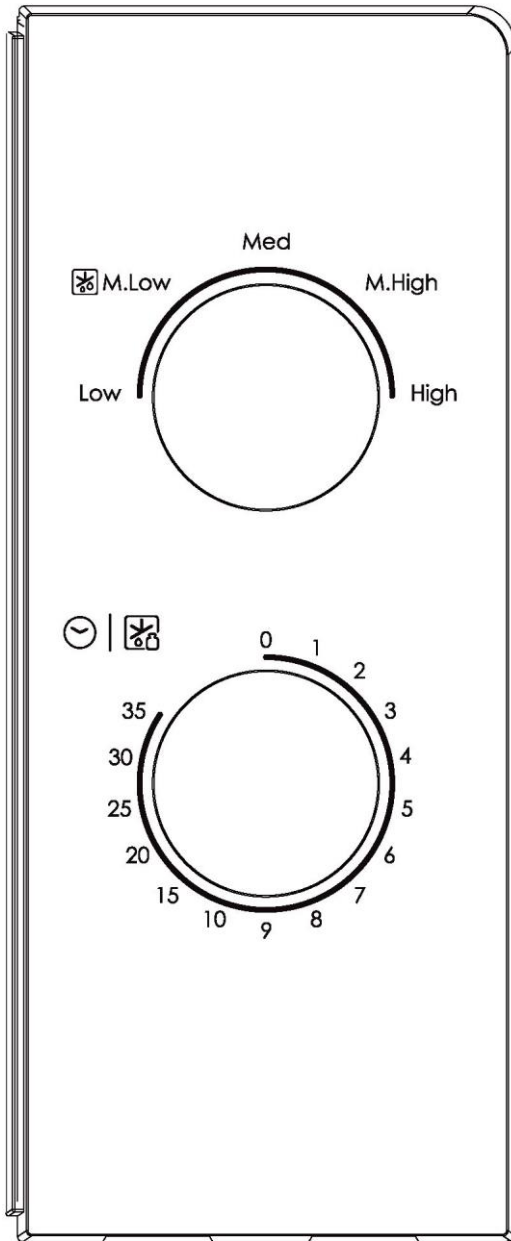
Nachádza sa vnútri mikrovlnnej rúry, vedľa steny ovládacieho panela.



VAROVANIE

Nikdy neodstraňujte kryt zdroja mikrovln

OBSLUHA OVLÁDACIEHO PANELA



1. NASTAVENIE HODÍN

Maximálne nastavenie je 35 minút, na konci zaznie zvonenie a gombík sa vráti do polohy „0“.

2. FUNKCIA MIKROVLNNEJ RÚRY

Existuje päť súborov výkonu:

VYSOKÝ	100 % výstupný výkon	700 W	(Rýchle varenie)
M. vysoký	80 % výstupný výkon	550 W	(Normálne varenie)
Med	55 % výstupný výkon	390 W	(Pomalé varenie)
M.Nízky	30 % výstupný výkon	200 W	(Rozmrazovanie potravín)
NÍZKY	17 % výstupný výkon	120 W	Udržiavanie jedla v teple

Nižšie je niekoľko odporúčaní pre nastavenie doby rozmrazovania potravín:

	Hmotnosť	Doba rozmrazovania
Mäso	0,1 ~ 1,0 kg	1:30~26:00
Hydina	0,2 ~ 1,0 kg	2:30~22:00
Morské plody	0,1 ~ 0,9 kg	1:30~14:00

PREVÁDZKA

1) Pripojte kábel

- Pred pripojením kábla sa uistite, že je časovač nastavený do polohy „0“.
- Nezakrývajte vetracie otvory.

2) Položte jedlo na sklenený otočný tanier a zatvorte dvierka

- Jedlo musí byť vložené do nádoby alebo na tanieri

3) Vyberte požadovanú úroveň výkonu

4) Nastavte časovač

Ak je potrebná doba menej ako 10 minút, otočte gombík výkonu do polohy pre viac ako 10 minút a potom ho vráťte späť na požadované nastavenie času.

5) Ihneď po nastavení času sa začne postup prípravy jedla. Ak by bolo treba prípravu jedla pozastaviť, stačí kedykoľvek otvoriť dvierka a zatvoriť ich, aby ste mohli pokračovať v prevádzke.

6) Po uplynutí doby prípravy jedla zaznie bzučiak mikrovlnnej rúry a zhasne vnútorné osvetlenie.

Ak jedlo vyberiete pred uplynutím nastavenej doby, nezabudnite vrátiť časovač späť do polohy „0“, aby ste zabránili zapnutiu rúry naprázdno.

PRÍRUČKA PRE KUCHYNSKÉ POMÔCKY

V závislosti od spôsobu prípravy jedla treba zvoliť bezpečnú a vhodnú nádobu. Ak nádobu nevyberiete správne, ovplyvní to nielen výsledné jedlo, ale môže to poškodiť nádobu alebo mikrovlnnú rúru. Informácie o pomôckach nájdete v nasledujúcej tabuľke:

Materiál nádoby	Mikrovlny	Poznámky
Keramika odolná voči teplu	Áno	Nikdy nepoužívajte keramiku, ktorá je zdobená kovovým okrajom alebo je glazúrovaná
Tepelne odolný plast	Áno	Nie je možné použiť na dlhodobé varenie v mikrovlnnej rúre
Tepelne odolné sklo	Áno	
Stojan na gril	Nie	
Plastová fólia	Áno	Nemala by sa používať pri príprave mäsa alebo kotliet, pretože nadmerná teplota môže poškodiť fóliu

TIPY NA VARENIE

Nasledujúce faktory môžu ovplyvniť výsledok varenia:

Usporiadanie potravín

Hrubšie časti uložte smerom k okraju misky, tenšie časti smerom k stredu a rovnomerne rozložte. Ak je to možné, kusy neprekrývajte.

Doba prípravy jedla

Začnite variť s krátkym časovým nastavením, po jeho uplynutí jedlo skontrolujte a dobu prípravy podľa potreby predĺžte. Nadmerné varenie môže mať za následok dym a popáleniny.

Rovnomerné varenie jedla

Jedlo, ako je kuracie mäso, hamburger alebo steak, treba počas prípravy raz obrátiť.

V závislosti od typu jedla ho počas prípravy raz alebo dvakrát premiešajte zvonku do stredu misky.

Nechajte jedlo odstáť

Po uplynutí doby varenia nechajte jedlo v rúre primerane dlho, čo umožní dokončenie varenia a postupné ochladenie.

Po dokončení prípravy

Farba a tvrdosť potravín pomáhajú určiť, či je jedlo hotové, pričom:

- Para uniká zo všetkých častí jedla, nielen z okraja
- Kíby hydiny sa ľahko pohybujú
- Z bravčového alebo hydínového mäsa neuniká krvavá šťava
- Ryba je matná a dá sa ľahko deliť vidličkou

Zapekacia misa

Pri použití hnedej zapekacej misy alebo nádoby na pečenie pod ňu vždy umiestnite tepelne odolný izolátor, ako je porcelánový tanier, aby ste predišli poškodeniu otočného taniera a otočného kruhu.

Plastová fólia vhodná do mikrovlnnej rúry

Pri varení jedla s vysokým obsahom tuku nedovoľte, aby sa plastový obal dostal do kontaktu s jedlom, pretože sa môže roztaviť

Plastový riad vhodný do mikrovlnnej rúry

Niektoré kusy plastového riadu vhodné do mikrovlnnej rúry nemusia byť vhodné na varenie jedál s vysokým obsahom tuku a cukru. Nesmie sa prekročiť ani čas predhrievania uvedený v návode na obsluhu riadu.

ÚDRŽBA

SERVIS

Pred zavolaním do servisu skontrolujte nasledujúce informácie.

1. Vlejte jednu šálku vody (približne 150 ml) do sklenenej odmerky v rúre a bezpečne zatvorte dvierka. Ak sú dvierka správne zatvorené, lampa rúry by mala zhasnúť. Nechajte rúru pracovať 1 minútu.

2. Rozsvieti sa lampa rúry?

3. Funguje chladiaci ventilátor?
(Položte ruku na zadné vetracie otvory.)

4. Otáča sa otočný tanier?
(Otočný tanier sa môže otáčať v smere hodinových ručičiek alebo proti smeru hodinových ručičiek. To je úplne normálne.)

5. Je voda vnútri rúry po 1 minúte horúca?

Ak ste na niektorú z vyššie uvedených otázok odpovedali „nie“, skontrolujte zásuvku elektrickej siete a poistku v elektrickej skrinke. Ak zásuvka aj poistka fungujú správne, **POŽIADAJTE O POMOC NAJBLIŽŠIE AUTORIZOVANÉ SERVISNÉ STREDISKO.**

BEZPEČNOSTNÉ OPATRENIA PRI SERVISE

Upozornenie: MIKROVLNNÉ ŽIARENIE

1. **Varovanie:** V mikrovlnnej rúre je mikrovlnné žiarenie a vysoké napätie. Okrem technikov údržby je prísne zakázané demontovať rúru, aby sa predišlo poškodeniu ľudského tela. Nevystavujte sa žiareniu z mikrovlnných zdrojov ani iných komponentov mikrovlnnej energie!

Varovanie: Keď je mikrovlnná rúra v prevádzke, povrchová teplota bude veľmi vysoká!

2. Počas servisu sa nižšie uvedené diely môžu odstrániť, aby umožnili prístup k potenciálom nad 250V k uzemneniu.

- Magnetrón
- Vysokonapäťový transformátor
- Vysokonapäťový kondenzátor
- Vysokonapäťová dióda

3. Nasledujúce podmienky môžu spôsobiť neprimerané vystavenie mikrovlnnej rúry počas servisu.

- Nesprávna montáž magnetrónu;
- Nesprávne zosúladenie blokovania dvierok, závesu dvierok a dvierok;
- Nesprávna montáž podpery spínača;
- Dvierka, tesnenie dvierok alebo kryt boli poškodené.

Správna likvidácia tohto výrobku



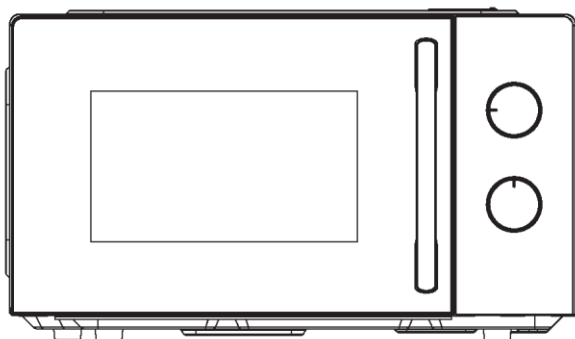
Tento spotrebič je označený v súlade s európskou smernicou 2012/19/EÚ o odpade z elektrických a elektronických zariadení (OEEZ) z roku 2013. OEEZ obsahuje kontaminujúce látky (ktoré môžu mať negatívny vplyv na životné prostredie) a základné prvky (ktoré sa dajú opätovne použiť). Je dôležité, aby sa OEEZ likvidoval správne použitím špecifických postupov s cieľom zaistiť správne odstránenie a likvidáciu všetkých znečisťujúcich látok, ako aj obnovenie ostatných materiálov. Jednotlivci prispievajú výraznou mierou k minimalizácii vplyvov OEEZ na životné prostredie. Bezpodmienečne treba dodržiavať určité základné pravidlá:

- OEEZ sa nesmie spracúvať ako bežný domáci odpad;
- OEEZ treba odovzdávať na príslušných zberných miestach, ktoré sú riadené príslušnou samosprávnou obcou alebo registrovanými spoločnosťami.

V mnohých krajinách je k dispozícii domáci zber veľkých spotrebičov spadajúcich do kategórie OEEZ. V prípade zakúpenia nového spotrebiča môžete vrátiť starý spotrebič maloobchodnému predajcovi, ktorý musí zabezpečiť jeho bezplatný odvoz, pokiaľ ide o spotrebič rovnakého typu s rovnakými funkciami ako zakúpený spotrebič.

CANDY

CUPTOR CU MICROUND MANUAL DE INSTRUCȚIUNI



CMW20SMLI



PAP

**INSTRUCȚIUNI IMPORTANTE DE SIGURANȚĂ
CITIȚI CU ATENȚIE ȘI PĂSTRAȚI PENTRU A PUTEA
CONSULTA PE VIITOR**

Numai pentru uz casnic

PĂSTRAȚI ACESTE INSTRUCȚIUNI

MĂSURI DE PROTECȚIE IMPORTANTE

AVERTISMENT: Dacă ușa sau garniturile ușii sunt deteriorate, cuptorul nu trebuie să fie pus în funcțiune până când nu a fost reparat de o persoană instruită.

AVERTISMENT: Este periculos ca orice altă persoană în afară de o persoană instruită, să efectueze orice operațiuni de service sau reparație care implică îndepărtarea oricărui capac care oferă protecție împotriva expunerii la energia emisă de microunde. **AVERTISMENT:** Lichidele sau alte alimente nu trebuie încălzite în recipiente sigilate, deoarece pot exploda.

1. Utilizați numai ustensile care sunt adecvate pentru utilizarea în cuptoarele cu microunde
2. Recipientele metalice pentru alimente și băuturi nu sunt permise în timpul gătirii la microunde.
3. Când încălziți alimente în recipiente de plastic sau hârtie, supravegheați cuptorul întrucât există posibilitatea aprinderii
4. Cuptorul cu microunde este destinat încălzirii alimentelor și băuturilor. Uscarea alimentelor sau a îmbrăcăminte și încălzirea compreselor termice, papucilor, bureților, cârpei umede și a altor obiecte asemănătoare pot duce la risc de rănire, aprindere sau incendiu.

5. Dacă se observă fum, opriți sau scoateți aparatul din priză și țineți ușa închisă pentru a înăbuși eventualele flăcări provocate de încălzirea cu microunde a băuturilor poate duce la o fierbere eruptivă întârziată, de aceea trebuie să aveți grijă la manevrarea recipientului;
 6. Conținutul biberoanelor și borcanelor cu mâncare pentru copii trebuie amestecat sau agitat, iar temperatura trebuie verificată înainte de a fi consumate pentru a evita arsurile;
 7. Ouăle în coajă și ouăle întregi fierte tari nu trebuie încălzite în cuptoarele cu microunde, deoarece pot exploda chiar și după ce încălzirea la cuptorul cu microunde s-a încheiat;
 8. Dacă nu mențineți cuptorul în condiții igienice optime, există riscul deteriorării suprafeței, fapt ce ar putea afecta negativ durata de viață a aparatului și ar putea duce la o situație de pericol. Cuptorul cu microunde este destinat să fie utilizat independent sau încorporat sau într-un dulap.
 9. Aparatul nu trebuie să fie amplasat într-un dulap
 10. Trebuie să aveți grijă să nu deplasați placa turnantă atunci când scoateți recipientele din aparat.
 11. Aparatul nu trebuie curățat cu un aparat de curățat cu abur.
- Avertizare:** Când aparatul funcționează în modul combinat, ținând cont de temperaturile care se ating, copiii ar trebui să folosească cuptorul numai sub supravegherea unui adult.



ATENȚIE: SUPRAFAȚĂ FIERBINTE

12. În cazul în care cablul de alimentare este deteriorat, acesta trebuie înlocuit de către producător, agentul său de service sau persoane cu calificări similare pentru a evita orice pericol.
13. Acest aparat poate fi utilizat de către copiii cu vârste de minim 8 ani și de către persoanele cu abilități fizice, senzoriale sau mintale reduse sau cu lipsă de experiență sau cunoștințe, cu condiția să fie supravegheate sau instruite corespunzător privind modul de utilizare a acestui aparat în siguranță și să înțeleagă pericolele implicate.
14. Nu lăsați copiii să se joace cu aparatul.
15. Curățarea și întreținerea de către utilizator nu vor fi efectuate de copii fără supraveghere.
16. Aparat din grupa 2, clasa B

Grupa 2 Echipamente ISM: grupa 2 conține toate echipamentele ISM în care energia de radiofrecvență este generată în mod intenționat și/sau utilizată sub formă de radiații electromagnetice pentru tratarea materialelor, precum și echipamentele EDM și de sudură cu arc.

Echipamentele de clasa B sunt echipamente adecvate pentru utilizare în locuințe și în incinte conectate direct la o rețea de alimentare cu energie de joasă tensiune care alimentează clădirile utilizate în scopuri domestice.

INSTALARE

1. Scoateți ambalajul din cuptorul cu microunde și verificați cu atenție dacă acesta nu este deteriorat. Cum ar fi:

În cazul în care corpul cuptorului prezintă urme de șoc și semne de presiune puternică.

Dacă ușa cuptorului este plană, iar comutatorul este neted și flexibil.

Dacă plasa metalică izolatoare de pe ușa cuptorului este îndoită sau deformată.

Dacă este slăbit cablul de alimentare.

Dacă observați oricare dintre semnele de mai sus, vă rugăm să contactați imediat distribuitorul sau departamentul nostru de întreținere specială.

2. Cuptorul cu microunde trebuie așezat plat într-un mediu ventilat, uscat, necoroziv, departe de temperaturi ridicate și de vapori.

3. Nu așezați niciun obiect pe partea superioară a aragazului. Pentru a avea suficient spațiu de circulație a aerului, produsul trebuie amplasat la o înălțime de 85 cm deasupra solului. Distanța dintre părțile laterale ale cuptorului cu microunde și perete nu trebuie să fie mai mică de 5 cm, distanța dintre partea din spate a cuptorului și perete nu trebuie să fie mai mică de 10 cm, iar distanța față de dulapul de sus nu trebuie să fie mai mică de 20 cm.

4. Cuptorul cu microunde trebuie să fie departe de televizor, radio și antenă (în general, la o distanță mai mare de 5 m), în caz contrar, va cauza interferențe.

5. Cuptorul cu microunde trebuie amplasat într-un loc în care cablul de alimentare să fie ușor de conectat, iar împământarea să fie garantată

ca fiind adecvată. În caz de scurgere, se poate forma firul de împământare.

Bucula de curent evită șocurile electrice.

6. Asigurați-vă că folosiți cuptorul cu microunde cu ușa închisă.

7. Nu așezați cuptorul cu microunde în dulap.

8. Când se utilizează cuptorul cu microunde pentru prima dată, deoarece reziduurile sau grăsimea din procesul de fabricație există în cavitatea cuptorului sau pe conducta de încălzire, este posibil să apară adesea miros și chiar fum alb în timpul încălzirii. Acesta este un fenomen normal și a fost folosit de mai multe ori. După aceea, acest lucru nu se va întâmpla, acordați atenție deschiderii ușilor și a ferestrelor pentru a menține o bună ventilație.

CURĂȚAREA

ÎNGRIJIREA CUPTORULUI CU MICROUNDDE

ATENȚIE

Cuptorul trebuie curățat în mod regulat și orice depuneri de alimente trebuie îndepărtate.

AVERTISMENT

1. Scoateți cablul de alimentare din priza de perete înainte de curățare. Nu scufundați aparatul în apă sau în alte lichide atunci când îl curățați.

2. Dacă nu mențineți cuptorul în condiții igienice optime, există riscul deteriorării suprafeței, fapt ce ar putea afecta negativ durata de viață a aparatului și ar putea duce la o situație de pericol

3. Nu folosiți niciodată detergent dur, benzină, praf abraziv sau o perie metalică pentru a curăța orice parte a aparatului
4. Nu îndepărtați capacul ghidului de unde
5. Când cuptorul cu microunde a fost folosit pentru o perioadă de timp îndelungată, pot exista unele mirosuri ciudate în cuptor, urmați 3 metode pentru a scăpa de ele:
 - a. Se pun câteva felii de lămâie într-o ceașcă, apoi se încălzește cu Micro Power la putere mare timp de 2-3 min.
 - b. Se pune o ceașcă de ceai roșu în cuptor, apoi se încălzește la putere de microunde.
 - c. Puneți în cuptor niște coji de portocale, apoi încălziți-le cu Micro Power la putere mare timp de 1 minut.
6. AVERTISMENT: Permiteți-le copiilor să folosească cuptorul fără supraveghere numai atunci când au fost date instrucțiuni adecvate, astfel încât copilul să poată utiliza cuptorul în condiții de siguranță și să înțeleagă pericolele unei utilizări necorespunzătoare.

SFATURI PENTRU CURĂȚARE

Detalii pentru curățarea garniturilor ușilor, a cavității și a pieselor adiacente:

Exterior:

Ștergeți carcasa cu o cârpă moale umezită

Ușă:

Folosind o cârpă moale umezită, curățați ușa și fereastra

Ștergeți garniturile de etanșare ale ușii și piesele adiacente pentru a îndepărta orice scurgere sau stropi

Ștergeți panoul de comenzi cu o cârpă moale ușor umezită

Pereții interiori:

Curățați cavitatea cu o cârpă moale umezită

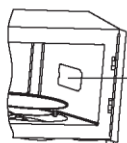
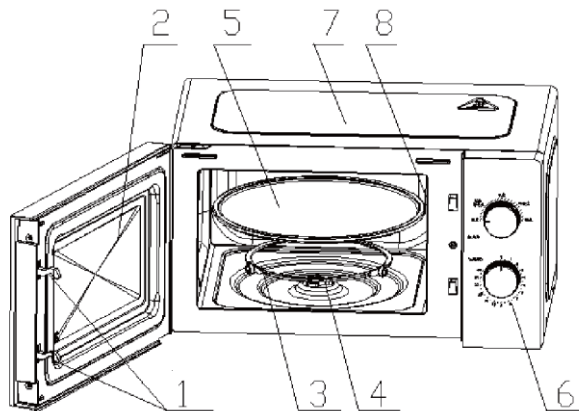
Ștergeți capacul ghidului de unde pentru a îndepărta orice fel de stropi de mâncare

Placă turnantă/ Inel rotativ/ Axă rotativă:

Spălați cu apă cu săpun neutru

Clătiți cu apă curată și lăsați să se usuce bine

INSTRUCȚIUNI PRIVIND PRODUSUL



Copertura della guida d'onda

1) Blocare uşă

Uşa cuptorului cu microunde trebuie să fie închisă corespunzător pentru ca acesta să funcţioneze

2) Fereastra de vizualizare

Permiteţi-i utilizatorului să vadă starea gătitului

3) Inelul rotativ

Placa rotativă din sticlă este aşezată pe roţile sale; acestea susţin placa turnantă şi o ajută să se echilibreze atunci când se roteşte

4) Axa rotativă

Placa rotativă din sticlă este aşezată pe axă; motorul de dedesubt acţionează placa rotativă pentru a se roti

5) Placa rotativă

Alimentele sunt aşezate pe placa rotativă, rotaţia acesteia în timpul funcţionării ajută la gătit uniformă a alimentelor



ATENŢIE

- Aşezaţi mai întâi inelul rotativ
- Montaţi placa turnantă pe axa rotativă şi asiguraţi-vă că este angrenată corect

6) Panoul de comenzi

Consultaţi detaliile de mai jos (panoul de comenzi se poate modifica fără notificare prealabilă)

7) Capacul exterior

Folosit pentru învelirea şi protejarea pieselor structurale interne şi a componentelor electrice ale întregii maşini

8) Capacul ghidului de unde

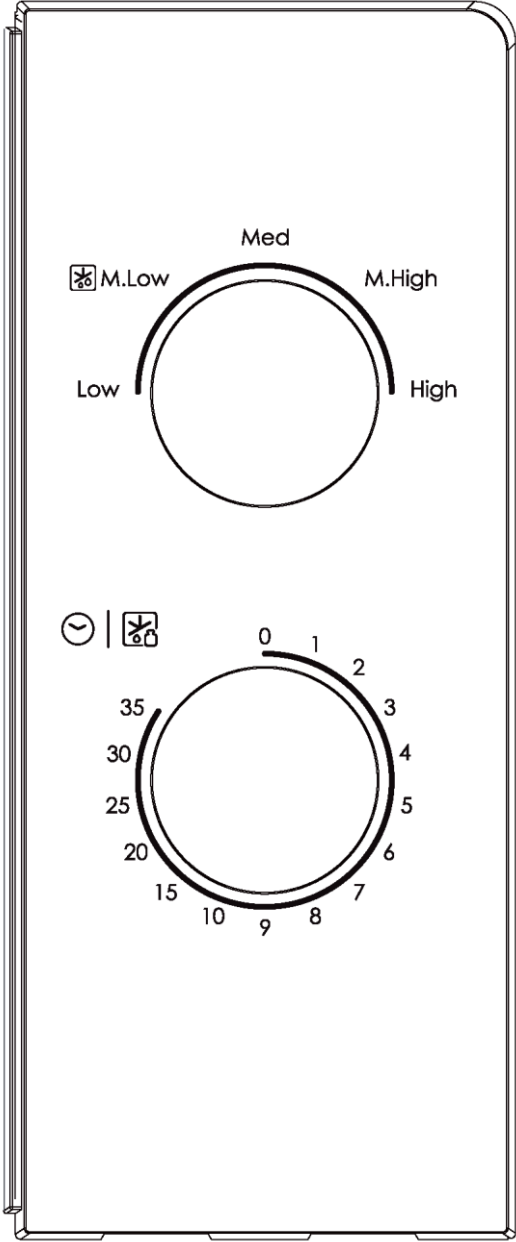
Se află în interiorul cuptorului cu microunde, lângă panoul de comenzi de pe perete.



AVERTISMENT

Nu îndepărtaţi niciodată capacul ghidului de unde

FUNȚIONAREA PANOULUI DE COMENZI



1. SETAREA OREI

Setarea maximă este de 35 de minute, la sfârșit se emite un ton de apel, iar butonul revine în poziția „0”.

2. FUNCȚIA DE MICROUNDE

Există cinci file cu puterea de încălzire:

RIDICAT	Putere de ieșire 100%	700 W	(Gătire rapidă)
Mediu-înalt	Putere de ieșire 80%	550 W	(Gătire normală)
Med.	Putere de ieșire 55%	390 W	(Gătire lentă)
M.scăzut	Putere de ieșire 30%	200 W	(Dezghețați alimentele)
SCĂZUT	Putere de ieșire 17%	120 W	(Menținere la cald)

Mai jos regăsiți câteva sfaturi privind timpul de decongelare a alimentelor:

	Greutate	Timp de dezghețare
Carne	0,1 ~ 1,0 kg	1:30~26:00
Carne de pasăre	0,2 ~ 1,0 kg	2:30~22:00
Fructe de mare	0,1 ~ 0,9 kg	1:30~14:00

FUNȚIONARE

1) Conectați cablul

- Înainte de a conecta cablul, asigurați-vă că cronometrul este setat pe poziția „0”.
- Nu blocați ventilația.

2) Așezați alimentele pe placa rotativă din sticlă și închideți ușa

- Alimentele trebuie să fie conținute într-o ustensilă

3) Selectați nivelul de putere dorit

4) Setați cronometrul

Dacă timpul dorit este mai mic de 10 minute, rotiți butonul de putere de încălzire în poziția la peste 10 minute și apoi rotiți-l înapoi la setarea de timp dorită.

5) Odată ce este setat timpul dorit, începe procesul de gătire. Dacă este necesară o pauză intermediară, deschideți ușa în orice moment și închideți-o pentru a relua funcționarea.

6) Când se termină timpul și se încheie procesul de gătire, cuptorul cu microunde produce un sunet de clopoțel, iar lampa interioară se va stinge de asemenea automat.

Dacă alimentele sunt scoase înainte de expirarea timpului, asigurați-vă că setați înapoi cronometrul pe poziția „0”, pentru a evita funcționarea cuptorului cu microunde cu o încărcătură goală.

GHID DE USTENSILE

În funcție de metoda de gătit, este necesar să alegeți un recipient sigur și adecvat. Dacă nu este selectat corespunzător, nu numai că va afecta efectul de gătire, dar va provoca și deteriorarea vasului sau a cuptorului cu microunde. Vă rugăm să consultați tabelul de mai jos pentru utilizare:

Materialul recipientului	Cuptor cu microunde	Note
Ceramică rezistentă la căldură	Da	Nu utilizați niciodată vase ceramice decorate cu margine metalică sau de sticlă
Plastic rezistent la căldură	Da	Nu poate fi folosit pentru gătitul la microunde pentru o perioadă îndelungată
Sticlă termorezistentă	Da	
Raft de grill	Nu	
Folie de plastic	Da	Nu trebuie utilizată la gătitul cărnii sau al coteletelor, deoarece temperatura excesivă poate deteriora folia

SFATURI PENTRU GĂTIT

Următorii factori pot afecta rezultatul gătitului:

Disponerea alimentelor

Amplasați zonele mai groase spre exteriorul vasului, iar partea mai subțire spre centru și răspândiți uniform. Nu suprapuneți, dacă este posibil.

Durata timpului de gătire

Începeți să gătiți cu o setare de timp scurt, evaluați-o după ce se termină și prelungiți-o în funcție de necesitățile reale. Gătitul excesiv poate provoca fum și arsuri.

Gătirea uniformă a alimentelor

Alimentele precum puiul, hamburgerii sau friptura trebuie întoarse o dată în timpul gătitului.

În funcție de tipul de alimente, dacă este cazul, se amestecă dinspre exterior spre centrul vasului o dată sau de două ori în timpul gătitului

Permiteți timpul de așteptare

După terminarea timpului de gătire, lăsați alimentele în cuptor pentru o perioadă de timp adecvată, acest lucru permițându-le să își completeze ciclul de gătire și să se răcească în mod treptat

Dacă alimentele sunt gata

Culoarea și duritatea alimentelor ajută la determinarea faptului că sunt gata, acestea includ:

- Aburi care ies din toate părțile alimentelor, nu doar de pe margine
- Articulațiile păsărilor de curte pot fi mutate cu ușurință
- Carnea de porc sau de pasăre nu prezintă urme de sânge
- Peștele este opac și poate fi feliat ușor cu o furculiță

Vas pentru rumenire

Când folosiți un vas de rumenire sau un recipient cu autoîncălzire, amplasați întotdeauna sub acesta un izolator rezistent la căldură, cum ar fi o farfurie de porțelan, pentru a preveni deteriorarea platoului rotativ și a inelului rotativ.

Folie de plastic pentru cuptorul cu microunde

Când gătiți alimente cu un conținut ridicat de grăsimi, nu lăsați folia de plastic să intre în contact cu alimentele, deoarece se poate topi

Vase de gătit din plastic pentru cuptorul cu microunde

Este posibil ca unele vase de gătit din plastic pentru cuptorul cu microunde să nu fie potrivite pentru a găti alimente cu un conținut ridicat de grăsimi și de zahăr. De asemenea, nu trebuie depășit timpul de preîncălzire specificat în manualul de instrucțiuni al vasului.

ÎNTREȚINEREA

ACTIVITĂȚILE DE ÎNTREȚINERE

Vă rugăm să verificați următoarele informații înainte de a apela pentru a solicita servicii.

1. Puneți o cană de apă (aproximativ 150 ml) într-o măsură de sticlă în cuptor și închideți bine ușa. Lampa cuptorului trebuie să se stingă dacă ușa este închisă corespunzător. Lăsați cuptorul să funcționeze timp de 1 min.

2. Se aprinde lampa cuptorului?

3. Funcționează ventilatorul de răcire?

(Puneți mâna peste orificiile de ventilație din spate.)

4. Se rotește placa rotativă?

(Placa rotativă se poate roti în sensul acelor de ceasornic sau în sens antiorar. Acest lucru este foarte normal.)

5. Apa din interiorul cuptorului este fierbinte după 1 minut?

Dacă răspunsul la oricare dintre întrebările de mai sus este „NU”, vă rugăm să verificați priza de perete și siguranța din cutia contorului.

Dacă atât priza de perete, cât și siguranța funcționează corespunzător, CONTACTAȚI CEL MAI APROPIAT CENTRU DE SERVICE APROBAT.

MĂSURI DE PROTECȚIE A ACTIVITĂȚILOR DE ÎNTREȚINERE

Atenție: RADIAȚII CU MICROUND

1. **Avertizare:** În cuptorul cu microunde există radiații de microunde și înaltă tensiune. Cu excepția tehnicienilor de întreținere, este strict interzisă demontarea acestuia de către dvs. pentru a evita vătămările corporale. Nu vă expuneți la radiații de la generatoarele de microunde sau de la alte componente cu energie de microunde condusă!

Avertizare: Când cuptorul cu microunde este în funcțiune, temperatura suprafeței este foarte ridicată!

2. În timpul întreținerii, piesele enumerate mai jos pot fi îndepărtate și pot da acces la potențiale de peste 250 V la pământ.

- Magnetron
- Transformator de înaltă tensiune
- Condensator de înaltă tensiune
- Diodă de înaltă tensiune

3. Următoarele condiții pot cauza o expunere nejustificată la microunde în timpul întreținerii.

- Montarea necorespunzătoare a magnetronului;
- Potrivirea necorespunzătoare a dispozitivului de blocare a ușii, a balamalei ușii și a ușii;
- Montarea necorespunzătoare a suportului comutatorului;
- Ușa, garnitura de etanșare a ușii sau carcasa a fost deteriorată.

Eliminarea corectă a acestui produs



Acest aparat este etichetat în conformitate cu Directiva Europeană 2012/19/UE privind Reglementările privind deșeurile de echipamente electrice și electronice 2013 privind aparatele electrice și electronice (DEEE). DEEE conține substanțele poluante (care pot avea un efect negativ asupra mediului) și elementele de bază (care pot fi reutilizate). Este important ca DEEE să fie supuse tratamentelor specifice pentru a îndepărta și elimina corect substanțele poluante și a recupera toate materialele. Persoanele pot juca un rol important în a asigura că DEEE nu devin o problemă de mediu: este vital să urmați câteva dintre regulile de bază:

- DEEE nu trebuie tratate drept deșeuri casnice;
- DEEE trebuie duse în zone de colectare dedicate, gestionate de primărie sau de o companie autorizată.

În multe țări, colectările domestice pot fi disponibile pentru DEEE de dimensiuni mari. atunci când cumpărați un aparat nou, cel vechi poate fi returnat la distribuitorul care trebuie să îl accepte gratuit câte unul, atât timp cât aparatul este de tip echivalent și are aceleași funcții ca și aparatul achiziționat.