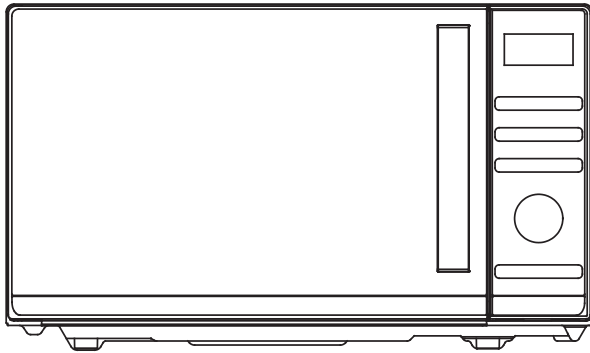


# Microwave Oven Instructions



Model: CMWA23TNDB

Please read these instructions carefully before installing and operating the oven.

# CONTENT

<b>CONTENT</b> .....	<b>1</b>
<b>PRECAUTIONS TO AVOID POSSIBLE EXPOSURE TO EXCESSIVE MICROWAVE ENERGY</b> .....	<b>2</b>
<b>IMPORTANT SAFETY INSTRUCTIONS</b> .....	<b>2</b>
<b>INSTALLATION GUIDE</b> .....	<b>5</b>
<b>GROUNDING INSTRUCTIONS</b> .....	<b>6</b>
<b>RADIO INTERFERENCE</b> .....	<b>6</b>
<b>BEFORE CALLING FOR SERVICE</b> .....	<b>6</b>
<b>COOKING TECHNIQUES</b> .....	<b>7</b>
<b>COOKING UTENSILS GUIDE</b> .....	<b>7</b>
<b>SPECIFICATIONS</b> .....	<b>8</b>
<b>PRODUCT DIAGRAM</b> .....	<b>8</b>
<b>CONTROL PANEL</b> .....	<b>9</b>
<b>OPERATION INSTRUCTIONS</b> .....	<b>10</b>
SETTING THE CLOCK .....	10
EXPRESS COOKING .....	10
MICROWAVE COOKING .....	11
AUTO DEFROST .....	11
SPEED DEFROST .....	11
MULTISTAGE COOKING .....	12
AUTO CLEAN .....	12
PRESET .....	12
CHILD LOCK .....	12
AUTO COOK .....	13
<b>CLEANING AND CARE</b> .....	<b>15</b>

# PRECAUTIONS TO AVOID POSSIBLE EXPOSURE TO EXCESSIVE MICROWAVE ENERGY

1. Do not attempt to operate this oven with the door open since open-door operation can result in harmful exposure to microwave energy. It is important not to defeat or tamper with the safety interlocks.
2. Do not place any object between the oven front face and the door or allow soil or cleaner residue to accumulate on sealing surfaces.
3. Do not operate the oven if it is damaged. It is very important that the oven door close properly and that there is no damage to the
  - a) Door (including any bent),
  - b) Hinges and latches (broken or loosened),
  - c) Door seals and sealing surfaces.
4. The oven should not be adjusted or repaired by anyone except qualified service personnel.

# IMPORTANT SAFETY INSTRUCTIONS

When using electrical appliance basic safety precautions should be followed, including the following:

**WARNING!**--To reduce the risk of burns, electric shock, fire, injury to persons or exposure to excessive microwave energy:

1. Use this appliance only for its intended use as described in the manual. Do not use corrosive chemicals or vapors in this appliance. This type of oven is specifically designed to heat, cook or dry food. It is not designed for industrial or laboratory use.
2. Do not operate the oven when empty.
3. Do not operate this appliance if it has a damaged cord or plug, if it is not working properly, or if it has been damaged or dropped. If the supply cord is damaged, it must be replaced by the manufacturer or its service agent or a similarly qualified person in order to avoid a hazard.
4. **WARNING!**--Only allow children to use the oven without supervision when adequate instructions have been given so that the child is able to use the oven

- in a safe way and understands the hazards of improper use.
5. To reduce the risk of fire in the oven cavity:
    - When heating food in plastic or paper container, keep an eye on the oven due to the possibility of ignition.
    - Remove wire twist-ties from paper or plastic bags before placing bag in oven.
    - If smoke is observed, switch off or unplug the appliance and keep the door closed in order to stifle any flames.
    - Do not use the cavity for storage purposes. Do not leave paper products, cooking utensils, or food in the cavity when not in use.
    - The microwave oven is intended for heating food and beverages. Drying of food or clothing and heating of warming pads, slippers, sponges, damp cloth and similar may lead to risk of injury, ignition or fire.
  6. **WARNING!**--Liquid or other food must not be heated in sealed containers since they are liable to explode.
  7. Microwave heating of beverages can result in delayed eruptive boiling, therefore care has to be taken when handle the container.
  8. Do not fry food in the oven. Hot oil can damage oven parts and utensils and even result in skin burns.
  9. Eggs in their shell and whole hard-boiled eggs should not be heated in microwave ovens since they may explode even after microwave heating has ended.
  10. Pierce foods with heavy skins such as potatoes, whole squashes, apples and chestnuts before cooking.
  11. The contents of feeding bottles and baby food jars should be stirred or shaken and the temperature should be checked before serving in order to avoid burns.
  12. Cooking utensils may become hot because of heat transferred from the heated food. Potholders may be needed to handle the utensil.
  13. Utensils should be checked to ensure that they are suitable for use in microwave oven.
  14. **WARNING!**--It is hazardous for anyone other than a trained person to carry out any service or repair operation which involves the removal of any cover which gives protection against exposure to microwave energy.
  15. This Microwave complies with EN 55011/CISPR 11, in this standard it belong to Class B Group 2 classification. Group 2 equipment: group 2 contains all ISM RF equipment in which radio-frequency energy in the frequency range 9 kHz to 400 GHz is intentionally generated and used or only used locally, in the form of electromagnetic radiation, inductive and/or capacitive coupling, for the treatment of material, for inspection/analysis purposes, or for transfer of

- electromagnetic energy. Class B equipment is equipment suitable for use in locations in residential environments and in establishments directly connected to a low voltage power supply network which supplies buildings used for domestic purposes.
16. This appliance is not intended for use by persons (including children) with reduced physical, sensory or mental capabilities, or lack of experience and knowledge, unless they have been given supervision or instruction concerning use of the appliance by a person responsible for their safety.
  17. Children should be supervised to ensure that they do not play with the appliance.
  18. The microwave oven is only used in freestanding.
  19. **WARNING!**--Do not install oven over a range cook top or other heat-producing appliance. if installed could be damaged and the warranty would be avoid .
  20. The microwave oven shall not be placed in a cabinet.
  21. **WARNING!**--The appliance and its accessible parts become hot during use.
  22. **WARNING!**--Accessible parts may become hot during use. Young children should be kept away.
  23. During use the appliances becomes hot. Care should be taken to avoid pressing heating elements inside the oven, for cooking ranged and ovens.
  24. The temperature of accessible surfaces may be high when the appliance is operating.
  25. The appliance shall be placed against a wall.
  26. Appliance is not to be used by children or persons with reduced physical, sensory or mental capabilities, or lack of experience and knowledge, unless they have been given supervision or instruction.
  27. **WARNING!**--If the door or door seals are damaged, the oven must not be operated until it has been repaired by a competent person.
  28. The appliances are not intended to be operated by means of an external timer or separate remote-control system.
  29. The microwave oven is for household use only and not for commercial use.
  30. Never remove the distance holder in the back or on the sides, as it ensures a minimum distance from the wall for air circulation.
  31. Please secure the turntable before you move the appliance to avoid damages.
  32. **CAUTION!**--It is dangerous to repair or maintain the appliance by no other than a specialist because under these circumstances the cover have to be removed which assures protection against microwave radiation. This applies to changing the power cord or the lighting as well. Send the appliance in these cases to our service centre.

33. The microwave oven is intended for defrosting, cooking and steaming of food only.
34. Use gloves if you remove any heated food.
35. Caution! Steam will escape, when opening lids or wrapping foil.
36. This appliance can be used by children aged from 8 years and above and persons with reduced physical, sensory or mental capabilities or lack of experience and knowledge if they have been given supervision or instruction concerning use of the appliance in a safe way and understand the hazards involved. Children shall not play with the appliance. Cleaning and user maintenance shall not be made by children unless they are aged from 8 years and above and supervised.
37. If smoke is emitted, switch off or unplug the appliance and keep the door closed in order to stifle any flames.

## INSTALLATION GUIDE

1. Make sure that all the packing materials are removed from the inside of the door.
2. **WARNING!**--Check the oven for any damage, such as misaligned or bent door, damaged door seals and sealing surface, broken or loose door hinges and latches and dents inside the cavity or on the door. If there is any damage, do not operate the oven and contact qualified service personnel.
3. This microwave oven must be placed on a flat, stable surface to hold its weight and the heaviest food likely to be cooked in the oven.
4. Do not place the oven where heat, moisture, or high humidity are generated, or near combustible materials.
5. For correct operation, the oven must have sufficient airflow. Allow 20cm of space above the oven, 10cm at back and 5cm at both sides. Do not cover or block any openings on the appliance. Do not remove feet.
6. Do not operate the oven without glass tray, roller support, and shaft in their proper positions.
7. Make sure that the power supply cord is undamaged and does not run under the oven or over any hot or sharp surface.
8. The socket must be readily accessible so that it can be easily unplugged in an emergency.
9. Do not use the oven outdoors.

# GROUNDING INSTRUCTIONS

This appliance must be grounded. This oven is equipped with a cord having a grounding wire with a grounding plug. It must be plugged into a wall receptacle that is properly installed and grounded. In the event of an electrical short circuit, grounding reduces risk of electric shock by providing an escape wire for the electric current. It is recommended that a separate circuit serving only the oven be provided. Using a high voltage is dangerous and may result in a fire or other accident causing oven damage.

**WARNING!**--Improper use of the grounding plug can result in a risk of electric shock.

Note:

1. If you have any questions about the grounding or electrical instructions, consult a qualified electrician or service person.
2. Neither the manufacturer nor the dealer can accept any liability for damage to the oven or personal injury resulting from failure to observe the electrical connection procedures.

The wires in this cable main are colored in accordance with the following code:

**Green and Yellow = EARTH**

**Blue = NEUTRAL**

**Brown = LIVE**

# RADIO INTERFERENCE

Operation of the microwave oven can cause interference to your radio, TV, or similar equipment. When there is interference, it may be reduced or eliminated by taking the following measures:

1. Clean door and sealing surface of the oven.
2. Reorient the receiving antenna of radio or television.
3. Relocate the microwave oven with respect to the receiver.
4. Move the microwave oven away from the receiver.
5. Plug the microwave oven into a different outlet so that microwave oven and receiver are on different branch circuits.

# BEFORE CALLING FOR SERVICE

Before asking for service, please check each item below:

- Check to ensure the oven is plugged in securely. If not, remove the plug from the outlet, wait 10 seconds, and plug it in again securely.
- Check for a blown circuit fuse or a tripped main circuit breaker. If these seem

to be operating properly, test the outlet with another appliance.

- Check to ensure the control panel is programmed correctly and the timer is set.
- Check to ensure the door is securely closed, engaging the door lock system. If the door is not properly closed, the microwave energy will not flow inside.

IF NONE OF THE ABOVE RECTIFIES THE SITUATION, THEN CONTACT A QUALIFIED TECHNICIAN. DO NOT TRY TO ADJUST OR REPAIR THE OVEN YOURSELF.

## COOKING TECHNIQUES

1. Arrange food carefully. Place thickest areas towards outside of dish.
2. Watch cooking time. Cook for the shortest amount of time indicated and add more as needed. Food severely overcooked can smoke or ignite.
3. Cover foods while cooking. Covers prevent spattering and help foods to cook evenly.
4. Turn foods over once during microwave cooking to speed cooking of such foods as chicken and hamburgers. Large items like roasts must be turned over at least once.
5. Rearrange foods such as meatballs halfway through cooking both from top to bottom and from the center of the dish to the outside.

## COOKING UTENSILS GUIDE

1. Microwave cannot penetrate metal. Only use utensils that are suitable for use in microwave ovens. Metallic containers for food and beverages are not allowed during microwave cooking. This requirement is not applicable if the manufacturer specifies size and shape of metallic containers suitable for microwave cooking.
2. Microwave cannot penetrate metal, so metal utensils or dishes with metallic trim should not be used.
3. Do not use recycled paper products when microwave cooking, as they may contain small metal fragments which may cause sparks and/or fires.
4. Round /oval dishes rather than square/oblong ones are recommend, as food in corners tends to overcook.
5. Narrow strips of aluminum foil may be used to prevent overcooking of exposed areas. But be careful don't use too much and keep a distance of 1 inch (2.54cm) between foil and cavity.

The list below is a general guide to help you select the correct utensils.



Cookware	Microwave Cooking
Heat-Resistant Glass	Yes
Non Heat-Resistant Glass	No
Heat-Resistant Ceramics	Yes
Microwave-Safe Plastic Dish	Yes
Kitchen Paper	Yes
Metal Tray	No
Metal Rack	No
Aluminum Foil & Foil Containers	No

## SPECIFICATIONS

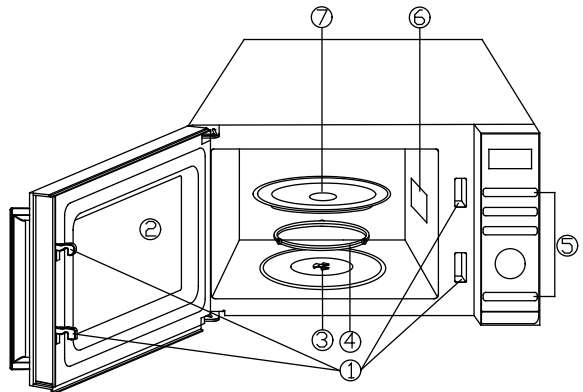
Power Consumption	230V/50Hz, 1400W(microwave)
Output	900W
Operation Frequency	2450MHz
Outside Dimensions	281mm(H)×483mm(W)×389mm(D)
Oven Cavity Dimensions	220mm(H)×340mm(W)×320mm(D)
Oven Capacity	Compact 23 Liters
Net Weight	Approx.13.1kg

## PRODUCT DIAGRAM

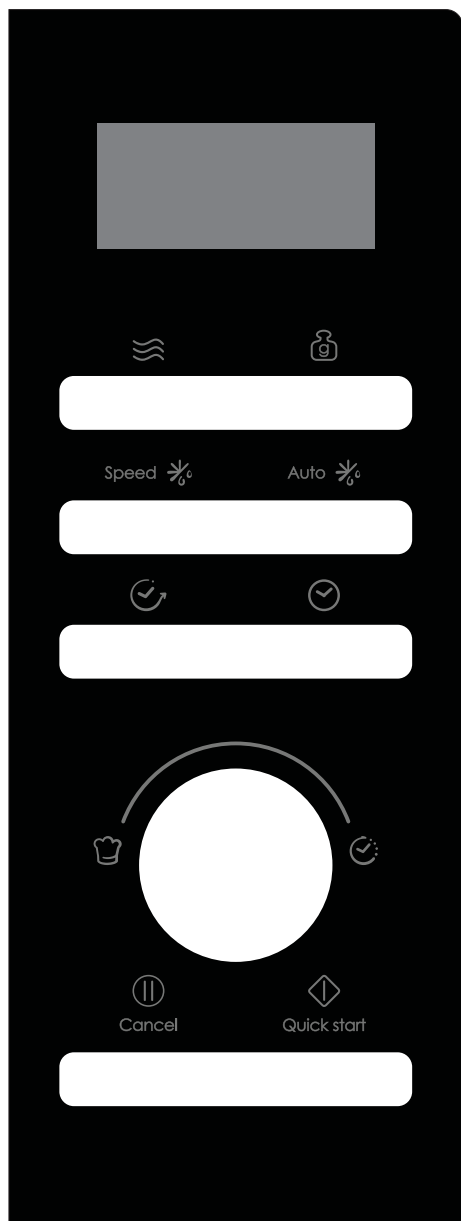
1. Door Safety Lock System
2. Oven Window
3. Shaft
4. Roller Ring
5. Control Panel
6. Wave Guide

(Please do not remove the mica plate covering the wave guide)

7. Glass Tray



# CONTROL PANEL



- **DISPLAY**

Cooking time, power, indicators and clock time are displayed.

- **POWER** 

Press to set microwave cooking power level.

- **WEIGHT ADJUST** 

Press to set food weight or servings.

- **SPEED DEFROST** Speed 

Press to defrost food based on time.

- **AUTO DEFROST** Auto 

Press to defrost food based on weight.

- **PRESET** 

Use to set the oven to start-up at a later time.


- **CLOCK** 

Press to set clock time.

- **MENU/TIME (dial)**  

Turn the dial to select auto cooking menus.

Turn the dial to set time.

- **PAUSE/CANCEL**  Cancel


Press once to temporarily stop cooking, or twice to cancel cooking altogether.

- **START/QUICK START**  Quick start

Press to start cooking and defrosting programs.

Simply press it a number of times to set cooking time and cook immediately at full power level.

# OPERATION INSTRUCTIONS

- When the oven first plugged in, a beep will sound and the display will show " and "1:01".
- In the process of setting, broken about 25 seconds the oven will return to standby mode.
- During cooking, if press PAUSE/CANCEL button once, the program will be paused, then press START/QUICK START button to resume. But if press PAUSE/CANCEL button twice, the program will be cancelled.
- After cooking end, the display will show End and beep will sound every two minutes until user press PAUSE/CANCEL button or open the door.
- In the process of operation, press a valid button, the buzzer rings once, but if press a invalid button, the buzzer rings twice.

## SETTING THE CLOCK

---

This is a 12- or 24- hour clock. You can choose to set the clock time in 12- or 24- hour by pressing CLOCK button in standby mode.

1. In standby mode, press CLOCK button repeatedly to select 12- or 24- hour clock.
2. Turn MENU/TIME dial to set hour digit.
3. Press CLOCK button once.
4. Turn MENU/TIME dial to set minute digit.
5. Press CLOCK button to confirm.

**NOTE:** During cooking, you can check the current clock time by pressing CLOCK button.

## EXPRESS COOKING

---

Use this feature to program the oven to microwave food at 100% power conveniently. In standby mode, press START/QUICK START button repeatedly to set cooking time (each press to increase 30 seconds, and up to 10 minutes), the oven starts cooking immediately at full power. During cooking, you can add cooking time by pressing START/QUICK START button.

## MICROWAVE COOKING

---

1. In standby mode, press POWER button repeatedly to select power level.
2. Turn MENU/TIME dial to set cooking time. The longest time is 95 minutes.
3. Press START/QUICK START button to confirm.

### Select power level by pressing POWER button.

Press POWER button	Power (Display)	Press POWER button	Power (Display)
Once	100% (100)	7 times	40% (40)
Twice	90% (90)	8 times	30% (30)
3 times	80% (80)	9 times	20% (20)
4 times	70% (70)	10 times	10% (10)
5 times	60% (60)	11 times	00% (00)
6 times	50% (50)		

**NOTE:** During cooking, you can check the current cooking power level by pressing POWER button.

## AUTO DEFROST

---

The defrosting time and power level are automatically set once the food weight is programmed. The frozen food weight ranges from 100 g to 1800 g.

1. In standby mode, press AUTO DEFROST button once.
2. Press WEIGHT ADJUST repeatedly to select food weight.
3. Press START/QUICK START button to confirm.

**NOTE:** During defrosting, the system will pause and sound to remind user to turn food over, and then press START/QUICK START button to resume the defrosting.

## SPEED DEFROST

---

1. In standby mode, press SPEED DEFROST button once.
2. Turn MENU/TIME dial to set defrosting time. The longest time is 95 minutes.
3. Press START/QUICK START button to confirm.

**NOTE:** During defrosting, the system will pause and sound to remind user to turn food over, and then press START/QUICK START to resume the defrosting.

## MULTISTAGE COOKING

---

Your oven can be programmed for up to 2 automatic cooking sequences.

Suppose you want to set the following cooking program.

Microwave cooking



Microwave cooking (with lower power level)

1. Input the first microwave cooking program. Do not press START/QUICK START button.
2. Input the second microwave cooking program.
3. Press START/QUICK START button to confirm.

**NOTE:** Express cooking, auto defrost, speed defrost and auto cook menus can't be set in multi-stage cooking.

## AUTO CLEAN (Belongs to AUTO COOK menu)

---

Put a bowl of 300 g water into the oven and close the door.

1. In standby mode, turn MENU/TIME dial anti-clockwise once, and then turn the dial until the display shows "A-14 " and "AUTO".
2. Press WEIGHT ADJUST button once.
3. Press START/QUICK START button to start.

**NOTE:** The cleaning time is 10 minutes.

## PRESET

---

Preset function allows the oven to start up in a later time.

1. Input a cooking program (except express cooking, speed defrost and auto defrost).
2. Press PRESET button once.
3. Turn MENU/TIME dial to set hour digit.
4. Press PRESET button once.
5. Turn MENU/TIME dial to set minute digit.
6. Press START/QUICK START button to confirm.

**NOTE:** When the oven stays in preset state, you can check the preset time by pressing PRESET button once, if press PAUSE/CANCEL button when the display shows the time, the function can be cancelled..

## CHILD LOCK

The child lock prevents unsupervised operation by children.

To enter child lock: In standby mode, if there is not any operation within one minute, the oven will auto enter child lock mode and the lock indicator light will turn on. In the lock state, all buttons are disabled.

To cancel: In child lock mode, open or close the oven door to cancel the program and the lock indicator light will disappear.

## AUTO COOK

For the following food or cooking mode, it is not necessary to program the cooking time and power. It is sufficient to indicate the type of food that you wish to cook as well as the weight or servings of this food.

1. In standby mode, turn MENU/TIME dial anti-clockwise to select food code.
2. Press WEIGHT ADJUST button repeatedly to set food weight or servings.
3. Press START/QUICK START button to confirm.

### Auto cook menus:

Code	Food	Weight/Quantity	Note
A-01	Milk/Coffee/Tea (200 ml/cup, 1-3 cups)	1 cup	The display will show the number of servings instead of food weight
		2 cup	
		3 cup	
A-02	Pizza	150g	
		300g	
		450g	
A-03	Potato	100g	
		200g	
		300g	
A-04	Auto Reheat	200g	
		300g	
		400g	
		500g	
		600g	
		700g	
		800g	
A-05	Fish	200g	
		300g	
		400g	
		500g	
		600g	
A-06	Popcorn	100g	

A-07	Soup	1	200g per serving
		2	
		3	
A-08	Porridge	50g	
		100g	
		150g	
A-09	Fresh vegetable	200g	
		300g	
		400g	
		500g	
		600g	
A-10	Frozen vegetable	200g	
		300g	
		400g	
		500g	
		600g	
A-11	Rice	150g	
		300g	
		450g	
		600g	
A-12	Spaghetti/Pasta	100g	
		200g	
		300g	
A-13	Frozen dinner/meal	250g	
		500g	
A-14	Autoclean/(performance would be the water drop full of the inside of the cavity)		

The result of auto cooking depends on factors such as the shape and the size of food, your personal preferences as to the doneness of certain foods and even how well you happen to place foods in the oven. If you find the result at any rate not quite satisfactory, please adjust the cooking time a little bit accordingly.

# CLEANING AND CARE

1. Turn off the oven and unplug the power cord from the wall when cleaning.
2. Keep the inside of the oven clean. When food splatters or spilled liquids adhere to oven walls, wipe with a damp cloth. Mild detergents may be used if the oven gets very dirty. Avoid using spray or other harsh cleaners. They may stain, streak or dull the door surface.
3. The outside of the oven should be cleaned with a damp cloth. To prevent damage to the operating parts inside the oven, water should not be allowed to seep into the ventilation openings.
4. Wipe the door and window on both sides, the door seals and adjacent parts frequently with a damp cloth to remove any spills or splatters. Do not use abrasive cleaner.
5. A steam cleaner is not be used.
6. Do not allow the control panel to become wet. Clean with a soft, damp cloth. When cleaning the control panel, leave oven door open to prevent oven from accidentally turning on.
7. If steam accumulates inside or around the outside of the oven door, wipe with a soft cloth. This may occur when the microwave oven is operated under high humidity condition. And it is normal.
8. It is occasionally necessary to remove the glass tray for cleaning. Wash the tray in warm sudsy water or in a dishwasher.
9. The roller ring and oven floor should be cleaned regularly to avoid excessive noise. Simply wipe the bottom surface of the oven with mild detergent. The roller ring may be washed in mild, soapy water or in a dishwasher. When removing the roller ring, be sure to replace it in the proper position.
10. Remove odors from your oven by combining a cup of water with the juice and skin of one lemon in a microwaveable bowl. Microwave for 5 minutes. Wipe thoroughly and dry with a soft cloth.
11. If the light bulb burns out, please contact customer service to have it replaced.
12. The oven should be cleaned regularly and any food deposits should be removed. Failure to maintain the oven in a clean condition could lead to deterioration of surface that could adversely affect the life of the unit and could possibly result in a hazardous situation.
13. Please do not dispose of this appliance into the domestic rubbish bin; it should be disposed to the particular disposal center provided by the municipalities.



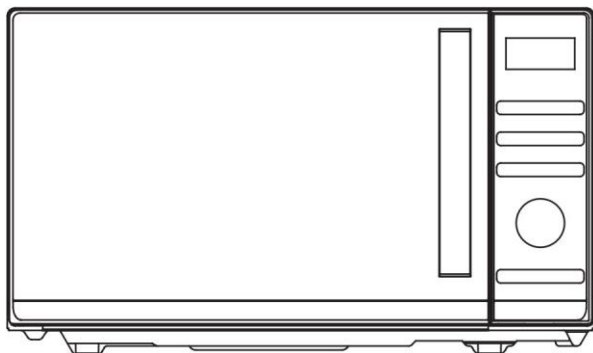


This appliance is labelled in accordance with European Directive 2012/19/EU on Waste Electrical and Electronic Equipment Regulations 2013 regarding electric and electronic appliances (WEEE). The WEEE contain both polluting substances (that can have a negative effect on the environment) and base elements (that can be reused). It is important that the WEEE undergo specific treatments to correctly remove and dispose of the pollutants and recover all the materials. Individuals can play an important role in ensuring that the WEEE do not become an environmental problem; it is essential to follow a few basic rules:

- the WEEE should not be treated as domestic waste;
- the WEEE should be taken to dedicated collection areas managed by the town council or a registered company.

In many countries, domestic collections may be available for large WEEEs. When you buy a new appliance, the old one can be returned to the vendor who must accept it free of charge as a one-off, as long as the appliance is of an equivalent type and has the same functions as the purchased appliance.

# Pokyny pro mikrovlnnou troubu



Model: CMWA23TNDB

Před instalací a obsluhou trouby si pečlivě přečtěte tento návod.

# OBSAH

<b>OPATŘENÍ K ZABRÁNĚNÍ MOŽNÉMU VYSTAVENÍ NADMĚRNÉ MIKROVLNNÉ ENERGII .....</b>	<b>2</b>
<b>DŮLEŽITÉ BEZPEČNOSTNÍ POKYNY .....</b>	<b>2</b>
<b>INSTALAČNÍ PŘÍRUČKA .....</b>	<b>5</b>
<b>POKYNY K UZEMNĚNÍ .....</b>	<b>6</b>
<b>RÁDIOVÉ RUŠENÍ.....</b>	<b>6</b>
<b>PŘED VYŽÁDÁNÍM SLUŽBY .....</b>	<b>6</b>
<b>TECHNIKY VAŘENÍ .....</b>	<b>7</b>
<b>PRŮVODCE KUCHYŇSKÝM NÁČINÍM .....</b>	<b>7</b>
<b>SPECIFIKACE .....</b>	<b>8</b>
<b>OVLÁDACÍ PANEL .....</b>	<b>9</b>
<b>PROVOZNÍ POKYNY .....</b>	<b>10</b>
<b>NASTAVENÍ HODIN .....</b>	<b>10</b>
<b>EXPRESNÍ VAŘENÍ .....</b>	<b>10</b>
<b>MIKROVLNNÉ VAŘENÍ .....</b>	<b>11</b>
<b>AUTOMATICKÉ ODMRAZOVÁNÍ .....</b>	<b>11</b>
<b>RYCHLÉ ROZMRAZOVÁNÍ.....</b>	<b>11</b>
<b>VÍCESTUPŇOVÉ VAŘENÍ .....</b>	<b>12</b>
<b>PŘEDNASTAVENÁ.....</b>	<b>12</b>
<b>DĚTSKÁ POJISTKA .....</b>	<b>12</b>
<b>AUTOMATICKÉ VAŘENÍ .....</b>	<b>13</b>
<b>ČIŠTĚNÍ A PÉČE .....</b>	<b>15</b>

# OPATŘENÍ K ZABRÁNĚNÍ MOŽNÉMU VYSTAVENÍ NADMĚRNÉ MIKROVLNNÉ ENERGII

1. Nepokoušejte se používat tuto troubu s otevřenými dvířky, protože provoz s otevřenými dvířky může mít za následek škodlivé vystavení mikrovlnné energii. Je důležité, abyste neporazili bezpečnostní zámky ani s nimi nemanipulovali.
2. Mezi přední stěnu trouby a dvířka neumísťujte žádné předměty, ani nedovolte, aby se na těsnících plochách hromadila špína nebo zbytky čisticího prostředku.
3. Pokud je trouba poškozená, nepoužívejte ji. Je velmi důležité, aby se dvířka trouby správně zavírala a aby nedošlo k poškození
  - a) Dvířka (včetně jakýchkoli ohnutých),
  - b) Závěsy a západky (prasklé nebo uvolněné),
  - c) Těsnění dvířek a těsnící plochy.
4. Roura by neměla být seřizována ani opravována nikým jiným než kvalifikovaným servisním personálem.

## DŮLEŽITÉ BEZPEČNOSTNÍ POKYNY

Při používání elektrického spotřebiče je třeba dodržovat základní bezpečnostní opatření, včetně následujících:

**UPOZORNĚNÍ!** Pro snížení rizika popálenin, úrazu elektrickým proudem, požáru, zranění osob nebo vystavení nadměrné mikrovlnné energii:

1. Tento spotřebič používejte pouze pro zamýšlené použití, jak je popsáno v návodu. V tomto spotřebiči nepoužívejte korozivní chemikálie ani páry. Tento typ trouby je speciálně určen k ohřevu, vaření nebo sušení potravin. Není určen pro průmyslové nebo laboratorní použití.
2. Neprovodujte troubu, pokud je prázdná.
3. Nepoužívejte tento spotřebič, pokud má poškozený kabel nebo zástrčku, pokud nepracuje správně nebo pokud byl poškozen nebo spadl. Pokud je napájecí kabel poškozen, musí být vyměněn výrobcem, jeho servisním technikem nebo podobně kvalifikovanou osobou, aby se zabránilo nebezpečí.
4. **UPOZORNĚNÍ!** Děti smí používat troubu bez dozoru pouze tehdy, pokud jim byly poskytnuty odpovídající pokyny, aby mohly troubu používat bezpečným

způsobem a pochopily nebezpečí spojené s nesprávným použitím.

5. Pro snížení rizika požáru uvnitř trouby:
  - Při ohřívání potravin v plastových nebo papírových nádobách sledujte troubu kvůli možnosti vznícení.
  - Před vložením sáčku do trouby odstraňte z papíru nebo plastových sáčků drátěné uzávěry.
  - Pokud se vyskytne kouř, ihned vypněte spotřebič a zástrčku vytáhněte ze zásuvky, dvířka nechte otevřená a případný oheň uhasťte.
  - Nepoužívejte vnitřní prostor trouby pro skladování. Nenechávejte uvnitř papírové výrobky, kuchyňské náčiní nebo potraviny, pokud nejsou používány.
  - Mikrovlnná trouba je určena k ohřevu jídla a nápojů. Sušení potravin nebo oděvů a zahřívání nahřívacích polštářků, pantoflí, houbiček, vlhkých látek apod. může vést k nebezpečí zranění, vznícení nebo požáru.
6. **UPOZORNĚNÍ!** Tekutiny nebo jiné potraviny nesmí být zahřívány v uzavřených nádobách, protože mohou explodovat.
7. Mikrovlnné ohřívání nápojů může vést k jejich opožděnému bublajícímu vaření, proto při manipulaci s těmito nápoji dbejte zvýšené opatrnosti.
8. Jídlo v troubě nesmažte. Horký olej může poškodit části trouby a kuchyňské potřeby a dokonce může způsobit popáleniny kůže.
9. Vajíčka ve skořápce a vajíčka vařená natvrdo by se neměla ve spotřebiči ohřívat, protože mohou explodovat i po dokončení mikrovlnného ohřevu.
10. Potraviny s tvrdou kůrou před vařením propíchněte, např. brambory, dýně, jablka a kaštiny.
11. Obsah kojeneckých lahví a lahvíček s dětskou výživou je třeba před použitím promíchat nebo s nimi zatřepat, abyste tak předešli popáleninám.
12. Náčiní na vaření se mohou zahřát v důsledku tepla přenášeného z ohřívaného jídla. Pro manipulaci s náčiním mohou být zapotřebí kuchyňské chňapky.
13. Kuchyňské náčiní je třeba zkontrolovat, aby se zajistilo, že je vhodné k použití v mikrovlnných troubách.
14. **UPOZORNĚNÍ!** Je nebezpečné pro kohokoli jiného než kvalifikovaného opraváře provádět jakýkoli servis nebo opravy, které zahrnují demontáž krytu, který ochraňuje proti expozici mikrovlnné energii.
15. Tato mikrovlnná trouba je v souladu s normou EN 55011/CISPR 11, v této normě patří do třídy B skupiny 2. Zařízení skupiny 2: skupina 2 obsahuje všechna radiofrekvenční zařízení ISM, ve kterých se úmyslně vyrábí a používá radiofrekvenční energie ve frekvenčním rozsahu 9 kHz až 400 GHz, nebo se používá pouze lokálně ve formě elektromagnetického záření, indukčního a/nebo kapacitního spojení na úpravu materiálu, na účely inspekce/analýzy nebo pro přenos elektromagnetické energie. Zařízení třídy B je zařízení vhodné pro použití v obytných prostorách a v zařízeních přímo napojených na nízkonapěťovou elektrickou síť, která napájí budovy používané pro domácí účely.

16. Tento spotřebič nesmějí používat osoby (včetně dětí) se sníženými fyzickými, smyslovými nebo duševními schopnostmi nebo nedostatečnými zkušenostmi a znalostmi, pokud nejsou pod dohledem osoby odpovědné za jejich bezpečnost nebo nebyly touto osobou poučeny ohledně používání spotřebiče.
17. Děti by měly být dohledem, aby se zajistilo, že si se spotřebičem nebudou hrát.
18. Mikrovlnná trouba se používá pouze jako volně stojící.
19. **UPOZORNĚNÍ!** Neinstalujte troubu na horní panel sporáku ani jiné zařízení vydávající teplo. Pokud byla nainstalována, mohla by se poškodit a záruka by byla zrušena.
20. Mikrovlnná trouba nesmí být umístěna ve skříni.
21. **UPOZORNĚNÍ!** Spotřebič a jeho přístupné části se během používání zahřívají na vysokou teplotu.
22. **UPOZORNĚNÍ!** Přístupné části se mohou během používání zahřát. Malé děti by měly být drženy v dostatečné vzdálenosti.
23. Během používání se spotřebiče zahřejí. Dávejte pozor, abyste se nedotkli topných prvků ploténky a na pečení uvnitř trouby.
24. Teplota přístupných povrchů může být při provozu spotřebiče vysoká.
25. Spotřebič musí být umístěn u stěny.
26. Spotřebič nesmí používat děti nebo osoby se sníženými fyzickými, smyslovými nebo duševními schopnostmi nebo s nedostatkem zkušeností a znalostí, pokud nebyly pod dohledem nebo poučeny.
27. **UPOZORNĚNÍ!** Pokud jsou dvířka nebo těsnění dvířek poškozena, trouba nesmí být v provozu, dokud ji neopraví kvalifikovaná osoba.
28. Spotřebiče nejsou určeny k ovládání pomocí externího časovače nebo samostatného systému dálkového ovládání.
29. Mikrovlnná trouba je určena pouze pro použití v domácnosti a ne pro komerční použití.
30. Nikdy neodstraňujte distanční lištu, která se nachází zezadu a na stranách, protože zajišťuje minimální vzdálenost od stěny pro cirkulaci vzduchu.
31. Před přesunem spotřebiče zajistěte otočný talíř, abyste předešli jeho poškození.
32. **POZOR!** Je nebezpečné, jestliže spotřebič opravuje nebo servisuje osoba, která není specialistou, protože za těchto okolností je třeba odstranit kryt, který zajišťuje ochranu před mikrovlnným zářením. To platí i pro výměnu napájecího kabelu nebo osvětlení. Spotřebič v těchto případech odešlete do našeho servisního střediska.
33. Mikrovlnná trouba je určena pouze k rozmrazování, vaření a vaření v páře.
34. Při vybírání jakéhokoli zahřátého jídla používejte rukavice.
35. Pozor! Při otevírání víček nebo balící fólie unikne pára.

36. Tento spotřebič smějí používat děti starší 8 let a osoby se sníženými fyzickými, smyslovými nebo duševními schopnostmi nebo bez patřičných zkušeností a znalostí, pokud jsou pod dohledem osoby odpovědné za jejich bezpečnost, případně byly poučeny o bezpečném používání spotřebiče a rozumějí možným nebezpečím. Děti si se spotřebičem nesmějí hrát. Čištění a údržbu uživatele nesmějí provádět děti, pokud nejsou starší 8 let a nejsou pod dohledem.
37. Pokud ze spotřebiče vychází kouř, vypněte nebo odpojte jej a nechte dvířka zavřená, aby se případné plameny uhasily.

## INSTALAČNÍ PŘÍRUČKA

1. Ujistěte se, že jste z vnitřního prostoru trouby vyjmuli veškerý obalový materiál.
2. **UPOZORNĚNÍ!** Zkontrolujte, zda není trouba nějakým způsobem poškozená, například zda nejsou nevyrovnaná nebo zkřivená dvířka, poškozené nebo uvolněné dveřní závěsy, západky a ozuby uvnitř trouby nebo na dvířkách. Pokud dojde k poškození, troubu nepoužívejte a kontaktujte kvalifikovaný servisní personál.
3. Tato mikrovlnná trouba musí být umístěna na rovném, stabilním povrchu, aby udržela svou hmotnost a nejtěžší potraviny, které mohou být v troubě vařeny.
4. Neumísťujte troubu blízko tepelných zdrojů, na místa se zvýšenou vlhkostí nebo v blízkosti hořlavých materiálů.
5. Pro správnou funkci musí mít trouba dostatečný průtok vzduchu. Nad troubou ponechte 20 cm prostoru, vzadu 10 cm a po obou stranách 5 cm. Nezakrývejte ani neblokujte žádné otvory na spotřebiči. Neodstraňujte nožky.
6. Nepoužívejte troubu, jestliže skleněný talíř, válečkový prstenec, podpěra a hřídel nejsou na svém řádném místě.
7. Ujistěte se, že napájecí kabel není poškozený a není umístěn pod troubou ani na horkém nebo ostrém povrchu.
8. Zásuvka musí být snadno přístupná, aby ji bylo možné v případě nouze snadno odpojit.
9. Nepoužívejte troubu venku.

# POKYNY K UZEMNĚNÍ

Tento spotřebič musí být uzemněn. Tato trouba je vybavena kabelem se zemnicím vodičem se zemnicí zástrčkou. Musí být zapojen do zásuvky, která je správně nainstalována a uzemněna. V případě elektrického zkratu snižuje uzemnění riziko úderu elektrickým proudem poskytnutím drátu, po kterém může odtéci elektrický proud. Doporučuje se, aby byl zajištěn samostatný okruh sloužící pouze troubě. Použití vysokého napětí je nebezpečné a může mít za následek požár nebo jinou nehodu způsobující poškození trouby. **UPOZORNĚNÍ!** Nesprávné použití uzemňovací zástrčky může vést k riziku úrazu elektrickým proudem. Poznámka:

1. Máte-li jakékoli dotazy týkající se uzemnění nebo elektrických pokynů, poraďte se s kvalifikovaným elektrikářem nebo servisním technikem.
2. Výrobce ani prodejce nemohou nést žádnou odpovědnost za poškození trouby nebo zranění osob v důsledku nedodržení postupů elektrického připojení.

Dráty v tomto hlavním kabelu jsou barevné podle následujícího kódu:

**Zelená a žlutá = UZEMNĚNÍ**

**Modrá = NEUTRÁL**

**Hnědá = FÁZE**

# RÁDIOVÉ RUŠENÍ

Provoz mikrovlnné trouby může způsobit rušení rádia, televize nebo podobného zařízení. Pokud dojde k rušení, může být sníženo nebo eliminováno následujícími opatřeními:

1. Vyčistěte dvířka a těsnící povrch trouby.
2. Přesměrujte přijímací anténu rádia nebo televize.
3. Přemístěte mikrovlnnou troubu s ohledem na přijímač.
4. Přesuňte mikrovlnnou troubu od přijímače.
5. Zapojte napájecí kabel počítače do jiné zásuvky tak, aby počítač a přijímač byly připojeny k různým větvím obvodu.

# PŘED VYŽÁDÁNÍM SLUŽBY

Než požádáte o servis, zkontrolujte každou položku níže:

- Zkontrolujte, zda je trouba bezpečně zapojena. Pokud ne, vytáhněte zástrčku ze zásuvky, počkejte 10 sekund a znovu ji bezpečně zapojte.
- Zkontrolujte, zda není spálená pojistka obvodu nebo zda není vypnutý hlavní jistič. Pokud se zdá, že fungují správně, otestujte zásuvku jiným spotřebičem.
- Zkontrolujte, zda je ovládací panel správně naprogramován a časovač je nastaven.



- Zkontrolujte, zda jsou dvířka bezpečně zavřena s použitím systému zámku dvířek. Pokud nejsou dvířka správně zavřena, mikrovlnná energie nebude uvnitř proudit.

**POKUD NIC Z VÝŠE UVEDENÉHO NEVYŘEŠÍ PROBLÉM, OBRAŤTE SE NA KVALIFIKOVANÉHO TECHNIKA. NESNAŽTE SE TROUBU UPRAVOVAT ANI OPRAVOVAT SAMI.**

## TECHNIKY VAŘENÍ

1. Opatrně připravte jídlo. Nejsilnější oblasti umístěte směrem k vnější straně nádoby.
2. Sledujte dobu přípravy pokrmu. Vařte co nejkratší dobu a podle potřeby přidejte další. Hodně převařené jídlo může kouřit nebo se i vznítit.
3. Během vaření zakryjte jídlo. Kryty zabraňují stříkání a pomáhají rovnoměrnému vaření jídla.
4. Během vaření s mikrovlnami jídlo jako kuře a hamburgery ke zrychlení vaření obraťte. Velké kusy, jako jsou pečeně, musí být otočeny alespoň jednou.
5. Jídlo jako masové kuličky uprostřed vaření promíchejte tak, aby se kuličky zdola dostaly nahoru a kuličky ze středu talíře na okraj.

## PRŮVODCE KUCHYŇSKÝM NÁČINÍM

1. Mikrovlny nemohou procházet kovem. Používejte pouze nádobí vhodné pro použití v mikrovlnných troubách. Pro přípravu pokrmů a nápojů v mikrovlnné troubě nesmí být použity kovové nádoby. Tento požadavek neplatí, pokud výrobce uvede velikost a tvar kovových nádob vhodných pro vaření v mikrovlnné troubě.
2. Mikrovlny nemohou procházet kovem, nepoužívejte proto kovové nádobí nebo talíře s kovovým okrajem.
3. Při vaření s mikrovlnami nepoužívejte výrobky z recyklovaného papíru, mohou totiž obsahovat malé úlomky kovu, které by mohly při použití v troubě způsobit jiskření i požár.
4. Doporučujeme zvolit raději kulaté nebo oválné nádoby, protože ve čtvercových nebo obdélníkových se může jídlo v rozích přehřívat.
5. Úzké pásy hliníkové fólie lze použít k zabránění přehřátí exponovaných ploch. Ale buďte opatrní, nepoužívejte příliš mnoho a udržujte vzdálenost 2,54 cm mezi fólií a stěnou.  
Níže uvedený seznam je obecným návodem, který vám pomůže vybrat správné nádobí.

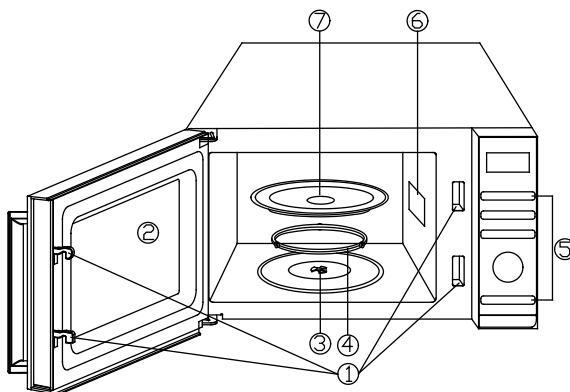
Vaření	Mikrovlnná příprava pokrmů
Tepelně odolné sklo	Ano
Sklo, které není tepelně odolné	Ne
Tepelně odolná keramika	Ano
Plastové nádoby bezpečné pro mikrovlnnou	Ano
Kuchyňský papír	Ano
Kovový talíř	Ne
Kovový stojan	Ne
Hliníkové fólie a fóliové obaly	Ne

## SPECIFIKACE

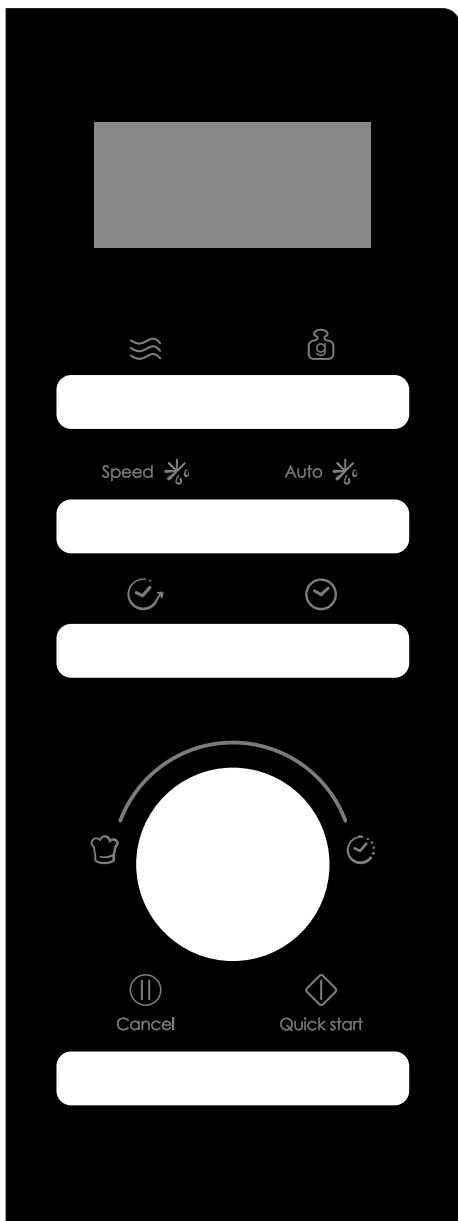
Spotřeba:	230 V/50 Hz, 1400 W (mikrovlnná trouba)
Výstup	900 W
Provozní frekvence:	2450 MHz
Vnější rozměry	281 mm (V) × 483 mm (Š) × 389 mm (H)
Rozměry vnitřní části trouby:	220 mm (V) × 340 mm (Š) × 320 mm (H)
Objem trouby:	Kompaktní 23 litrů
Čistá hmotnost:	Approx.13.1kg

## DIAGRAM PRODUKTU

1. Systém bezpečnostního zámku dvířek
2. OKÉNKO TROUBY
3. Hřídél
4. Válečkový prsteneč
5. Ovládací panel
6. Průvodce vlnami  
(Neodstraňujte slídovou destičku zakrývající vlnovod)
7. Skleněný talíř



# OVLÁDACÍ PANEĽ



## ● DISPLEJ

Zobrazuje se čas vaření, výkon, ukazatele a čas hodin.

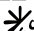
## ● POWER

Stisknutím nastavíte úroveň výkonu mikrovlnné příprava pokrmů.

## ● NASTAVENÍ HMOTNOSTI

Stisknutím tlačítka nastavíte hmotnost jídla nebo porce.

## ● RYCHLÉ ODMRAZOVÁNÍ

Speed 

Stisknutím tlačítka rozmrazíte potraviny podle času.

## ● AUTOMATICKÉ ODMRAZOVÁNÍ

Auto 

Stisknutím tlačítka rozmrazíte potraviny podle hmotnosti.

## ● PŘEDVOLBA

Slouží k nastavení pozdějšího spuštění trouby.

## ● CLOCK

Stisknutím nastavíte čas hodin.

## ● MENU/ČAS (vytáčení)

Otáčením voliče vyberte nabídky automatického vaření.

Otáčením voliče nastavte čas.

## ● PAUZA/ZRUŠIT


Jednou stisknete pro dočasné zastavení vaření nebo dvakrát pro úplné zrušení vaření.

## ● START/RYCHLÝ START

Stisknutím tlačítka spustíte programy vaření a rozmrazování.

Jednoduše jej několikrát stisknete, abyste nastavili dobu přípravy pokrmu a vařili okamžitě na plné úrovni výkonu.

# PROVOZNÍ POKYNY

- Při prvním zapojení trouby zazní zvukový signál a na displeji se zobrazí “” a “1:01”.
- Během nastavování přerušeno na asi 25 sekund se trouba vrátí do pohotovostního režimu.
- Pokud během vaření jednou stisknete tlačítko PAUZA/ZRUŠIT, program se pozastaví, poté stisknete tlačítko START/QUICK START pro pokračování. Pokud však dvakrát stisknete tlačítko PAUSE/CANCEL, program se zruší.
- Po skončení vaření se na displeji zobrazí End a každé dvě minuty zazní zvukový signál, dokud uživatel nestiskne tlačítko PAUSE/CANCEL nebo neotevře dvířka.
- Při provozu stisknete platné tlačítko, bzučák zazvoní jednou, ale pokud stisknete neplatné tlačítko, bzučák zazvoní dvakrát.

## NASTAVENÍ HODIN

---

Tohle jsou hodiny s 12 nebo 24hodinovým formátem času. Stisknutím tlačítka CLOCK v pohotovostním režimu můžete nastavit 12- nebo 24hodinový čas.

1. V pohotovostním režimu opakovaným stisknutím tlačítka CLOCK vyberte 12- nebo 24hodinové hodiny.
2. Otočením voliče MENU/ČAS nastavte číslici hodiny.
3. Stiskněte jednou tlačítko CLOCK.
4. Otočením voliče MENU/ČAS nastavte číslici minuty.
5. Stiskněte tlačítko CLOCK pro potvrzení.

**POZNÁMKA:** Během vaření můžete zkontrolovat aktuální čas stisknutím tlačítka CLOCK.

## EXPRESNÍ VAŘENÍ

---

Pomocí této funkce můžete troubu pohodlně naprogramovat na mikrovlnné ohřevy při 100% výkonu. V pohotovostním režimu opakovaným stisknutím tlačítka START/QUICK START nastavte dobu pečení (každé stisknutí prodlouží dobu pečení o 30 sekund až na 10 minut), trouba začne okamžitě péct na plný výkon. Během vaření můžete prodloužit dobu přípravy pokrmu stisknutím tlačítka START/RYCHLÝ START.

## MIKROVLNNÉ VAŘENÍ

---

1. V pohotovostním režimu opakovaným stisknutím tlačítka POWER zvolte úroveň výkonu.
2. Otočením voliče MENU/ČAS nastavte dobu vaření. Nejdelší doba je 95 minut.
3. Pro potvrzení stiskněte tlačítko START/RYCHLÝ START.

### Stisknutím tlačítka POWER zvolte úroveň výkonu.

Stiskněte tlačítko POWER	Výkon (displej)	Stiskněte tlačítko POWER	Výkon (displej)
Jen jednou	100% (100)	7 krát	40% (40)
Dvakrát	90% (90)	8 krát	30% (30)
3 krát	80% (80)	9 krát	20% (20)
4 krát	70% (70)	10 krát	10% (10)
5 krát	60% (60)	11 krát	00% (00)
6 krát	50% (50)		

**POZNÁMKA:** Během vaření můžete zkontrolovat aktuální úroveň výkonu stisknutím tlačítka POWER.

## AUTOMATICKÉ ODMRAZOVÁNÍ

---

Po naprogramování hmotnosti potravin se automaticky nastaví doba rozmrazování a úroveň výkonu. Hmotnost zmrazených potravin se pohybuje od 100 g do 1800 g.

1. V pohotovostním režimu stiskněte jednou tlačítko AUTOMATICKÉ ODMRAZOVÁNÍ.
2. Opakovaným stisknutím tlačítka WEIGHT ADJUST zvolte hmotnost potravin.
3. Pro potvrzení stiskněte tlačítko START/RYCHLÝ START.

**POZNÁMKA:** Během rozmrazování se systém pozastaví a zvukovým signálem připomene uživateli, aby potraviny otočil, a poté stisknutím tlačítka START/QUICK START pokračuje v rozmrazování.

## RYCHLÉ ROZMRAZOVÁNÍ

---

1. V pohotovostním režimu jednou stiskněte tlačítko RYCHLÉ ROZMRAZOVÁNÍ.
2. Otočením voliče MENU/ČAS nastavte dobu rozmrazování. Nejdelší doba je 95 minut.
3. Pro potvrzení stiskněte tlačítko START/RYCHLÝ START.

**POZNÁMKA:** Během rozmrazování se systém pozastaví a zvukovým signálem připomene uživateli, aby potraviny otočil, a poté stisknutím tlačítka START/QUICK START pokračuje v rozmrazování.

## VÍCESTUPŇOVÉ VAŘENÍ

---

Troubu lze naprogramovat až na 2 automatické sekvence pečení.  
Předpokládáme, že chcete nastavit následující program přípravy pokrmu:  
mikrovlnné vaření



Mikrovlnná příprava pokrmů (s nižší úrovní výkonu)

1. Zadejte první program mikrovlnné přípravy pokrmů. Nestiskněte tlačítko START/QUICK START.
2. Zadejte druhý program mikrovlnné příprava pokrmů.
3. Pro potvrzení stiskněte tlačítko START/Rychlý Start.

**POZNÁMKA:** Ve vícestupňovém vaření nelze nastavit menu expresního vaření, automatického rozmrazování, rychlého rozmrazování a automatického vaření.

## AUTOMATICKÉ ČIŠTĚNÍ (Patří do nabídky Automatického vaření)

---

Do trouby vložte misku s 300 g vody a zavřete dvířka.

1. V pohotovostním režimu otočte jednou voličem MENU/TIME proti směru hodinových ručiček a poté jím otáčejte, dokud se na displeji nezobrazí "A-14" a "AUTO"
2. Jednou stiskněte tlačítko WEIGHT ADJUST.
3. Stiskněte tlačítko START/QUICK START pro spuštění.

**POZNÁMKY:** Doba čištění je 10 minut.

## PŘEDNASTAVENÁ

---

Přednastavená funkce umožňuje spuštění trouby v pozdějším čase.

1. Zadejte program vaření (kromě expresního vaření, rychlého rozmrazování a automatického rozmrazování).
2. Stiskněte jednou tlačítko PRESET.
3. Otočením voliče MENU/ČAS nastavte číslici hodiny.
4. Stiskněte jednou tlačítko PRESET.
5. Otočením voliče MENU/ČAS nastavte číslici minuty.
6. Pro potvrzení stiskněte tlačítko START/Rychlý Start.

**POZNÁMKA:** Když trouba zůstane v přednastaveném stavu, můžete zkontrolovat přednastavený čas jedním stisknutím tlačítka PRESET, pokud stisknete tlačítko PAUSE/CANCEL, když se na displeji zobrazí čas, lze funkci zrušit.

## DĚTSKÁ POJISTKA

---

Dětská pojistka brání dětem v obsluze bez dozoru.

Zadání dětského zámku: Pokud v pohotovostním režimu neprovedete do jedné minuty žádnou operaci, trouba automaticky přejde do režimu dětské pojistky a rozsvítí se kontrolka pojistky. Ve stavu dětské pojistky jsou všechna tlačítka deaktivována.

Zrušení: V režimu dětské pojistky otevřete nebo zavřete dvířka trouby, abyste

program zrušili, a kontrolka pojistky zmizí.

## AUTOMATICKÉ VAŘENÍ

Pro následující jídlo nebo režim vaření není nutné programovat dobu vaření a výkon. Stačí uvést typ jídla, které chcete uvařit, a hmotnost nebo porce tohoto jídla.

1. V pohotovostním režimu otočte voličem MENU/ČAS proti směru hodinových ručiček a zvolte kód jídla.
2. Opakovaným stisknutím tlačítka WEIGHT ADJUST nastavte hmotnost jídla nebo porce.
3. Pro potvrzení stiskněte tlačítko START/RYCHLÝ START.

### Nabídky automatického vaření:

Kód	Pokrm	Hmotnost/Množství	Poznámka
A-01	Mléko/káva/čaj (200 ml/šálek, 1-3 šálky)	1 šálek	Na displeji se místo hmotnosti potraviny zobrazí počet porcí
		2 šálky	
		3 šálky	
A-02	Pizza	150 kg	
		300 kg	
		450 kg	
A-03	Brambor	100 kg	
		200 kg	
		300 kg	
A-04	Automatický ohřev	200 kg	
		300 kg	
		400 kg	
		500 kg	
		600 kg	
		700 kg	
		800 kg	
A-05	Ryby	200 kg	
		300 kg	
		400 kg	
		500 kg	
		600 kg	
A-06	pražená kukuřice	100 kg	
A-07	Polévka	1	200 g/porce
		2	
		3	
A-08	Kaše	50 kg	

Kód	Pokrm	Hmotnost/Množství	Poznámka
		100 kg	
		150 kg	
A-09	Čerstvá zelenina	200 kg	
		300 kg	
		400 kg	
		500 kg	
		600 kg	
A-10	Mražená zelenina	200 kg	
		300 kg	
		400 kg	
		500 kg	
		600 kg	
A-11	Rýže	150 kg	
		300 kg	
		450 kg	
		600 kg	
A-12	Špagety/těstoviny	100 kg	
		200 kg	
		300 kg	
A-13	Mražená večeře/jídlo	250 kg	
		500 kg	
A-14	Autoclean/(výkon by byl kapka vody plná vnitřku dutiny)		

Výsledek automatického vaření závisí na tvaru a velikosti jídla, na tom, jak chcete, aby byla některá jídla důkladně propečena a dokonce i na tom, jak dobře umístíte jídlo do trouby. Pokud shledáte, že výsledek není v žádném případě zcela uspokojivý, jemně upravte dobu přípravy pokrmu odpovídajícím způsobem.



# ČIŠTĚNÍ A PÉČE

1. Vypněte troubu a při čištění odpojte napájecí kabel ze zásuvky.
2. Udržujte vnitřek trouby čistý. Vystříknuté jídlo nebo rozlité tekutiny stačí setřít vlhkým hadříkem. Pokud je trouba velmi znečištěna, je možné použít i jemný čisticí prostředek. Nepoužívejte sprej ani jiné silné čisticí prostředky. Mohou zanechat na povrchu dvířek skvrny, šmouhy nebo ho mohou zmatnit.
3. Vnější povrch trouby by měl být vyčištěn vlhkým hadříkem. Aby nedošlo k poškození vnitřních stěn mikrovlnné trouby, dbejte na to, aby se do průduchů nedostala voda.
4. Vlhkým hadříkem často otírejte dvířka a okénko po obou stranách, těsnění dvířek a přilehlé části, abyste odstranili všechny stříkance a rozlití jídel. Nepoužívejte abrazivní čisticí prostředek.
5. Parní čistič se nepoužívá.
6. Nedovoďte, aby se ovládací panel namočil. Vyčistěte měkkým, vlhkým hadříkem. Při čištění ovládacího panelu nechte otevřená dvířka trouby, aby nedošlo k náhodnému zapnutí trouby.
7. Pokud se pára nahromadí uvnitř nebo kolem dvířek trouby, otřete ji měkkým hadříkem. K tomu může dojít, pokud je mikrovlnná trouba provozována při vysoké vlhkosti. Je to běžný jev.
8. Občas je nutné vyjmout skleněný talíř a vyčistit jej. Umyjte talíř v teplé mýdlové vodě nebo v myčce.
9. Válečkový prstenec a dno trouby je třeba pravidelně čistit, aby nedocházelo k nadměrnému hluku. Jednoduše otřete dno trouby jemným čisticím prostředkem. Válečkový prstenec lze umýt v jemné mýdlové vodě nebo v myčce. Při demontáži válečkového prstence jej nezapomeňte nasadit ve správné poloze.
10. Zápach z trouby odstraníte kombinací šálky vody se šťávou a kůží jednoho citronu v misce do mikrovlnné trouby. Zapněte mikrovlnnou troubu na 5 minut. Důkladně ji otřete a vysušte měkkým hadříkem.
11. Pokud se vypálí žárovka, požádejte zákaznický servis o její výměnu.
12. Trouba by měla být pravidelně čištěna a veškeré zbytky potravin by měly být odstraněny. Neudržování trouby v čistém stavu může vést k poškození povrchu, které by mohlo nepříznivě ovlivnit životnost zařízení a způsobit nebezpečí.
13. Tento spotřebič nevyhazujte do domácího odpadu. Měl by být zlikvidován ve speciálním sběrném dvoře, který zřídila obec.

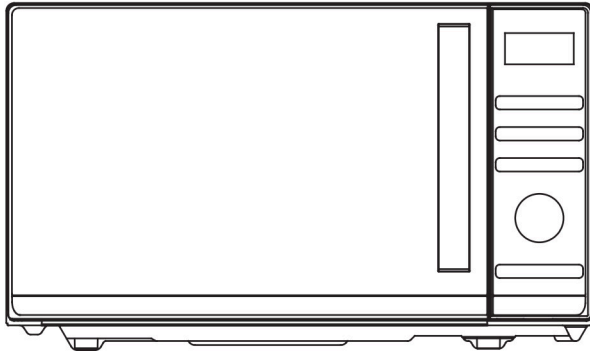


Tento spotřebič je označen v souladu s Evropskou směrnicí 2012/19/EU o odpadních elektrických a elektronických zařízeních z roku 2013, která se týká elektrických a elektronických zařízení (OEEZ). OEEZ obsahuje znečišťující látky (které mohou mít negativní dopad na životní prostředí) i základní prvky (které lze znovu použít). Je důležité, aby OEEZ prošel specifickými úpravami, a znečišťující látky tak byly správně odstraněny a zlikvidovány, a aby byly obnoveny všechny materiály. Jednotlivci mohou hrát důležitou roli při zajišťování toho, aby se OEEZ nestal zátěží pro životní prostředí. Je nezbytné dodržovat několik základních pravidel:

- OEEZ se nesmí likvidovat jako domovní odpad;
- OEEZ by měl být odvezen do vyhrazených sběrných oblastí spravovaných městskou radou nebo registrovanou společností.

V případě objemného OEEZ mohou být v mnoha zemích k dispozici sběry z domácností. Při zakoupení nového spotřebiče lze vrátit starý spotřebič prodejci, který je povinen jej jednorázově bezplatně přijmout, pokud je spotřebič obdobného typu a má stejné funkce jako zakoupený spotřebič.

# Anweisungen für den Mikrowellenherd



Modell: CMWA23TNDB

Bitte lesen Sie diese Anleitung vor der Installation  
und dem Betrieb des Ofens sorgfältig durch.

# INHALT

<b>VORSICHTSMASSNAHMEN ZUR VERMEIDUNG EINER MÖGLICHEN EXPOSITION GEGENÜBER ÜBERMÄSSIGER MIKROWELLENENERGIE</b>	<b>2</b>
<b>WICHTIGE SICHERHEITSANWEISUNGEN</b>	<b>2</b>
<b>MONTAGEANLEITUNG</b>	<b>5</b>
<b>HINWEISE ZUR ERDUNG DES GERÄTS</b>	<b>6</b>
<b>FUNKSTÖRUNG</b>	<b>6</b>
<b>BEVOR SIE DEN SERVICE ANRUFEN</b>	<b>7</b>
<b>KOCHTECHNIKEN</b>	<b>7</b>
<b>ANLEITUNG FÜR KOCHUTENSILIEN</b>	<b>8</b>
<b>EIGENSCHAFTEN</b>	<b>9</b>
<b>BEDIENFELD</b>	<b>10</b>
<b>BEDIENUNGSANWEISUNG</b>	<b>11</b>
EINSTELLEN DER UHRZEIT	11
EXPRESS-KOCHEN	11
GAREN IN DER MIKROWELLE	12
AUTOMATISCHES AUFTAUEN NACH GEWICHT	12
DREHZAHL ABTAUUNG	12
MEHRSTUFIGES KOCHEN	13
AUTO CLEAN	13
VOREINSTELLUNG	13
KINDERSICHERUNG	13
AUTO-KOCHEN	14
<b>REINIGUNG UND PFLEGE</b>	<b>16</b>

# VORSICHTSMASSNAHMEN ZUR VERMEIDUNG EINER MÖGLICHEN EXPOSITION GEGENÜBER ÜBERMÄSSIGER MIKROWELLENENERGIE

1. Versuchen Sie nicht, diesen Ofen bei geöffneter Tür zu benutzen, weil der Betrieb mit geöffneter Tür zu einer schädlichen Einwirkung von Mikrowellenenergie führen kann. Es ist wichtig, die Sicherheitsverriegelungen nicht zu deaktivieren oder zu manipulieren.
2. Achten Sie darauf, dass sich keine Gegenstände zwischen Ofenvorderseite und Tür befinden und sich weder Schmutz noch Reinigungsrückstände auf Dichtflächen ansammeln.
3. Benutzen Sie den Ofen nicht, wenn er beschädigt ist. Es ist insbesondere wichtig, dass die Ofentür ordnungsgemäß schließt und folgende Komponenten unbeschädigt sind:
  - a) Tür (einschließlich eventueller Biegungen),
  - b) Scharniere und Riegel (gebrochen oder lose)
  - c) Türdichtungen und Dichtflächen
4. Der Ofen darf nur von qualifiziertem Servicepersonal eingestellt oder repariert werden.

## WICHTIGE SICHERHEITSANWEISUNGEN

Bei der Benutzung von Elektrogeräten sind grundlegende Vorsichtsmaßnahmen zu beachten, einschließlich des Folgenden:

**WARNUNG!**--Gefahr von Verbrennungen, elektrischem Schlag, Feuer, Verletzung von Personen oder Exposition gegenüber übermäßiger Mikrowellenenergie zu verringern:

1. Verwenden Sie das Gerät nur für den in der Anleitung beschriebenen Verwendungszweck. Verwenden Sie in diesem Gerät keine ätzenden Chemikalien oder Dämpfe. Dieser Ofentyp ist speziell zum Erhitzen, Kochen oder Trocknen von Lebensmitteln konzipiert. Es ist nicht für den industriellen oder Laboreinsatz ausgelegt.
2. Benutzen Sie den Ofen nicht, wenn er leer ist.

3. Benutzen Sie dieses Gerät nicht, wenn ein Kabel oder Stecker beschädigt ist oder wenn es nicht ordnungsgemäß funktioniert oder beschädigt oder fallengelassen wurde. Wenn das Netzkabel beschädigt ist, muss es durch den Hersteller oder dessen Kundendienst oder eine ähnlich qualifizierte Person ersetzt werden, um Gefahren zu vermeiden
4. Kinder dürfen den Ofen nur dann unbeaufsichtigt benutzen, nachdem sie eine entsprechende Einweisung erhalten haben, damit sie ihn auf sichere Weise benutzen und die Gefahren durch unsachgemäße Verwendung verstanden haben.
5. Um die Brandgefahr im Ofeninneren zu verringern:
  - Behalten Sie beim Erhitzen von Speisen in Kunststoff- oder Papierbehältern den Ofen wegen der Entzündungsgefahr im Auge.
  - Entfernen Sie Drahtverschlüsse aus Papier- oder Kunststoffbeuteln, bevor Sie die Beutel in den Ofen legen.
  - Sollte Rauch auftreten, muss das Gerät sofort ausgeschaltet oder der Netzstecker gezogen werden und die Tür geschlossen bleiben, um Flammen zu ersticken.
  - Benutzen Sie das Gerät nicht als Aufbewahrungsort. Lassen Sie bei Nichtgebrauch keine Papierprodukte, Kochutensilien oder Lebensmittel im Gerät.
  - Die Mikrowelle dient zum Aufwärmen von Nahrungsmitteln und Getränken. Das Trocknen von Nahrungsmitteln und Aufwärmen von Heizkissen, Pantoffeln, Schwämmen, feuchten Textilien und Ähnlichem kann zu Verletzungen, Entzündungs- oder Brandgefahr führen.
6. **WARNUNG!**–Flüssigkeit oder andere Lebensmittel dürfen nicht in verschlossenen Behältern erhitzt werden, da sie explodieren können.
7. Beim Erwärmen von Getränken mittels Mikrowellen kann es zu einem verzögerten eruptiven Aufkochen kommen. Daher ist beim Hantieren mit dem Behältnis Vorsicht geboten.
8. Frittieren Sie keine Speisen im Ofen. Heißes Öl kann Ofenteile und Gegenstände beschädigen und auch zu Hautverbrennungen führen.
9. Rohe und hartgekochte Eier sollten nicht in Mikrowellenöfen erhitzt werden, weil sie auch nach Beendigung des Heizvorgangs noch explodieren können.
10. Stechen Sie Lebensmittel mit einer harten Schale wie Kartoffeln, ganze Kürbisse, Äpfel und Kastanien vor dem Garen an.
11. Der Inhalt von Säuglingsflaschen und Babygläsern sollte umgerührt oder geschüttelt und die Temperatur vor dem Verabreichen überprüft werden, um Verbrennungen zu vermeiden.
12. Kochutensilien können aufgrund der von den erhitzten Lebensmitteln übertragenen Wärme heiß werden. Für die Handhabung können Topflappen erforderlich sein.
13. Kochutensilien müssen auf ihre Eignung für den Einsatz im Mikrowellenofen überprüft werden.

14. Für ungeschulte Personen ist es gefährlich, Wartungs- oder Reparaturarbeiten durchzuführen, bei denen Abdeckungen entfernt werden, die Schutz vor Mikrowellenenergie bietet.
15. Diese Mikrowelle entspricht der Norm EN 55011/CISPR 11, in dieser Norm ist sie der Klasse B Gruppe 2 zugeordnet. Geräte der Gruppe 2: Die Gruppe 2 enthält alle ISM-HF-Geräte, in denen Hochfrequenzenergie im Frequenzbereich von 9 kHz bis 400 GHz in Form von elektromagnetischer Strahlung, induktiver und/oder kapazitiver Kopplung absichtlich erzeugt und genutzt oder nur lokal eingesetzt wird, zur Behandlung von Material, zu Prüf-/Analysezwecken oder zur Übertragung von elektromagnetischer Energie. Bei Geräten der Klasse B handelt es sich um Geräte, die für den Einsatz an Orten in Wohnbereichen und in Einrichtungen geeignet sind, die direkt an ein Niederspannungsnetz angeschlossen sind, das Gebäude versorgt, die für Wohnzwecke genutzt werden.
16. Das Gerät darf von Personen (einschließlich Kindern) mit eingeschränkten physischen, sensorischen oder geistigen Fähigkeiten sowie einem Erfahrungs- und Kenntnismangel nur unter Aufsicht oder nach ausreichender Einweisung durch eine für ihre Sicherheit verantwortliche Person benutzt werden.
17. Kinder müssen beaufsichtigt werden, um sicherzugehen, dass sie nicht am Gerät herumspielen.
18. Der Mikrowellenherd wird nur freistehend verwendet.
19. **WARNUNG!**-Installieren Sie den Backofen nicht über einer Herdplatte oder einem anderen wärmeerzeugenden Gerät. Wenn er installiert wird, könnte er beschädigt werden und die Garantie würde entfallen.
20. Das Mikrowellengerät darf nicht in einem Schrank untergebracht werden.
21. **WARNUNG:** Während des Gebrauchs werden das Gerät und dessen zugänglichen Teile heiß.
22. **WARNUNG!**--Zugängliche Teile können während des Betriebs heiß werden. Kleinkinder sollten sich nicht in der Nähe des Gerätes aufhalten.
23. Während des Betriebs werden die Geräte heiß. Achten Sie darauf, dass die Heizelemente im Inneren des Ofens nicht gedrückt werden, bei Herdplatten und Backöfen.
24. Die Temperatur von zugänglichen Oberflächen kann im Betrieb hoch sein.
25. Das Gerät muss an einer Wand aufgestellt werden.
26. Das Gerät darf nicht von Kinder oder Personen mit eingeschränkten physischen, sensorischen oder mentalen Fähigkeiten oder einem Mangel an Erfahrung und Wissen benutzt werden, es sei denn, sie werden beaufsichtigt oder haben umfassende Anweisungen erhalten.
27. **WARNUNG!**--Wenn die Tür oder die Türdichtungen beschädigt sind, darf der Ofen nicht betrieben werden, bis er von einer kompetenten Person repariert wurde.

28. Das Gerät darf nicht mit einer externen Zeitschaltuhr oder einem individuellen Fernbediensystem betrieben werden.
29. Das Mikrowellengerät ist nur für den Hausgebrauch und nicht für den gewerblichen Einsatz bestimmt.
30. Entfernen Sie niemals den Abstandshalter hinten oder an den Seiten, da dieser einen Mindestabstand zur Wand für die Luftzirkulation gewährleistet.
31. Sichern Sie den Drehteller, bevor Sie das Gerät bewegen, um Schäden zu vermeiden.
32. **VORSICHT!**-Es ist gefährlich, das Gerät nur von einem Fachmann reparieren oder warten zu lassen, da unter diesen Umständen die Abdeckung entfernt werden muss, die den Schutz vor Mikrowellenstrahlung sicherstellt. Dies gilt auch für das Auswechseln des Netzkabels oder der Beleuchtung. Schicken Sie das Gerät in diesen Fällen an unsere Servicestelle.
33. Der Mikrowellenherd ist nur zum Auftauen, Garen und Dämpfen von Speisen bestimmt.
34. Verwenden Sie Handschuhe, wenn Sie erhitzte Speisen entnehmen.
35. Vorsicht! Beim Öffnen von Deckeln oder beim Einwickeln von Folien entweicht Dampf.
36. Dieses Gerät darf von Kindern ab 8 Jahren und Personen mit eingeschränkten körperlichen, sensorischen oder geistigen Fähigkeiten oder ohne Erfahrung und Wissen nur benutzt werden, wenn sie beaufsichtigt werden oder Anweisungen für den sicheren Gebrauch des Geräts erhalten und die damit verbundenen Gefahren verstanden haben. Kinder dürfen keinesfalls mit dem Gerät spielen. Reinigung und Wartung darf nicht von Kindern durchgeführt werden, es sei denn, sie sind über 8 Jahre alt und werden überwacht.
37. Sollte Rauch auftreten, muss das Gerät sofort ausgeschaltet oder der Netzstecker gezogen werden und die Tür geschlossen bleiben, um Flammen zu ersticken.

## MONTAGEANLEITUNG

1. Vergewissern Sie sich, dass alle Verpackungsmaterialien von der Innenseite der Tür entfernt sind.
2. Überprüfen Sie den Ofen auf Beschädigungen, wie Fehlausrichtungen oder verbogene Türen, beschädigte Türdichtungen und Dichtungsflächen, gebrochene oder lose Türscharniere und Verriegelungen sowie Dellen innerhalb des Hohlraums oder an der Tür. Benutzen Sie den Ofen nicht und wenden Sie sich an qualifiziertes Servicepersonal, falls Beschädigungen vorhanden sind.
3. Dieser Mikrowellenofen ist auf einer ebenen, stabilen Fläche aufzustellen, die seinem Gewicht, einschließlich der schwersten darin wahrscheinlich zubereiteten Lebensmittel, standhalten kann.



4. Stellen Sie den Ofen weder dort auf, wo Hitze, Feuchtigkeit oder hohe Luftfeuchtigkeit erzeugt werden, noch in der Nähe brennbarer Materialien.
5. Für einen ordnungsgemäßen Betrieb muss der Ofen eine ausreichende Belüftung haben. Lassen Sie 20 cm über dem Backofen, 10 cm auf der Rückseite und 5 cm auf beiden Seiten Platz. Die Geräteöffnungen dürfen weder abgedeckt noch blockiert werden. Entfernen Sie die Gerätefüße nicht
6. Benutzen Sie den Backofen nur, wenn Glasteller, Rollenträger und Welle korrekt positioniert sind.
7. Vergewissern Sie sich, dass das Netzkabel unbeschädigt ist und weder unter dem Ofen noch über eine heiße oder scharfe Oberfläche verlegt wurde.
8. Die Steckdose muss leicht zugänglich sein, damit der Stecker im Notfall leicht abgezogen werden kann.
9. Benutzen Sie den Ofen nicht im Freien.

## HINWEISE ZUR ERDUNG DES GERÄTS

Dieses Gerät muss geerdet sein. Anschlusskabel und Stecker dieses Ofen verfügen über einen Erdungsleiter. Das Gerät muss an einer ordnungsgemäß installierten und geerdeten Steckdose angeschlossen werden. Bei einem Kurzschluss verringert die Erdung die Gefahr eines Stromschlags, indem ein Fluchtdraht für den elektrischen Strom bereitgestellt wird. Der Ofen sollte möglichst an einem eigenen, separaten Stromkreis angeschlossen werden. Die Benutzung von Hochspannung ist gefährlich und kann zu einem Brand oder einem anderen Unfall führen, der Ofenschäden verursacht. **WARNING** Bei unsachgemäßer Verwendung des Erdungssteckers besteht die Gefahr eines elektrischen Schlages. Hinweis:

1. Bei Fragen zur Erdung oder Elektroinstallation wenden Sie sich an einen qualifizierten Elektriker oder Servicetechniker.
2. Weder der Hersteller noch der Händler haften für Schäden am Ofen oder Personenschäden, wenn die Hinweise für den Stromanschluss nicht beachtet werden.

Die Drähte in diesem Hauptkabel haben folgenden Farbcode:

**Grün und Gelb = ERDE**

**Blau = NULLLEITER**

**Braun = PHASE**

## FUNKSTÖRUNG

Der Betrieb des Mikrowellenofens kann Störungen an Ihrem Radio, Fernseher oder ähnlichen Geräten verursachen. Störungen können durch folgende Maßnahmen reduziert oder beseitigt werden:

1. Tür und Dichtfläche des Ofens reinigen.
2. Richten Sie die Empfangsantenne von Radio oder Fernsehen neu aus.
3. Richten Sie den Mikrowellenofen in Bezug auf den Empfänger anders aus.
4. Bewegen Sie den Mikrowellenofen vom Empfänger weg.
5. Schließen Sie den Mikrowellenofen an einen anderen Stromkreis als den Empfänger an.

## **BEVOR SIE DEN SERVICE ANRUFEN**

Bevor Sie den Service in Anspruch nehmen, überprüfen Sie bitte jeden der folgenden Punkte:

- Prüfen Sie, ob der Ofen sicher eingesteckt ist. Ist dies nicht der Fall, ziehen Sie den Stecker aus der Steckdose, warten 10 Sekunden und schließen ihn dann wieder an.
- Prüfen Sie, ob eine Sicherung durchgebrannt ist oder der Hauptschalter ausgelöst wurde. Falls diese korrekt zu funktionieren scheinen, überprüfen Sie die Steckdose mit einem anderen Gerät.
- Prüfen Sie, ob das Bedienfeld korrekt programmiert und der Timer eingestellt ist.
- Prüfen Sie, ob die Tür sicher geschlossen ist, indem Sie das Türverriegelungssystem einrasten lassen. Wenn die Tür nicht richtig geschlossen ist, kann die Mikrowellenenergie nicht ins Innere fließen.

**WENN KEINER DER OBEN GENANNTEN PUNKTE DIE SITUATION BEHEBT, WENDEN SIE SICH AN EINEN QUALIFIZIERTEN TECHNIKER. VERSUCHEN SIE NICHT, DEN OFEN SELBST EINZUSTELLEN ODER ZU REPARIEREN.**

## **KOCHTECHNIKEN**

1. Ordnen Sie das Gargut sorgfältig an. Legen Sie die dicksten Stücke außen in die Schale.
2. Beachten Sie die Garzeit. Garen Sie für die kürzeste angegebene Zeit und verlängern Sie bei Bedarf. Stark übergarbte Lebensmittel können rauchen oder sich entzünden.
3. Decken Sie das Gargut ab. Dies verhindert Spritzer und unterstützt ein gleichmäßiges Garen
4. Wenden Sie das Gargut einmal während der Mikrowellenzubereitung, damit Lebensmittel wie Geflügel und Hamburger schneller gar werden. Große Stücke wie Braten müssen mindestens einmal gewendet werden.

- Schichten Sie Gargut wie Fleischbällchen zur Hälfte des Garvorgangs sowohl von oben nach unten als auch von der Mitte des Tellers nach außen um.

## ANLEITUNG FÜR KOCHUTENSILIEN

- Mikrowellen können Metall nicht durchdringen. Nur Utensilien benutzen, die auch für den Gebrauch in der Mikrowelle geeignet sind. Metallbehälter für Speisen und Getränke sind zum Garen in der Mikrowelle nicht erlaubt. Diese Anforderung gilt nicht, wenn der Hersteller Größe und Form von Metallbehältern angibt, die für das Garen in der Mikrowelle geeignet sind.
- Mikrowellen können kein Metall durchdringen. Daher sollten die benutzten Gegenstände oder das Geschirr kein Metall aufweisen.
- Verwenden Sie beim Mikrowellengaren keine recycelten Papierprodukte, weil diese kleine Metallfragmente enthalten können, die Funken und/oder Brände verursachen können.
- Benutzen Sie rundes/ovales statt quadratisches/längliches Geschirr, weil Speisen in Ecken zum Überkochen neigen.
- Um ein Überkochen freiliegender Bereiche zu verhindern, können schmale Streifen aus Aluminiumfolie verwendet werden. Aber seien Sie vorsichtig! Nehmen Sie nicht zu viel und halten Sie einen Abstand von ca. 2,5 cm zwischen Folie und Ofenwand.  
Die folgende Liste ist ein allgemeiner Leitfaden, der Ihnen bei der Auswahl der richtigen Utensilien hilft.

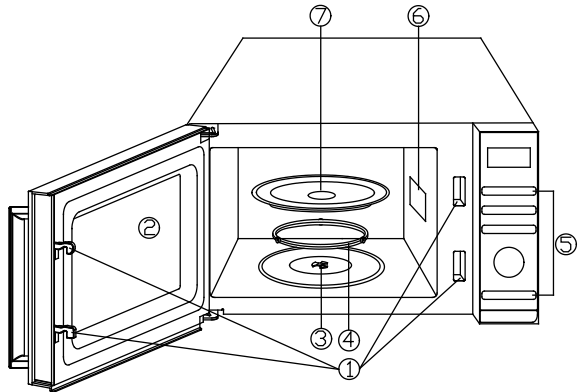
Kochwaren	MIKROWELLENGAREN
Hitzebeständiges Glas	Ja
Nicht hitzebeständiges Glas	Nr.
Hitzebeständige Keramik	Ja
Mikrowellenfestes Kunststoffgeschirr	Ja
Küchenpapier	Ja
Metallschale	Nein
Metallgestell	Nein
Aluminiumfolie + Folienbehältnis	Nein

# EIGENSCHAFTEN

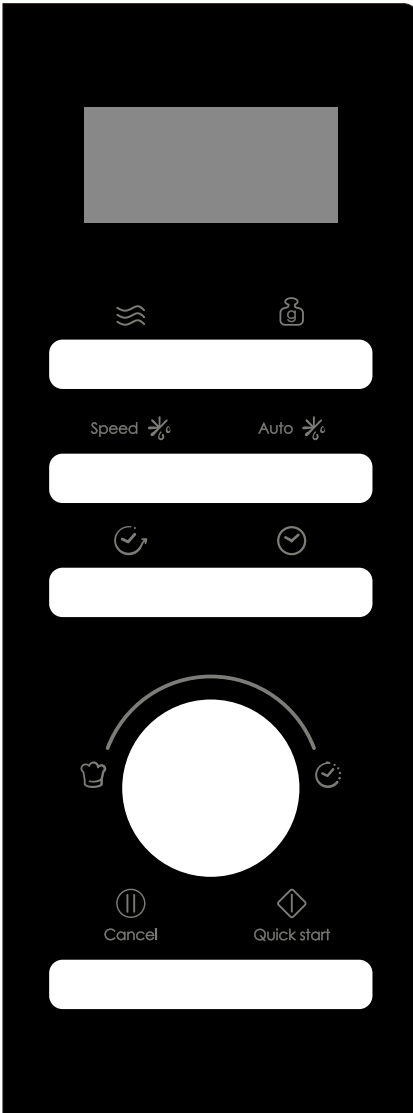
Leistungsaufnahme	230 V/50 Hz, 1400 W (Mikrowelle)
Ausgang	900 W
Betriebsfrequenz:	2450 MHz
Außenabmessungen	281mm(H)×483mm(W)×389mm(D)
Abmessungen des Ofenraums:	220mm(H)×340mm(W)×320mm(D)
Ofenkapazität:	Kompakt 23 Liter
Nettogewicht:	Approx.13.1kg

# PRODUKTABBILDUNG

1. Türsicherheitstürverriegelung
  2. Ofenfenster
  3. Welle
  4. Walzenring
  5. Bedienfeld
  6. Wellenleiter
  7. Glasteller
- (Bitte entfernen Sie nicht die Glimmerplatte, die den Wellenleiter abdeckt)



# BEDIENFELD



## ● ANZEIGE

Garzeit, Leistung, Anzeigen und Uhrzeit werden angezeigt.

## ● POWER

Drücken Sie diese Taste, um die Leistungsstufe des Mikrowellengeräts einzustellen.

## ● GEWICHTSANPASSUNG

Drücken Sie diese Taste, um das Gewicht der Speisen oder die Portionen einzustellen.

## ● SPEED DEFROST Speed

Drücken Sie diese Taste, um Speisen zeitabhängig aufzutauen.

## ● AUTOMATISCHES AUFTAUEN Auto

Drücken Sie diese Taste, um Lebensmittel gewichtsabhängig aufzutauen.

## ● PRESET

Mit können Sie den Ofen auf einen späteren Startzeitpunkt einstellen.

## ● UHR

Drücken Sie, um die Uhrzeit einzustellen.


## ● MENU/TIME (Wählscheibe)



Drehen Sie das Rad, um die Autokoch-Menüs auszuwählen.

Drehen Sie das Rad, um die Zeit einzustellen.

## ● PAUSE/BEENDEN Cancel


Drücken Sie einmal, um den Garvorgang zu unterbrechen, oder zweimal, um ihn vollständig abzubrechen. 

## ● START/SCHNELLSTART Quick start

Drücken Sie diese Taste, um Gar- und Auftauprogramme zu starten.

Einfach mehrmals drücken, um die Garzeit einzustellen und sofort auf voller Leistungsstufe zu garen.

# BEDIENUNGSANWEISUNG

- Wenn der Ofen zum ersten Mal eingesteckt wird, ertönt ein Piepton und im Display wird " " und "1:01" angezeigt.
- Während des Einstellvorgangs wird der Ofen nach ca. 25 Sekunden in den Standby-Modus zurückkehren.
- Wenn Sie während des Garvorgangs die Taste PAUSE/CANCEL einmal drücken, wird das Programm angehalten, und Sie können es mit der Taste START/QUICK START fortsetzen. Wenn Sie jedoch zweimal die Taste PAUSE/CANCEL drücken, wird das Programm abgebrochen.
- Nach dem Ende des Garvorgangs zeigt das Display End an und alle zwei Minuten ertönt ein Signalton, bis der Benutzer die Taste PAUSE/CANCEL drückt oder die Tür öffnet.
- Wenn Sie während des Betriebs eine gültige Taste drücken, ertönt der Summer einmal, aber wenn Sie eine ungültige Taste drücken, ertönt der Summer zweimal.

## EINSTELLEN DER UHRZEIT

---

Dies ist eine 12- oder 24-Stunden-Uhr. Sie können wählen, ob Sie die Uhrzeit in 12- oder 24-Stunden einstellen möchten, indem Sie die CLOCK-Taste im Standby-Modus drücken.

1. Drücken Sie im Standby-Modus wiederholt die Taste CLOCK, um die 12- oder 24-Stunden-Uhr auszuwählen.
2. Drehen Sie den Regler MENU/TIME, um die Stundenzahl einzustellen.
3. Drücken Sie die Taste CLOCK einmal.
4. Drehen Sie den Regler MENU/TIME, um die Minutenziffer einzustellen.
5. Drücken Sie die Taste CLOCK zur Bestätigung.

**HINWEIS:** Während des Garens können Sie die aktuelle Uhrzeit durch Drücken der Taste CLOCK überprüfen.

## EXPRESS-KOCHEN

---

Verwenden Sie diese Funktion, um den Ofen so zu programmieren, dass er Speisen bequem mit 100 % Leistung mikrowellengeeignet macht. Drücken Sie im Standby-Modus wiederholt die Taste START/QUICK START, um die Garzeit einzustellen (jedes Drücken erhöht die Zeit um 30 Sekunden, bis zu 10 Minuten), der Ofen beginnt sofort mit voller Leistung zu garen. Während des Garens können Sie durch Drücken der Taste START/QUICK START die Garzeit verlängern.

## GAREN IN DER MIKROWELLE

---

1. Drücken Sie im Standby-Modus wiederholt die POWER-Taste, um die Leistungsstufe auszuwählen.
2. Drehen Sie den Regler MENU/TIME, um die Garzeit einzustellen. Die längste Zeit beträgt 95 Minuten.
3. Drücken Sie die Taste START/QUICK START zur Bestätigung.

**Wählen Sie die Leistungsstufe durch Drücken der POWER-Taste.**

Drücken Sie die Einschalttaste	Leistung (Display)	Drücken Sie die Einschalttaste	Leistung (Display)
1-mal	100 % (100)	7 mal	40 % (40)
2-mal	90 % (90)	8 mal	30 % (30)
3-mal	80 % (80)	9 mal	20 % (20)
4 mal	70 % (70)	10 mal	10 % (10)
5 mal	60 % (60)	11 mal	00% (00)
6 mal	50 % (50)		

**HINWEIS:** Während des Kochens können Sie die aktuelle Kochleistungsstufe durch Drücken der POWER-Taste überprüfen.

## AUTOMATISCHES AUFTAUEN NACH GEWICHT

---

Die Auftauzeit und die Leistungsstufe werden automatisch eingestellt, sobald das Lebensmittelgewicht programmiert ist. Das Gewicht der Tiefkühlkost reicht von 100 g bis 1800 g.

1. Drücken Sie im Standby-Modus die Taste AUTO DEFROST einmal.
2. Drücken Sie wiederholt WEIGHT ADJUST, um das Lebensmittelgewicht auszuwählen.
3. Drücken Sie die Taste START/QUICK START zur Bestätigung.

**HINWEIS:** Während des Abtauens macht das System eine Pause und gibt einen Ton aus, um den Benutzer daran zu erinnern, die Lebensmittel umzudrehen, und drückt dann die Taste START/QUICK START, um den Abtauvorgang fortzusetzen.

## DREHZAHL ABTAUUNG

---

1. Drücken Sie im Standby-Modus die Taste SPEED DEFROST einmal.
2. Drehen Sie den Regler MENU/TIME, um die Abtauzeit einzustellen. Die längste Zeit beträgt 95 Minuten.
3. Drücken Sie die Taste START/QUICK START zur Bestätigung.

**HINWEIS:** Während des Abtauens macht das System eine Pause und gibt einen Ton aus, um den Benutzer daran zu erinnern, die Speisen umzudrehen, und drückt dann START/QUICK START, um den Abtauvorgang fortzusetzen.

## MEHRSTUFIGES KOCHEN

---

Ihr Ofen kann für bis zu 2 automatische Garabläufe programmiert werden. Angenommen, Sie möchten das folgende Garprogramm einstellen.

Garen in der mikrowelle



Garen in der Mikrowelle (mit geringerer Leistungsstufe)

1. Geben Sie das erste Mikrowellen-Garprogramm ein. Drücken Sie nicht die Taste START/QUICK START.
2. Geben Sie das zweite Mikrowellen-Garprogramm ein.
3. Drücken Sie die Taste START/QUICK START zur Bestätigung.

**HINWEIS:** Die Menüs "Expressgaren", "Automatisches Auftauen", "Schnelles Auftauen" und "Automatisches Kochen" können beim mehrstufigen Kochen nicht eingestellt werden.

## AUTO CLEAN (Gehören zum Auto-Cook-Menü)

---

Legen Sie eine Schüssel mit 300 g Wasser in den Ofen und schließen Sie die Tür.

1. Drehen Sie im Standby-Modus das Wählrad MENÜ/ZEIT einmal gegen den Uhrzeigersinn, und drehen Sie es dann so lange, bis das Display "A-14" und "AUTO" angezeigt werden.
2. Drücken Sie DIE TASTE ZUR GEWICHTSANPASSUNG einmal.
3. Drücken Sie die Taste START/QUICK START, um zu starten.

**HINWEIS:** Die Reinigungszeit beträgt 10 Minuten.

## VOREINSTELLUNG

---

Mit der Preset-Funktion kann der Ofen zu einem späteren Zeitpunkt anlaufen.

1. Geben Sie ein Garprogramm ein (außer Expressgaren, Schnellabtauung und Autoabtauung).
2. Drücken Sie die PRESET-Taste einmal.
3. Drehen Sie den Regler MENU/TIME, um die Stundenzahl einzustellen.
4. Drücken Sie die PRESET-Taste einmal.
5. Drehen Sie den Regler MENU/TIME, um die Minutenziffer einzustellen.
6. Drücken Sie die Taste START/QUICK START zur Bestätigung.

**HINWEIS:** Wenn der Ofen im voreingestellten Zustand bleibt, können Sie die voreingestellte Zeit überprüfen, indem Sie die Taste PRESET einmal drücken; wenn Sie die Taste PAUSE/CANCEL drücken, wenn das Display die Zeit anzeigt, kann die Funktion abgebrochen werden.

## KINDERSICHERUNG

---

Die Kindersicherung verhindert eine unbeaufsichtigte Bedienung durch Kinder.

So geben Sie die Kindersicherung ein: Wenn im Standby-Modus innerhalb einer Minute keine Bedienung erfolgt, geht der Ofen automatisch in den Kindersicherungsmodus über und die Kontrollleuchte für die Kindersicherung



leuchtet auf. Im Sperrzustand sind alle Tasten deaktiviert.

Zum Abbrechen: Öffnen oder schließen Sie im Kindersicherungsmodus die Backofentür, um das Programm abzubrechen, und die Sperrkontrollleuchte erlischt.

## AUTO-KOCHEN

Für das folgende Gargut bzw. den folgenden Garbetrieb ist es nicht notwendig, die Garzeit und Leistung zu programmieren. Es genügt, die Art der Lebensmittel, die Sie kochen möchten, sowie das Gewicht oder die Portion der Lebensmittel anzugeben.

1. Drehen Sie im Standby-Modus den Regler MENU/TIME gegen den Uhrzeigersinn, um den Lebensmittelcode auszuwählen.
2. Drücken Sie wiederholt die Taste WEIGHT ADJUST, um das Gewicht der Speisen oder die Portionen einzustellen.
3. Drücken Sie die Taste START/QUICK START zur Bestätigung.

### Auto-Koch-Menüs:

Code	Nahrung	Gewicht/ Menge	Hinweis
A-01	Milch/Kaffee/Tee (200 ml/Tasse, 1-3 Tassen)	<b>1 Tasse</b>	Das Display zeigt die Anzahl der Portionen anstelle des Lebensmittelgewichts an
		<b>2-Becher</b>	
		<b>3-Becher</b>	
A-02	Pizza	150 g	
		300 g	
		450 g	
A-03	Kartoffel	100 g	
		200 g	
		300 g	
A-04	Auto Reheat	200 g	
		300 g	
		400 g	
		500 g	
		600 g	
		700 g	
		800 g	
A-05	Fisch	200 g	
		300 g	
		400 g	
		500 g	
		600 g	
A-06	Popcorn	100 g	

<b>Code</b>	<b>Nahrung</b>	<b>Gewicht/ Menge</b>	<b>Hinweis</b>
A-07	Suppe	1	200 g/Portion
		2	
		3	
A-08	Brei	50 g	
		100 g	
		150 g	
A-09	frisches Gemüse	200 g	
		300 g	
		400 g	
		500 g	
		600 g	
A-10	Gefrorenes Gemüse	200 g	
		300 g	
		400 g	
		500 g	
		600 g	
A-11	Reis	150 g	
		300 g	
		450 g	
		600 g	
A-12	Spaghetti/Pasta	100 g	
		200 g	
		300 g	
A-13	Gefrorenes Abendessen/Mahlzeit	250 g	
		500 g	
A-14	Autoclean/(Leistung wäre der Wassertropfen voll von der Innenseite des Hohlraums)		

Das Ergebnis des automatischen Garens ist von Faktoren wie Form und Größe des Garguts, dem persönlich bevorzugten Garzustand sowie davon abhängig, wie gut Sie das Gargut im Ofen platzieren. Falls das Resultat nicht ganz zufriedenstellend ist, passen Sie die Garzeit bitte entsprechend an.

# REINIGUNG UND PFLEGE

1. Schalten Sie den Ofen aus und ziehen Sie den Netzstecker aus der Steckdose, wenn Sie ihn reinigen.
2. Halten Sie das Innere des Ofens sauber. Wenn Lebensmittelspritzer oder verschüttete Flüssigkeiten an Ofenwänden haften, wischen Sie sie mit einem feuchten Tuch ab. Wenn der Ofen sehr verschmutzt ist, können Sie ein mildes Reinigungsmittel verwenden. Vermeiden Sie die Verwendung von Spray oder anderen scharfen Reinigern. Sie können die Türoberfläche verschmutzen, streifen oder stumpf werden lassen.
3. Die Außenseite des Ofens sollte mit einem feuchten Tuch gereinigt werden. Um Beschädigungen der Komponenten im Ofeninneren zu vermeiden, darf kein Wasser in die Lüftungsöffnungen eindringen.
4. Wischen Sie die Tür und das Fenster auf beiden Seiten, die Türdichtungen und angrenzenden Teile häufig mit einem feuchten Tuch ab, um Verschüttungen oder Spritzer zu entfernen. Verwenden Sie keinen abrasiven Reiniger.
5. Ein Dampfreiniger darf nicht verwendet werden.
6. Lassen Sie das Bedienfeld nicht nass werden. Reinigen Sie mit einem weichen, feuchten Tuch. Lassen Sie beim Reinigen des Bedienfelds die Ofentür offen, um ein versehentliches Einschalten des Ofens zu verhindern.
7. Wischen Sie Feuchtigkeit, die sich innen oder außen an der Ofentür gebildet hat, mit einem weichen Tuch ab. Dies kann auftreten, wenn das Mikrowellengerät unter hoher Luftfeuchtigkeit betrieben wird. Und das ist normal.
8. Gelegentlich muss der Glasteller zum Reinigen entnommen werden. Reinigen Sie den Teller in warmem Seifenwasser oder einer Geschirrspülmaschine.
9. Rollenring und Ofenboden sollten regelmäßig gereinigt werden, um übermäßige Geräusche zu vermeiden. Wischen Sie die Unterseite des Ofens mit einem milden Reinigungsmittel sauber. Der Rollenring kann in milder Seifenlauge oder in der Spülmaschine gereinigt werden. Achten Sie beim Entfernen des Rollenrings darauf, dass Sie ihn in der richtigen Position wieder einsetzen.
10. Entfernen Sie Gerüche aus Ihrem Ofen, indem Sie eine Tasse Wasser mit dem Saft und der Schale einer Zitrone in einer mikrowellengeeigneten Schüssel kombinieren. Mikrowelle für 5 Minuten. Anschließend gründlich auswischen und mit einem weichen Tuch trockenreiben.
11. Wenn die Glühbirne durchbrennt, wenden Sie sich bitte an den Kundendienst, um sie ersetzen zu lassen.
12. Der Ofen sollte regelmäßig gereinigt und eventuelle Speisereste entfernt werden. Wenn der Ofen nicht in einem saubereren Zustand gehalten wird, kann dies zu einer Verschlechterung der Oberfläche führen, die sich negativ auf die Lebensdauer des Geräts auswirken und möglicherweise zu einer gefährlichen Situation führen kann.
13. Bitte entsorgen Sie dieses Gerät nicht im Hausmüll, sondern bei der zuständigen kommunalen Entsorgungsstelle.



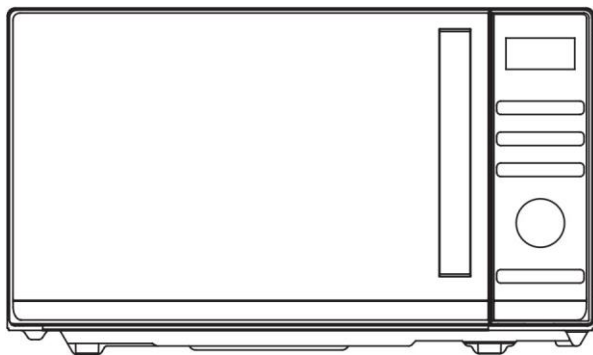
Dieses Gerät ist entsprechend der EU-Richtlinie 2012/19/EG für Elektro- und Elektronik-Altgeräte 2013 für Elektro- und Elektronik-Geräte (WEEE) gekennzeichnet. Unter die WEEE fallende Elektro- und Elektronik-Altgeräte enthalten sowohl umweltschädliche Stoffe (die negativen Folgen für die Umwelt verursachen) als auch wiederverwendbare Grundstoffe. Es ist wichtig, dass die Elektro- und Elektronik-Altgeräte

einer spezifischen Behandlung unterzogen werden, um die Schadstoffe korrekt zu entfernen und zu entsorgen und alle Materialien zurückzugewinnen. Jeder kann dazu beitragen, dass Altelektrogeräte nicht zu einem Umweltproblem werden. Daher sollten unbedingt einige Grundregeln beachtet werden:

- Elektro- und Elektronik-Altgeräte dürfen nicht als Hausmüll entsorgt werden;
- Elektro- und Elektronik-Altgeräte sollten in speziellen Sammelstellen entsorgt werden, die von der Stadtverwaltung oder einem registrierten Unternehmen verwaltet werden.

In vielen Ländern sind inländische Sammlungen für große Elektro- und Elektronik-Altgeräte verfügbar. Bei Kauf eines neuen Geräts können Altgeräte möglicherweise an Händler, die einen kostenlosen 1-zu-1-Umtausch vornehmen müssen, zurückgegeben werden, solange das Gerät dem selben Typ entspricht und über die gleichen Funktionen wie das bereitgestellte Gerät verfügt.

# Instructions pour le four à micro-ondes



Modèle : CMWA23TNDB

Veillez lire attentivement ces instructions avant d'installer et d'utiliser le four.

# SOMMAIRE

<b>LES PRÉCAUTIONS À PRENDRE POUR ÉVITER UN EXCÈS D'EXPOSITION AUX MICRO-ONDES.....</b>	<b>2</b>
<b>CONSIGNES DE SÉCURITÉ IMPORTANTES .....</b>	<b>2</b>
<b>GUIDE D'INSTALLATION .....</b>	<b>5</b>
<b>INSTRUCTIONS DE MISE À LA TERRE.....</b>	<b>6</b>
<b>INTERFERENCES RADIO.....</b>	<b>7</b>
<b>AVANT D'APPELER LE SERVICE APRES-VENTE .....</b>	<b>7</b>
<b>TECHNIQUES DE CUISSON .....</b>	<b>7</b>
<b>GUIDE DES USTENSILES DE CUISINE .....</b>	<b>8</b>
<b>CARACTÉRISTIQUES .....</b>	<b>9</b>
<b>PANNEAU DE CONTRÔLE .....</b>	<b>10</b>
<b>INSTRUCTIONS D'EXPLOITATION .....</b>	<b>11</b>
REGLAGE DE L'HORLOGE .....	11
CUISSON EXPRESS.....	11
CUISSON AU MICRO-ONDES.....	12
DECONGELATION AUTOMATIQUE.....	12
DECONGELATION RAPIDE.....	12
CUISSON EN PLUSIEURS ETAPES .....	13
PRE-REGLAGE .....	13
VERROUILLAGE ENFANT.....	14
CUISSON AUTOMATIQUE .....	14
<b>NETTOYAGE ET ENTRETIEN .....</b>	<b>17</b>

# LES PRÉCAUTIONS À PRENDRE POUR ÉVITER UN EXCÈS D'EXPOSITION AUX MICRO-ONDES

1. N'essayez pas de faire fonctionner le four avec la porte ouverte, car le fonctionnement avec la porte ouverte peut entraîner une exposition dangereuse aux micro-ondes. Il est important de ne pas forcer ou altérer les dispositifs de verrouillage de sécurité.
2. Ne placez aucun objet entre la face avant du four et la porte et ne laissez pas la saleté ou les résidus de nettoyage s'accumuler sur les surfaces d'étanchéité.
3. Ne faites pas fonctionner le four s'il est endommagé. Il est très important que la porte du four ferme correctement et qu'il n'y ait pas de dommages à la
  - a) Porte (y compris toute partie pliée),
  - b) aux charnières et aux loquets (cassés ou desserrés),
  - c) aux joints d'étanchéité de la porte et aux surfaces d'étanchéité.
4. Le four ne doit être réglé ou réparé que par du personnel d'entretien qualifié.

## CONSIGNES DE SÉCURITÉ IMPORTANTES

Lors de l'utilisation d'appareils électriques, des précautions de base doivent être prises, notamment les suivantes :

**AVERTISSEMENT !** Pour réduire les risques de brûlures, de chocs électriques, d'incendie, de blessures ou d'excès d'exposition aux micro-ondes :

1. N'utilisez cet appareil que pour l'usage auquel il est destiné, tel que décrit dans le manuel. N'utilisez pas de produits chimiques ou de vapeurs corrosives dans cet appareil. Ce type de four est spécialement conçu pour chauffer, cuire ou sécher des aliments. Il n'est pas conçu pour une utilisation industrielle ou de laboratoire.
2. Ne faites pas fonctionner le four lorsqu'il est vide.
3. N'utilisez pas cet appareil si son cordon ou sa fiche est endommagé, s'il ne fonctionne pas correctement ou s'il a été endommagé ou fait tomber. Si le câble d'alimentation est endommagé, il doit être remplacé par le fabricant, son agent d'entretien ou des personnes possédant le même type de qualification, afin d'éviter tout danger.

4. **ATTENTION !** --Ne permettez aux enfants d'utiliser le four sans surveillance que lorsque des instructions adéquates leur ont été dispensées de sorte que ces enfants soient capables d'utiliser le four de manière sûre et qu'ils aient compris les dangers impliqués par une utilisation non appropriée.
5. Pour réduire le risque d'incendie dans la cavité du four :
  - Lorsque vous faites chauffer des aliments dans un récipient en plastique ou en papier, gardez un œil sur le four en raison du risque d'inflammation.
  - Retirez les attaches métalliques des sacs en papier ou en plastique avant de placer ces derniers dans le four.
  - Si vous remarquez de la fumée, éteignez ou débranchez l'appareil et garder la porte fermée afin d'étouffer toute flamme.
  - N'utilisez pas la cavité à des fins de stockage. Ne laissez pas de produits en papier, d'ustensiles de cuisine ou d'aliments dans la cavité lorsque le four n'est pas utilisé.
  - Le four à micro-ondes est destiné à chauffer des aliments et des boissons. Le séchage des aliments ou des vêtements et le chauffage des coussins chauffants, des pantoufles, des éponges, des tissus humides et autres peuvent entraîner un risque de blessure, d'inflammation ou d'incendie.
6. **ATTENTION !**--Les liquides ou autres nourritures ne doivent pas être chauffés dans des récipients fermés, car ils risqueraient d'exploser.
7. Le réchauffement au micro-ondes de boissons peut entraîner une forte ébullition, soyez donc prudent au moment de la manipulation du récipient.
8. Ne faites pas frire d'aliments dans le four. L'huile chaude peut endommager les pièces du four et les ustensiles de cuisine, ou même provoquer des brûlures sur la peau.
9. Les œufs dans leur coquille et les œufs durs entiers ne doivent pas être chauffés dans le four à micro-ondes, car ils risqueraient d'exploser, même après que le micro-ondes se soit éteint.
10. Percez les aliments à peau épaisse comme les pommes de terre, les courges entières, les pommes et les châtaignes avant de les faire cuire.
11. Le contenu des biberons et des pots pour bébé doit être remué ou agité et la température de l'aliment doit être vérifiée avant de servir, afin d'éviter toute brûlure.
12. Les ustensiles de cuisson peuvent devenir très chauds à cause du transfert de chaleur des aliments chauffés. Des gants de cuisine peuvent être nécessaires pour manipuler l'ustensile.
13. Les ustensiles doivent être vérifiés pour contrôler qu'ils sont adaptés à l'utilisation au four à micro-ondes.
14. **AVERTISSEMENT !** Il est dangereux pour toute personne autre qu'une personne formée d'effectuer des interventions de service ou de réparation qui impliquent le retrait du couvercle de protection contre l'exposition aux micro-ondes.



15. Ce micro-ondes est conforme à la norme EN 55011/CISPR 11, dans laquelle il appartient à la classe B du groupe 2. Équipements du groupe 2 : le groupe 2 comprend tous les équipements ISM RF dans lesquels de l'énergie radio-électrique dans la gamme de fréquences de 9 kHz à 400 GHz est intentionnellement générée et utilisée, ou seulement utilisée localement, sous forme de rayonnement électromagnétique, de couplage inductif et/ou capacitif, pour le traitement de matériaux, à des fins d'inspection ou d'analyse ou pour le transfert d'énergie électromagnétique. Les équipements de classe B sont des équipements adaptés à une utilisation dans des lieux d'habitation et dans des établissements directement connectés à un réseau d'alimentation électrique basse tension, qui alimente des bâtiments à usage domestique.
16. L'utilisation de cet appareil est interdite à toute personne (y compris les enfants) aux capacités physiques et mentales réduites, ou dépourvues d'expérience dans l'utilisation d'appareillages électriques, à moins qu'elles ne soient surveillées ou instruites par des personnes adultes et responsables pour leur sécurité.
17. Surveillez les enfants afin qu'ils ne jouent pas avec l'appareil.
18. Le four à micro-ondes n'est utilisé que de manière autonome.
19. **ATTENTION !**--N'installez pas le four au-dessus d'une table de cuisson ou d'un autre appareil produisant de la chaleur. Dans le cas contraire, il risquerait d'être endommagé et la garantie serait annulée.
20. Le four à micro-ondes ne doit pas être installé dans une armoire.
21. **AVERTISSEMENT** : l'appareil et ses parties accessibles chauffent pendant l'utilisation.
22. **AVERTISSEMENT !**--Les pièces accessibles peuvent devenir très chaudes pendant l'utilisation. Les jeunes enfants doivent être tenus à l'écart.
23. Pendant l'utilisation, les appareils deviennent chauds. Veillez à ne pas toucher les éléments chauffants à l'intérieur du four, pour les cuisinières et les fours.
24. La température des surfaces accessibles peut monter très haut lorsque l'appareil fonctionne.
25. L'appareil doit être placé contre un mur.
26. L'appareil ne doit pas être utilisé par des enfants ou des personnes ayant des capacités physiques, sensorielles ou mentales réduites, ou manquant d'expérience et de connaissances, sauf s'ils sont surveillés ou qu'ils ont été instruits sur le fonctionnement de l'appareil.
27. **AVERTISSEMENT !**--Si la porte ou les joints de porte sont endommagés, le four ne doit pas être utilisé tant qu'il n'a pas été réparé par une personne qualifiée.
28. Les appareils ne sont pas destinés à être utilisés au moyen d'une minuterie externe ou d'un système de commande à distance séparé.

29. Le four à micro-ondes est réservé à un usage domestique et non à un usage commercial.
30. Ne jamais retirer le calage d'écartement du mur à l'arrière ou sur les côtés, car il assure un minimum de circulation de l'air.
31. Veuillez sécuriser le plateau tournant avant de déplacer l'appareil pour éviter d'abîmer l'appareil .
32. **ATTENTION !**--Il est dangereux de faire réparer ou d'entretenir l'appareil par une personne non qualifiée ou non experte, car dans ces circonstances, il faut retirer le couvercle qui assure la protection contre les radiations micro-ondes. Cela s'applique également au changement du cordon d'alimentation ou de l'éclairage. Dans ce cas, envoyez l'appareil à notre centre d'assistance.
33. Le four à micro-ondes est uniquement destiné à la décongélation, à la cuisson et à la cuisson à la vapeur d'aliments.
34. Utilisez des gants de cuisine si vous devez retirer des aliments chauds.
35. Attention ! De la vapeur s'échappe lorsque vous retirez le couvercle ou le film du récipient.
36. Cet appareil peut être utilisé par des enfants âgés de 8 ans et plus, par des personnes dont les capacités physiques, sensorielles ou mentales sont réduites ou par des personnes dénuées d'expérience et de connaissances, mais qui ont été informées sur la manière d'utiliser l'appareil en toute sécurité, si elles comprennent les risques impliqués. Les enfants ne doivent pas jouer avec l'appareil. Le nettoyage et l'entretien par l'utilisateur ne doivent pas être effectués par des enfants, sauf s'ils sont âgés de 8 ans et plus et qu'ils sont surveillés.
37. Si de la fumée est émise, éteignez ou débranchez l'appareil et gardez la porte fermée afin d'étouffer les flammes.

## GUIDE D'INSTALLATION

1. Veuillez à ce que tous les matériaux d'emballage soient extraits de l'intérieur de la porte.
2. **AVERTISSEMENT !**--Vérifiez que le four n'est pas endommagé, par exemple que la porte n'est pas mal alignée ou déformée, que les joints de porte et la surface d'étanchéité ne soient pas endommagés, que les charnières et les loquets de la porte ne soient pas cassés ou desserrés et que l'intérieur de la cavité ou la porte ne soient pas bosselés. En cas de dommage, ne faites pas fonctionner le four et contactez le personnel qualifié du service après-vente.
3. Ce four à micro-ondes doit être installé sur une surface plane et stable qui supporte son poids et les aliments les plus lourds susceptibles d'être cuits à l'intérieur.
4. N'installez pas le four dans un emplacement où de la chaleur et de l'humidité sont susceptibles d'être générées, ni près de matériaux combustibles.

5. Pour un fonctionnement correct, le four doit avoir un débit d'air suffisant. Prévoyez 20 cm d'espace au-dessus du four, 10 cm à l'arrière et 5 cm de chaque côté. Ne couvrez ni ne bloquez aucune ouverture de l'appareil. Ne démontez pas les pieds de l'appareil.
6. Ne faites pas fonctionner le four si le plateau en verre, le support tournant et l'arbre ne sont pas en bonne position.
7. Assurez-vous que le cordon d'alimentation n'est pas endommagé et qu'il ne passe pas sous le four ou sur une surface chaude ou coupante.
8. La prise doit être facilement accessible afin de pouvoir débrancher l'appareil en cas d'urgence.
9. N'utilisez pas le four à l'extérieur.

## INSTRUCTIONS DE MISE À LA TERRE

Cet appareil doit être mis à la terre. Ce four est équipé d'un cordon ayant un fil de terre avec une prise de terre. Il doit être branché dans une prise murale correctement installée et avec mise à la terre. En cas de court-circuit électrique, la mise à la terre réduit le risque de choc électrique en fournissant un fil de fuite pour le courant électrique. Il est recommandé de prévoir un circuit séparé ne desservant que le four. L'utilisation d'un courant de haute tension est dangereuse et peut entraîner un incendie ou un autre accident provoquant des dommages au four. **AVERTISSEMENT !** Une utilisation incorrecte de la prise de terre peut entraîner un risque de choc électrique. Remarque :

1. Si vous avez des questions concernant la mise à la terre ou les instructions électriques, consultez un électricien qualifié ou une personne du service d'assistance.
2. Ni le fabricant ni le revendeur ne peuvent être tenus pour responsables des dommages causés au four ou des blessures corporelles résultant du non-respect des procédures de raccordement électrique.

Les fils de ce câble principal sont colorés selon le code suivant :

**Vert et jaune = TERRE**

**Bleu = NEUTRE**

**Marron = SOUS TENSION**

# INTERFERENCES RADIO

Le fonctionnement du four à micro-ondes peut provoquer des interférences avec votre radio, votre télévision ou tout autre équipement semblable. Lorsqu'il y a interférence, elle peut être réduite ou éliminée en prenant les mesures suivantes :

1. Nettoyez la porte et la surface d'étanchéité du four.
2. Réorientez l'antenne de réception de la radio ou de la télévision.
3. Déplacez le four à micro-ondes par rapport au récepteur.
4. Éloignez le four à micro-ondes du récepteur.
5. Branchez le four à micro-ondes dans une prise différente de sorte que le four à micro-ondes et le récepteur soient sur des circuits différents.

# AVANT D'APPELER LE SERVICE APRES-VENTE

Avant de vous adresser au service d'assistance, veuillez vérifier les points suivants :

- Vérifiez que le four est bien branché. Si ce n'est pas le cas, débranchez la fiche de la prise, attendez 10 secondes, et rebranchez-la en toute sécurité.
- Vérifiez si un fusible ou le disjoncteur principal a sauté. S'ils semblent fonctionner correctement, testez la prise avec un autre appareil.
- Vérifiez que le panneau de commande est correctement programmé et que la minuterie est réglée.
- Vérifiez que la porte est bien fermée, après avoir engagé le système de verrouillage de la porte. Si la porte n'est pas correctement fermée, l'énergie des micro-ondes ne circulera pas à l'intérieur.

SI AUCUN DES ÉLÉMENTS CI-DESSUS NE PERMET DE CORRIGER LA SITUATION, ALORS CONTACTEZ UN TECHNICIEN QUALIFIÉ. N'ESSAYEZ PAS DE RÉGLER OU DE RÉPARER LE FOUR PAR VOUS-MÊME.

# TECHNIQUES DE CUISSON

1. Disposez la nourriture avec soin. Placez les morceaux les plus épais vers l'extérieur du plat.
2. Regardez le temps de cuisson. Cuisinez pendant la durée la plus courte indiquée et prolongez si nécessaire. Les aliments excessivement cuits peuvent faire de la fumée ou s'enflammer.
3. Couvrez les aliments pendant la cuisson. Les couvercles empêchent les éclaboussures et aident les aliments à cuire uniformément.

4. Retournez les aliments une fois pendant la cuisson au micro-ondes, pour en accélérer la cuisson s'il s'agit d'aliments tels que du poulet ou des hamburgers. Les gros aliments comme les rôtis doivent être retournés au moins une fois.
5. Réorganisez les aliments, tels que les boulettes de viande, à mi-cuisson, en plaçant les morceaux du dessous dessus et vice versa et les morceaux du centre du plat vers l'extérieur et vice versa.

## GUIDE DES USTENSILES DE CUISINE

1. Les micro-ondes ne peuvent pas contenir de métal. N'utilisez que des ustensiles adaptés aux fours à micro-ondes. Les récipients métalliques pour les aliments et les boissons ne sont pas autorisés pendant la cuisson au micro-ondes. Cette exigence n'est pas applicable si le producteur précise la taille et la forme des récipients métalliques adaptés à la cuisson au micro-ondes.
2. Le micro-ondes ne peut pas pénétrer dans le métal, c'est pourquoi les ustensiles en métal ou les plats avec des garnitures métalliques ne doivent pas être utilisés.
3. N'utilisez pas de produits en papier recyclé pour la cuisson au micro-ondes, car ils peuvent contenir de petits fragments de métal qui peuvent provoquer des étincelles et/ou des incendies.
4. Les plats ronds ou ovales plutôt que carrés ou oblongs sont préférés, car dans les coins la nourriture a tendance à trop cuire.
5. Des bandes étroites de papier d'aluminium peuvent être utilisées pour éviter la cuisson excessive des morceaux les plus exposés. Mais attention, n'en utilisez pas trop et gardez une distance de 2,5 cm entre la feuille et la paroi de la cavité.

La liste ci-dessous est un guide général pour vous aider à choisir les bons ustensiles.

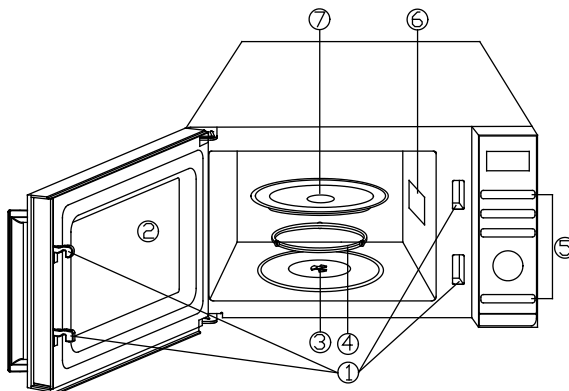
Supports de cuisson	Cuisson aux micro-ondes
Verre résistant à la chaleur	Oui
Verre non résistant à la chaleur	Non
Céramiques résistantes à la chaleur	Oui
Plat en plastique pour micro-ondes	Oui
Papier de cuisine	Oui
Plateau en métal	Non
Étagère en métal	Non
Feuilles et récipients en aluminium	Non

# CARACTÉRISTIQUES

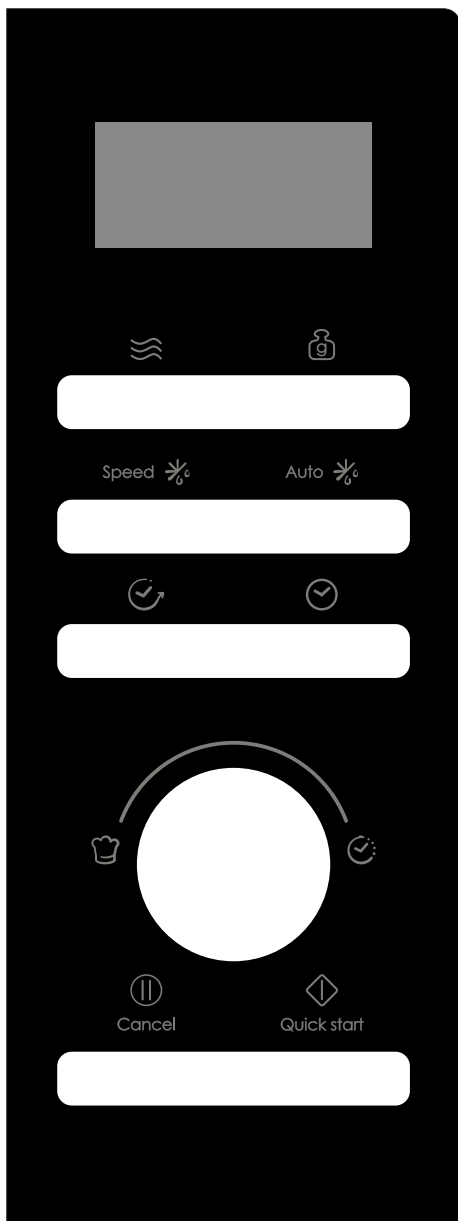
Consommation d'énergie	230 V/50 Hz, 1400 W (micro-ondes)
Rendement	900 W
Fréquence de fonctionnement	2450MHz
Dimensions externes	281mm(H)×483mm(W)×389mm(D)
Dimensions de la cavité du four	220mm(H)×340mm(W)×320mm(D)
Capacité du four	Compact 23 Litres
Poids net	Environ 13,1 kg

# DIAGRAMME DU PRODUIT

1. Système de verrouillage de sécurité de la porte
  2. Fenêtre du four
  3. Arbre
  4. Anneau tournant
  5. Panneau de commande
  6. guide à ondes
  7. Plateau en verre
- (Veuillez ne pas retirer la plaque de mica qui recouvre le guide d'ondes)



# PANNEAU DE CONTRÔLE



## ● AFFICHAGE

Le temps de cuisson, la puissance, les indicateurs et l'heure de l'horloge sont affichés.

## ● PUISSANCE

Appuyez sur cette touche pour régler le niveau de puissance de cuisson au micro-ondes.

## ● RÉGLAGE DU POIDS

Appuyez pour régler le poids des aliments ou les portions.

## ● DÉCONGÉLATION RAPIDE

Speed 

Appuyez sur cette touche pour décongeler les aliments en fonction du temps.

## ● DÉGIVRAGE AUTOMATIQUE

Auto 

Appuyez sur cette touche pour décongeler les aliments en fonction de leur poids.

## ● PRESET

Permet de régler le four pour qu'il se mette en marche à une heure ultérieure.

## ● CLOCK

Appuyez sur cette touche pour régler l'heure.

## ● MENU/TIME (cadran)

Tournez la molette pour sélectionner les menus de cuisson automatique.

Tournez le cadran pour régler l'heure.

## ● Pause/Annulation


Appuyez une fois pour arrêter temporairement la cuisson, ou deux fois pour l'annuler complètement.

## ● DÉMARRAGE/ DÉMARRAGE RAPIDE

Appuyez sur cette touche pour lancer les programmes de cuisson et de décongélation.

Il suffit d'appuyer plusieurs fois sur ce bouton pour régler le temps de cuisson et cuire immédiatement à pleine puissance.

# INSTRUCTIONS D'EXPLOITATION

- Lorsque le four est branché pour la première fois, un signal sonore retentit et l'écran affiche «  » et « 1:01 ».
- En cours de réglage, en cas d'arrêt d'au moins 25 secondes, le four revient en mode veille.
- Pendant la cuisson, si vous appuyez une fois sur la touche PAUSE/CANCEL, le programme sera mis en pause, puis appuyez sur la touche START/QUICK START pour reprendre. Mais si vous appuyez deux fois sur le bouton PAUSE/CANCEL, le programme sera annulé.
- Une fois la cuisson terminée, l'écran affiche End et un signal sonore retentit toutes les deux minutes jusqu'à ce que l'utilisateur appuie sur la touche PAUSE/CANCEL ou ouvre la porte.
- En cours de fonctionnement, si vous appuyez sur un bouton valide, le buzzer sonne une fois, mais si vous appuyez sur un bouton invalide, le buzzer sonne deux fois.

## REGLAGE DE L'HORLOGE

---

Il s'agit d'une horloge de 12 ou 24 heures. Vous pouvez choisir de régler l'heure de l'horloge sur 12 ou 24 heures en appuyant sur le bouton CLOCK en mode veille.

1. En mode veille, appuyez plusieurs fois sur la touche CLOCK pour sélectionner l'horloge 12 ou 24 heures.
2. Tournez le bouton MENU/TIME pour régler le chiffre des heures.
3. Appuyez une fois sur le bouton CLOCK.
4. Tournez le bouton MENU/TIME pour régler le chiffre des minutes.
5. Appuyez sur le bouton CLOCK pour confirmer.

**REMARQUE** : Pendant la cuisson, vous pouvez vérifier l'heure actuelle en appuyant sur la touche CLOCK.

## CUISSON EXPRESS

---

Utilisez cette fonction pour programmer le four de façon à ce que les aliments soient cuits au micro-ondes à 100 % de leur puissance. En mode veille, appuyez plusieurs fois sur la touche START/QUICK START pour régler le temps de cuisson (chaque pression augmente de 30 secondes, et jusqu'à 10 minutes), le four commence à cuire immédiatement à pleine puissance. Pendant la cuisson, vous pouvez prolonger le temps de cuisson en appuyant sur la touche MISE EN MARCHÉ/MISE EN MARCHÉ RAPIDE.



## CUISSON AU MICRO-ONDES

---

1. En mode veille, appuyez plusieurs fois sur la touche POWER pour sélectionner le niveau de puissance.
2. Tournez la molette MENU/TIME pour régler le temps de cuisson. La durée la plus longue est 95 minutes.
3. Appuyez sur le bouton MISE EN MARCHÉ/MISE EN MARCHÉ RAPIDE pour confirmer .

### Sélectionnez le niveau de puissance en appuyant sur le bouton POWER.

Appuyez sur le bouton d'alimentation	Puissance (Écran)	Appuyez sur le bouton d'alimentation	Puissance (Écran)
Une fois	100% (100)	7 fois	40% (40)
Deux fois	90% (90)	8 fois	30% (30)
3 fois	80% (80)	9 fois	20% (20)
4 fois	70% (70)	10 fois	10% (10)
5 fois	60% (60)	11 fois	00% (00)
6 fois	50% (50)		

**REMARQUE :** Pendant la cuisson, vous pouvez vérifier le niveau de puissance de cuisson actuel en appuyant sur la touche POWER.

## DECONGELATION AUTOMATIQUE

---

Le temps de décongélation et le niveau de puissance sont automatiquement réglés une fois que le poids des aliments est programmé. Le poids des aliments congelés varie de 100 g à 1800 g.

1. En mode veille, appuyez une fois sur la touche AUTO DEFROST.
2. Appuyez plusieurs fois sur WEIGHT ADJUST pour sélectionner le poids de l'aliment.
3. Appuyez sur le bouton MISE EN MARCHÉ/MISE EN MARCHÉ RAPIDE pour confirmer.

**REMARQUE :** Pendant le dégivrage, le système fait une pause et émet un son pour rappeler à l'utilisateur de retourner les aliments, puis il appuie sur la touche START/QUICK START pour reprendre le dégivrage.

## DECONGELATION RAPIDE

---

1. En mode veille, appuyez une fois sur la touche DÉCONGÉLATION RAPIDE.
2. Tournez la molette MENU/TIME pour régler le temps de dégivrage. La durée la plus longue est 95 minutes.
3. Appuyez sur le bouton MISE EN MARCHÉ/MISE EN MARCHÉ RAPIDE pour confirmer.

**REMARQUE :** Pendant le dégivrage, le système fait une pause et émet un son pour rappeler à l'utilisateur de retourner les aliments, puis il appuie sur START/QUICK START pour reprendre le dégivrage.

## CUISSON EN PLUSIEURS ETAPES

---

Votre four peut être programmé pour un maximum de 2 séquences de cuisson automatiques. Supposons que vous vouliez définir le programme de cuisson suivant :

Cuisson au micro-ondes



cuisson par micro-ondes (avec un niveau de puissance plus faible)

1. Saisissez le premier programme de cuisson au micro-ondes. N'appuyez pas sur la touche START/QUICK START.
2. Saisissez le deuxième programme de cuisson du micro-ondes.
3. Appuyez sur le bouton MISE EN MARCHÉ/MISE EN MARCHÉ RAPIDE pour confirmer.

**REMARQUE :** Les menus de cuisson express, de décongélation automatique, de décongélation rapide et de cuisson automatique ne peuvent pas être réglés en cas de cuisson en plusieurs étapes.

## NETTOYAGE AUTOMATIQUE (Appartenir au menu de cuisson automatique)

---

Mettez un bol de 300 g d'eau dans le four et fermez la porte.

1. En mode veille, tournez la molette MENU/TIME une fois dans le sens inverse des aiguilles d'une montre, puis tournez la molette jusqu'à ce que l'écran affiche «A-14» et « AUTO ».
2. Appuyez une fois sur le bouton WEIGHT ADJUST.
3. Appuyez sur la touche START/QUICK START pour commencer.

**REMARQUE :** Le temps de nettoyage est de 10 minutes.

## PRE-REGLAGE

---

La fonction de pré-réglage permet de mettre le four en marche à une heure ultérieure.

1. Entrez un programme de cuisson (à l'exception de la cuisson express, de la décongélation rapide et de la décongélation automatique).
2. Appuyez une fois sur la touche PRESET.
3. Tournez le bouton MENU/TIME pour régler le chiffre des heures.
4. Appuyez une fois sur la touche PRESET.
5. Tournez le bouton MENU/TIME pour régler le chiffre des minutes.
6. Appuyez sur le bouton MISE EN MARCHÉ/MISE EN MARCHÉ RAPIDE pour confirmer.

**REMARQUE :** Lorsque le four reste en mode pré-réglé, vous pouvez vérifier l'heure pré-réglée en appuyant une fois sur la touche PRESET. Si vous appuyez sur la touche PAUSE/CANCEL lorsque l'écran affiche l'heure, la fonction peut être annulée.

## VERROUILLAGE ENFANT

La sécurité enfant empêche toute utilisation non surveillée par des enfants.

Pour entrer dans la sécurité enfant : En mode veille, si aucune opération n'est effectuée dans un délai d'une minute, le four passe automatiquement en mode sécurité enfants et le témoin de verrouillage s'allume. À l'état verrouillé, tous les boutons sont désactivés.

Pour annuler : En mode de verrouillage enfant, ouvrez ou fermez la porte du four pour annuler le programme et le témoin de verrouillage disparaît.

## CUISSON AUTOMATIQUE

Pour l'aliment ou le mode de cuisson suivant, il n'est pas nécessaire de programmer le temps et la puissance de cuisson. Il suffit d'indiquer le type d'aliment que vous souhaitez cuisiner ainsi que le poids ou les portions de cet aliment.

1. En mode veille, tournez le bouton MENU/TIME dans le sens inverse des aiguilles d'une montre pour sélectionner le code alimentaire.
2. Appuyez plusieurs fois sur la touche WEIGHT ADJUST pour régler le poids des aliments ou les portions.
3. Appuyez sur le bouton MISE EN MARCHÉ/MISE EN MARCHÉ RAPIDE pour confirmer.

### Menus de cuisson automatique :

Code	Aliment	Poids/ Quantité	Remarques
A-01	Lait/Café/Thé (200 ml/tasse, 1-3 tasses)	1 tasse	L'écran affiche le nombre de portions au lieu du poids de l'aliment
		2 tasses	
		3 tasses	
A-02	Pizza	150 g	
		300 g	
		450 g	
A-03	Pomme de terre	100 g	
		200 g	
		300 g	
A-04	RÉCHAUFFAGE AUTOMATIQUE	200 g	
		300 g	
		400 g	
		500 g	
		600 g	
		700 g	
A-05	Poisson	800 g	
		200 g	

Code	Aliment	Poids/ Quantité	Remarques
		300 g	
		400 g	
		500 g	
		600 g	
A-06	Popcorns	100 g	
A-07	Soupe	1	200 g/portion
		2	
		3	
A-08	Porridge	50 g	
		100 g	
		150 g	
A-09	Légumes frais	200 g	
		300 g	
		400 g	
		500 g	
		600 g	
A-10	Légumes congelés	200 g	
		300 g	
		400 g	
		500 g	
		600 g	
A-11	Riz	150 g	
		300 g	
		450 g	
		600 g	
A-12	Spaghetti/Pasta	100 g	
		200 g	
		300 g	
A-13	Dîner/repas surgelé	250 g	
		500 g	
A-14	Autoclean/(la performance serait la goutte d'eau remplissant l'intérieur de la cavité)		

Le résultat de la cuisson automatique dépend de facteurs tels que la forme et la taille de l'aliment, de votre préférence personnelle quant à la cuisson de certains aliments, ainsi que de la façon dont vous avez placé les aliments dans le four. Si vous trouvez que de toute façon le résultat n'est pas parfaitement satisfaisant, veuillez régler la durée de cuisson en conséquence.

# NETTOYAGE ET ENTRETIEN

1. Éteignez le four et débranchez son cordon d'alimentation du mur lors du nettoyage du four.
2. Gardez l'intérieur du four propre. Lorsque des éclaboussures d'aliments ou des liquides renversés adhèrent aux parois du four, essuyez-les avec un chiffon humide. Utilisez un détergent doux si le four est très sale. Évitez d'utiliser des sprays ou d'autres nettoyants agressifs. Ils risquent de tacher, de laisser des traces ou de ternir la surface de la porte.
3. L'extérieur du four doit être nettoyé avec un chiffon humide. Pour éviter d'endommager les pièces de fonctionnement à l'intérieur du four, il ne faut pas laisser l'eau s'infiltrer dans les ouvertures de ventilation.
4. Essuyez fréquemment la porte et la fenêtre des deux côtés, les joints de la porte et les parties adjacentes avec un chiffon humide pour éliminer tout déversement ou éclaboussure. N'utilisez pas de nettoyant abrasif.
5. Les nettoyeurs à vapeur ne doivent pas être utilisés.
6. Ne laissez pas le panneau de commande mouillé. Nettoyez-le avec un chiffon doux et humide. Lorsque vous nettoyez le panneau de commande, laissez la porte du four ouverte, pour éviter que le four ne s'allume accidentellement.
7. Si de la vapeur s'accumule à l'intérieur ou à l'extérieur de la porte du four, essuyez-la avec un chiffon doux. Cela peut se produire lorsque le four à micro-ondes est utilisé dans des conditions d'humidité élevée. Et c'est normal.
8. Il est parfois utile de retirer le plateau en verre pour le nettoyer. Lavez le plateau dans de l'eau chaude et savonneuse ou dans un lave-vaisselle.
9. L'anneau tournant et le bas de la cavité du four doivent être nettoyés régulièrement pour éviter tout bruit excessif. Il suffit d'essuyer la surface inférieure du four avec un détergent doux. L'anneau tournant peut être lavé dans de l'eau douce et savonneuse ou dans un lave-vaisselle. Après avoir retiré l'anneau tournant, veillez à le réinstaller dans la bonne position.
10. Éliminez les odeurs de votre four en posant une tasse d'eau mélangée au jus et à la peau d'un citron dans le micro-ondes. Faites fonctionner votre micro-ondes pendant 5 minutes. Essuyez et séchez avec un chiffon doux.
11. Si l'ampoule grille, veuillez contacter le service client pour la faire remplacer.
12. Le four doit être nettoyé régulièrement et tout dépôt de nourriture doit être éliminé. Si le four n'est pas maintenu propre, cela peut détériorer les surfaces de l'appareil, nuire à sa durée de vie et éventuellement créer une situation dangereuse.
13. Veuillez ne pas jeter cet appareil dans les ordures ménagères ; il doit être déposé dans un centre de tri spécialement prévu par votre municipalité.

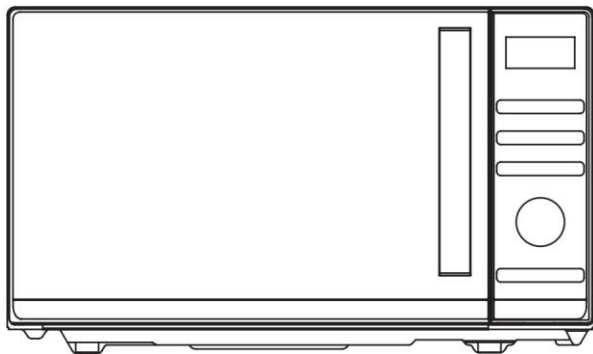


Cet appareil est conforme à la directive Européenne 2012/19/UE relative aux règlements 2013 sur les Déchets d'équipements électriques et électroniques (DEEE) (Waste Electrical and Electronic Equipment - WEEE). La catégorie DEEE recouvre à la fois les substances polluantes (pouvant avoir des retombées négatives sur l'environnement) et les composants de base (pouvant être réutilisés). Il est important que les DEEE subissent des traitements spécifiques pour éliminer et jeter correctement les polluants et récupérer tous les matériaux. Chaque individu peut jouer un rôle important en veillant à ce que les produits DEEE ne deviennent pas un problème pour l'environnement. Pour cela, il est essentiel de suivre quelques règles de base :

- les DEEE ne doivent pas être traités comme des déchets ménagers ;
- les DEEE doivent être amenés à des zones de collecte spécifiques gérées par le conseil municipal ou une société dûment enregistrée.

Dans de nombreux pays, des décharges domestiques peuvent être disponibles pour de grands DEEE. Lorsque vous achetez un nouvel appareil, l'ancien peut être retourné au détaillant qui est en devoir de le récupérer sans frais, à titre exceptionnel, tant que l'équipement est de type équivalent et a les mêmes fonctions que l'équipement fourni.

# Mikrohullámú sütő utasítások



Modell: CMWA23TNDB

Kérjük, hogy a sütő telepítése és üzemeltetése előtt figyelmesen olvassa el ezeket az utasításokat.

# TARTALOM

<b>ÓVINTÉZKEDÉSEK A TÚLZOTT MIKROHULLÁMÚ ENERGIÁNAK VALÓ ESETLEGES KITETTSÉG ELKERÜLÉSE ÉRDEKÉBEN .....</b>	<b>2</b>
<b>FONTOS BIZTONSÁGI UTASÍTÁSOK.....</b>	<b>2</b>
<b>TELEPÍTÉSI ÚTMUTATÓ.....</b>	<b>5</b>
<b>FÖLDELÉSI UTASÍTÁSOK.....</b>	<b>6</b>
<b>RÁDIÓZAVAR.....</b>	<b>6</b>
<b>A SZERVIZ IGÉNYBEVÉTELE ELŐTT .....</b>	<b>6</b>
<b>FŐZÉSI TECHNIKÁK .....</b>	<b>7</b>
<b>FŐZŐESZKÖZÖK ÚTMUTATÓ .....</b>	<b>7</b>
<b>SPECIFIKÁCIÓK .....</b>	<b>8</b>
<b>VEZÉRLŐPANEL .....</b>	<b>10</b>
<b>HASZNÁLATI UTASÍTÁSOK.....</b>	<b>11</b>
AZ ÓRA BEÁLLÍTÁSA.....	11
EXPRESSZ FŐZÉS.....	11
FŐZÉS MIKROHULLÁMMAL .....	12
AUTOMATIKUS LEOLVASZTÁS .....	12
GYORS LEOLVASZTÁS.....	12
TÖBBLÉPCSŐS FŐZÉS.....	13
ELŐRE BEÁLLÍTOTT TÉTEL .....	13
GYEREKZÁR .....	13
AUTOMATIKUS FŐZÉS .....	15
<b>TISZTÍTÁS ÉS ÁPOLÁS.....</b>	<b>17</b>



# ÓVINTÉZKEDÉSEK A TÚLZOTT MIKROHULLÁMÚ ENERGIÁNAK VALÓ ESETLEGES KITETTSÉG ELKERÜLÉSE ÉRDEKÉBEN

1. Ne próbálja meg ezt a sütőt nyitott ajtóval üzemeltetni, mivel a nyitott ajtós működés káros mikrohullámú energiának való kitettséget eredményezhet. Fontos, hogy a biztonsági reteszeléseket nem szabad meghíúsítani vagy megbabrálni.
2. Ne helyezzen semmilyen tárgyat a sütő elülső felülete és az ajtó közé, és ne hagyja, hogy szennyeződés vagy tisztítószer-maradék gyűljön össze a tömítőfelületeken.
3. Ne működtesse a sütőt, ha az sérült. Nagyon fontos, hogy a sütő ajtaja megfelelően záródjon, és ne sérüljön meg a
  - a) Ajtó (beleértve a hajlított ajtót is),
  - b) Pántok és reteszek (törött vagy meglazult),
  - c) Ajtó-tömítések és tömítőfelületek.
4. A sütőt csak szakképzett szervizszemélyzet állíthatja be vagy javíthatja.

## FONTOS BIZTONSÁGI UTASÍTÁSOK

Az elektromos készülék használatakor alapvető biztonsági óvintézkedéseket kell betartani, beleértve a következőket:

**FIGYELEM!**--Az égési sérülések, áramütés, tűz, személyi sérülés vagy túlzott mikrohullámú energiának való kitettség kockázatának csökkentése érdekében:

1. A készüléket csak a használati útmutatóban leírt rendeltetésszerű használatra használja. Ne használjon maró hatású vegyszereket vagy gőzöket ebben a készülékben. Ezt a sütőtípust kifejezetten élelmiszerek melegítésére, főzésére vagy szárítására tervezték. Nem ipari vagy laboratóriumi használatra tervezték.
2. Ne működtesse a sütőt üres állapotban.
3. Ne működtesse a készüléket, ha sérült a vezeték vagy a dugó, ha nem működik megfelelően, vagy ha megsérült vagy leesett. Ha a tápkábel megsérül, a kockázatok elkerülése végett a gyártó által megadott márkaszerviznek vagy megfelelően képzett szakembernek kell gondoskodnia a cseréjéről.

4. **FIGYELEM!**--Kizárólag akkor engedje meg a gyermekeknek, hogy felügyelet nélkül használják a sütőt, ha megfelelő utasításokat kaptak, hogy a gyermek képes legyen a sütő biztonságos használatára, és megérti a helytelen használat veszélyeit.
5. A sütőtérben keletkező tűz veszélyének csökkentése érdekében:
  - Ha műanyag vagy papírtartályban lévő ételt melegít, tartsa szemmel a sütőt a gyulladás lehetősége miatt.
  - Távolítsa el a drótkötegeket a papír- vagy műanyag zacskókból, mielőtt a zacskót a sütőbe helyezi.
  - Ha füstöt észlel, kapcsolja ki vagy húzza ki a készüléket, és tartsa zárva az ajtót, hogy elnyomja a lángokat.
  - Ne használja az üreget tárolási célokra. Ne hagyjon papírárut, főzőedényeket vagy ételt az üregben, amikor nem használja.
  - A mikrohullámú sütő ételek és italok melegítésére szolgál. Az ételek vagy ruhák szárítása és a melegítőpárnák, papucsok, szivacsok, nedves ruhák és hasonló melegítése sérülés, gyulladás vagy tűzveszélyt okozhat.
6. **FIGYELEM!**--Folyadékot vagy egyéb élelmiszereket nem szabad zárt tartályokban melegíteni, mivel azok robbanásveszélyesek.
7. Az italok mikrohullámú melegítése késleltetett forráshoz vezethet, ezért az edény kezelésénél óvatosan kell eljárni.
8. Ne süsse az ételt a sütőben. A forró olaj károsíthatja a sütő alkatrészeit és eszközeit, és akár bőrgégést is okozhat.
9. A héjas tojásokat és az egész keményre főtt tojásokat nem szabad mikrohullámú sütőben melegíteni, mivel a mikrohullámú melegítés befejezése után is felrobbanhatnak.
10. Főzés előtt szűrje át a nehéz héjú ételeket, például a burgonyát, az egész tököket, az almát és a gesztenyét.
11. A cumisüvegek és bébiételes üvegek tartalmát meg kell keverni vagy fel kell rázni, és a tálalás előtt ellenőrizni kell a hőmérsékletet, hogy elkerüljük az égési sérüléseket.
12. A főzőedények felforrósodhatnak a felhevített ételek által átadott hő miatt. Az edények kezeléséhez szükség lehet lábtörlőre.
13. Az edényeket ellenőrizni kell, hogy alkalmasak-e a mikrohullámú sütőben való használatra.
14. **FIGYELEM!**--Veszélyes, ha képzett személyen kívül bárki más olyan szerviz- vagy javítási műveletet végez, amely a mikrohullámú energiának való kitettség elleni védelmet nyújtó burkolat eltávolításával jár.
15. Ez a mikrohullámú sütő megfelel az EN 55011/CISPR 11 szabványnak, ebben a szabványban a B osztály 2. csoportjába tartozik. 2. csoportba tartozó berendezések: a 2. csoportba tartozik minden olyan ISM RF berendezés, amelyben a 9 kHz és 400 GHz közötti frekvenciatartományba tartozó rádiófrekvenciás energiát szándékosan generálnak és használnak vagy csak helyileg használnak elektromágneses sugárzás, induktív és/vagy

kapacitív csatolás formájában, anyagkezelés, ellenőrzés/elemzés céljából vagy elektromágneses energia átvitelére. A B. osztályú berendezések olyan berendezések, amelyek alkalmasak lakóhelyi környezetben és olyan létesítményekben való használatra, amelyek közvetlenül a háztartási célú épületeket ellátó kisfeszültségű hálózathoz csatlakoznak.

16. A készüléket nem használhatják csökkent fizikai, érzékszervi vagy mentális képességekkel rendelkező személyek (ideértve a gyerekeket), illetve a megfelelő tapasztalattal vagy tudással nem rendelkező személyek, amennyiben a biztonságukért felelő személy nem felügyeli a készülék használatát és szolgál útmutatással.
17. Felügyelje a gyermekeket, hogy azok ne játsszanak a készülékkel.
18. A mikrohullámú sütő csak szabadon álló készülékben használható.
19. **FIGYELEM!**--Ne telepítse a sütőt tűzhely vagy más hőtermelő készülék fölé, ha telepítve megsérülhet, és a garancia elkerülhető lenne.
20. A mikrohullámú sütő nem helyezhető szekrénybe.
21. **FIGYELMEZTETÉS:** a készülék és annak hozzáférhető részei használat közben felforrósodnak.
22. **FIGYELEM!**--A hozzáférhető alkatrészek használat közben felforrósodhatnak. Tartsa távol a kisgyermeket.
23. A készülék használat közben felforrósodik. Gondoskodni kell arról, hogy a sütő belsejében lévő fűtőelemek ne nyomódjanak a főzősorok és sütők esetében.
24. A hozzáférhető felületek hőmérséklete magas lehet, ha a készülék működik.
25. A készüléket a falhoz kell helyezni.
26. A készüléket nem használhatják gyermekek vagy csökkent fizikai, érzékszervi vagy szellemi képességekkel rendelkező, illetve tapasztalat és ismeretek hiányában nem rendelkező személyek, kivéve, ha felügyeletet vagy oktatást kaptak.
27. **FIGYELEM!**--Ha az ajtó vagy az ajtótömítések megsérültek, a sütőt nem szabad üzemeltetni, amíg azt hozzáférő személy meg nem javította.
28. A készülékeket nem külső időzítővel vagy külön távvezérlő rendszerrel való működtetésre szánták.
29. A mikrohullámú sütő kizárólag háztartási használatra, nem kereskedelmi használatra készült.
30. Soha ne távolítsa el a hátul vagy oldalt lévő távolságtartót, mivel az biztosítja a minimális távolságot a faltól a levegő keringéséhez.
31. Kérjük, a készülék mozgatása előtt rögzítse a lemezjátszót a sérülések elkerülése érdekében.
32. **FIGYELEM!**--Veszélyes a készüléket csak szakemberrel javíttatni vagy karbantartani, mert ilyen körülmények között a mikrohullámú sugárzás elleni védelmet biztosító burkolatot el kell távolítani. Ez vonatkozik a tápkábel vagy a világítás cseréjére is. Ezekben az esetekben küldje el a készüléket szervizközpontunkba.

33. A mikrohullámú sütő kizárólag ételek felolvasztására, főzésére és párolására szolgál.
34. Használjon kesztyűt, ha melegített ételt vesz ki.
35. Vigyázat! A gőz távozni fog, amikor kinyitja a fedelet vagy a fóliát becsomagolja.
36. A készüléket 8 év fölötti gyermekek, csökkent fizikai, érzékszervi és mentális képességekkel rendelkező, illetve kellő tapasztalattal nem rendelkező személyek, csak felügyelet mellett, illetve akkor használhatják, ha már rendelkeznek a készülék biztonságos használatára és a kockázatokra vonatkozó tudással. Gyermekek ne játsszanak a készülékkel. A tisztítást és a felhasználói karbantartást csak 8 éves vagy annál idősebb gyermekek végezhetik, akiket felügyelet alatt tartanak.
37. Ha füstöt bocsát ki, kapcsolja ki vagy húzza ki a készüléket, és tartsa zárva az ajtót, hogy elnyomja a lángokat.

## TELEPÍTÉSI ÚTMUTATÓ

1. Győződjön meg róla, hogy az összes csomagolóanyagot eltávolította az ajtó belsejéből.
2. **FIGYELEM!**--A sütőt ellenőrizze, hogy nincsenek-e rajta sérülések, például elferdült vagy meghajlott ajtó, sérült ajtó-tömítések és tömítőfelület, törött vagy laza ajtópántok és reteszek, valamint horpadások az üreg belsejében vagy az ajtón. Ha bármilyen sérülést észlel, ne működtesse a sütőt, és forduljon szakképzett szerviz szakemberhez.
3. Ezt a mikrohullámú sütőt sima, stabil felületre kell helyezni, hogy elbirja a súlyát és a sütőben valószínűleg megsütendő legnehezebb ételeket.
4. Ne helyezze a sütőt olyan helyre, ahol hő, nedvesség vagy magas páratartalom keletkezik, illetve éghető anyagok közelébe.
5. A helyes működéshez a sütőnek megfelelő légáramlással kell rendelkeznie. A sütő fölött 20 cm, hátul 10 cm, mindkét oldalon 5 cm helyet hagyjon. Ne takarja le és ne zárja el a készülék bármelyik nyílását. Ne távolítsa el a lábakat.
6. Ne működtesse a sütőt anélkül, hogy az üvegtálca, a görgőtartó és a tengely a megfelelő pozícióban lenne.
7. Győződjön meg arról, hogy a tápkábel sértetlen, és nem fut a sütő alatt vagy bármilyen forró vagy éles felületen.
8. A konnektornak könnyen hozzáférhetőnek kell lennie, hogy vészhelyzetben könnyen kihúzható legyen.
9. Ne használja a sütőt a szabadban.

# FÖLDELÉSI UTASÍTÁSOK

A készüléket földelni kell. Ez a sütő földelő vezetékkel ellátott vezetékkel van felszerelve, földelő dugóval. A készüléket megfelelően felszerelt és földelt fali csatlakozóaljzatba kell csatlakoztatni. Elektromos rövidzárlat esetén a földelés csökkenti az áramütés kockázatát azáltal, hogy menekülési vezetékkel biztosít az elektromos áram számára. Javasoljuk, hogy csak a sütőt kiszolgáló külön áramkört alakítsanak ki. A nagyfeszültség használata veszélyes, és tűz vagy más, sütő károsodását okozó baleset lehet a következménye. **FIGYELEM!**–A földelődugó helytelen használata áramütés veszélyét eredményezheti. Megjegyzés:

1. Ha bármilyen kérdése van a földeléssel vagy az elektromos utasításokkal kapcsolatban, forduljon szakképzett villanszerelőhöz vagy szervizelőhöz.
2. Sem a gyártó, sem a kereskedő nem vállal felelősséget a sütőben keletkezett károkért vagy személyi sérülésekért, amelyek az elektromos csatlakoztatási eljárások be nem tartásából erednek.

A kábelhálózat vezetékeinek színe a következő kódoknak megfelelően van kialakítva:

**Zöld és sárga = FÖLD**

**Kék = NEUTRÁLIS**

**Barna = ÉLŐ**

# RÁDIÓZAVAR

A mikrohullámú sütő működése interferenciát okozhat a rádióban, TV-ben vagy hasonló berendezésekben. Ha interferencia lép fel, az a következő intézkedésekkel csökkenthető vagy kiküszöbölhető:

1. Tisztítsa meg a sütő ajtaját és tömítőfelületét.
2. Állítsa át a rádió vagy televízió vételi antennáját.
3. Helyezze át a mikrohullámú sütőt a vevőegységhez képest.
4. Távolítsa el a mikrohullámú sütőt a vevőtől.
5. Csatlakoztassa a mikrohullámú sütőt egy másik konnektorhoz, hogy a mikrohullámú sütő és a vevőegység különböző áramkörökben legyen.

# A SZERVIZ IGÉNYBEVÉTELE ELŐTT

Mielőtt szervizelésre kérne, kérjük, ellenőrizze az alábbi pontokat:

- Ellenőrizze, hogy a sütő biztonságosan be van-e dugva. Ha nem, húzza ki a dugót a konnektorból, várjon 10 másodpercet, majd csatlakoztassa újra biztonságosan.
- Ellenőrizze, hogy nincs-e kiégett biztosíték vagy kioldott főkapcsoló. Ha úgy tűnik, hogy ezek megfelelően működnek, tesztelje a konnektort egy másik

készülékkel.

- Ellenőrizze, hogy a vezérlőpanel helyesen van-e programozva és az időzítő be van-e állítva.
- Ellenőrizze, hogy az ajtó biztonságosan zárva van-e, az ajtózárrendszer bekapcsolásával. Ha az ajtó nincs megfelelően zárva, a mikrohullámú energia nem áramlik be.

HA A FENTIEK EGYIKE SEM ORVOSOLJA A HELYZETET, AKKOR FORDULJON SZAKKÉPZETT SZAKEMBERHEZ. NE PRÓBÁLJA MEG SAJÁT MAGA BEÁLLÍTANI VAGY MEGJAVÍTANI A SÜTŐT.

## FŐZÉSI TECHNIKÁK

1. Gondosan rendezd el az ételeket. A legvastagabb területeket az edény külső része felé helyezze.
2. Figyelje a főzési időt. Főzzük a megadott legrövidebb ideig, és szükség szerint adjunk hozzá még. A súlyosan túlfőtt ételek füstölhetnek vagy meggyulladhatnak.
3. Fedje le az ételeket főzés közben. A fedelek megakadályozzák a szétfroccsenést, és segítik az ételek egyenletes sülését.
4. A mikrohullámú sütés során egyszer fordítsa meg az ételeket, hogy felgyorsítsa az olyan ételek, mint a csirke és a hamburger sütését. Az olyan nagyméretű tárgyakat, mint a sült, legalább egyszer meg kell fordítani.
5. Az ételeket, például a húsgombócokat a sütés felénél rendezzük át mind felülről lefelé, mind pedig az étel közepétől kifelé.

## FŐZŐESZKÖZÖK ÚTMUTATÓ

1. A mikrohullám nem hatol át a fémen. Csak olyan edényeket használjon, amelyek alkalmasak mikrohullámú sütőben való használatra. Az ételek és italok fémtartályai nem használhatók mikrohullámú sütés közben. Ez a követelmény nem alkalmazandó, ha a gyártó a mikrohullámú sütésre alkalmas fémtartályok méretét és alakját határozza meg.
2. A mikrohullámú sütő nem képes áthatolni a fémen, ezért fém edényeket vagy fém díszítésű edényeket nem szabad használni.
3. Ne használjon újrahasznosított papírtermékeket mikrohullámú sütéskor, mivel azok kis fémdarabokat tartalmazhatnak, amelyek szikrákat és/vagy tüzet okozhatnak.
4. Inkább kerek/ovális edények, mint szögletes/nyúlványos edények ajánlottak, mivel a sarkokban lévő ételek hajlamosak túlsülni.
5. Keskeny alumíniumfóliacsíkokat lehet használni, hogy megakadályozza a szabadon lévő területek túlsütését. De vigyázzon, ne használjon túl sokat,

és tartson 1 hüvelyk (2,54 cm) távolságot a fólia és az üreg között.  
Az alábbi lista egy általános útmutató a megfelelő eszközök kiválasztásához.

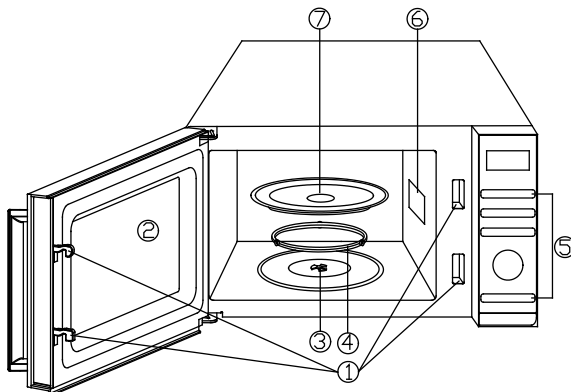
Főzőkészlet	főzés mikrohullámmal
Hőálló üveg	Igen
Nem hőálló üveg	Sz.
Hőálló kerámia	Igen
Mikrohullámú sütőben használható műanyag	Igen
Konyhai papír	Igen
Fém tálca	Sz.
Fém állvány	Sz.
Alumínium fólia és fóliatartályok	Sz.

## SPECIFIKÁCIÓK

Energiafogyasztás	230V/50Hz, 1400W (mikrohullámú)
Kimenet	900 W
Működési frekvencia	2450 MHz
Külső méretek	281mm(H)×483mm(W)×389mm(D)
Sütőtér méretei	220mm(H)×340mm(W)×320mm(D)
Sütő kapacitása	Kompakt 23 literes
Nettó tömeg	Kb. 13,1 kg

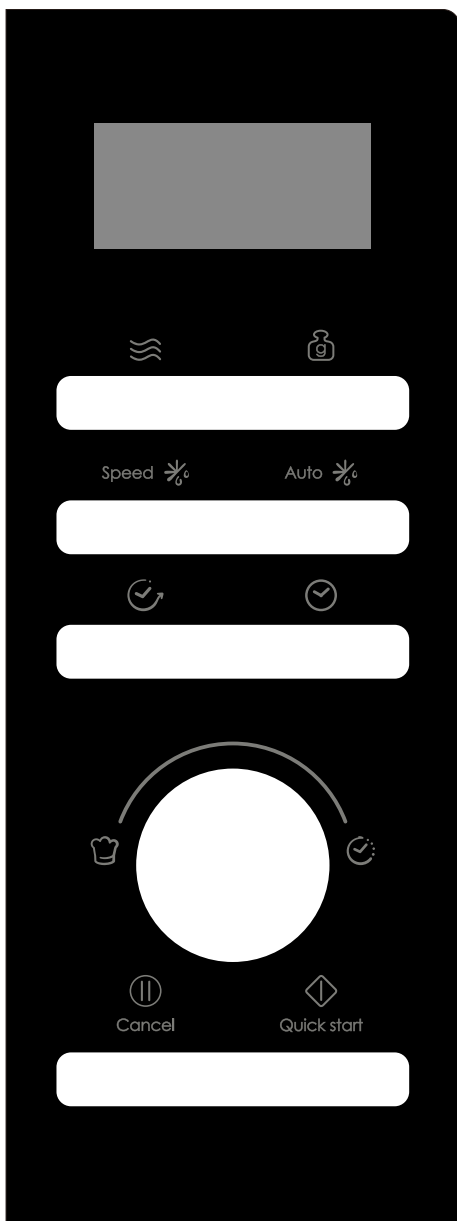
## TERMÉKDIAGRAM

1. Ajtó biztonsági zárrendszer
2. SÜTŐABLAK
3. Szár
4. Görgős gyűrű
5. Vezérlőpanel
6. Hullámvezető  
(Kérjük, ne távolítsa el a hullámvezetőt fedő csillámlemezt)
7. Üvegtálca





# VEZÉRLŐPANEL



- **KIJELZŐ**

Megjelenik a főzési idő, a teljesítmény, a kijelzők és az óraidő.

- **POWER** 

Nyomja meg a mikrohullámú sütési teljesítményszint beállításához.

- **SÚLYBEÁLLÍTÁS** 

Nyomja meg az étel súlyának vagy adagjainak beállításához.

- **GYORSÍTOTT JÉGMENTESÍTÉS**

Speed 

Nyomja meg a gombot az ételek idő alapján történő kiolvasztásához.

- **AUTOMATIKUS** Auto 

**JÉGVÉDELEMZÍTÉS**



Nyomja meg a gombot az ételek súly szerinti kiolvasztásához.

- **PRESET** 

Használja a sütő későbbi indításra való beállításához.

- **ÓRA** 

Nyomja meg az óraidő beállításához.

- **MENU/IDŐ (tárcsa)**  

Forgassa el a tárcsát az automatikus főzési menük kiválasztásához.

Forgassa el a tárcsát az idő beállításához.

- **PAUSE/CANCEL** Cancel 

Nyomja meg egyszer a főzés ideiglenes leállításához, vagy kétszer a főzés teljes leállításához.

- **INDÍTÁS/GYORSINDÍTÁS** Quick start 

Nyomja meg a főző- és leolvasztási programok indításához.

Egyszerűen csak nyomja meg néhányszor a főzési idő beállításához, és azonnal főzze teljes teljesítményszinten.

# HASZNÁLATI UTASÍTÁSOK

- Amikor a sütő először csatlakoztatva van, egy hangjelzés hallatszik, és a kijelzőn "🕒" és "1:01" jelenik meg.
- A beállítás során kb. 25 másodpercig tartó törés után a sütő visszatér készenléti üzemmódba.
- Ha főzés közben egyszer megnyomja a PAUSE/CANCEL gombot, a program szünetel, majd a START/QUICK START gomb megnyomásával folytatódik. Ha azonban kétszer megnyomja a PAUSE/CANCEL gombot, a program törlődik.
- A főzés befejezése után a kijelzőn a Vége felirat jelenik meg, és kétpercenként hangjelzés hallatszik, amíg a felhasználó meg nem nyomja a PAUSE/CANCEL gombot, vagy ki nem nyitja az ajtót.
- Működés közben egy érvényes gomb megnyomásakor a hangjelző egyszer cseng, de ha egy érvénytelen gombot nyom meg, a hangjelző kétszer cseng.

## AZ ÓRA BEÁLLÍTÁSA

---

Ez egy 12 vagy 24 órás óra. A CLOCK gomb készenléti üzemmódban történő megnyomásával választhatja ki, hogy az órát 12- vagy 24 órában állítsa be.

1. Készenléti üzemmódban nyomja meg többször a CLOCK gombot a 12- vagy 24 órás óra kiválasztásához.
2. Forgassa el a MENU/TIME tárcsát az óraszámjegy beállításához.
3. Nyomja meg egyszer a CLOCK gombot.
4. Forgassa el a MENU/TIME tárcsát a percjegy beállításához.
5. Nyomja meg a CLOCK gombot a megerősítéshez.

**MEGJEGYZÉS:** Főzés közben a CLOCK gomb megnyomásával ellenőrizheti az aktuális óraidőt.

## EXPRESSZ FŐZÉS

---

Ezzel a funkcióval a sütőt úgy programozhatja, hogy az ételeket kényelmesen 100%-os teljesítményen mikrózza. Készenléti üzemmódban nyomja meg többször a START/QUICK START gombot a főzési idő beállításához (minden egyes megnyomással 30 másodperccel növelhető, és legfeljebb 10 percig), a sütő azonnal elkezdi a főzést teljes teljesítményen. A főzés során a START/QUICK START gomb megnyomásával hozzáadhatja a főzési időt.

## FŐZÉS MIKROHULLÁMMAL

---

1. Készenléti üzemmódban nyomja meg többször a POWER gombot a teljesítményszint kiválasztásához.
2. Forgassa el a MENU/TIME tárcsát a főzési idő beállításához. A leghosszabb idő 95 perc.
3. Nyomja meg a START/QUICK START gombot a megerősítéshez.

**Válassza ki a teljesítményszintet a POWER gomb megnyomásával.**

Nyomja meg a POWER gombot	Teljesítmény (kijelző)	Nyomja meg a POWER gombot	Teljesítmény (kijelző)
egyszer	100% (100)	7 alkalommal	40% (40)
2 és afelett	90% (90)	8 alkalommal	30% (30)
3 alkalommal	80% (80)	9 alkalommal	20% (20)
4 alkalommal	70% (70)	10 alkalommal	10% (10)
5 alkalommal	60% (60)	11 alkalommal	00% (00)
6 alkalommal	50% (50)		

**MEGJEGYZÉS:** Főzés közben a POWER gomb megnyomásával ellenőrizheti az aktuális főzési teljesítményszintet.

## AUTOMATIKUS LEOLVASZTÁS

---

A leolvasztási idő és a teljesítményszint automatikusan beállítódik, amint az étel súlya be van programozva. A fagyasztott élelmiszerek tömege 100 g és 1800 g között mozog.

1. Készenléti üzemmódban nyomja meg egyszer az AUTO DEFROST gombot.
2. Nyomja meg többször a WEIGHT ADJUST gombot az étel súlyának kiválasztásához.
3. Nyomja meg a START/QUICK START gombot a megerősítéshez.

**MEGJEGYZÉS:** A leolvasztás során a rendszer szünetet tart és hangjelzéssel emlékezteti a felhasználót, hogy fordítsa meg az ételt, majd a leolvasztás folytatásához nyomja meg a START/QUICK START gombot.

## GYORS LEOLVASZTÁS

---

1. Készenléti üzemmódban nyomja meg egyszer a SPEED DEFROST gombot.
2. Forgassa el a MENU/TIME tárcsát a leolvasztási idő beállításához. A leghosszabb idő 95 perc.
3. Nyomja meg a START/QUICK START gombot a megerősítéshez.

**MEGJEGYZÉS:** A leolvasztás során a rendszer szünetet tart és hangjelzéssel emlékezteti a felhasználót, hogy fordítsa meg az ételt, majd a leolvasztás folytatásához nyomja meg a START/QUICK START gombot.

## TÖBBLÉPCSŐS FŐZÉS

---

A sütő akár 2 automatikus főzési sorozatra is programozható. Tegyük fel, hogy a következő főzési programot szeretné beállítani.

főzés mikrohullámmal



Mikrohullámú sütés (alacsonyabb teljesítményszinttel)

1. Adja meg az első mikrohullámú sütőprogramot. Ne nyomja meg a START/QUICK START gombot.
2. Adja meg a második mikrohullámú sütőprogramot.
3. Nyomja meg a START/QUICK START gombot a megerősítéshez.

**MEGJEGYZÉS:** Az expressz főzés, az automatikus kiolvasztás, a gyors kiolvasztás és az automatikus főzés menüpontok nem állíthatók be a többlépcsős főzés során.

## AUTOMATIKUS TISZTÍTÁS (Az Automatikus főzés menübe tartozik)

---

Tegyen egy tál 300 g vizet a sütőbe, és zárja be az ajtót.

1. Készenléti üzemmódban fordítsa el a MENU/TIME tárcsát egyszer az óramutató járásával ellentétes irányba, majd forgassa a tárcsát, amíg a kijelzőn a "A-14" és az "AUTO" felirat nem jelenik meg.
2. Nyomja meg egyszer a WEIGHT ADJUST gombot.
3. Az indításhoz nyomja meg a START/QUICK START gombot.

**MEGJEGYZÉS:** A tisztítási idő 10 perc.

## ELŐRE BEÁLLÍTOTT TÉTEL

---

Az előre beállított funkció lehetővé teszi, hogy a sütő egy későbbi időpontban induljon el.

1. Adjon meg egy főzési programot (kivéve az expressz főzést, a gyors kiolvasztást és az automatikus kiolvasztást).
2. Nyomja meg egyszer a PRESET gombot.
3. Forgassa el a MENU/TIME tárcsát az óraszámjegy beállításához.
4. Nyomja meg egyszer a PRESET gombot.
5. Forgassa el a MENU/TIME tárcsát a percjegy beállításához.
6. Nyomja meg a START/QUICK START gombot a megerősítéshez.

**MEGJEGYZÉS:** Amikor a sütő előre beállított állapotban marad, a PRESET gomb egyszeri megnyomásával ellenőrizheti az előre beállított időt, ha a PAUSE/CANCEL gomb megnyomásával, amikor a kijelzőn az idő megjelenik, a funkció törölhető.

## GYEREKZÁR

---

A gyermekzár megakadályozza a gyermekek általi felügyelet nélküli működtetést.

A gyermekzárba való belépéshez: Készenléti üzemmódban, ha egy percen belül

nem történik semmilyen művelet, a sütő automatikusan gyermekzár üzemmódba lép, és a zárjelző lámpa kigyullad. Zárolási állapotban minden gomb ki van kapcsolva.

Törlés: Gyermekzár üzemmódban a program törléséhez nyissa ki vagy zárja be a sütő ajtaját, és a zárjelző lámpa kialszik.

## AUTOMATIKUS FŐZÉS

A következő étel vagy főzési mód esetében nem szükséges a főzési időt és teljesítményt beprogramozni. Elegendő megadni a főzni kívánt étel típusát, valamint az étel súlyát vagy adagját.

1. Készületi üzemmódban az óramutató járásával ellentétes irányban forgassa el a MENU/TIME tárcsát az ételkód kiválasztásához.
2. Nyomja meg többször a WEIGHT ADJUST gombot az étel súlyának vagy adagjainak beállításához.
3. Nyomja meg a START/QUICK START gombot a megerősítéshez.

### Automatikus főzési menük:

Kód	Élelmiszer	Tömeg/ Mennyiség	Megjegyzés
A-01	Tej/Kávé/Tea (200 ml/csésze, 1-3 csésze)	1 csésze	A kijelzőn az étel súlya helyett az adagok száma jelenik meg
		2 csésze	
		3 csésze	
A-02	Pizza	150 g	
		300 g	
		450 g	
A-03	Burgonya	100 g	
		200 g	
		300 g	
A-04	Automatikus újramelegítés	200 g	
		300 g	
		400 g	
		500 g	
		600 g	
		700 g	
A-05	Hal	200 g	
		300 g	
		400 g	
		500 g	
		600 g	
A-06	Pattogatott kukorica	100 g	
A-07	Leves	1	200 g por porção
		2	
		3	

Kód	Élelmiszer	Tömeg/ Mennyiség	Megjegyzés
A-08	Kása	50 g	
		100 g	
		150 g	
A-09	Friss zöldség	200 g	
		300 g	
		400 g	
		500 g	
		600 g	
A-10	Fagyasztott zöldség	200 g	
		300 g	
		400 g	
		500 g	
		600 g	
A-11	Rizs	150 g	
		300 g	
		450 g	
		600 g	
A-12	Spagetti/Tészta	100 g	
		200 g	
		300 g	
A-13	Fagyasztott vacsora/étkezés	250 g	
		500 g	
A-14	Autoclean / (a teljesítmény lenne a vízcsepp tele az üreg belsejében)		

Az automatikus sütés eredménye olyan tényezőktől függ, mint az ételek alakja és mérete, az Ön személyes preferenciái bizonyos ételek átsütöttségét illetően, és még az is, hogy Ön mennyire jól helyezi el az ételeket a sütőben. Ha az eredményt ay sebességgel nem találja kielégítőnek, akkor a főzési időt ennek megfelelően állítsa be egy kicsit.

# TISZTÍTÁS ÉS ÁPOLÁS

1. Tisztításkor kapcsolja ki a sütőt, és húzza ki a tápkábelt a falból.
2. Tartsa tisztán a sütő belsejét. Ha ételfröccsenések vagy kiömlött folyadékok tapadnak a sütő falára, törölje le nedves ruhával. Enyhe tisztítószerek használhatók, ha a sütő nagyon piszkos. Kerülje a spray vagy más durva tisztítószerek használatát. Foltot hagyhatnak, csíkozhatják vagy tompíthatják az ajtó felületét.
3. A sütő külsejét nedves ruhával kell tisztítani. A sütő belsejében lévő működtető alkatrészek károsodásának elkerülése érdekében nem szabad megengedni, hogy víz szivárogjon be a szellőzőnyílásokba.
4. Az ajtó és az ablak mindkét oldalát, az ajtótomítéseket és a szomszédos részeket gyakran törölje át nedves ruhával, hogy eltávolítsa a kiömlött folyadékokat vagy fröccsenéseket. Ne használjon súrolószeres tisztítószert.
5. Gőztisztítót nem szabad használni.
6. Ne hagyja, hogy a kezelőpanel nedves legyen. Puha, nedves ruhával tisztítsa meg. A kezelőpanel tisztításakor hagyja nyitva a sütő ajtaját, hogy megakadályozza a sütő véletlen bekapcsolását.
7. Ha a sütőajtó belsejében vagy külső oldalán gőz gyűlik össze, törölje le puha ruhával. Ez akkor fordulhat elő, ha a mikrohullámú sütőt magas páratartalom mellett üzemeltetik. És ez normális.
8. Az üvegtálcát időnként ki kell venni tisztítás céljából. Mossa ki a tálcát langyos, lápos vízben vagy mosogatógépben.
9. A görgőgyűrűt és a sütő padlóját rendszeresen tisztítani kell a túlzott zaj elkerülése érdekében. Egyszerűen törölje át a sütő alsó felületét enyhe tisztítószerral. A görgőgyűrű mosható enyhe, szappanos vízben vagy mosogatógépben. A görgőgyűrű eltávolításakor ügyeljen arra, hogy a megfelelő pozícióban helyezze vissza.
10. Távolítsa el a szagokat a sütőből úgy, hogy egy mikrohullámú sütőedényben egy csésze vizet egy citrom levéllel és héjával kever össze. Mikróban 5 percig sűtjük. Alaposan törölje le és szárítsa meg puha ruhával.
11. Ha az izzó kiég, kérjük, forduljon az ügyfélszolgálathoz, hogy kicseréljék.
12. A sütőt rendszeresen tisztítani kell, és el kell távolítani az esetleges ételmaradékokat. Ha a sütőt nem tartja tiszta állapotban, az a felület romlásához vezethet, ami hátrányosan befolyásolhatja a készülék élettartamát, és esetleg veszélyes helyzetet eredményezhet.
13. Kérjük, ne dobja ki ezt a készüléket a háztartási szemetesbe; azt az önkormányzat által biztosított speciális hulladékgyűjtő központban kell elhelyezni.





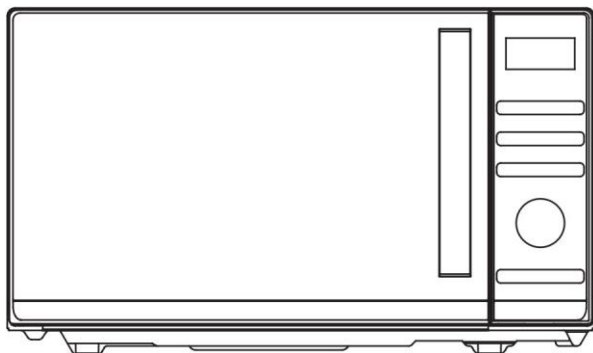
A készüléket az elektromos és elektronikus berendezések hulladékairól szóló, 2013. évi 2012/19/EU európai irányelvnek (WEEE) megfelelően címkézték. Az elektromos és elektronikus berendezések szennyező hatású (a környezetre esetlegesen káros) anyagokat és (újrahasznosítható) nyersanyagokat is tartalmazhatnak. A szennyező anyagok eltávolítása és az anyagok újrahasznosítása érdekében fontos, hogy az elektromos és elektronikus

berendezéseket megfelelően kezeljék. A magánszemélyeknek ebben fontos szerepe lehet, amikor megbizonyosodnak róla, hogy az elektronikai hulladékok nem válnak környezetvédelmi problémává; létfontosságú néhány alapvető szabály betartása:

- az elektromos és elektronikus berendezések anyagai nem kezelhetők háztartási hulladékként;
- az elektromos és elektronikus berendezéseket a helyi önkormányzat vagy egy nyilvántartott vállalat által kezelt gyűjtőponton szükséges ártalmatlanítani.

A nagyméretű elektromos és elektronikus berendezések esetén sok országban háztartási hulladékgyűjtő pontok állnak rendelkezésre. Új berendezés vásárlásakor az ilyen hulladékot ingyen vissza lehet vinni a kereskedőhöz, mennyiben a régi berendezés ugyanolyan típusú, mint az újonnan vásárolt, és azzal megegyező funkciójú.

# Istruzioni per il forno a microonde



Modello: CMWA23TNDB

Leggere attentamente queste istruzioni prima di installare e mettere in funzione il forno.

# INDICE

<b>PRECAUZIONI PER EVITARE UNA POSSIBILE ESPOSIZIONE ALL'ECCESSIVA ENERGIA DELLE MICROONDE .....</b>	<b>2</b>
<b>IMPORTANTI ISTRUZIONI DI SICUREZZA .....</b>	<b>2</b>
<b>GUIDA ALL'INSTALLAZIONE .....</b>	<b>5</b>
<b>ISTRUZIONI DI MESSA A TERRA.....</b>	<b>6</b>
<b>INTERFERENZE RADIO .....</b>	<b>7</b>
<b>PRIMA DI CONTATTARE IL CENTRO ASSISTENZA.....</b>	<b>7</b>
<b>TECNICHE DI COTTURA .....</b>	<b>7</b>
<b>GUIDA AGLI UTENSILI DA CUCINA .....</b>	<b>8</b>
<b>SPECIFICHE.....</b>	<b>9</b>
<b>PANNELLO DI CONTROLLO.....</b>	<b>10</b>
<b>ISTRUZIONI PER L'USO.....</b>	<b>11</b>
<b>IMPOSTAZIONE DELL'ORA.....</b>	<b>11</b>
<b>CUCINA ESPRESSA .....</b>	<b>11</b>
<b>COTTURA A MICROONDE .....</b>	<b>11</b>
<b>SCONGELAMENTO AUTOMATICO .....</b>	<b>12</b>
<b>SCONGELAMENTO RAPIDO .....</b>	<b>12</b>
<b>COTTURA A PIÙ FASI .....</b>	<b>13</b>
<b>PRESET.....</b>	<b>13</b>
<b>SICUREZZA BAMBINI .....</b>	<b>13</b>
<b>COTTURA AUTOMATICA.....</b>	<b>14</b>
<b>PULIZIA E MANUTENZIONE .....</b>	<b>16</b>

# PRECAUZIONI PER EVITARE UNA POSSIBILE ESPOSIZIONE ALL'ECCESSIVA ENERGIA DELLE MICROONDE

1. Non tentare di far funzionare questo forno con lo sportello aperto, poiché il funzionamento a sportello aperto può provocare un'esposizione dannosa all'energia delle microonde. È importante non manomettere gli interblocchi di sicurezza.
2. Non collocare alcun oggetto tra la parte anteriore del forno e lo sportello, né lasciare che residui di sporco o detersivi si accumulino sulle superfici di tenuta.
3. Non azionare il forno se danneggiato. È particolarmente importante che lo sportello del forno si chiuda correttamente e che non vi siano danni a
  - a) Sportello (anche piegato),
  - b) Cerniere e chiusure (rotte o allentate),
  - c) Guarnizioni per sportelli e superfici di tenuta.
4. Il forno non deve essere regolato o riparato da nessuno, ad eccezione del personale di assistenza qualificato.

## IMPORTANTI ISTRUZIONI DI SICUREZZA

Quando si utilizzano elettrodomestici è necessario seguire le precauzioni di sicurezza di base, tra cui le seguenti:

**AVVERTENZA!**– Per ridurre il rischio di ustioni, scosse elettriche, incendi, lesioni alle persone o l'esposizione a un'eccessiva energia delle microonde:

1. Utilizzare l'elettrodomestico solo per l'uso previsto come descritto nel presente manuale. Non utilizzare prodotti chimici corrosivi o vapori nell'elettrodomestico. Questo tipo di forno è specificamente progettato per riscaldare, cuocere o essiccare gli alimenti. Non è progettato per uso industriale o di laboratorio.
2. Non azionare il forno quando è vuoto.
3. Non mettere in funzione l'elettrodomestico se ha un cavo o una spina danneggiati, se non funziona correttamente o se è stato danneggiato o è caduto. Se il cavo di alimentazione dell'elettrodomestico dovesse essere danneggiato, farlo sostituire dal produttore, dal suo servizio tecnico o da un tecnico qualificato, per evitare rischi.

4. **AVVERTENZA!--** Consentire ai bambini di utilizzare il forno senza sorveglianza solo quando sono state date istruzioni adeguate affinché il bambino sia in grado di utilizzare il forno in modo sicuro e comprenda i rischi di un uso improprio.
5. Per ridurre il rischio di incendio nel vano di cottura:
  - Quando si riscaldano alimenti in contenitori di plastica o di carta, tenere sotto controllo il forno per la possibilità di incendi.
  - Rimuovere i fili ritorti da sacchetti di carta o di plastica prima di mettere il sacchetto nel forno.
  - In presenza di fumo, spegnere l'elettrodomestico o staccarlo dall'alimentazione e mantenere lo sportello chiuso onde soffocare le eventuali fiamme.
  - Non utilizzare il vano del forno per la conservazione. Non lasciare prodotti di carta, utensili da cucina o alimenti nel vano del forno quando non è in uso.
  - Il forno a microonde è destinato al riscaldamento di alimenti e bevande. L'asciugatura di cuscinetti riscaldanti, pantofole, spugne, panni umidi e simili possono comportare il rischio di lesioni, accensione o incendio.
6. **AVVERTENZA!--** I liquidi e altri alimenti non devono essere scaldati in contenitori sigillati poiché potrebbero esplodere.
7. Il riscaldamento a microonde delle bevande può causare un'ebollizione ritardata con proiezioni di liquidi, pertanto è necessario prestare attenzione durante la manipolazione del contenitore.
8. Non friggere alimenti nel forno. L'olio caldo può danneggiare le parti del forno e gli utensili e persino causare ustioni alla pelle.
9. Le uova nel guscio e le uova sode intere non devono essere riscaldate nei forni a microonde, poiché possono esplodere anche dopo la fine del riscaldamento a microonde.
10. Forare gli alimenti con bucce pesanti come patate, zucche intere, mele e castagne prima della cottura.
11. Il contenuto dei biberon e dei vasetti di omogeneizzati deve essere mescolato o agitato e la temperatura deve essere controllata prima di servire per evitare ustioni.
12. Gli utensili da cucina possono surriscaldarsi a causa del calore trasferito dal cibo riscaldato. Per maneggiare l'utensile possono essere necessarie le presine.
13. Gli utensili devono essere controllati per verificare che siano adatti all'uso nel forno a microonde.
14. **AVVERTENZA!--** È pericoloso per tutti, ad eccezione del personale addetto, eseguire qualsiasi operazione di manutenzione o di riparazione che implichi la rimozione di qualunque coperchio di protezione contro l'esposizione all'energia microonde.
15. Questo forno a microonde è conforme alla norma EN 55011/CISPR 11;

nell'ambito di questa norma appartiene alla classificazione di Classe B Gruppo 2. Apparecchiature del gruppo 2: il gruppo 2 contiene tutte le apparecchiature ISM RF in cui l'energia a radiofrequenza nella gamma di frequenza da 9 kHz a 400 GHz è generata e utilizzata intenzionalmente o utilizzata solo localmente, sotto forma di radiazione elettromagnetica, accoppiamento induttivo e/o capacitivo, per il trattamento di materiale, per scopi di ispezione/analisi, o per il trasferimento di energia elettromagnetica. Per apparecchiature di classe B si intendono apparecchiature adatte all'uso in posizioni all'interno di ambienti residenziali e in sedi direttamente collegate ad una rete di alimentazione a bassa tensione che alimenta gli edifici adibiti ad uso domestico.

16. Questo elettrodomestico non è da intendersi adatto all'uso da parte di persone (incluso bambini) con ridotte capacità fisiche, sensoriali o mentali, o prive di esperienza e conoscenza, a meno che siano state supervisionate o istruite riguardo all'uso dell'elettrodomestico da una persona responsabile della loro sicurezza.
17. I bambini devono essere supervisionati per assicurarsi che non giochino con l'elettrodomestico.
18. Il forno a microonde viene utilizzato solo in versione indipendente.
19. **AVVERTENZA!**-- Non installare il forno sopra un piano di cottura o altro elettrodomestico che produce calore. Se installato in questo modo potrebbe essere danneggiato e la garanzia diventerebbe nulla.
20. Il forno a microonde non deve essere collocato in un mobile.
21. **AVVERTENZA!** l'elettrodomestico e le sue parti accessibili diventano calde durante l'uso.
22. **AVVERTENZA!**-- Durante l'utilizzo le parti accessibili possono diventare calde. I bambini piccoli devono essere mantenuti a distanza.
23. Durante l'uso l'elettrodomestico diventa caldo. Fare attenzione a non toccare le resistenze di riscaldamento all'interno del forno, per i ripiani di cottura e nei forni.
24. La temperatura delle superfici accessibili può essere elevata quando l'elettrodomestico è in funzione.
25. L'elettrodomestico deve essere posizionato contro una parete.
26. L'elettrodomestico non deve essere utilizzato da bambini o persone con ridotte capacità fisiche, sensoriali o mentali, o con scarsa esperienza e conoscenza, a meno che non siano stati supervisionati o istruiti.
27. **AVVERTENZA!**-- Se lo sportello o la guarnizione dello sportello sono danneggiati, il forno non dev'essere utilizzato fino a quando non è stato riparato da personale competente
28. Gli elettrodomestici non sono concepiti per funzionare con temporizzatori esterni o con sistemi di comando a distanza separati.
29. Il forno a microonde è solo per uso domestico e non per uso commerciale.
30. Non rimuovere mai il distanziatore sul retro o sui lati, in quanto garantisce

una distanza minima dalla parete per la circolazione dell'aria.

31. Fissare il piatto rotante prima di spostare l'elettrodomestico per evitare danni.
32. **ATTENZIONE!**-- È pericoloso fare riparare o sottoporre a manutenzione l'elettrodomestico da personale non specializzato, poiché in queste circostanze è necessario rimuovere la copertura che garantisce la protezione contro le radiazioni a microonde. Questo vale anche per la sostituzione del cavo di alimentazione o dell'illuminazione. In questi casi, inviare l'elettrodomestico al nostro centro di assistenza.
33. Il forno a microonde è destinato esclusivamente allo scongelamento, alla cottura e alla cottura a vapore degli alimenti.
34. Utilizzare i guanti se si rimuovono gli alimenti riscaldati.
35. Attenzione! Il vapore fuoriesce quando si aprono i coperchi o la pellicola avvolgente.
36. L'elettrodomestico può essere utilizzato da bambini di età superiore a 8 anni e da persone con ridotte capacità fisiche, sensoriali o mentali, oppure prive di esperienza e conoscenza, se supervisionate o istruite riguardo all'uso dell'elettrodomestico in sicurezza, e se comprendono i rischi che derivano dall'uso dello stesso. I bambini non devono giocare con l'elettrodomestico. La pulizia o la manutenzione da parte dell'utente non deve essere eseguita da bambini a meno che non abbiano più di 8 anni e siano sorvegliati.
37. In presenza di fumo, spegnere l'elettrodomestico o staccarlo dall'alimentazione e mantenere lo sportello chiuso onde soffocare le eventuali fiamme.

## GUIDA ALL'INSTALLAZIONE

1. Assicurarsi che tutti i materiali di imballaggio siano stati rimossi dall'interno dello sportello.
2. **AVVERTENZA!**-- Controllare che il forno non presenti danni, come sportello non allineato o piegato, guarnizioni e superfici di tenuta danneggiate, cerniere e chiusure dello sportello rotte o allentate e ammaccature all'interno del vano di cottura o sullo sportello. In caso di danni, non mettere in funzione il forno e contattare il personale di assistenza qualificato.
3. Questo forno a microonde deve essere posizionato su una superficie piana e stabile per sostenere il suo peso e gli alimenti più pesanti che possono essere cotti all'interno del forno.
4. Non collocare il forno in luoghi in cui si generano calore, umidità, anche elevata, o in prossimità di materiali combustibili.
5. Per un corretto funzionamento, il forno deve avere un flusso d'aria sufficiente. Lasciare 20 cm di spazio sopra il forno, 10 cm sul retro e 5 cm su entrambi i lati. Non coprire o bloccare le aperture dell'elettrodomestico. Non rimuovere i

piedini.

6. Non mettere in funzione il forno senza il vassoio in vetro, il supporto a rulli e il perno nella posizione corretta.
7. Accertarsi che il cavo di alimentazione non sia danneggiato e non si trovi sotto il forno o su superfici calde o taglienti.
8. La presa deve essere facilmente accessibile in modo da poter essere facilmente scollegata in caso di emergenza.
9. Non collocare l'elettrodomestico in ambienti esterni.

## **ISTRUZIONI DI MESSA A TERRA**

Questo elettrodomestico deve essere collegato a terra. Questo forno è dotato di un cavo con filo di messa a terra e spina di messa a terra. Deve essere inserito in una presa a muro correttamente installata e messa a terra. In caso di corto circuito elettrico, la messa a terra riduce il rischio di scosse elettriche fornendo un filo di fuga per la corrente elettrica. Si raccomanda di prevedere un circuito separato che serva solo il forno. L'uso di una tensione elevata è pericoloso e può provocare un incendio o altri incidenti che possono causare danni al forno. **AVVERTENZA!-** L'uso non corretto della spina di messa a terra può comportare il rischio di scosse elettriche. Nota:

1. In caso di domande sulla messa a terra o sulle istruzioni elettriche, consultare un elettricista qualificato o un tecnico dell'assistenza.
2. Né il produttore né il rivenditore si assumono alcuna responsabilità per danni al forno o lesioni personali derivanti dalla mancata osservanza delle procedure di collegamento elettrico.

I fili di questo cavo principale sono colorati secondo il seguente codice:

**Verde e giallo = TERRA**

**Blu = NEUTRO**

**Marrone - ALIMENTAZIONE**



# INTERFERENZE RADIO

Il funzionamento del forno a microonde può causare interferenze con la radio, la TV o apparecchiature simili. In presenza di interferenze, queste possono essere ridotte o eliminate adottando le seguenti precauzioni:

1. Pulire lo sportello e la superficie di tenuta del forno.
2. Orientare nuovamente l'antenna di ricezione della radio o della televisione.
3. Riposizionare il forno a microonde rispetto al ricevitore.
4. Allontanare il forno a microonde dal ricevitore.
5. Collegare il forno a microonde ad una presa diversa in modo che il forno a microonde e il ricevitore si trovino su circuiti di derivazione diversi.

# PRIMA DI CONTATTARE IL CENTRO ASSISTENZA

Prima di chiamare l'assistenza, controllare ciascuna delle voci sotto riportate:

- Controllare che il forno sia collegato perfettamente. In caso contrario, rimuovere la spina dalla presa, attendere 10 secondi e reinserirla a fondo.
- Controllare la presenza di un fusibile bruciato o di un salvamotore scattato. Se tutto sembra funzionare correttamente, provare la presa di corrente con un altro elettrodomestico.
- Verificare che il pannello di controllo sia programmato correttamente e che il timer sia impostato.
- Verificare che lo sportello sia chiuso saldamente innestando il sistema di blocco dello sportello. Se lo sportello non è chiuso correttamente, l'energia del microonde non fluisce all'interno.

SE NESSUNO DI QUESTI INTERVENTI RISOLVE LA SITUAZIONE, CONTATTARE UN TECNICO QUALIFICATO. NON CERCARE DI REGOLARE O RIPARARE IL FORNO DA SOLI.

# TECNICHE DI COTTURA

1. Disporre gli alimenti con cura. Posizionare le parti più spesse verso l'esterno del piatto.
2. Controllare l'orario di cottura. Cuocere per il minor tempo indicato e aggiungere ulteriore tempo se necessario. Gli alimenti molto cotti possono produrre fumo o infiammarsi.
3. Coprire gli alimenti durante la cottura. Le coperture prevengono gli schizzi e aiutano la cottura uniforme degli alimenti.

- Girare gli alimenti una volta durante la cottura a microonde per velocizzare la cottura di alimenti come pollo e hamburger. Alimenti di grandi dimensioni come gli arrosti devono essere capovolti almeno una volta.
- Girare gli alimenti come le polpette a metà cottura sia dall'alto verso il basso che dal centro del piatto verso l'esterno.

## GUIDA AGLI UTENSILI DA CUCINA

- Le microonde non possono penetrare il metallo. Utilizzare solo utensili adatti per l'uso nei forni a microonde. Non sono ammessi contenitori metallici per alimenti e bevande durante la cottura a microonde. Questo requisito non è applicabile se il produttore specifica le dimensioni e la forma dei contenitori metallici adatti alla cottura a microonde.
- Le microonde non possono penetrare nel metallo, quindi non si devono usare utensili o stoviglie in metallo con finiture metalliche.
- Non utilizzare prodotti di carta riciclata per la cottura a microonde, in quanto possono contenere piccoli frammenti metallici che possono causare scintille e/o incendi.
- Si consigliano piatti rotondi/ovalii piuttosto che quadrati/oblunghi, dato che il cibo negli angoli tende a cuocere eccessivamente.
- È possibile utilizzare strisce strette di foglio di alluminio per evitare il surriscaldamento delle aree esposte. Prestare attenzione a non usarne troppo e mantenere una distanza di 2,54 cm (1 pollice) tra il foglio e il vano cottura.

L'elenco che segue è una guida generale per aiutarvi a selezionare gli utensili corretti.

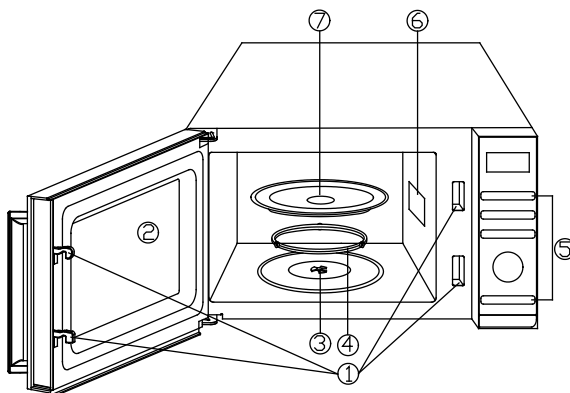
Tipi di pentole	Cottura a microonde
Vetro termoresistente	Sì
Vetro non termoresistente	No
Ceramica termoresistente	Sì
Piatto di plastica adatto al microonde	Sì
Carta da cucina	Sì
Vassoio in metallo	No
Ripiano in metallo	No
Pellicola di alluminio e contenitori in pellicola	No

# SPECIFICHE

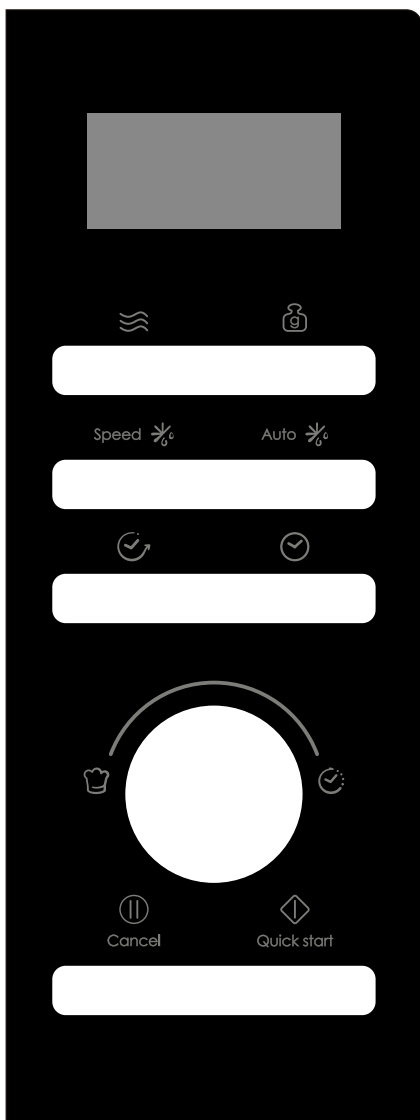
Potenza assorbita:	230 V/50 Hz, 1400 W (Microonde)
Output	900 W
Frequenza di funzionamento	2450MHz
Dimensioni esterne	281mm(H)×483mm(W)×389mm(D)
Dimensioni del vano cottura	220mm(H)×340mm(W)×320mm(D)
Capacità forno	Compatto 23 litri
Peso netto	Circa 13,1 kg

# SCHEMA DEL PRODOTTO

1. Sistema di blocco di sicurezza porta
  2. Finestra del forno
  3. Perno
  4. Anello a rulli
  5. Pannello di controllo
  6. Guida onde
  7. Vassoio in vetro
- (Si prega di non rimuovere la piastra di mica che copre la guida d'onda)



# PANNELLO DI CONTROLLO



## ● DISPLAY

Vengono visualizzati il tempo di cottura, la potenza, gli indicatori e l'orario.

## ● POTENZA

Premere per impostare il livello di potenza di cottura a microonde.

## ● REGOLAZIONE DEL PESO

Premere per impostare il peso del cibo o le porzioni.

## ● SCONGELAMENTO RAPIDO Speed

Premere per scongelare il cibo in base al tempo.

## ● SCONGELAMENTO Auto AUTOMATICO

Premere per scongelare il cibo in base al peso.

## ● PRESET

Usare per impostare l'avvio del forno in un momento successivo.

## ● OROLOGIO

Premere per impostare l'ora dell'orologio.

## ● MENU/TIME (quadrante)

Ruotare la manopola per selezionare i menu di cottura automatica.

Girare la manopola per impostare il tempo.

## ● PAUSA/ANNULLAMENTO Cancel


Premere una volta per interrompere temporaneamente la cottura o due volte per annullare la cottura.

## ● AVVIO/AVVIO RAPIDO Quick start

Premere per avviare i programmi di cottura e scongelamento.

Basta premerlo più volte per impostare il tempo di cottura e cuocere immediatamente a potenza massima.

# ISTRUZIONI PER L'USO

- Quando il forno viene collegato per la prima volta, viene emesso un segnale acustico e il display mostra “” e “1:01”.
- Nel processo di impostazione, trascorsi circa 25 secondi il forno tornerà in modalità standby.
- Durante la cottura, se si preme una volta il pulsante PAUSE/CANCEL, il programma verrà messo in pausa, quindi premere il pulsante START/QUICK START per riprendere. Ma se si preme due volte il pulsante PAUSE/CANCEL, il programma sarà cancellato.
- Dopo la fine della cottura, il display mostrerà End e il segnale acustico suonerà ogni due minuti finché l'utente non preme il pulsante PAUSE/CANCEL o apre lo sportello.
- Nel processo di funzionamento, premere un pulsante valido, il cicalino suona una volta, ma se premere un pulsante non valido, il cicalino suona due volte.

## IMPOSTAZIONE DELL'ORA

---

L'orologio ha 12-24 ore. Potete scegliere di impostare l'ora dell'orologio in 12 o 24 ore premendo il pulsante CLOCK in modalità standby.

1. In modalità standby, premere ripetutamente il pulsante CLOCK per selezionare l'orologio a 12 o 24 ore.
2. Girare la manopola MENU/TIME per impostare la cifra dell'ora.
3. Premere una volta il pulsante CLOCK.
4. Girare la manopola MENU/TIME per impostare la cifra dei minuti.
5. Premere il pulsante CLOCK per confermare.

**NOTA:** Durante la cottura, è possibile controllare l'ora corrente dell'orologio premendo il pulsante CLOCK.

## CUCINA ESPRESSA

---

Usare questa funzione per programmare il forno a microonde al 100% di potenza in modo conveniente. In modalità standby, premere ripetutamente il pulsante START/QUICK START per impostare il tempo di cottura (ogni pressione aumenta di 30 secondi, e fino a 10 minuti), il forno inizia a cuocere immediatamente a piena potenza. Durante la cottura, è possibile aggiungere il tempo di cottura premendo il pulsante AVVIO/AVVIO RAPIDO.

## COTTURA A MICROONDE

---

1. In modalità standby, premere ripetutamente il pulsante POWER per selezionare il livello di potenza.
2. Girare la manopola MENU/TIME per impostare il tempo di cottura. Il tempo massimo è di 95 minuti.
3. Premere il pulsante AVVIO/AVVIO RAPIDO per confermare.

### Selezionare il livello di potenza premendo il pulsante POWER.

Premere il pulsante POWER	Potenza (display)	Premere il pulsante POWER	Potenza (display)
Una volta	100% (100)	7 volte	40% (40)
Due volte	90% (90)	8 volte	30% (30)
3 volte	80% (80)	9 volte	20% (20)
4 volte	70% (70)	10 volte	10% (10)
5 volte	60% (60)	11 volte	00% (00)
6 volte	50% (50)		

**NOTA:** Durante la cottura, è possibile controllare il livello di potenza di cottura corrente premendo il pulsante POWER.

### SCONGELAMENTO AUTOMATICO

---

Il tempo di scongelamento e il livello di potenza sono impostati automaticamente una volta programmato il peso del cibo. Il peso del cibo congelato varia da 100 g a 1800 g.

1. In modalità standby, premere una volta il pulsante AUTO DEFROST.
2. Premere WEIGHT ADJUST ripetutamente per selezionare il peso del cibo.
3. Premere il pulsante AVVIO/AVVIO RAPIDO per confermare.

**NOTA:** Durante lo sbrinamento, il sistema farà una pausa e un suono per ricordare all'utente di girare il cibo, e poi premere il pulsante START/QUICK START per riprendere lo sbrinamento.

### SCONGELAMENTO RAPIDO

---

1. In modalità standby, premere una volta il pulsante SCONGELAMENTO RAPIDO.
2. Girare la manopola MENU/TIME per impostare il tempo di sbrinamento. Il tempo massimo è di 95 minuti.
3. Premere il pulsante AVVIO/AVVIO RAPIDO per confermare.

**NOTA:** Durante lo sbrinamento, il sistema farà una pausa e un suono per ricordare all'utente di girare il cibo, e poi premere START/QUICK START per riprendere lo sbrinamento.

## COTTURA A PIÙ FASI

---

Il forno può essere programmato fino a 2 sequenze di cottura automatiche. Supponiamo di voler impostare il seguente programma di cottura.

Cottura a microonde



Cottura a microonde (con livello di potenza inferiore)

1. Impostare il primo programma di cottura a microonde. Non premere il pulsante START/QUICK START.
2. Impostare il secondo programma di cottura a microonde.
3. Premere il pulsante AVVIO/AVVIO RAPIDO per confermare.

**NOTA:** I menu Express cooking, auto defrost, speed defrost e auto cook non possono essere impostati nella cottura multi-stage.

## PULIZIA AUTOMATICA (Appartengono al menu di cottura automatica)

---

Mettere una ciotola con 300 g di acqua nel forno e chiudere la porta.

1. In modalità standby, girare il quadrante MENU/TIME in senso antiorario una volta, e poi girare il quadrante finché il display mostra “A-14” e “AUTO”.
2. Premere una volta il pulsante WEIGHT ADJUST.
3. Premere il pulsante START/QUICK START per iniziare.

**NOTA:** Il tempo di pulizia è di 10 minuti.

## PRESET

---

La funzione di preselezione permette al forno di avviarsi in un momento successivo.

1. Inserire un programma di cottura (tranne la cottura espressa, lo scongelamento rapido e lo scongelamento automatico).
2. Premere una volta il pulsante PRESET.
3. Girare la manopola MENU/TIME per impostare la cifra dell'ora.
4. Premere una volta il pulsante PRESET.
5. Girare la manopola MENU/TIME per impostare la cifra dei minuti.
6. Premere il pulsante AVVIO/AVVIO RAPIDO per confermare.

**NOTA:** Quando il forno rimane in stato di preimpostazione, è possibile controllare il tempo preimpostato premendo una volta il pulsante PRESET, se si preme il pulsante PAUSE/CANCEL quando il display mostra l'ora, la funzione può essere annullata.

## SICUREZZA BAMBINI

---

La sicurezza per bambini impedisce l'azionamento non sorvegliato da parte dei bambini.

Per entrare nel blocco bambini: In modalità standby, se non c'è nessuna operazione entro un minuto, il forno entrerà automaticamente in modalità di blocco per bambini e la spia del blocco si accenderà. Nello stato di sicurezza bambini, tutti i pulsanti sono disabilitati.

Per annullare: In modalità blocco bambini, aprire o chiudere lo sportello del forno per cancellare il programma e la spia del blocco scomparirà.

## COTTURA AUTOMATICA

Per il seguente alimento o modo di cottura, non è necessario programmare il tempo di cottura e la potenza. È sufficiente indicare il tipo di cibo che si desidera cucinare e il peso o le porzioni di questo cibo.

1. In modalità standby, girare la manopola MENU/TIME in senso antiorario per selezionare il codice del cibo.
2. Premere ripetutamente il pulsante WEIGHT ADJUST per impostare il peso degli alimenti o le porzioni.
3. Premere il pulsante AVVIO/AVVIO RAPIDO per confermare.

### Menù di cottura automatica:

Codice	Alimenti	Peso/Quantità	Nota
A-01	Latte/caffè/tè (200 ml/tazza, 1-3 tazze)	<b>1 tazza</b>	Il display mostrerà il numero di porzioni invece del peso del cibo
		<b>da 2 dosatori</b>	
		<b>da 3 dosatori</b>	
A-02	Pizza	150 g	
		300 g	
		450 g	
A-03	Patata	100 g	
		200 g	
		300 g	
A-04	Riscaldamento automatico	200 g	
		300 g	
		400 g	
		500 g	
		600 g	
		700 g	
		800 g	
A-05	Pesce	200 g	
		300 g	
		400 g	
		500 g	
		600 g	
A-06	Popcorn	100 g	
A-07	Zuppa	1	200 g/porzione
		2	
		3	



<b>Codice</b>	<b>Alimenti</b>	<b>Peso/Quantità</b>	<b>Nota</b>
A-08	Porridge	50 g	
		100 g	
		150 g	
A-09	ortofrutticoli allo stato naturale	200 g	
		300 g	
		400 g	
		500 g	
		600 g	
A-10	Verdura congelata	200 g	
		300 g	
		400 g	
		500 g	
		600 g	
A-11	Riso	150 g	
		300 g	
		450 g	
		600 g	
A-12	Spaghetti/Pasta	100 g	
		200 g	
		300 g	
A-13	Cena/pasto congelato	250 g	
		500 g	
A-14	Autoclean/(la prestazione sarebbe la goccia d'acqua piena dell'interno della cavità)		

Il risultato della cottura automatica dipende da fattori quali la forma e le dimensioni degli alimenti, le vostre preferenze personali per quanto riguarda il grado di cottura di alcuni alimenti e anche con che cura introducete gli alimenti nel forno stesso. Se il risultato non dovesse comunque risultare soddisfacente, regolare di conseguenza il tempo di cottura.

# PULIZIA E MANUTENZIONE

1. Spegner e il forno e togliere il cavo di alimentazione dalla presa a muro prima della pulizia.
2. Pulizia all'interno del vano cottura. Quando schizzi di alimenti o liquidi versati aderiscono alle pareti del forno, strofinare con un panno umido. Se il forno è molto sporco, è possibile utilizzare un detergente delicato. Evitare l'uso di spray o altri detersivi aggressivi. Possono macchiare, striare o opacizzare la superficie dello sportello.
3. La parte esterna del forno deve essere pulita con un panno umido. Per evitare danni alle parti operative all'interno del forno, non lasciare che l'acqua penetri nelle aperture di ventilazione.
4. Pulire lo sportello e il vetro su entrambi i lati, le guarnizioni dello sportello e le parti adiacenti frequentemente con un panno umido per rimuovere eventuali fuoriuscite o spruzzi. Non utilizzare detersivi aggressivi.
5. Si sconsiglia l'utilizzo di una pulitrice a vapore.
6. Non lasciare che il pannello di controllo si bagni. Pulire con un panno morbido e umido. Durante la pulizia del pannello di controllo, lasciare lo sportello del forno aperto per evitare che il forno si accenda accidentalmente.
7. Se il vapore si accumula all'interno o all'esterno dello sportello del forno, strofinare con un panno morbido. Ciò può verificarsi quando il forno a microonde viene utilizzato in condizioni di elevata umidità. Tutto questo è normale.
8. Occasionalmente è necessario rimuovere il vassoio in vetro per la pulizia. Lavare il vassoio in acqua tiepida insaponata o in lavastoviglie.
9. L'anello a rulli e il fondo del forno devono essere puliti regolarmente per evitare rumori eccessivi. Pulire semplicemente la superficie inferiore del forno con un detergente delicato. L'anello a rulli può essere lavato in acqua tiepida insaponata o in lavastoviglie. Quando si toglie l'anello a rulli, assicurarsi di riposizionarlo nella posizione corretta.
10. Eliminare gli odori dal forno mescolando una tazza d'acqua con il succo e la buccia di un limone in una ciotola adatta per microonde. Riscaldarla nel microonde per 5 minuti. Risciacquare accuratamente e asciugare con un panno morbido.
11. Se la lampadina si brucia, si prega di contattare il servizio clienti per farla sostituire.
12. Il forno deve essere pulito regolarmente togliendo gli eventuali depositi di alimenti. La mancata conservazione del forno in condizioni di pulizia può portare ad un deterioramento della superficie che potrebbe compromettere la durata dell'elettrodomestico e causare una situazione di pericolo.
13. Non gettare l'elettrodomestico insieme ai rifiuti domestici; deve essere smaltito in un apposito centro di smaltimento messo a disposizione dai comuni.

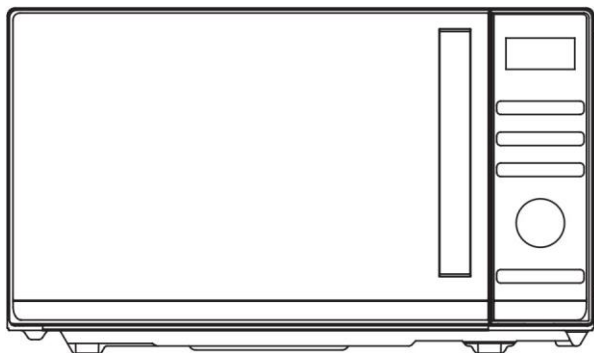


Questo apparecchio è etichettato in conformità alla direttiva europea 2012/19/UE sui rifiuti di apparecchiature elettriche ed elettroniche (Waste Electrical and Electronic Equipment Regulations 2013) per quanto riguarda le apparecchiature elettriche ed elettroniche (WEEE). I RAEE contengono sia sostanze inquinanti (che possono avere un effetto negativo sull'ambiente) sia elementi base (che possono essere riutilizzati). È importante che i RAEE siano sottoposti a trattamenti specifici in modo da togliere e smaltire in modo corretto gli inquinanti e recuperare tutti i materiali. Spetta ai singoli individui garantire che i RAEE non diventino un problema a livello ambientale. Esistono alcune regole specifiche da rispettare:

- i RAEE non devono essere trattati come rifiuti domestici;
- i RAEE devono essere portati nelle aree di smaltimento specifiche, gestite dai comuni o da società autorizzate.

In molti stati, nel caso di RAEE di grandi dimensioni sono disponibili servizi di prelievo a domicilio. Nel caso di acquisto di un nuovo elettrodomestico, quello vecchio può essere restituito al venditore che lo deve accettare gratuitamente in un'unica soluzione, a condizione che l'elettrodomestico sia di tipo simile ed abbia le stesse funzioni di quello acquistato.

# Pokyny pre mikrovlnnú rúru



Model: CMWA23TNDB

Pred inštaláciou a obsluhou rúry si pozorne prečítajte tento návod.

# OBSAH

<b>OPATRENIA NA ZABRÁNENIE MOŽNÉMU VYSTAVENIU NADMERNEJ MIKROVLNNEJ ENERGII .....</b>	<b>2</b>
<b>DÔLEŽITÉ BEZPEČNOSTNÉ POKYNY .....</b>	<b>2</b>
<b>NÁVOD NA INŠTALÁCIU .....</b>	<b>5</b>
<b>POKYNY NA UZEMNENIE .....</b>	<b>6</b>
<b>RÁDIOVÉ RUŠENIE .....</b>	<b>6</b>
<b>PRED VYŽIADANÍM SLUŽBY.....</b>	<b>6</b>
<b>TECHNIKY VARENIA .....</b>	<b>7</b>
<b>SPRIEVODCA KUCHYNSKÝM NÁČINÍM.....</b>	<b>7</b>
<b>ŠPECIFIKÁCIE .....</b>	<b>9</b>
<b>OVLÁDACÍ PANEL .....</b>	<b>10</b>
<b>NÁVOD NA OBSLUHU.....</b>	<b>11</b>
<b>NASTAVENIE HODÍN .....</b>	<b>11</b>
<b>EXPRESNÉ VARENIE .....</b>	<b>11</b>
<b>MIKROVLNNÁ PRÍPRAVA JEDLA .....</b>	<b>12</b>
<b>AUTOMATICKÉ ROZMRAZOVANIE .....</b>	<b>12</b>
<b>RÝCHLE ROZMRAZOVANIE .....</b>	<b>12</b>
<b>VIACSTUPŇOVÉ VARENIE .....</b>	<b>13</b>
<b>PREDVOLENÁ.....</b>	<b>13</b>
<b>DETSKÁ POISTKA .....</b>	<b>13</b>
<b>AUTOMATICKÉ VARENIE .....</b>	<b>14</b>
<b>ČISTENIE A ÚDRŽBA .....</b>	<b>16</b>

# OPATRENIA NA ZABRÁNENIE MOŽNÉMU VYSTAVENIU NADMERNEJ MIKROVLNNEJ ENERGII

1. Nepokúšajte sa používať túto rúru s otvorenými dverkami, pretože prevádzka s otvorenými dverkami môže mať za následok škodlivé vystavenie mikrovlnnej energii. Je dôležité, aby ste nepoškodili bezpečnostné zámky ani s nimi nemanipulovali.
2. Medzi čelnú plochu rúry a dvierka neumiestňujte žiadne predmety, ani nedovoľte, aby sa na tesniacich plochách nahromadila špina alebo zvyšky čistiaceho prostriedku.
3. Ak je rúra poškodená, nepoužívajte ju. Je veľmi dôležité, aby sa dvierka rúry riadne zatvorili a aby nedošlo k poškodeniu
  - a) Dvierka (vrátane akýchkoľvek ohnutých),
  - b) Závesy a západky (zlomené alebo uvoľnené),
  - c) Tesnenia dvierok a tesniace plochy.
4. Rúra by mal nastavovať a opravovať len kvalifikovaný servisný personál.

## DÔLEŽITÉ BEZPEČNOSTNÉ POKYNY

Pri používaní elektrického spotrebiča sa majú dodržiavať základné bezpečnostné opatrenia vrátane:

**UPOZORNENIE!** Na zníženie rizika popálenín, úrazu elektrickým prúdom, požiaru, zranenia osôb alebo vystavenia nadmernej mikrovlnnej energii:

1. Tento spotrebič používajte len na zamýšľané použitie, ako je opísané v návode. Na tento spotrebič nepoužívajte korozívne chemikálie ani výpary. Tento typ rúry je špeciálne navrhnutý na ohrev, varenie alebo sušenie potravín. Nie je určený na priemyselné alebo laboratórne použitie.
2. Ak je rúra prázdna, nepoužívajte ju.
3. Nepoužívajte tento spotrebič, ak má poškodený kábel alebo zástrčku, ak nefunguje správne, alebo ak bol poškodený alebo spadol. Ak došlo k poškodeniu napájacieho kábla, musí ho vymeniť výrobca, jeho servisný zástupca alebo podobne spôsobilá osoba, aby nedošlo k nebezpečenstvu.

4. **UPOZORNENIE!** Deti môžu používať rúru bez dozoru len vtedy, ak im boli poskytnuté primerané pokyny na to, aby mohli používať rúru bezpečným spôsobom a pochopili nebezpečenstvo spojené s nesprávnym použitím.
5. Aby sa znížilo riziko požiaru vo vnútri rúry:
  - Pri ohrievaní potravín v plastových alebo papierových nádobách sledujte rúru kvôli možnosti vznietenia.
  - Pred vložení vrecka do rúry odstráňte drôtené spony z papierových alebo plastových vreciek.
  - Ak spozorujete dym, vypnite alebo odpojte spotrebič a nechajte dvierka zatvorené, aby ste udusili všetok plameň.
  - Nepoužívajte vnútro rúry na skladovacie účely. Ak sa nepoužíva, nenechávajte vo vnútri papierové výrobky, kuchynské potreby ani jedlo.
  - Mikrovlnná rúra je určená na ohrev jedál a nápojov. Sušenie potravín alebo odevov a ohrev otepľovacích podložiek, papúč, špongií, vlhkej handričky a podobne môže viesť k riziku poranenia, vznietenia alebo požiaru.
6. **UPOZORNENIE!** Kvapalné alebo iné potraviny sa nesmú zahrievať v uzavretých nádobách, pretože by mohli vybuchnúť.
7. Ohrievanie nápoja mikrovlnnou rúrou môže viesť k oneskorenému erupčivému varu, preto sa pri manipulácii s nádobou musí postupovať opatrne.
8. Nesmažte jedlo v rúre. Horúci olej môže poškodiť časti rúry a príslušenstvo a dokonca spôsobiť popáleniny pokožky.
9. Vajcia v škrupine a celé vajcia varené na tvrdo by sa nemali zahrievať v mikrovlnných rúrach, pretože môžu vybuchnúť aj po ukončení zahrievania v mikrovlnnej rúre.
10. Potraviny s hrubou kožou, ako sú zemiaky, celé tekvice, jablká a gaštany, pred varením prepichnete.
11. Obsah krmných fliaš a detských pohárov by sa mal miešať alebo pretrepávať a pred podaním by sa mala skontrolovať teplota, aby sa zabránilo popáleninám.
12. Kuchynské nádoby sa môžu zohriať v dôsledku tepla prenášaného z ohrievaných potravín. Na manipuláciu s nádobami môžu byť potrebné kuchynské chňapky.
13. Nádoby by sa mali skontrolovať, aby sa zabezpečilo, že sú vhodné na použitie v mikrovlnnej rúre.
14. **UPOZORNENIE!** Je nebezpečné, aby akúkoľvek servisnú alebo opravnú operáciu, ktorá zahŕňa odstránenie akéhokoľvek krytu, ktorý poskytuje ochranu pred vystavením mikrovlnnej energii, vykonala osoba, ktorá nie je vyškolená.
15. Táto mikrovlnná rúra je v súlade s normou EN 55011/CISPR 11, v tejto norme patrí do triedy B skupiny 2. Zariadenie skupiny 2: skupina 2 obsahuje všetky rádiové frekvenčné zariadenia ISM, v ktorých sa úmyselne vyrába a

používa rádiový frekvenčná energia vo frekvenčnom rozsahu 9 kHz až 400 GHz alebo sa používa len lokálne vo forme elektromagnetického žiarenia, indukčného a/alebo kapacitného spojenia na úpravu materiálu, na účely inšpekcie/analýzy alebo na prenos elektromagnetickej energie. Zariadenie triedy B je zariadenie vhodné na používanie na miestach v obytných prostrediach a v zariadeniach priamo pripojených k sieti nízkonapäťového napájania, ktorou sú napájané budovy používané na bývanie.

16. Tento spotrebič nie je určený na použitie osobami (vrátane detí) so zníženými fyzickými, zmyslovými či duševnými schopnosťami, alebo osobami bez žiadnej znalosti, pokiaľ nie sú pod dozorom alebo neboli vopred poučené o používaní spotrebiča osobou zodpovednou za ich bezpečnosť.
17. Deti by mali byť pod dozorom, aby sa zaistilo, že sa nebudú hrať so zariadením.
18. Mikrovlnná rúra sa používa len ako voľne stojaca.
19. **UPOZORNENIE!** Neinštalujte rúru nad hornú časť varnej dosky alebo iný tepelný spotrebič. Ak by ste ju tam inštalovali, mohlo by dôjsť k poškodeniu a záruka by sa ukončila.
20. Mikrovlnná rúra sa nesmie umiestniť do skrine.
21. VAROVANIE: spotrebič a jeho prístupné časti sú počas prevádzky horúce.
22. **UPOZORNENIE!** Prístupné časti sa môžu počas používania zahriať. Malé deti by mali byť mimo dosahu.
23. Spotrebič sa pri používaní zahrieva na vysokú teplotu. Dávajte pozor, aby ste sa nedotkli vyhrievacích prvkov platničky a na pečenie vo vnútri rúry.
24. Teplota prístupných povrchov môže byť počas prevádzky spotrebiča vysoká.
25. Spotrebič sa umiestni k stene.
26. Spotrebič nesmú používať deti alebo osoby so zníženými fyzickými, zmyslovými alebo mentálnymi schopnosťami alebo nedostatkom skúseností a znalostí, pokiaľ nie sú pod dozorom alebo boli poučení.
27. **UPOZORNENIE!** Ak sú dvierka alebo tesnenia dvierok poškodené, rúra nesmie byť v prevádzke, kým ju neopraví kompetentná osoba.
28. Spotrebiče nie sú určené na obsluhu pomocou externého časovača alebo samostatného systému diaľkového ovládania.
29. Mikrovlnná rúra je určená len na použitie v domácnosti a nie na komerčné účely.
30. Nikdy neodstraňujte dištančnú lištu vzadu alebo po stranách, pretože zabezpečuje minimálnu vzdialenosť od steny pre cirkuláciu vzduchu.
31. Pred presunom spotrebiča zaistíte otočný tanier, aby nedošlo k poškodeniu.
32. **UPOZORNENIE!** Je nebezpečné, ak spotrebič opravuje alebo servisuje osoba, ktorá nie je špecialistom, pretože za týchto okolností je potrebné odstrániť kryt, ktorý zabezpečuje ochranu pred mikrovlnným žiarením. Platí to aj pre výmenu napájacieho kábla alebo osvetlenia. V týchto prípadoch pošlite spotrebič do nášho servisného strediska.



33. Mikrovlnná rúra je určená len na rozmrazovanie potravín, ich varenie a varenie v pare.
34. Ak vyberáte akékoľvek zohriate jedlo, použite rukavice.
35. Pozor! Pri otváraní viečok alebo baliacej fólie uniká para.
36. Tento spotrebič môžu používať deti staršie než 8 rokov a osoby so zníženými telesnými, zmyslovými alebo duševnými schopnosťami alebo s nedostatkom skúseností a znalostí, len ak sú pod dozorom alebo dostali pokyny o používaní spotrebiča bezpečným spôsobom a ak chápu nebezpečenstvá s ním súvisiace. Deti sa nesmú hrať so spotrebičom. Čistenie a údržbu používateľa nesmú vykonávať deti, pokiaľ nie sú staršie ako 8 rokov a nie sú pod dohľadom.
37. Ak sa tvorí dym, vypnite alebo odpojte spotrebič a nechajte dvierka zatvorené, aby ste udusili prípadný plameň.

## NÁVOD NA INŠTALÁCIU

1. Uistite sa, či sú zvnútra rúry odstránené všetky obalové materiály.
2. **UPOZORNENIE!** Skontrolujte, či rúra nie je poškodená, ako sú nesprávne zarovnané alebo ohnuté dvierka, poškodené tesnenia dvierok a tesniaci povrch, poškodené alebo uvoľnené závesy dvierok a zámky a zuby vo vnútri rúry alebo na dvierkach. Ak dôjde k poškodeniu, rúru nepoužívajte a kontaktujte kvalifikovaný servisný personál.
3. Táto mikrovlnná rúra sa musí umiestniť na rovný, stabilný povrch, ktorý udrží jej hmotnosť a najťažšie jedlo, ktoré sa pravdepodobne bude pripravovať v rúre.
4. Neumiestňujte rúru tam, kde vzniká teplo, vlhko alebo vysoká vlhkosť, alebo v blízkosti horľavých materiálov.
5. Pre správnu prevádzku musí mať rúra dostatočný prítok vzduchu. Nad rúrou nechajte 20 cm priestoru, vzadu 10 cm a po oboch stranách 5 cm. Nezakrývajte ani neblokujte žiadne otvory na spotrebiči. Neodstraňujte nožičky.
6. Nepoužívajte rúru bez skleneného taniera, valčekového prstenca a hriadeľa v ich správnej polohe.
7. Uistite sa, či napájací kábel nie je poškodený a či neprechádza pod rúrou ani cez horúci alebo ostrý povrch.
8. Zásuvka musí byť dobre prístupná, aby bolo možné spotrebič, v prípade nebezpečenstva, ľahko odpojiť od siete.
9. Nepoužívajte rúru vonku.

# POKYNY NA UZEMNENIE

Tento spotrebič musí byť uzemnený. Táto rúra je vybavená káblom, ktorý má uzemňovací vodič s uzemňovacou zástrčkou. Musí byť zapojený do takej zásuvky, ktorá je správne nainštalovaná a uzemnená. V prípade elektrického skratu uzemnenie znižuje riziko úrazu elektrickým prúdom tým, že poskytuje elektrickému prúdu únikový vodič. Odporúča sa, aby bol k dispozícii samostatný okruh slúžiaci len pre rúru. Použitie vysokého napätia je nebezpečné a môže mať za následok požiar alebo inú nehodu spôsobujúcu poškodenie rúry. **UPOZORNENIE!** Nesprávne použitie uzemňovacej zástrčky môže spôsobiť riziko úrazu elektrickým prúdom. Poznámka:

1. Ak máte akékoľvek otázky týkajúce sa uzemnenia alebo elektrických pokynov, poraďte sa s kvalifikovaným elektrikárom alebo servisným technikom.
2. Výrobca ani predajca nemôžu prevziať žiadnu zodpovednosť za poškodenie rúry alebo zranenie osôb v dôsledku nedodržania postupov elektrického pripojenia.

Drôty v tomto káblovom vedení sú sfarbené v súlade s nasledujúcim kódom:

**Zelená a žltá = UZEMNENIE**

**Modrá = NEUTRÁL**

**Hnedá = FÁZA**

# RÁDIOVÉ RUŠENIE

Prevádzka mikrovlnnej rúry môže spôsobiť rušenie rádiového, televízneho alebo podobného zariadenia. Ak dôjde k rušeniu, môže sa znížiť alebo eliminovať nasledovnými opatreniami:

1. Vyčistíte dvierka a tesniaci povrch rúry.
2. Presmerujte prijímaciu anténu rádia alebo televízie.
3. Mikrovlnnú rúru premiestnite s ohľadom na prijímač.
4. Presuňte mikrovlnnú rúru od prijímača.
5. Zapojte mikrovlnnú rúru do inej zásuvky tak, aby boli mikrovlnná rúra a prijímač pripojené k rôznym vetvám obvodu.

# PRED VYŽIADANÍM SLUŽBY

Pred vyžiadaním servisu skontrolujte každú položku nižšie:

- Skontrolujte, či je rúra bezpečne zapojená. Ak nie, vyťahnite zástrčku zo zásuvky, počkajte 10 sekúnd a znovu ju bezpečne zapojte.
- Skontrolujte, či nie je spálená poistka obvodu alebo vypnutý hlavný istič. Ak sa zdá, že tieto zariadenia fungujú správne, otestujte zásuvku iným spotrebičom.

- Skontrolujte, či je ovládací panel správne naprogramovaný a časovač je nastavený.
- Skontrolujte, či sú dvierka bezpečne zatvorené s použitím systému zámku dvierok. Ak dvierka nie sú správne zatvorené, vo vnútri nebude prúdiť mikrovlnná energia.

**AK ŽIADNE Z VYŠŠIE UVEDENÝCH OPATRENÍ NEVYRIEŠI PROBLÉM, KONTAKTUJTE KVALIFIKOVANÉHO TECHNIKA. NEPOKÚŠAJTE SA RÚRU NASTAVIŤ ANI OPRAVIŤ SAMI.**

## TECHNIKY VARENIA

1. Opatrne pripravte potraviny. Najhrubšie miesta umiestnite smerom von z taniera.
2. Sledujte čas prípravy jedla. Varte čo najkratšie a podľa potreby ho predĺžte. Silne prehriate jedlo môže dymiť alebo sa môže vznietiť.
3. Počas varenia zakryte potraviny. Kryty zabraňujú rozstreknutiu a pomáhajú rovnomernému vareniu potravín.
4. Počas mikrovlnnej prípravy jedla jedenkrát otočte jedlo, aby ste urýchlili varenie takých potravín, ako sú kurča a hamburgery. Veľké kusy, ako sú pečienky, sa musia otočiť aspoň raz.
5. Jedlo ako mäsové guľky uprostred varenia premiešajte tak, aby sa guľky zdola dostali nahor a guľky zo stredu taniera na okraj.

## SPRIEVODCA KUCHYNSKÝM NÁČINÍM

1. Mikrovlny nemôžu preniknúť cez kov. Používajte len také nádoby, ktoré sú vhodné na použitie v mikrovlnných rúrach. Kovové nádoby na potraviny a nápoje nie sú počas mikrovlnnej prípravy jedla povolené. Táto požiadavka sa neuplatňuje, ak výrobca špecifikuje veľkosť a tvar kovových nádob vhodných na mikrovlnnú prípravu jedla.
2. Mikrovlny nemôžu preniknúť cez kov, preto by sa nemali používať kovové nádoby alebo riady s kovovým lemovaním.
3. Výrobky z recyklovaného papiera nepoužívajte pri mikrovlnnej príprave jedla, pretože môžu obsahovať malé kovové úlomky, ktoré môžu spôsobiť iskry a/alebo požiare.
4. Odporúčame zvoliť radšej okrúhle alebo oválne nádoby, pretože v obdĺžnikových a štvorcových sa môže jedlo v rohoch prehrievať.
5. Na zabránenie prehriatia exponovaných plôch sa môžu použiť úzke pásy hliníkovej fólie. Ale buďte opatrní, nepoužívajte jej príliš veľa a udržiavajte

vzdialenosť 2,54 cm medzi fóliou a stenou vnútra.

Zoznam uvedený nižšie je všeobecným sprievodcom, ktorý vám pomôže vybrať správne nádoby.

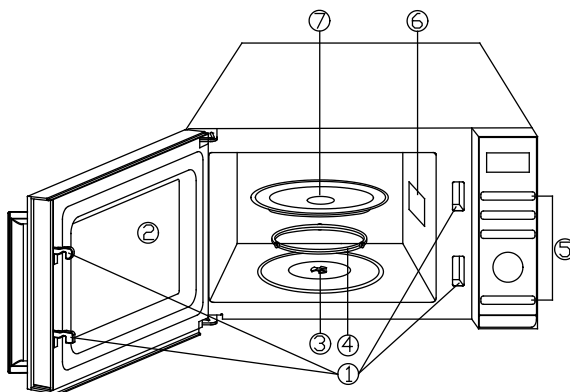
Hrnce	Mikrovlnná príprava jedla
Tepelne odolné sklo	Áno
Sklo, ktoré nie je odolné voči teplu	Nie
Keramika odolná voči teplu	Áno
Plastový riad bezpečný pre mikrovlnnú rúru	Áno
Kuchynský papier	Áno
Kovový tanier	Nie
Kovový stojan	Nie
Hliníkové fólie a fóliové obaly	Nie

# ŠPECIFIKÁCIE

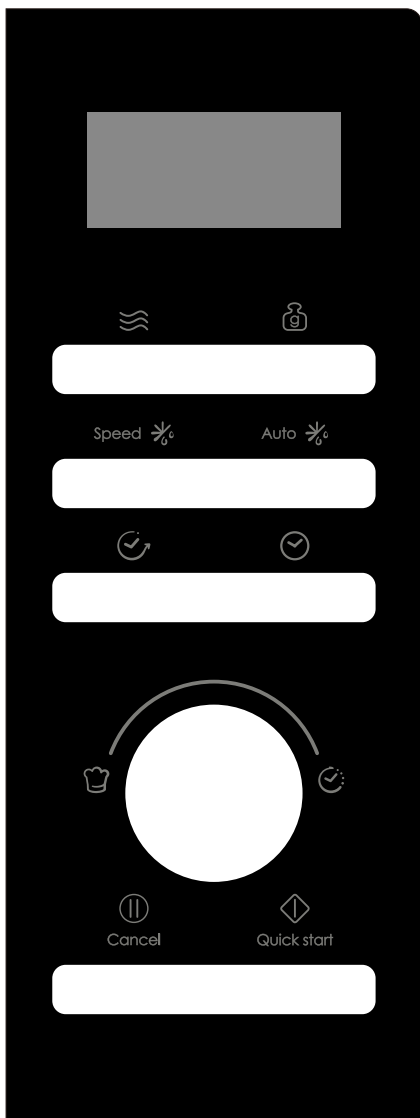
Príkon:	230 V/50 Hz, 1400 W (mikrovlnná rúra)
Výstup	900 W
Prevádzková frekvencia:	2450 MHz
Vonkajšie rozmery	281 mm (V) × 483 mm (Š) × 389 mm (H)
Rozmery vnútra rúry:	220 mm (V) × 340 mm (Š) × 320 mm (H)
Objem rúry:	Kompaktný 23 litrov
Čistá hmotnosť:	Približne 13,1 kg

## DIAGRAM PRODUKTU

1. Systém bezpečnostného zámku dverok
2. Okienko rúry
3. Hriadeľ
4. Valčekový prstenec
5. Ovládací panel
6. Sprievodca vlnami  
(Neodstraňujte sľudovú dosku pokrývajúcu vlnovod)
7. Sklenený tanier



# OVLÁDACÍ PANEĽ



## ● DISPLEJ

Zobrazuje sa čas varenia, výkon, indikátory a čas hodín.

## ● POWER

Stlačením nastavíte úroveň výkonu mikrovlnnej prípravy jedla.

## ● NASTAVENIE VÁHY

Stlačením tlačidla nastavíte hmotnosť potravín alebo porcií.

## ● RÝCHLOSTNÉ ODMRAZOVANIE

Speed 

Stlačením rozmrazíte potraviny podľa času.

## ● AUTOMATICKÉ ROZMRAZOVANIE

Stlačením rozmrazíte potraviny podľa hmotnosti.

## ● PREDNASTAVENÉ

Použite na nastavenie spustenia rúry na neskorší čas.

## ● CLOCK

Stlačte pre nastavenie času hodín.

## ● MENU/ČAS (vytáčanie)

Otáčaním voliča vyberte menu automatického varenia.

Otáčaním ovládača nastavte čas.

## ● PAUZA/ZRUŠENIE


Jedným stlačením dočasne ukončíte prípravu jedla alebo dvoma stlačeniami úplne zrušíte prípravu jedla.

## ● ŠTART/RÝCHLY ŠTART

Stlačením spustíte programy varenia a rozmrazovania.

Jednoducho ho niekoľkokrát stlačte, aby ste nastavili čas prípravy jedla a okamžite ho uvarili pri plnom výkone.

# NÁVOD NA OBSLUHU

- Pri prvom zapojení rúry zaznie zvukový signál a na displeji sa zobrazí  a "1:01".
- Počas nastavovania prerušeného na asi 25 sekúnd sa rúra vráti do pohotovostného režimu.
- Ak počas varenia raz stlačíte tlačidlo PAUSE/CANCEL, program sa pozastaví, potom stlačením tlačidla START/QUICK START pokračujte. Ak však dvakrát stlačíte tlačidlo PAUSE/CANCEL, program sa zruší.
- Po skončení varenia sa na displeji zobrazí End a každé dve minúty zaznie zvukový signál, kým používateľ nestlačí tlačidlo PAUSE/CANCEL alebo neotvorí dvierka.
- Ak počas prevádzky stlačíte platné tlačidlo, bzučiak zazvoní raz, ale ak stlačíte neplatné tlačidlo, bzučiak zazvoní dvakrát.

## NASTAVENIE HODÍN

---

Toto sú hodiny s 12- alebo 24- hodinovým formátom času. Stlačením tlačidla CLOCK v pohotovostnom režime môžete nastaviť 12- alebo 24-hodinový čas hodín.

1. V pohotovostnom režime opakovaným stláčaním tlačidla CLOCK vyberte 12- alebo 24-hodinové hodiny.
2. Otáčaním voliča MENU/ČAS nastavte číslicu hodiny.
3. Stlačte raz tlačidlo CLOCK.
4. Otáčaním voliča MENU/ČAS nastavte číslicu minúty.
5. Stlačte tlačidlo CLOCK na potvrdenie.

**POZNÁMKA:** Počas varenia môžete skontrolovať aktuálny čas stlačením tlačidla CLOCK.

## EXPRESNÉ VARENIE

---

Túto funkciu použite na pohodlné naprogramovanie rúry na mikrovlnné ohrievanie jedla pri 100 % výkone. V pohotovostnom režime opakovaným stláčaním tlačidla START/QUICK START nastavte čas pečenia (každé stlačenie zvýši čas pečenia o 30 sekúnd a až o 10 minút), rúra začne okamžite piecť na plný výkon. Počas varenia môžete pridať čas prípravy jedla stlačením tlačidla ŠTART/RÝCHLY ŠTART.

## MIKROVLNNÁ PRÍPRAVA JEDLA

---

1. V pohotovostnom režime opakovaným stláčaním tlačidla POWER vyberte úroveň výkonu.
2. Otočením voliča MENU/ČAS nastavte čas varenia. Najdlhší čas je 95 minút.
3. Potvrďte stlačením tlačidla ŠTART/RÝCHLY ŠTART.

### Stlačením tlačidla POWER vyberte úroveň výkonu.

Stlačte tlačidlo POWER	Výkon (displej)	Stlačte tlačidlo POWER	Výkon (displej)
Raz	100 % (100)	7-krát	40 % (40)
Dvakrát	90 % (90)	8-krát	30 % (30)
3-krát	80 % (80)	9-krát	20 % (20)
4-krát	70 % (70)	10-krát	10 % (10)
5-krát	60 % (60)	11-krát	00 % (00)
6-krát	50 % (50)		

**POZNÁMKA:** Počas varenia môžete skontrolovať aktuálny stupeň výkonu varenia stlačením tlačidla POWER.

## AUTOMATICKÉ ROZMRAZOVANIE

---

Čas rozmrazovania a úroveň výkonu sa nastaví automaticky po naprogramovaní hmotnosti potravín. Hmotnosť mrazených potravín sa pohybuje od 100 g do 1800 g.

1. V pohotovostnom režime stlačte raz tlačidlo AUTO DEFROST.
2. Opakovaným stláčaním tlačidla WEIGHT ADJUST vyberte hmotnosť potraviny.
3. Potvrďte stlačením tlačidla ŠTART/RÝCHLY ŠTART.

**POZNÁMKA:** Počas rozmrazovania sa systém pozastaví a zvukovým signálom pripomenie používateľovi, aby potraviny obrátil, a potom stlačením tlačidla START/QUICK START pokračuje v rozmrazovaní.

## RÝCHLE ROZMRAZOVANIE

---

1. V pohotovostnom režime raz stlačte tlačidlo RÝCHLE ROZMRAZOVANIE.
2. Otočením voliča MENU/ČAS nastavte čas rozmrazovania. Najdlhší čas je 95 minút.
3. Potvrďte stlačením tlačidla ŠTART/RÝCHLY ŠTART.

**POZNÁMKA:** Počas rozmrazovania sa systém pozastaví a zvukovým signálom pripomenie používateľovi, aby potraviny obrátil, a potom stlačením tlačidla START/QUICK START pokračuje v rozmrazovaní.



## VIACSTUPŇOVÉ VARENIE

---

Vašu rúru môžete naprogramovať až na 2 automatické sekvencie pečenia. Predpokladajme, že chcete nastaviť nasledujúci program varenia:

Mikrovlnná príprava jedla



Mikrovlnná príprava jedla (s nižšou úrovňou výkonu)

1. Zadajte prvý program mikrovlnnej prípravy jedla. Nestláčajte tlačidlo START/QUICK START.
2. Zadajte druhý program mikrovlnnej prípravy jedla.
3. Potvrďte stlačením tlačidla ŠTART/RÝCHLY ŠTART.

**POZNÁMKA:** Ponuky expresného varenia, automatického rozmrazovania, rýchleho rozmrazovania a automatického varenia nie je možné nastaviť vo viacstupňovom varení.

## AUTOMATICKÉ ČISTENIE (Patrí do ponuky automatického varenia)

---

Do rúry vložte misku s 300 g vody a zatvorte dvierka.

1. V pohotovostnom režime otočte raz volič MENU/TIME proti smeru hodinových ručičiek a potom otáčajte voličom, kým sa na displeji nezobrazí "A- 14" a "AUTO".
2. Stlačte raz tlačidlo WEIGHT ADJUST.
3. Stlačte tlačidlo START/QUICK START na spustenie.

**POZNÁMKA:** Čas čistenia je 10 minút.

## PREDVOLENÁ

---

Funkcia predvolby umožňuje, aby sa rúra spustila neskôr.

1. Zadajte program varenia (okrem expresného varenia, rýchleho rozmrazovania a automatického rozmrazovania).
2. Stlačte tlačidlo PRESET jedenkrát.
3. Otáčaním voliča MENU/ČAS nastavte číslicu hodiny.
4. Stlačte tlačidlo PRESET jedenkrát.
5. Otáčaním voliča MENU/ČAS nastavte číslicu minúty.
6. Potvrďte stlačením tlačidla ŠTART/RÝCHLY ŠTART.

**POZNÁMKA:** Keď rúra zostane v prednastavenom stave, môžete skontrolovať prednastavený čas jedným stlačením tlačidla PRESET, ak stlačíte tlačidlo PAUSE/CANCEL, keď sa na displeji zobrazí čas, funkciu môžete zrušiť.

## DETSKÁ POISTKA

---

Det'ská poistka zabraňuje deťom v práci bez dozoru.

Zadanie deť'ského zámku: V pohotovostnom režime, ak sa do jednej minúty nevykoná žiadna činnosť, rúra automaticky prejde do režimu deť'skej poistky a rozsvieti sa kontrolka poistky. V stave deť'skej poistky sú všetky tlačidlá

deaktivované.

Zrušenie: V režime detskej poistky otvorte alebo zatvorte dverka rúry, aby ste zrušili program a kontrolka poistky zmizne.

## **AUTOMATICKÉ VARENIE**

---

Pre nasledujúce jedlo alebo režim varenia nie je potrebné programovať čas a výkon varenia. Stačí uviesť typ jedla, ktoré chcete uvariť, ako aj hmotnosť alebo porcie tohto jedla.

1. V pohotovostnom režime otáčaním voliča MENU/TIME proti smeru hodinových ručičiek vyberte kód jedla.
2. Opakovaným stláčaním tlačidla WEIGHT ADJUST nastavte hmotnosť potravín alebo porcií.
3. Potvrďte stlačením tlačidla ŠTART/RÝCHLY ŠTART.

### **Ponuky automatického varenia:**

<b>Kód</b>	<b>Jedlo</b>	<b>Hmotnosť/ množstvo</b>	<b>Poznámka</b>
A-01	Mlieko/káva/čaj (200 ml/šálka, 1-3 šálky)	<b>1 šálka</b>	Na displeji sa namiesto hmotnosti potravín zobrazí počet porcií
		<b>2 šálky</b>	
		<b>3 šálky</b>	
A-02	Pizza	150 g	
		300 g	
		450 g	
A-03	Zemiak	100 g	
		200 g	
		300 g	
A-04	Automatický opätovný ohrev	200 g	
		300 g	
		400 g	
		500 g	
		600 g	
		700 g	
		800 g	
A-05	Ryba	200 g	
		300 g	
		400 g	
		500 g	
		600 g	

Kód	Jedlo	Hmotnosť/ množstvo	Poznámka
A-06	Pukance	100 g	
A-07	polievka	1	200 g/porcia
		2	
		3	
A-08	Ovsená kaša	50 g	
		100 g	
		150 g	
A-09	Čerstvá zelenina	200 g	
		300 g	
		400 g	
		500 g	
		600 g	
A-10	Mrazená zelenina	200 g	
		300 g	
		400 g	
		500 g	
		600 g	
A-11	Ryža	150 g	
		300 g	
		450 g	
		600 g	
A-12	Špagety/cestoviny	100 g	
		200 g	
		300 g	
A-13	Mrazená večera/jedlo	250 g	
		500 g	
A-14	Autoclean/(výkon by bol plný kvapky vody vo vnútri dutiny)		

Výsledok automatického varenia závisí od takých faktorov, ako je tvar a veľkosť jedla, vaša osobná preferencia, pokiaľ ide o prepečenie určitých jedál, a dokonca aj od toho, ako umiestnite jedlo v rúre. Ak zistíte, že výsledok nie je v žiadnom prípade úplne uspokojivý, jemne podľa toho upravte čas prípravy jedla.

# ČISTENIE A ÚDRŽBA

1. Vypnite rúru a pri čistení odpojte napájací kábel zo zásuvky.
2. Udržujte vnútro rúry čisté. Keď sa rozstreknuté alebo rozliate tekutiny prilepia na steny rúry, utrite ich vlhkou handričkou. Ak sa rúra veľmi zašpiní, môžu sa použiť jemné čistiace prostriedky. Nepoužívajte spreje ani iné silné čistiace prostriedky. Môžu zanechať na povrchu dvierok škvrny, šmuhy alebo ho môžu zmatniť.
3. Vonkajší povrch rúry by sa mal čistiť vlhkou handričkou. Aby sa zabránilo poškodeniu obslužných častí vo vnútri rúry, voda nesmie presiaknuť do vetracích otvorov.
4. Dvierka a okienko na oboch stranách, tesnenia dvierok a príslušné časti často utierajte vlhkou handričkou, aby ste odstránili všetky rozliate alebo rozstreknuté tekutiny. Nepoužívajte abrazívny čistiaci prostriedok.
5. Parný čistič sa nepoužíva.
6. Nedovoľte, aby sa ovládací panel namočil. Vyčistite ho mäkkou, vlhkou handričkou. Pri čistení ovládacieho panela nechajte dvierka rúry otvorené, aby sa zabránilo náhodnému zapnutiu rúry.
7. Ak sa para nahromadí vo vnútri alebo okolo dvierok rúry, utrite ju mäkkou handričkou. Toto môže nastať, ak je mikrovlnná rúra v prevádzke pri vysokej vlhkosti. Je to bežný jav.
8. Občas je potrebné vybrať sklenený tanier a očistiť ho. Umyte tanier v teplej mydlovej vode alebo v umývačke riadu.
9. Valčekový prstenec a dno rúry by sa mali pravidelne čistiť, aby sa zabránilo nadmernému huku. Jednoducho utrite dno rúry jemným čistiacim prostriedkom. Valčekový prstenec sa môže umývať v jemnej mydlovej vode alebo v umývačke riadu. Pri demontáži valčekového prstenca ho nezabudnite dať naspäť v správnej polohe.
10. Zápach z rúry odstránite kombináciou šálky vody so šťavou a kožou jedného citrónu v miske do mikrovlnnej rúry. Zapnite mikrovlnnú rúru na 5 minút. Dôkladne ju utrite a vysušte mäkkou handričkou.
11. Ak sa vypáli žiarovka, požiadajte zákaznícky servis o jej výmenu.
12. Rúra by sa mala pravidelne čistiť a všetky usadeniny potravín by sa mali odstrániť. Neudržiavanie rúry v čistom stave môže viesť k poškodeniu povrchu, ktoré by mohlo nepriaznivo ovplyvniť životnosť zariadenia a spôsobiť nebezpečenstvo.
13. Tento spotrebič nevyhadzujte do domáceho odpadu. Mal by byť zlikvidovaný v špeciálnom zbernom dvore, ktorý zriadila obec.



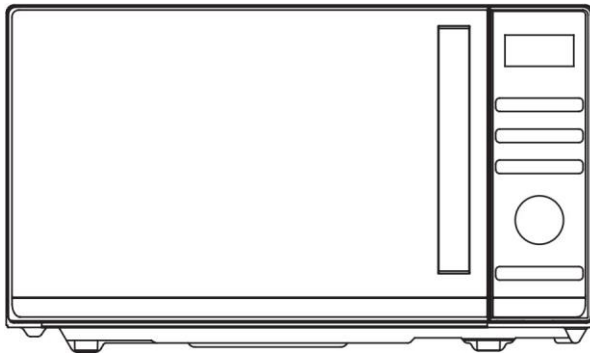
Tento spotrebič je označený v súlade s európskou smernicou 2012/19/EÚ o predpisoch o odpade z elektrických a elektronických zariadení z roku 2013 týkajúcich sa elektrických a elektronických spotrebičov (OEEZ). OEEZ sa zaoberá znečisťujúcimi látkami (ktoré môžu mať negatívny vplyv na životné prostredie) a základnými prvkami (ktoré sa môžu znovu použiť). Je dôležité, aby OEEZ

podstúpili osobitné úpravy na správne odstránenie a likvidáciu znečisťujúcich látok a obnovu všetkých materiálov. Jednotlivci môžu zohrávať dôležitú rolu pri zabezpečovaní toho, aby sa z OEEZ nestal problém životného prostredia; potrebné je dodržiavať niekoľko základných pravidiel:

- s OEEZ sa nesmie nakladať ako s domovým odpadom;
- OEEZ sa musia odvážať do vyhradených zberných oblastí spravovaných mestskou radou alebo registrovanou spoločnosťou.

V mnohých krajinách môžu byť k dispozícii pre veľké OEEZ strediská zberu domového odpadu. Keď si kúpite nový spotrebič, starý spotrebič sa môže vrátiť dodávateľovi, ktorý ho musí prijať bezplatne ako jednorazovú záležitosť, pokiaľ je spotrebič ekvivalentného typu a má rovnaké funkcie ako zakúpený spotrebič.

# Інструкції до мікрохвильової печі



Модель: CMWA23TNDB

Будь ласка, уважно прочитайте ці інструкції перед встановленням та експлуатацією мікрохвильової печі.

# ЗМІСТ

<b>ЗАХОДИ БЕЗПЕКИ ДЛЯ УНИКНЕННЯ МОЖЛИВОГО НАДМІРНОГО ВПЛИВУ МІКРОХВИЛЬОВОЇ ЕНЕРГІЇ.....</b>	<b>2</b>
<b>ВАЖЛИВІ ІНСТРУКЦІЇ З ТЕХНІКИ БЕЗПЕКИ .....</b>	<b>2</b>
<b>ПОСІБНИК ІЗ ВСТАНОВЛЕННЯ.....</b>	<b>5</b>
<b>ІНСТРУКЦІЇ ЩОДО ЗАЗЕМЛЕННЯ .....</b>	<b>6</b>
<b>РАДІОПЕРЕШКОДИ .....</b>	<b>7</b>
<b>ПЕРШ НІЖ ВИКЛИКАТИ СЛУЖБУ .....</b>	<b>7</b>
<b>ТЕХНІКИ ПРИГОТУВАННЯ.....</b>	<b>7</b>
<b>ПОСІБНИК З КУХОННОГО ПОСУДУ .....</b>	<b>8</b>
<b>ТЕХНІЧНІ ХАРАКТЕРИСТИКИ.....</b>	<b>9</b>
<b>ПАНЕЛЬ УПРАВЛІННЯ.....</b>	<b>10</b>
<b>ІНСТРУКЦІЯ З ЕКСПЛУАТАЦІЇ .....</b>	<b>11</b>
Налаштування годинника.....	11
Експрес-приготування їжі .....	11
Приготування в мікрохвильовій печі .....	12
Автоматичне розморожування.....	12
Швидке розморожування .....	12
Багатостадійне приготування .....	13
Попередній набір .....	13
Функція блокування від дітей .....	13
Автоматичне приготування .....	14
<b>ОЧИЩЕННЯ ТА ДОГЛЯД .....</b>	<b>16</b>

# ЗАХОДИ БЕЗПЕКИ ДЛЯ УНИКНЕННЯ МОЖЛИВОГО НАДМІРНОГО ВПЛИВУ МІКРОХВИЛЬНОЇ ЕНЕРГІЇ

1. Не намагайтеся використовувати цю мікрохвильову піч із відкритими дверцятами, оскільки робота з відкритими дверцятами може призвести до шкідливого впливу мікрохвильової енергії. Важливо не пошкодити й не змінювати запобіжні блокування.
2. Не розміщуйте будь-який предмет між передньою поверхнею печі та дверцятами, а також не допускайте накопичення на поверхнях ущільнення бруду або залишків мийних засобів.
3. Не використовуйте мікрохвильову піч, якщо вона пошкоджена. Дуже важливо, щоб дверцята печі правильно закривалися і щоб не було пошкоджень
  - a) дверцят (зокрема будь-яких згинань),
  - b) петель та заціпок (зламани або ослаблені),
  - c) ущільнень дверцят та поверхонь ущільнення.
4. Жодна особа, окрім кваліфікованого персоналу із сервісного обслуговування, не повинна здійснювати регулювання або ремонт печі.

## ВАЖЛИВІ ІНСТРУКЦІЇ З ТЕХНІКИ БЕЗПЕКИ

Під час використання електроприладу слід дотримуватися основних запобіжних заходів, зокрема наступних:

**УВАГА!** Для зменшення ризику опіків, ураження електричним струмом, пожежі, травм або впливу надмірної мікрохвильової енергії:

1. Використовуйте цей прилад тільки за призначенням, як описано в посібнику. Не використовуйте корозійні хімічні речовини або випари в цьому приладі. Цей тип печі спеціально призначений для нагрівання, приготування або сушіння їжі. Цей прилад не призначений для промислового або лабораторного використання.
2. Не використовуйте мікрохвильову піч, коли вона порожня.
3. Не використовуйте цей прилад, якщо він має пошкоджений шнур або вилку, якщо він не працює правильно, або якщо він був пошкоджений або падав. З метою уникнення небезпеки, заміна пошкодженого шнура живлення повинна здійснюватися виробником, фахівцем сервісного



центру або іншою кваліфікованою особою.

4. **УВАГА!** Дозволяйте дітям користуватися приладом без нагляду лише після надання відповідних інструкцій, щоб дитина могла безпечно користуватися піччю та розуміти небезпеку неналежного використання.
5. Щоб зменшити ризик пожежі в порожнині печі:
  - Під час нагрівання харчових продуктів у пластиковій або паперовій тарі часто перевіряйте піч через можливість займання.
  - Перед тим, як помістити паперові або поліетиленові пакети в піч, зніміть із них будь-які зав'язки.
  - Якщо ви помітили дим, вимкніть або від'єднайте прилад від джерела живлення і тримайте дверцята зачиненими, щоб заглушити будь-яке полум'я.
  - Не використовуйте порожнину для зберігання. Не залишайте паперові вироби, посуд для приготування їжі або їжу в порожнині, коли прилад не використовуються.
  - Мікрохвильова піч призначена для розігрівання продуктів харчування та напоїв. Сушіння їжі або одягу та нагрівання гріючих подушечок, тапочок, губок, вологої тканини та подібних предметів може призвести до ризику травмування, займання або пожежі.
6. **УВАГА!** Рідину або інші продукти харчування не слід нагрівати в герметичних контейнерах, оскільки вони можуть вибухнути.
7. Мікрохвильове нагрівання напою може призвести до закипання і розбризкування із затримкою, тому слід бути обережним під час перенесення контейнера.
8. Не смажте їжу в печі. Гаряча олія може пошкодити деталі печі та посуд і навіть призвести до опіків шкіри.
9. Яйця в шкарлупі та цілі зварені круто яйця не слід розігрівати в мікрохвильових печах, оскільки вони можуть вибухнути навіть після закінчення мікрохвильового нагрівання.
10. Перед приготуванням проколюйте продукти з твердою шкіркою, зокрема картоплю, цілі гарбузи, яблука та каштани.
11. Вміст пляшок для годування та банок для немовлят слід перемішати або струсити, а перед подачею перевірити температуру, щоб уникнути опіків.
12. Посуд може стати гарячим через тепло, що передається від нагрітої їжі. Для перенесення посуду можуть знадобитися кухонні рукавички.
13. Слід перевірити посуд, щоб переконатися, що він придатний для використання в мікрохвильовій печі.
14. **УВАГА!** Будь-які операції з обслуговування або ремонту, які передбачають зняття покриття, що забезпечує захист від впливу мікрохвильової енергії, мають виконуватися кваліфікованим фахівцем, в іншому разі це може бути небезпечно.

15. Ця мікрохвильова піч відповідає стандарту EN 55011/CISPR 11, згідно з яким вона належить до класу В групи 2. Обладнання групи 2: група 2 містить усе радіочастотне обладнання з діапазоном частот IS, в якому радіочастотна енергія в діапазоні частот від 9 кГц до 400 ГГц навмисно генерується та використовується або використовується лише локально у вигляді електромагнітного випромінювання, індуктивного та/або ємного з'єднання, для обробки матеріалу, для цілей огляду/аналізу або для передачі електромагнітної енергії. Обладнання класу В — це обладнання, придатне для використання в житлових місцях та в установках, безпосередньо підключених до мережі електропостачання низької напруги, яка живить будівлі, що використовуються для побутових цілей.
16. Цей пристрій не призначений для використання особами (в тому числі дітьми) з обмеженими фізичними, сенсорними або розумовими здібностями, а також особами без необхідного досвіду та знань, якщо вони не перебувають під наглядом або не отримали інструкції щодо використання пристрою з боку особи, яка відповідає за їхню безпеку.
17. Не залишайте дітей без нагляду, а також переконайтеся, що вони не граються з приладом.
18. Мікрохвильова піч використовується лише в автономному режимі.
19. **УВАГА!** Не встановлюйте піч над варильною поверхнею або іншим теплогенеруючим приладом. Під час такого встановлення прилад може бути пошкоджений і гарантія не діятиме.
20. Мікрохвильову піч не слід розміщувати в шафі.
21. **УВАГА:** прилад та його доступні частини можуть нагріватися під час роботи.
22. **УВАГА!** Доступні частини можуть нагріватися під час використання. Малих дітей слід тримати осторонь.
23. Під час використання прилад стає гарячим. Слід бути обережним та не торкатися нагрівальних елементів всередині печі, для приготування вареної їжі та печі.
24. Температура поверхонь у зоні досяжності, може бути високою, коли прилад працює.
25. Прилад повинен бути розташований біля стіни.
26. Прилад не повинен використовуватися дітьми або особами з обмеженими фізичними, сенсорними або розумовими здібностями, або з відсутністю досвіду та знань, якщо вони не знаходяться під наглядом або не отримали інструкцій.
27. **УВАГА!** Якщо дверцята або ущільнення дверцят пошкоджені, піч не можна вмикати, доки вона не буде відремонтована компетентним фахівцем.
28. Ці прилади не призначені для роботи з використанням зовнішнього таймера або окремої системи дистанційного керування.

29. Мікрохвильова піч призначена лише для побутового використання, а не для комерційного.
30. Ніколи не знімайте прокладку для збереження відстані в задній частині або збоку, оскільки вона забезпечує мінімальну відстань від стіни для циркуляції повітря.
31. Будь ласка, закріпіть поворотний стіл перед переміщенням приладу, щоб уникнути пошкоджень.
32. **УВАГА!** Ремонт або обслуговування приладу повинен здійснювати тільки фахівець, оскільки це потребує зняття кришки, яка забезпечує захист від мікрохвильового випромінювання. Це стосується також заміни шнура живлення або освітлення. У таких випадках відправте прилад до нашого сервісного центру.
33. Мікрохвильова піч призначена лише для розморожування, приготування та пропарювання їжі.
34. Використовуйте рукавички, якщо ви виймаєте будь-які нагріті продукти харчування.
35. Застереження! Під час відкривання кришки чи розгортання фольги вийде пара.
36. Даний пристрій може використовуватися дітьми віком від 8 років та особами з обмеженими фізичними, сенсорними або розумовими здібностями, а також особами без необхідного досвіду та знань, якщо вони перебувають під наглядом або отримали інструкції щодо безпечного використання пристрою і розуміють можливу небезпеку. Не дозволяйте дітям гратися з пристроєм. Очищення та технічне обслуговування не має здійснюватися дітьми віком до 8 років та без нагляду.
37. У разі виділення диму, вимкніть або від'єднайте прилад від джерела живлення і тримайте дверцята зачиненими, щоб заглушити будь-яке полум'я.

## ПОСІБНИК ІЗ ВСТАНОВЛЕННЯ

1. Переконайтеся, що всі пакувальні матеріали видалені зсередини приладу.
2. **УВАГА!** Перевірте піч наявність будь-яких пошкоджень, таких як неправильно вирівняних або зігнутих дверцят, пошкодженого ущільнення дверцят та поверхонь ущільнення, зламаних або ослаблених петель дверцят, заціпок та вм'ятин усередині порожнини або на дверцятах. У разі будь-яких пошкоджень не використовуйте піч та зверніться до кваліфікованого персоналу із сервісного обслуговування.
3. Цю мікрохвильову піч потрібно розмістити на плоскій, стабільній поверхні, щоб утримувати її вагу та найважчу їжу, яка, ймовірно, буде приготована в печі.
4. Не встановлюйте піч там, де утворюється тепло або висока вологість, або поблизу горючих матеріалів.

5. Для правильної роботи піч повинна мати достатній потік повітря. Залиште 20 см простору над верхньою поверхнею печі, 10 см позаду й 5 см з обох боків. Не закривайте та не блокуйте будь-які отвори на приладі. Не знімайте ніжки.
6. Не використовуйте піч без скляного лотка, роликової опори та вала в належних положеннях.
7. Переконайтеся, що шнур живлення не пошкоджений і не проходить під приладом або над будь-якою гарячою або гострою поверхнею.
8. Розетка повинна бути легкодоступною, щоб прилад можна було легко від'єднати в надзвичайній ситуації.
9. Не використовуйте піч на вулиці.

## ІНСТРУКЦІ ЩОДО ЗАЗЕМЛЕННЯ

Цей прилад повинен бути заземлений. Ця піч обладнана шнуром із заземлюючим дротом та заземлюючою вилкою. Вона повинна бути підключена до настінної розетки, яка правильно встановлена та заземлена. У разі короткого замикання заземлення зменшує ризик ураження електричним струмом, забезпечуючи дріт для відведення електричного струму. Рекомендується забезпечити окремий контур, що обслуговує лише мікрохвильову піч. Використання високої напруги є небезпечним і може призвести до пожежі або іншої аварії, що призведе до пошкодження печі. **УВАГА!** Неправильне використання вилки заземлення може створити ризик ураження електричним струмом. Примітка:

1. Якщо у вас виникають запитання щодо інструкцій із заземлення або електрики, зверніться до кваліфікованого електрика або фахівця із сервісного обслуговування.
2. Ні виробник, ні дилер не несуть жодної відповідальності за пошкодження печі або травми, спричинені недотриманням процедур електричного підключення.

Дроти в цій кабельній мережі мають кольорове позначення відповідно до такого коду:

**Зелений і жовтий = ЗАЗЕМЛЕННЯ**

**Синій = НУЛЬ**

**Коричневий = ФАЗА**

# РАДІОПЕРЕШКОДИ

Робота мікрохвильової печі може спричинити перешкоди для радіо, телевізора або подібного обладнання. У разі виникнення перешкод вони можуть бути зменшені або усунені шляхом вжиття наступних заходів:

1. Очистіть дверцята та поверхню ущільнення печі.
2. Переорієнтуйте приймальну антену радіо або телебачення.
3. Перемістіть мікрохвильову піч відносно приймача.
4. Перемістіть мікрохвильову піч подалі від приймача.
5. Підключіть мікрохвильову піч до іншої розетки так, щоб вона та приймач були на різних гілках.

# ПЕРШ НІЖ ВИКЛИКАТИ СЛУЖБУ

Перш ніж подати запит на обслуговування, перевірте кожен пункт нижче:

- Перевірте, чи піч підключена надійно. Якщо ні, витягніть вилку з розетки, зачекайте 10 секунд та знову надійно підключіть її.
- Перевірте, чи не перегорів запобіжник або чи не вимкнуто головний вимикач. Якщо вони працюють правильно, перевірте розетку за допомогою іншого приладу.
- Перевірте, чи правильно запрограмована панель управління та встановлено таймер.
- Перевірте, щоб дверцята були надійно зачинені, увімкнувши систему блокування дверцят. Якщо дверцята не закриті правильно, мікрохвильова енергія не буде спрямована всередину.

**ЯКЩО ЖОДЕН ІЗ НАВЕДЕНИХ ВИЩЕ ПУНКТІВ НЕ ВИПРАВЛЯЄ СИТУАЦІЮ, ЗВЕРНІТЬСЯ ДО КВАЛІФІКОВАНОГО ТЕХНІКА. НЕ НАМАГАЙТЕСЯ НАЛАШТУВАТИ АБО РЕМОНТУВАТИ ПІЧ САМОСТІЙНО.**

# ТЕХНІКИ ПРИГОТУВАННЯ

1. Акуратно розкладіть їжу. Покладіть найтовщі ділянки із зовнішнього боку посудини.
2. Спостерігайте за часом приготування. Готуйте протягом найкоротшого зазначеного часу і додайте більше за потреби. Сильно перетримана їжа може диміти або зайнятися.
3. Накрийте продукти під час приготування. Кришка запобігає розбризкуванню і допомагає продуктам готуватися рівномірно.

4. Переверніть їжу один раз під час приготування в мікрохвильовій печі, щоб пришвидшити приготування таких продуктів, як курка та гамбургери. Великі страви, такі як печеня, слід перевернути хоча б один раз.
5. Змініть розташування їжі, наприклад, фрикадельок, щойно мине половина часу приготування, як зверху донизу, так і з центру страви назовні.

## ПОСІБНИК З КУХОННОГО ПОСУДУ

1. Мікрохвильове випромінювання не може проникати крізь метал. Використовуйте тільки посуд, який підходить для використання в мікрохвильових печах. Не дозволяється використовувати металеві контейнери для їжі та напоїв під час приготування в мікрохвильовій печі. Ця вимога не стосується випадків, коли виробник зазначає розмір і форму металевих контейнерів, які підходять для використання в мікрохвильовій печі.
2. Мікрохвильове випромінювання не може проникати крізь метал, тому не слід використовувати металевий посуд або посуд із металевим обрамленням.
3. Не використовуйте перероблені паперові вироби під час приготування в мікрохвильовій печі, оскільки вони можуть містити дрібні металеві фрагменти, які можуть спричинити іскри та/або пожежу.
4. Рекомендується використовувати круглий/овальний посуд, а не квадратний/прямокутний, оскільки їжа в кутах зазвичай перегрівається.
5. Можна використовувати вузькі смужки алюмінієвої фольги для запобігання перегріванню відкритих ділянок. Але будьте обережні, не використовуйте занадто багато фольги й зберігайте відстань 2,54 см між фольгою та порожниною.  
Нижченаведений список є загальними рекомендаціями, які допоможуть вам вибрати правильний посуд.

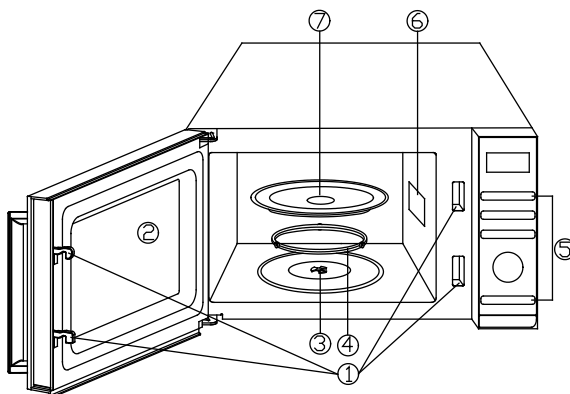
Посуд	Приготування їжі в
Термостійке скло	Так
Не термостійке скло	Ні
Термостійка кераміка	Так
Пластиковий посуд, безпечний для	Так
Кухонний папір	Так
Металевий лоток	Ні
Металева стійка	Ні
Алюмінієва фольга та контейнери з фольги	Ні

# ТЕХНІЧНІ ХАРАКТЕРИСТИКИ

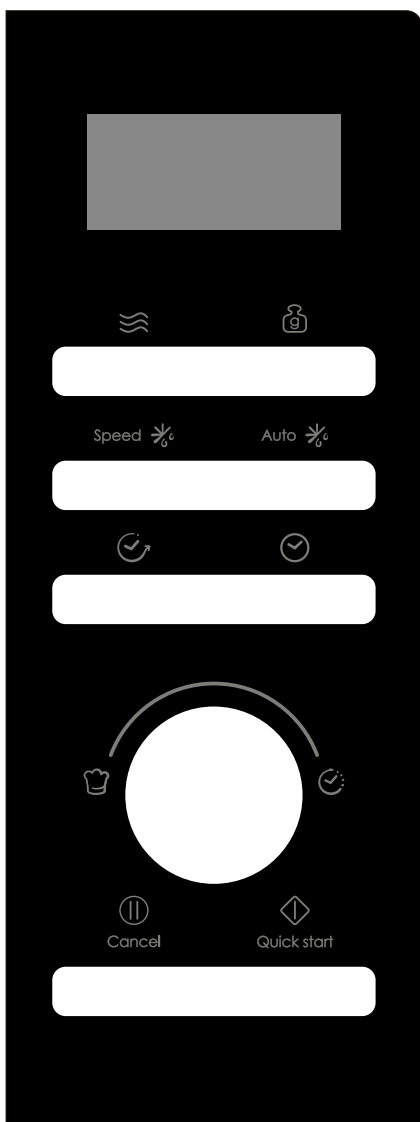
Споживана потужність:	230 В/50 Гц, 1400 Вт (мікрохвильова піч)
Результат	900 Вт
Робоча частота:	2450 МГц
Зовнішні розміри	281мм (В)×483мм (Ш)×389мм (Г)
Розміри порожнини печі:	220 мм(В)×340 мм (Ш)×320 мм (Г)
Об'єм печі:	Компактні 23 літри
Вага нетто:	Приблизно 13,1 кг

## ДІАГРАМА ПРОДУКТУ

1. Система блокування дверцят
2. Віконце печі
3. Вал
4. Роликове кільце
5. Панель управління
6. Посібник по хвилях  
(Будь ласка, не знімайте слюдяну пластину, що закриває хвилевод)
7. Скло лоток



# ПАНЕЛЬ УПРАВЛІННЯ



## ● ДИСПЛЕЙ

Відображаються час приготування, потужність, індикатори та час годинника.


## ● ПОТУЖНІСТЬ

Натисніть, щоб встановити рівень потужності мікрохвильового приготування.

## ● РЕГУЛЮВАННЯ ВАГИ

Натисніть, щоб встановити вагу їжі або порції.

## ● ШВИДКІСТЬ РОЗМОРОЖУВАННЯ

Speed 

Натисніть, щоб розморозити їжу залежно від часу.

## ● АВТОМАТИЧНЕ РОЗМОРОЖУВАННЯ Auto

Натисніть, щоб розморозити їжу залежно від ваги.

## ● ПОПЕРЕДНЄ НАЛАШТУВАННЯ

Використовуйте, щоб налаштувати духовку для запуску пізніше.

## ● ГОДИННИК

Натисніть, щоб встановити час годинника.

## ● МЕНЮ/ЧАС (набір)

Поверніть регулятор, щоб вибрати меню автоматичного приготування їжі. Поверніть регулятор, щоб встановити час.

## ● ПРИЗУПИНИТИ/СКАСУВАТИ Cancel

Натисніть один раз, щоб тимчасово припинити приготування, або двічі, щоб повністю скасувати приготування.

## ● ПОЧАТОК/ШВИДКИЙ ПОЧАТОК Quick start

Натисніть, щоб розпочати програми приготування та розморожування. Просто натисніть її кілька разів, щоб встановити час приготування, і негайно готуйте на повній потужності.



# ІНСТРУКЦІЯ З ЕКСПЛУАТАЦІЇ

- Коли духовка вперше підключена, пролунає звуковий сигнал, а на дисплеї з'явиться "🕒" і "1:01".
- Якщо в процесі налаштування відбудеться перерва на приблизно 25 секунд, піч повернеться в режим очікування.
- Під час приготування, якщо натиснути кнопку PAUSE/CANCEL один раз, програму буде призупинено, а потім натисніть кнопку START/QUICK START, щоб відновити. Але якщо натиснути кнопку PAUSE/CANCEL двічі, програму буде скасовано.
- Після закінчення приготування на дисплеї з'явиться повідомлення End (Кінець) і звуковий сигнал лунатиме кожні дві хвилини, поки користувач не натисне кнопку PAUSE/CANCEL (ПАУЗА/СКАСУВАТИ) або не відкриє дверцята.
- У процесі роботи натисніть дійсну кнопку, один раз лунатиме звуковий сигнал, але якщо натиснути недійсну кнопку, двічі лунатиме звуковий сигнал.

## НАЛАШТУВАННЯ ГОДИННИКА

---

Це 12- або 24-годинний годинник. Ви можете вибрати 12- або 24-годинний час годинника, натиснувши кнопку ГОДИННИКА в режимі очікування.

1. У режимі очікування натисніть кнопку ГОДИННИКА кілька разів, щоб вибрати 12- або 24-годинний годинник.
2. Поверніть МЕНЮ/шкалу ЧАСУ, щоб встановити цифру години.
3. Натисніть кнопку ГОДИННИКА один раз.
4. Поверніть МЕНЮ/шкалу ЧАСУ, щоб встановити хвилинну цифру.
5. Натисніть кнопку ГОДИННИКА, щоб підтвердити.

**П Р И М І Т К А** Під час приготування можна перевірити поточний час годинника, натиснувши кнопку ГОДИННИКА.

## ЕКСПРЕС-ПРИГОТУВАННЯ ЇЖИ

---

Використовуйте цю функцію, щоб зручно запрограмувати духовку на мікрохвильову їжу на 100% потужності. У режимі очікування натисніть кнопку START/QUICK START (Пуск/Швидкий старт) кілька разів, щоб встановити час приготування (кожне натискання збільшує на 30 секунд і до 10 хвилин), духовка почне приготування одразу на повній потужності. Під час приготування ви можете додати час приготування, натиснувши кнопку ЗАПУСК/ШВИДКИЙ ЗАПУСК.

## ПРИГОТУВАННЯ В МІКРОХВИЛЬОВІЙ ПЕЧІ

---

1. У режимі очікування натисніть кнопку ЖИВЛЕННЯ кілька разів, щоб вибрати рівень потужності.
2. Поверніть МЕНЮ/регулятор ЧАСУ, щоб встановити час приготування. Найдовший час — 95 хвилин.
3. Натисніть кнопку ЗАПУСК/ШВИДКИЙ ЗАПУСК для підтвердження.

**Виберіть рівень потужності, натиснувши кнопку ЖИВЛЕННЯ.**

Натисніть кнопку ЖИВЛЕННЯ	Потужність (дисплей)	Натисніть кнопку ЖИВЛЕННЯ	Потужність (дисплей)
Один раз	100% (100)	7 разів	40% (40)
Двічі	90% (90)	8 разів	30% (30)
3 разів	80% (80)	9 разів	20% (20)
4 разів	70% (70)	10 разів	10% (10)
5 разів	60% (60)	11 разів	00% (00)
6 рази	50% (50)		

**ПРИМІТКА:** Під час приготування можна перевірити поточний рівень потужності приготування, натиснувши кнопку POWER (ЖИВЛЕННЯ).

## АВТОМАТИЧНЕ РОЗМОРОЖУВАННЯ

---

Час розморожування та рівень потужності автоматично встановлюються після програмування ваги їжі. Маса замороженої їжі коливається від 100 г до 1800 г.

1. У режимі очікування натисніть кнопку АВТОМАТИЧНОГО РОЗМОРОЖУВАННЯ один раз.
2. Натисніть РЕГУЛЯТОР ВАГИ кілька разів, щоб вибрати вагу їжі.
3. Натисніть кнопку ЗАПУСК/ШВИДКИЙ ЗАПУСК для підтвердження.

**ПРИМІТКА:** Під час розморожування система призупинить роботу та подасть звуковий сигнал, щоб нагадати користувачеві про необхідність перевернути їжу, після чого натисніть кнопку START/QUICK START (ПУСК/ШВИДКИЙ СТАРТ), щоб відновити розморожування.

## ШВИДКЕ РОЗМОРОЖУВАННЯ

---

1. У режимі очікування натисніть кнопку ШВИДКЕ РОЗМОРОЖУВАННЯ один раз.
2. Поверніть МЕНЮ/регулятор ЧАСУ, щоб встановити час розморожування. Найдовший час — 95 хвилин.
3. Натисніть кнопку ЗАПУСК/ШВИДКИЙ ЗАПУСК для підтвердження.

**ПРИМІТКА:** Під час розморожування система призупинить роботу та подасть звуковий сигнал, щоб нагадати користувачеві про необхідність перевернути їжу, після чого натисніть кнопку START/QUICK START (ПУСК/ШВИДКИЙ СТАРТ), щоб відновити розморожування.

## БАГАТОСТАДІЙНЕ ПРИГОТУВАННЯ

---

Вашу духовку можна запрограмувати на 2 автоматичні послідовності приготування їжі. Припустимо, ви хочете встановити наступну програму приготування:

Приготування в мікрохвильовій печі



Приготування в мікрохвильовій печі (з нижчим рівнем потужності)

1. Уведіть першу програму приготування в мікрохвильовій печі. Не натискайте кнопку START/QUICK START.
2. Уведіть другу програму приготування в мікрохвильовій печі.
3. Натисніть кнопку ЗАПУСК/ШВИДКИЙ ЗАПУСК для підтвердження.

**ПРИМІТКА:** Меню швидкого приготування їжі, автоматичного розморожування, швидкісного розморожування та автоматичного приготування їжі не можна встановити в багатоетапному приготуванні.

## АВТОМАТИЧНЕ ОЧИЩЕННЯ (Автоматичне очищення)

---

Поставте миску з 300 г води в духовку і зачиніть дверцята.

1. У режимі очікування один раз поверніть ручку MENU/TIME проти годинникової стрілки, а потім поверніть ручку до тих пір, поки на дисплеї не з'явиться повідомлення "A-14" та "AUTO".
2. Натисніть кнопку РЕГУЛЮВАННЯ ВАГИ один раз.
3. Натисніть кнопку START/QUICK START (ПУСК/ШВИДКИЙ СТАРТ), щоб почати.

**ПРИМІТКА:** Час прибирання становить 10 хвилин

## ПОПЕРЕДНІЙ НАБІР

---

Функція налаштування дозволяє запустити духовку пізніше.

1. Введіть програму приготування (крім швидкого приготування, швидкісного розморожування та автоматичного розморожування).
2. Натисніть кнопку PRESET один раз.
3. Поверніть МЕНЮ/шкалу ЧАСУ, щоб встановити цифру години.
4. Натисніть кнопку PRESET один раз.
5. Поверніть МЕНЮ/шкалу ЧАСУ, щоб встановити хвилинну цифру.
6. Натисніть кнопку ЗАПУСК/ШВИДКИЙ ЗАПУСК для підтвердження.

**ПРИМІТКА:** Коли духовка залишається в попередньо встановленому стані, ви можете перевірити попередньо встановлений час, натиснувши кнопку PRESET один раз, якщо натиснути кнопку PAUSE/CANCEL (ПАУЗА/СКАСУВАТИ), коли на дисплеї відображається час, функцію можна скасувати.

## ФУНКЦІЯ БЛОКУВАННЯ ВІД ДІТЕЙ

---

Блокування від дітей запобігає використанню приладу дітьми без нагляду.

Щоб увійти в режим блокування доступу дітей, виконайте наведені У режимі очікування, якщо протягом однієї хвилини не буде виконано жодної операції, духовка автоматично перейде в режим блокування дитини, а індикатор блокування ввімкнеться. У режимі блокування всі кнопки не активні.

Щоб скасувати: У режимі дитячого замка відкрийте або закрийте дверцята духовки, щоб скасувати програму, а індикатор блокування зникне.

## **АВТОМАТИЧНЕ ПРИГОТУВАННЯ**

Для наступного режиму приготування їжі або приготування їжі не обов'язково запрограмувати час та потужність приготування. Достатньо вказати тип їжі, яку ви хочете приготувати, а також вагу або порції цієї їжі.

1. У режимі очікування поверніть ручку MENU/TIME проти годинникової стрілки, щоб вибрати код їжі.
2. Натисніть кнопку РЕГУЛЮВАННЯ ВАГИ кілька разів, щоб встановити вагу їжі або порцій.
3. Натисніть кнопку ЗАПУСК/ШВИДКИЙ ЗАПУСК для підтвердження.

### **Меню автоматичного приготування:**

<b>Код</b>	<b>Їжа</b>	<b>Вага/Кількість</b>	<b>Примітка</b>
A-01	Молоко/кава/чай (200 мл/чашка, 1-3 чашки)	<b>1 чашка</b>	На дисплеї відобразатиметься кількість порцій замість ваги їжі
		<b>2 чашки</b>	
		<b>3 чашки</b>	
A-02	Піца	150 г	
		300 г	
		450 г	
A-03	Картопля	100 г	
		200 г	
		300 г	
A-04	Автоматичний підігрів	200 г	
		300 г	
		400 г	
		500 г	
		600 г	
		700 г	
A-05	Риба	200 г	
		300 г	
		400 г	
		500 г	
		600 г	

Код	Їжа	Вага/Кількість	Примітка
A-06	Попкорн	100 г	
A-07	Суп	1	200 г на порцію
		2	
		3	
A-08	Каша	50 г	
		100 г	
		150 г	
A-09	Свіжий овоч	200 г	
		300 г	
		400 г	
		500 г	
		600 г	
A-10	Заморожені овочі	200 г	
		300 г	
		400 г	
		500 г	
		600 г	
A-11	Рис	150 г	
		300 г	
		450 г	
		600 г	
A-12	Спагеті/макарони	100 г	
		200 г	
		300 г	
A-13	Заморожена вечеря/їжа	250 г	
		500 г	
A-14	Авточистка/(продуктивність буде краплею води, повною внутрішньої порожнини)		

Результат автоматичного приготування залежить від таких факторів, як форма та розмір їжі, ваші особисті уподобання щодо готовності певних продуктів і навіть того, наскільки добре ви помістили їжу в піч. Якщо ви вважаєте результат у будь-якому разі не зовсім задовільним, трохи відрегулюйте час приготування.

# ОЧИЩЕННЯ ТА ДОГЛЯД

1. Під час очищення вимкніть піч та від'єднайте кабель живлення від розетки.
2. Тримайте внутрішню частину печі чистою. Коли бризки від їжі або розлиті рідини прилипають до стінок печі, протріть їх вологою тканиною. Якщо піч сильно забруднена, можна використовувати м'які мийні засоби. Уникайте використання розпилювача або інших жорстких очищувачів. Вони можуть залишати плями та смуги на дверцятах або приглушити колір їх поверхні.
3. Зовнішню частину печі слід очищувати вологою тканиною. Щоб запобігти пошкодженню робочих частин всередині печі, не допускайте потрапляння води в вентиляційні отвори.
4. Часто протирайте дверцята та вікно з обох боків, а також ущільнення дверцят та прилеглі частини вологою тканиною, щоб усунути будь-які розливи або бризки. Не використовуйте абразивні очищувачі.
5. Не слід використовувати пароочисник.
6. Запобігайте потраплянню вологи на панель управління. Очищування здійснюйте м'якою вологою тканиною. Під час очищення панелі управління залиште дверцята печі відкритими, щоб запобігти випадковому її ввімкненню.
7. Якщо пара накопичується всередині або навколо зовнішніх дверцят печі, протріть їх м'якою тканиною. Це може виникнути, коли мікрохвильова піч працює в умовах високої вологості. І це нормально.
8. Іноді потрібно виймати скляний піддон для очищення. Мийте піддон у теплій мильній воді або в посудомийній машині.
9. Роликове кільце та основу печі слід регулярно очищати, щоб уникнути надмірного шуму. Просто протріть нижню поверхню печі м'яким мийним засобом. Роликове кільце можна промити в м'якій мильній воді або в посудомийній машині. Після виймання роликового кільця, обов'язково встановіть його назад у правильне положення.
10. Усуньте запахи з печі, наливши чашку води та додавши сік та шкірку лимону в посуд, придатний приготування в мікрохвильовій печі. Увімкніть мікрохвильову піч на 5 хвилин. Ретельно протріть та висушіть м'якою тканиною.
11. Якщо лампочка згорить, зверніться в службу підтримки клієнтів, щоб замінити її.
12. Піч слід регулярно очищати, а будь-які залишки харчових продуктів слід видаляти. Непідтримання чистого стану печі може призвести до погіршення стану поверхні, що може негативно вплинути на термін служби приладу і, можливо, призвести до небезпечної ситуації.
13. Будь ласка, не викидайте цей прилад у контейнер для побутового сміття; його слід утилізувати в спеціалізованому центрі утилізації, створеному міською владою.



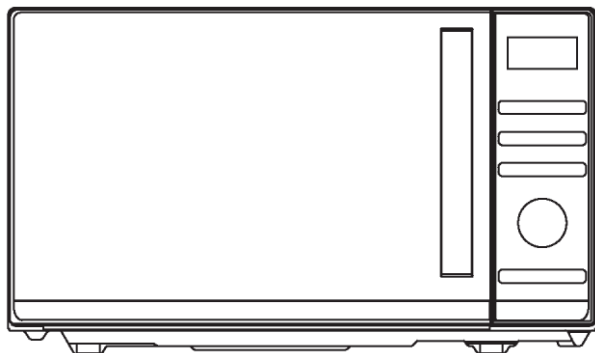
Цей прилад маркується відповідно до Європейської Директиви 2012/19/ЄС щодо Регламенту відходів електричного та електронного обладнання 2013 року щодо електричних та електронних приладів (WEEE). ВЕЕО містять як забруднюючі речовини (які можуть негативно впливати на навколишнє середовище), так і базові елементи (які можуть бути використані повторно).

Важливо, щоб ВЕЕО проходили спеціальну обробку для належного усунення та переробки забруднюючих речовин, а також для відновлення всіх матеріалів. Фізичні особи можуть відігравати важливу роль у забезпеченні того, щоб ВЕЕО не стали проблемою для навколишнього середовища; необхідно дотримуватися певних основних правил:

- ВЕЕО не слід поміщати разом з побутовими відходами.
- ВЕЕО слід доправити в спеціалізовані пункти збору, які управляються міською владою або зареєстрованою компанією.

У багатьох країнах для великих ВЕЕО здійснюється забір із дому. Коли ви купуєте новий прилад, старий може бути повернений у точку роздрібної торгівлі, яка повинна безкоштовно забрати його за принципом один до одного, за умови якщо це аналогічне обладнання, яке має ті ж функції, що й новий прилад.

# Navodila za uporabo mikrovalovne pečice



Model: CMWA23TNDB

Pred namestitvijo in uporabo pečice natančno preberite ta navodila.



# VSEBINA

<b>VSEBINA</b> .....	<b>1</b>
<b>PREVIDNOSTNI UKREPI ZA PREPREČEVANJE MOREBITNE IZPOSTAVLJENOSTI PREKOMERNI MIKROVALOVNI ENERGIJI</b> .....	<b>2</b>
<b>POMEMBNA VARNOSTNA NAVODILA</b> .....	<b>2</b>
<b>VODNIK ZA NAMESTITEV</b> .....	<b>5</b>
<b>NAVODILA ZA OZEMLJITEV</b> .....	<b>6</b>
<b>RADIJSKE MOTNJE</b> .....	<b>6</b>
<b>PRED KLICEM ZA SERVIS</b> .....	<b>6</b>
<b>TEHNIKE KUHANJA</b> .....	<b>7</b>
<b>VODNIK ZA KUHINJSKE PRIPOMOČKE</b> .....	<b>7</b>
<b>SPECIFIKACIJE</b> .....	<b>8</b>
<b>PRIKAZ IZDELKA</b> .....	<b>8</b>
<b>UPRAVLJANA PLOŠČA</b> .....	<b>9</b>
<b>NAVODILA ZA UPORABO</b> .....	<b>10</b>
NASTAVITEV URE.....	10
EKSPRESNO KUHANJE .....	10
PRIPRAVA HRANE V MIKROVALOVNI PEČICI .....	11
SAMODEJNO ODTAJANJE .....	11
HITRO ODTAJANJE .....	11
VEČSTOPENJSKO KUHANJE .....	12
SAMODEJNO ČIŠČENJE (PRIPADA MENIJU SAMODEJNO KUHANJE) .....	12
PREDNASTAVITEV .....	12
VARNOSTNI ZAKLEP .....	13
SAMODEJNO KUHANJE.....	13
<b>ČIŠČENJE IN NEGA</b> .....	<b>15</b>

# PREVIDNOSTNI UKREPI ZA PREPREČEVANJE MOREBITNE IZPOSTAVLJENOSTI PREKOMERNI MIKROVALOVNI ENERGIJI

1. Pečice ne poskušajte upravljati pri odprtih vratih, saj lahko delovanje pri odprtih vratih povzroči škodljivo izpostavljenost mikrovalovni energiji. Pomembno je, da varnostni zapor ne odklopite ali spreminjate.
2. Med sprednjo stran pečice in vrata ne postavljajte predmetov in ne dovolite, da bi se na tesnilnih površinah kopičili ostanki zemlje ali čistil.
3. Pečice ne uporabljajte, če je poškodovana. Zelo pomembno je, da se vrata pečice pravilno zapirajo in da ni poškodb na
  - a) vratih (vključno s krivinami),
  - b) tečajih in zapahi (zlomljeni ali ohlapni),
  - c) tesnilih vrat in tesnilnih površinah.
4. Pečice ne sme nastavljati ali popravljati nihče razen usposobljenega servisnega osebja.

## POMEMBNA VARNOSTNA NAVODILA

Pri uporabi električne naprave je treba upoštevati osnovne varnostne ukrepe, vključno z naslednjim:

**OPOZORILO!** Za zmanjšanje tveganja opeklin, električnega udara, požara, poškodb oseb ali izpostavljenosti prekomerni mikrovalovni energiji:

1. Napravo uporabljajte samo za predvideno uporabo, kot je opisano v tem priročniku. V tej napravi ne uporabljajte jedkih kemikalij ali hlapov. Ta vrsta pečice je posebej zasnovana za segrevanje, kuhanje ali sušenje hrane. Ni namenjena industrijski ali laboratorijski uporabi.
2. Pečice ne uporabljajte, ko je prazna.
3. Naprave ne uporabljajte, če ima poškodovan kabel ali vtič, če ne deluje pravilno ali če je poškodovana ali je padla na tla. Če je priključni kabel poškodovan, morate preprečiti morebitna tveganja, zato ga sme nadomestiti samo proizvajalec, njegov servisni agent ali drug kvalificiran serviser.

4. **OPOZORILO!** Otroci lahko pečico uporabljajo brez nadzora samo, če so jim bila podana ustrezna navodila in lahko pečico uporabljajo na varen način ter razumejo nevarnosti nepravilne uporabe.
5. Za zmanjšanje tveganja požara v notranjem prostoru pečice:
  - Pri segrevanju hrane v plastični ali papirnati posodi bodite pozorni zaradi možnosti vžiga.
  - Preden papirnato ali plastično vrečko postavite v pečico, z nje odstranite vezice.
  - Če opazite dim, izklopite ali odklopite napravo, vrata pa naj ostanejo zaprta, da se ogenj zaduši.
  - Notranjega prostora ne uporabljajte za shranjevanje. Ne puščajte papirnatih izdelkov, kuhinjskih pripomočkov ali hrane v notranjem prostoru, ko pečice ne uporabljate.
  - Mikrovalovna pečica je namenjena segrevanju hrane in pijač. Sušenje hrane ali oblačil in segrevanje grelnih blazinic, copat, gobic, vlažnih krp in podobno lahko povzroči nevarnost poškodb, vžiga ali požara.
6. **OPOZORILO!** Tekočih ali drugih živil ne smete segrevati v zaprtih posodah, ker lahko eksplodirajo.
7. Mikrovalovno segrevanje pijače lahko povzroči zapoznelo eruptivno vrenje, zato morate biti pri ravnanju s posodo previdni.
8. Pečice ne uporabljajte za cvrtje hrane. Vroče olje lahko poškoduje dele in pribor pečice ter celo povzroči opekline kože.
9. Jajc v lupini in celih trdo kuhanih jajc se v mikrovalovnih pečicah ne sme segrevati, saj lahko eksplodirajo tudi po koncu mikrovalovnega segrevanja.
10. Pred kuhanjem živila s trdim olupkom, kot so krompir, cele buče, jabolka in kostanje, preluknjajte.
11. Vsebinske steklenice za hranjenje in kozarcev hrane za dojenčke je treba premešati ali pretresti in pred serviranjem preveriti temperaturo, da preprečite opekline.
12. Pribor za kuhanje lahko zaradi visokih temperatur, ki se prenese s segrete hrane, postane vroč. Za rokovanje s priborom boste morda potrebovali kuhinjska držala.
13. Preverite, ali je pribor primeren za uporabo v mikrovalovni pečici.
14. **OPOZORILO!** Izvajanje kakršnih koli servisov ali popravil, ki vključujejo odstranjevanje kakršnega koli pokrova, ki zagotavlja zaščito pred izpostavljenostjo mikrovalovni energiji, je nevarno za vse osebe, ki niso usposobljene za to delo.
15. Ta mikrovalovna pečica je skladna s standardom EN 55011/CISPR 11, v tem standardu spada v razvrstitev skupine 2 razreda B. Oprema skupine 2: skupina 2 vsebuje vso opremo ISM RF, v kateri se namerno proizvaja in uporablja radiofrekvenčna energija v frekvenčnem območju od 9 kHz do 400 GHz, ali se uporablja samo lokalno, v obliki elektromagnetnega sevanja, induktivne in/ali kapacitivne priklope, za obdelavo materiala, za namene pregleda/analize ali za prenos elektromagnetne energije. Oprema

razreda B je oprema, primerna za uporabo na lokacijah v stanovanjskih okoljih in ustanovah, neposredno povezanih z nizkonapetostnim napajalnim omrežjem, ki oskrbuje stavbe za gospodinjске namene.

16. Naprava ni namenjena uporabi s strani oseb (vključno z otroki) z zmanjšanimi fizičnimi, senzoričnimi ali mentalnimi sposobnostmi ali oseb brez izkušenj in znanja, razen če jih oseba, odgovorna za njihovo varnost, nadzira ali pouči o uporabi naprave.
17. Otroci morajo biti pod nadzorom, da preprečite, da bi se igrali z napravo.
18. Mikrovalovna pečica se uporablja samo v prostostoječem stanju.
19. **OPOZORILO!** Pečice ne nameščajte na kuhalno ploščo ali drugo napravo, ki proizvaja toploto. Takšna namestitvev bi lahko povzročila poškodbe in garancija ne bi veljala.
20. Mikrovalovne pečice ne smete namestiti v omarico.
21. **OPOZORILO!** Naprava in njeni dostopni deli se med delovanjem močno segrejejo.
22. **OPOZORILO!** Dostopni deli se lahko med uporabo segrejejo. Majhni otroci naj se zadržujejo stran od naprave.
23. Med uporabo se naprava segreje. Pazite, da se ne dotikate grelnih elementov v notranjosti pečice.
24. Temperatura dostopnih površin je lahko med delovanjem naprave visoka.
25. Napravo namestite ob steno.
26. Naprave ne smejo uporabljati otroci ali osebe z zmanjšanimi fizičnimi, senzoričnimi ali mentalnimi sposobnostmi ali osebe, ki nimajo dovolj izkušenj in znanja, razen pod nadzorom ali če so bile dobro poučene.
27. **OPOZORILO!** Če so vrata ali tesnila vrat poškodovana, pečice ne smete uporabljati, dokler je ne popravi pristojna oseba.
28. Naprava ni predvidena za delovanje z zunanjim časovnikom ali ločenim sistemom za daljinsko upravljanje.
29. Mikrovalovna pečica je namenjena samo gospodinjски uporabi in ne komercialni uporabi.
30. Nikoli ne odstranite držala za razdaljo zadaj ali ob straneh, saj zagotavlja najmanjšo razdaljo od stene, ki še omogoča kroženje zraka.
31. Pred premikanjem naprave zavarujte vrtljivi podstavek, da se izognete poškodbam.
32. **POZOR!** Napravo lahko popravi ali vzdržuje samo strokovnjak, saj je treba v tem primeru odstraniti pokrov, ki zagotavlja zaščito pred mikrovalovnim sevanjem, kar je nevarno. To velja tudi za menjavo napajalnega kabla ali osvetlitve. Napravo v teh primerih pošljite v naš servisni center.
33. Mikrovalovna pečica je namenjena samo odmrzovanju, kuhanju in parjenju hrane.
34. Pri odstranjevanju segrete hrane uporabite rokavice.
35. Pozor! Pri odpiranju pokrovov ali zavijanju folije bo uhajala para.
36. To napravo lahko uporabljajo otroci, starejši od 8 let, ter osebe z zmanjšanimi fizičnimi, senzoričnimi ali umskimi zmožnostmi ali s pomanjkanjem izkušenj in znanja, pod ustreznim nadzorom, ali če imajo navodila za varno uporabo naprave

ter če razumejo s tem povezana tveganja. Otroci naj se z aparatom ne igrajo. Otroci ne smejo izvajati čiščenja in vzdrževanja naprave, razen če so stari več kot 8 let in so pod nadzorom.

37. Če opazite dim, izklopite ali odklopite napravo, vrata pa naj ostanejo zaprta, da se ogenj zaduši.

## VODNIK ZA NAMESTITEV

1. Prepričajte se, da ste iz notranjosti odstranili vso embalažo.
2. **OPOZORILO!** Preverite, ali je pečica kakor koli poškodovana, na primer napačno poravnana ali upognjena vrata, poškodovana tesnila vrat in tesnilna površina, zlomljeni ali ohlapni tečajji vrat ter zapahi in vdolbine v notranjosti pečice ali na vratih. Če opazite poškodbe, pečice ne uporabljajte in se obrnite na usposobljeno servisno osebje.
3. To mikrovalovno pečico je treba postaviti na ravno, stabilno površino, ki lahko drži njeno težo in najtežjo hrano, ki se bo verjetno kuhala v pečici.
4. Pečice ne postavljajte na mesto, kjer nastajajo toplota, vlaga ali visoka vlažnost, ali v bližino gorljivih materialov.
5. Za pravilno delovanje mora imeti pečica zadosten pretok zraka. Nad pečico naj bo 20 cm prostora, za njo 10 cm in 5 cm na obeh straneh. Ne prekrivajte ali zamašite odprtih na napravi. Ne odstranjajte nog.
6. Pečice ne uporabljajte brez steklenega pladnja, podpore valja in gredi v ustreznih položajih.
7. Prepričajte se, da napajalni kabel ni poškodovan in ne teče pod pečico ali čez vročo ali ostro površino.
8. Vtičnica mora biti zlahka dostopna, tako da je kabel mogoče v nujnih primerih enostavno odklopiti.
9. Pečice ne uporabljajte na prostem.

# NAVODILA ZA OZEMLJITEV

Naprava mora biti ustrezno ozemljena. Ta pečica je opremljena s kablom, ki ima ozemljitveno žico z ozemljitvenim priključkom. Priključiti ga je treba v stensko vtičnico, ki je pravilno nameščena in ozemljena. V primeru kratkega električnega stika ozemljitev zmanjša tveganje električnega udara, saj zagotavlja izhodne žice za električni tok. Priporočljivo je, da se zagotovi ločeno vezje, ki je namenjeno samo pečici. Uporaba visoke napetosti je nevarna in lahko povzroči požar ali drugo nesrečo, ki povzroči poškodbe pečice.

**OPOZORILO!** Nepravilna uporaba ozemljitvenega priključka lahko povzroči električni šok.

## **Opomba:**

1. Če imate kakršna koli vprašanja o ozemljitvi ali električnih navodilih, se posvetujte z usposobljenim električarjem ali serviserjem.
2. Proizvajalec in trgovec nista odgovorna za poškodbe pečice ali telesne poškodbe, ki so posledica neupoštevanja postopkov električne priključitve.

Žice v glavnem kablu so obarvane v skladu z naslednjimi oznakami:

**Zelena in rumena = OZEMLJITEV**

**Modra = NEVTRALNO**

**Rjava = POD NAPETOSTJO**

# RADIJSKE MOTNJE

Delovanje mikrovalovne pečice lahko povzroči motnje na radiu, televiziji ali podobni opremi. Motnje je mogoče zmanjšati ali odpraviti z naslednjimi ukrepi:

1. Očistite vrata in tesnilno površino pečice.
2. Preusmerite sprejemno anteno radia ali televizije.
3. Premaknite mikrovalovno pečico glede na sprejemnik.
4. Premaknite mikrovalovno pečico stran od sprejemnika.
5. Mikrovalovno pečico priključite v drugo vtičnico, tako da sta mikrovalovna pečica in sprejemnik na različnih tokokrogih.

# PRED KLICEM ZA SERVIS

Preden zaprosite za servis, preverite vsak spodnji element:

- Preverite, ali je pečica varno priključena. Če ni, izvlecite vtič iz vtičnice, počakajte 10 sekund in ga ponovno varno priključite.
- Preverite, ali je morda pregorela varovalka ali se je sprožil glavni odklopnik. Če se zdi, da oboje deluje pravilno, preizkusite vtičnico z drugo napravo.

- Preverite, ali je upravljalna plošča pravilno programirana in je nastavljen časovnik.
- Preverite, ali so vrata varno zaprta, pri čemer vklopite sistem zaklepanja vrat. Če vrata niso pravilno zaprta, energija iz mikrovalovne pečice ne bo tekla v notranjost.

ČE NIČ OD NAŠTETEGA NE POPRAVI SITUACIJE, SE OBRNITE NA USPOSOBLJENEGA TEHNIKA. PEČICE NE POSKUŠAJTE NASTAVITI ALI POPRAVITI SAMI.

## TEHNIKE KUHANJA

1. Previdno razporedite hrano. Najdebelejše dele postavite na zunanjo stran posode.
2. Opazujte čas priprave jedi. Kuhajte najkrajši navedeni čas in po potrebi dodajte več časa. Hrana, ki je močno prekuhana, se lahko kadi ali vname.
3. Med kuhanjem živila pokrijte. Pokrovi preprečujejo škropljenje in pomagajo pri enakomernem kuhanju živil.
4. Med mikrovalovnim kuhanjem enkrat obrnite hrano, da pospešite pripravo živil, kot so piščančje meso in pleskavice. Velika živila, kot je pečenka, obrnite vsaj enkrat.
5. Prerazporedite živila, kot so mesne kroglice, na polovici kuhanja od zgoraj navzdol in od sredine posode navzven.

## VODNIK ZA KUHINJSKE PRIPOMOČKE

1. Mikrovalovna pečica ne more prodreti skozi kovino. Uporabljajte samo pribor, ki je primeren za uporabo v mikrovalovnih pečicah. Med mikrovalovnim kuhanjem niso dovoljene kovinske posode za hrano in pijačo. Ta zahteva ne velja, če proizvajalec navede velikost in obliko kovinskih posod, primernih za mikrovalovno kuhanje.
  2. Mikrovalovna pečica ne more prodreti skozi kovino, zato ne smete uporabljati kovinskih pripomočkov ali posode s kovinsko oblogo.
  3. Pri mikrovalovnem kuhanju ne uporabljajte recikliranih izdelkov iz papirja, saj lahko vsebujejo majhne kovinske delce, ki lahko povzročijo iskre in/ali požar.
  4. Priporočamo okrogle/ovalne posode namesto kvadratnih/podolgovatih, saj se hrana v vogalih lahko razkuha.
  5. Če želite preprečiti, da bi se izpostavljeni deli prekuhali, lahko uporabite ozke trakove iz aluminijaste folije. Vendar pazite, da je ne uporabite preveč in ohranjate razdaljo 1 palca (2,54 cm) med folijo in notranjostjo pečice.
- Spodnji seznam je splošni vodnik, ki vam lahko pomaga izbrati pravi pribor.

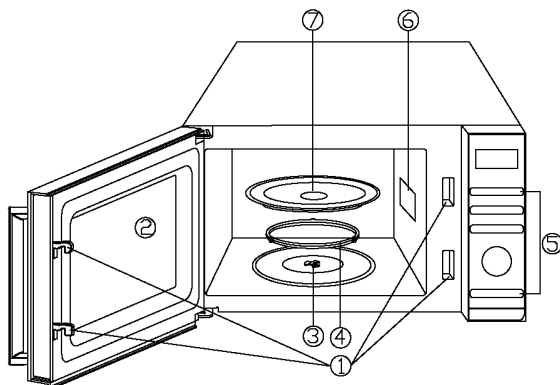
Kuhinjska posoda	Priprava hrane v mikrovalovni pečici
Toplotno odporno steklo	Da
Steklo, ki ni odporno na toploto	Ne
Toplotno odporna keramika	Da
Plastična posoda, primerna za mikrovalovno pečico	Da
Kuhinjska papirnata brisača	Da
Kovinski pladenj	Ne
Kovinsko stojalo	Ne
Posode iz aluminijaste folije	Ne

## SPECIFIKACIJE

Poraba energije	230 V/50 Hz, 1400W (mikrovalovna pečica)
Izhod	900 W
Frekvenca delovanja	2450 MHz
Zunanje dimenzije	281 mm (V) × 483 mm (Š) × 389 mm (D)
Dimenzije notranjosti pečice	220 mm (V) × 340 mm (Š) × 320 mm (D)
Zmogljivost pečice	kompaktno 23 litrov
Neto teža	približno 13,1 kg

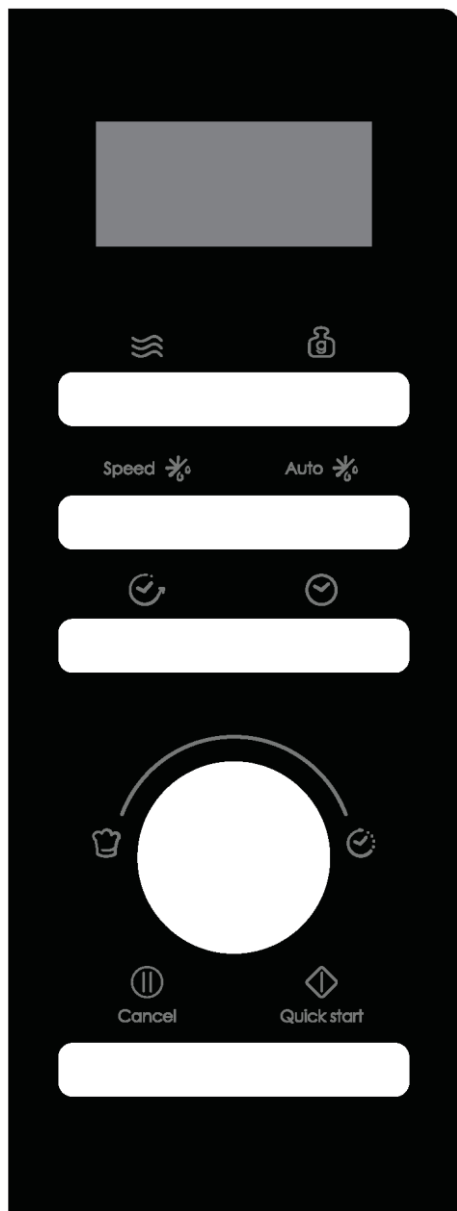
## PRIKAZ IZDELKA

1. Varnostni sistem zaklepanja vrat
2. Okno pečice
3. Gred
4. Valjčni obroč
5. Upravljalna plošča
6. Vodnik valovanja
- (Ne odstranjujte plošče sljude, ki pokriva vodnik valovanja.)
7. Stekleni pladenj





# UPRAVLJANA PLOŠČA



- **ZASLON**

Prikazani so čas kuhanja, moč, kazalniki in ura.

- **MOČ** 

Pritisnite za nastavitev stopnje moči mikrovalovne pečice.

- **NASTAVITEV TEŽE** 

Pritisnite, da nastavite težo hrane ali porcije.

- **HITROST ODTAJANJA** Speed 

Pritisnite, da hrano odtajate glede na čas.

- **SAMODEJNO ODTAJANJE** Auto 

Pritisnite, da hrano odtajate glede na težo.

- **PREDNASTAVITEV** 

Uporabite za poznejši zagon pečice.

- **URA** 

Pritisnite za nastavitev ure.

- **MENI/ČAS (stikalo)**  

Zavrtite gumb za izbiro menijev za samodejno kuhanje.

Zavrtite gumb za nastavitev časa.

- **PREMOR/PREKLIC**  Cancel


Pritisnite enkrat za začasno prekinitev kuhanja ali dvakrat za popolno prekinitev kuhanja.

- **ZAČETEK/HITER ZAČETEK**  Quick start

Pritisnite za začetek programov kuhanja in odtajanja.

Večkrat pritisnite, da nastavite čas kuhanja in takoj začnete s kuhanjem pri polni moči.

# NAVODILA ZA UPORABO

- Ko pečico prvič priključite, boste zaslišali pisk, na zaslonu pa bo prikazano "1:01" in .
- V postopku nastavitve, ki je prekinjen za približno 25 sekund, se bo pečica vrnila v stanje pripravljenosti.
- Če med kuhanjem enkrat pritisnete gumb za PREMOR/PREKLIC, bo program začasno ustavljen, nato pa pritisnite gumb ZAČETEK/HITER ZAČETEK za nadaljevanje. Če pa dvakrat pritisnete gumb za PREMOR/PREKLIC, bo program preklican.
- Po koncu kuhanja se bo na zaslonu prikazalo „End“ in vsaki dve minuti boste zaslišali pisk, dokler uporabnik ne pritisne gumba za PREMOR/PREKLIC ali odpre vrat.
- Če med delovanjem enkrat pritisnete ustrezen gumb, boste slišali en pisk, če pa pritisnete neustrezen gumb, boste zaslišali dva piska.

## NASTAVITEV URE

---

To je 12- ali 24-urna nastavitev. S pritiskom na gumb za URO v stanju pripravljenosti jo lahko nastavite na 12- ali 24-urni cikel.

1. V stanju pripravljenosti večkrat pritisnite gumb za URO, da izberete 12-urno ali 24-urno nastavitev.
2. Obrnite stikalo za MENI/ČAS, da nastavite uro.
3. Enkrat pritisnite gumb za URO.
4. Obrnite stikalo za MENI/ČAS, da nastavite minute.
5. Za potrditev pritisnite gumb za URO.

**OPOMBA:** Med kuhanjem lahko trenutni čas ure preverite s pritiskom na gumb za URO.

## EKSPRESNO KUHANJE

---

Uporabite to funkcijo, da programirate pečico na mikrovalovno pripravo s 100-odstotno močjo. V stanju pripravljenosti večkrat pritisnite gumb ZAČETEK/HITER ZAČETEK, da nastavite čas kuhanja (z vsakim pritiskom podaljšate za 30 sekund do 10 minut), in pečica bo začela samodejno delovati s polno močjo. Med kuhanjem lahko čas kuhanja podaljšate s pritiskom na gumb ZAČETEK/HITER ZAČETEK.

## **PRIPRAVA HRANE V MIKROVALOVNI PEČICI**

---

1. V stanju pripravljenosti večkrat pritisnite gumb za VKLOP, da izberete raven moči.
2. Za nastavitev časa kuhanja zavrtite stikalo za MENI/ČAS. Najdaljši čas je 95 minut.
3. Pritisnite gumb ZAČETEK/HITER ZAČETEK za potrditev.

**Pritisnite gumb za VKLOP, da izberete raven moči.**

Pritisnite gumb za VKLOP	Moč (prikaz)	Pritisnite gumb za VKLOP	Moč (prikaz)
Enkrat	100 % (100)	7-krat	40 % (40)
Dvakrat	90 % (90)	8-krat	30 % (30)
3-krat	80 % (80)	9-krat	20 % (20)
4-krat	70 % (70)	10-krat	10 % (10)
5-krat	60 % (60)	11-krat	00 % (00)
6-krat	50 % (50)		

**OPOMBA:** Med kuhanjem lahko preverite trenutno raven moči kuhanja s pritiskom na gumb za VKLOP.

## **SAMODEJNO ODTAJANJE**

---

Čas odtajanja in raven moči se samodejno nastavita, ko je programirana teža živila. Teža odtajanje hrane je od 100 g do 1800 g.

1. V stanju pripravljenosti enkrat pritisnite gumb za SAMODEJNO ODTAJANJE.
2. Večkrat pritisnite gumb za NASTAVITEV TEŽE, da izberete težo živila.
3. Pritisnite gumb ZAČETEK/HITER ZAČETEK za potrditev.

**OPOMBA:** Med odtajanjem se sistem ustavi in oglasi, da uporabnika opomni, naj hrano obrne, nato pa za nadaljevanje odtajanja pritisnite gumb ZAČETEK/HITER ZAČETEK.

## **HITRO ODTAJANJE**

---

1. V stanju pripravljenosti enkrat pritisnite gumb za HITRO ODTAJANJE.
2. Za nastavitev časa odtajanja zavrtite stikalo za MENI/ČAS. Najdaljši čas je 95 minut.
3. Pritisnite gumb ZAČETEK/HITER ZAČETEK za potrditev.

**OPOMBA:** Med odtajanjem se sistem ustavi in oglasi, da uporabnika opomni, naj hrano obrne, nato pa za nadaljevanje odtajanja pritisnite gumb ZAČETEK/HITER ZAČETEK.

## **VEČSTOPENJSKO KUHANJE**

---

Pečico lahko programirate za največ 2 zaporedji samodejnega kuhanja.

Predpostavimo, da želite nastaviti naslednji program kuhanja.

Mikrovalovno kuhanje



Mikrovalovno kuhanje (z nižjo stopnjo moči)

1. Vnesite prvi program mikrovalovnega kuhanja. Ne pritisnite gumba ZACETEK/HITER ZACETEK.
2. Vnesite drugi program mikrovalovnega kuhanja.
3. Pritisnite gumb ZACETEK/HITER ZACETEK za potrditev.

**OPOMBA:** Hitrega kuhanja, samodejnega odtajanja, hitrega odtajanja in samodejnega kuhanja ni mogoče nastaviti v večstopenjskem kuhanju.

## **SAMODEJNO ČIŠČENJE (pripada meniju SAMODEJNO KUHANJE)**

---

V pečico postavite skledo s 300 g vode in zaprite vrata.

1. V stanju pripravljenosti enkrat zavrtite stikalo za MENI/ČAS v nasprotni smeri urinega kazalca in nato vrtite stikalo, dokler se na zaslonu ne prikaže „A-14“ in „AUTO“.
2. Enkrat pritisnite gumb za NASTAVITEV TEŽE.
3. Pritisnite gumb ZACETEK/HITER ZACETEK za začetek.

**OPOMBA:** Čiščenje traja 10 minut.

## **PREDNASTAVITEV**

---

Funkcija prednastavitve omogoča naknadni zagon pečice.

1. Vnesite program kuhanja (razen ekspresnega kuhanja, hitrega odtajanja in samodejnega odtajanja).
2. Enkrat pritisnite gumb za PREDNASTAVITEV.
3. Obrnite stikalo za MENI/ČAS, da nastavite uro.
4. Enkrat pritisnite gumb za PREDNASTAVITEV.
5. Obrnite stikalo za MENI/ČAS, da nastavite minute.
6. Pritisnite gumb ZACETEK/HITER ZACETEK za potrditev.

**OPOMBA:** Če pečica ostane v prednastavljenem stanju, lahko prednastavljeni čas preverite tako, da enkrat pritisnete gumb za PREDNASTAVITEV. Če pritisnete gumb za PREMOR/PREKLIC, ko se prikaže čas, pa lahko funkcijo preključete.

## VARNOSTNI ZAKLEP

Varnostni zaklep preprečuje nenadzorovano uporabo s strani otrok.

Za vstop v varnostni zaklep: Če v stanju pripravljenosti eno minuti ni delovanja, pečica samodejno vstopi v način varnostnega zaklepa za otroke in vklopi se lučka zaklepa. V stanju zaklepa so vsi gumbi onemogočeni.

Če želite preklicati: V načinu varnostnega zaklepa odprite ali zaprite vrata pečice, da prekličete program in lučka zaklepa se bo izklopila.

## SAMODEJNO KUHANJE

Za naslednji način kuhanja ni treba programirati časa in moči. Zadostuje, da navedete vrsto hrane, ki jo želite skuhati, ter težo ali porcije te hrane.

1. V stanju pripravljenosti obrnite stikalo za MENI/ČAS v nasprotni smeri urinega kazalca, da izberete kodo hrane.
2. Večkrat pritisnite gumb za NASTAVITEV TEŽE, da nastavite težo hrane ali porcije.
3. Pritisnite gumb ZAČETEK/HITER ZAČETEK za potrditev.

### Meniji za samodejno kuhanje:

Koda	Živilo	Teža/količina	Opomba
A-01	Mleko/kava/čaj (200 ml/skodelico, 1–3 skodelice)	<b>1 skodelica</b>	Na zaslonu bo prikazano število porcij namesto teže hrane.
		<b>2 skodelici</b>	
		<b>3 skodelice</b>	
A-02	Pica	150 g	
		300 g	
		450 g	
A-03	Krompir	100 g	
		200 g	
		300 g	
A-04	Samodejno pogrevanje	200 g	
		300 g	
		400 g	
		500 g	
		600 g	
		700 g	
A-05	Riba	800 g	
		200 g	
		300 g	
		400 g	
		500 g	
A-06	Kokice	600 g	
		100 g	

A-07	Juha	1	200 g na porcijo
		2	
		3	
A-08	Kaša	50 g	
		100 g	
		150 g	
A-09	Sveža zelenjava	200 g	
		300 g	
		400 g	
		500 g	
		600 g	
A-10	Zamrznjena zelenjava	200 g	
		300 g	
		400 g	
		500 g	
		600 g	
A-11	Riž	150 g	
		300 g	
		450 g	
		600 g	
A-12	Špageti/testenine	100 g	
		200 g	
		300 g	
A-13	Zamrznjena večerja/obrok	250 g	
		500 g	
A-14	Samodejno čiščenje/(delovanje bi bila kapljica vode v notranjosti pečice)		

Rezultat samodejnega kuhanja je odvisen od dejavnikov, kot so oblika in velikost živila, vaše osebne želje glede zapečenosti nekaterih živil in celo od tega, kako dobro postavite živila v pečico. Če ugotovite, da rezultat na določeni stopnji ni povsem zadovoljiv, ustrezno prilagodite čas kuhanja.

# ČIŠČENJE IN NEGA

1. Med čiščenjem izklopite pečico in odklopite napajalni kabel iz stene.
2. Ohranajte notranjost pečice čisto. Če hrana ali tekočina poškrabi stene pečice in se nanjo prilepi, jih obrišite z vlažno krpo. Če je pečica zelo umazana, lahko uporabite blagi detergent. Izogibajte se uporabi sprejev ali drugih grobih čistil. Na površini vrat se lahko pojavijo madeži, črte ali potemnitev.
3. Zunanost pečice očistite z vlažno krpo. Da bi preprečili poškodbe delov v pečici, voda ne sme pronicati v prezračevalne odprtine.
4. Z vlažno krpo pogosto obrišite vrata in okno na obeh straneh, tesnila vrat in bližnje dele, da odstranite morebitne tekočine ali umazanijo. Ne uporabljajte jedkih čistil.
5. Ne uporabljajte parnega čistilnika.
6. Poskrbite, da upravljalna plošča ni nikoli mokra. Očistite jo z mehko, vlažno krpo. Pri čiščenju upravljalne plošče pustite vrata pečice odprta, da preprečite nenamerni vklop pečice.
7. Če se na notranji strani vrat ali okoli vrat na zunanji strani nabira para, jo obrišite z mehko krpo. To se lahko zgodi, če mikrovalovna pečica deluje v pogojih visoke vlažnosti. In to je običajno.
8. Občasno je treba odstraniti in očistiti stekleni pladenj. Pladenj operite v topli in milnati vodi ali v pomivalnem stroju.
9. Valjčni obroč in dno pečice je treba redno čistiti, da se izognete prekomernemu hrupu. Dno pečice preprosto obrišite z blagim detergentom. Valjčni obroč lahko operete v blagi milnati vodi ali v pomivalnem stroju. Po odstranitvi valjčnega obroča poskrbite, da ga ponovno namestite v pravi položaj.
10. Vonjave iz pečice odstranite tako, da v posodi, primerni za mikrovalovno pečico, skodelico vode zmešate s sokom in lupinico ene limone. Segrevajte 5 minut. Nato pečico temeljito obrišite in posušite z mehko krpo.
11. Če žarnica pregori, se za zamenjavo obrnite na službo za pomoč strankam.
12. Pečico je treba redno čistiti in odstranjevati morebitne ostanke hrane. Če pečice ne čistite redno, lahko pride do razkrajanja površine, ki lahko negativno vpliva na življenjsko dobo naprave in je lahko nevarno.
13. Naprave ne odlagajte v koš za gospodinjске odpadke, temveč jo odnesite v poseben center za odstranjevanje odpadkov v vaši občini.



Ta naprava je označena v skladu z evropsko direktivo 2012/19/EU o odpadni električni in elektronski opremi iz leta 2013 (OEEO). OEEO vsebuje onesnaževalne snovi (ki lahko negativno vplivajo na okolje) in osnovne elemente (ki jih je mogoče ponovno uporabiti). Pomembno je, da je OEEO obdelana s posebnimi postopki za pravilno odstranjevanje in odlaganje onesnaževal ter predelavo vseh materialov. Posamezniki imajo lahko pomembno vlogo pri preprečevanju, da bi OEEO postala okoljska težava. Nujno je treba upoštevati nekatera temeljna pravila:

- z OEEO ne smete ravnati kot z gospodinjstskimi odpadki.
  - OEEO je treba odpeljati v posebne zbirne centre, ki jih upravlja mestni svet ali registrirano podjetje.
- V številnih državah je lahko za veliko OEEO na voljo odvoz kosovnih odpadkov iz gospodinjstev. Ob nakupu novega aparata lahko starega oddate prodajalcu, ki ga je dolžan brezplačno prevzeti po načelu eden za enega, če je nova oprema enake vrste in ima enake funkcije kot stara.