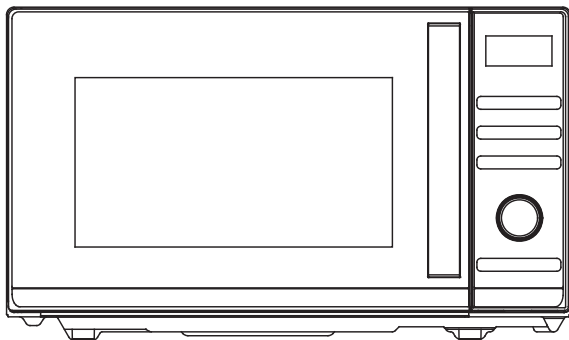












# Microwave Oven Instructions



Model: CMWA20TNDB

Please read these instructions carefully before installing and operating the oven.

<b>Haier Europe</b> <small>CANDY</small>  <b>Haier</b>	<b>PT</b>  707 200 188 210 010 773	<b>IT</b>  02 400 48 200	<b>ES</b>  902 100 150 943 914 150	<b>DE</b>  0800 500 48 48
	<b>BE</b>  <b>LU</b>  02 752 94 10	<b>NL</b>  33 422 4000	<b>AT</b>  0820 220 224	<b>GR</b>  801 11 50 50 50

70017948

# CONTENT

<b>CONTENT</b> .....	<b>1</b>
<b>PRECAUTIONS TO AVOID POSSIBLE EXPOSURE TO EXCESSIVE MICROWAVE ENERGY</b> .....	<b>2</b>
<b>IMPORTANT SAFETY INSTRUCTIONS</b> .....	<b>2</b>
<b>INSTALLATION GUIDE</b> .....	<b>5</b>
<b>GROUNDING INSTRUCTIONS</b> .....	<b>5</b>
<b>RADIO INTERFERENCE</b> .....	<b>6</b>
<b>BEFORE CALLING FOR SERVICE</b> .....	<b>6</b>
<b>COOKING TECHNIQUES</b> .....	<b>6</b>
<b>COOKING UTENSILS GUIDE</b> .....	<b>7</b>
<b>SPECIFICATIONS</b> .....	<b>8</b>
<b>PRODUCT DIAGRAM</b> .....	<b>8</b>
<b>CONTROL PANEL</b> .....	<b>9</b>
<b>OPERATION INSTRUCTIONS</b> .....	<b>10</b>
<b>SETTING THE CLOCK</b> .....	<b>10</b>
<b>MICROWAVE COOKING</b> .....	<b>10</b>
<b>EXPRESS COOKING</b> .....	<b>11</b>
<b>AUTO DEFROST</b> .....	<b>11</b>
<b>SPEED DEFROST</b> .....	<b>11</b>
<b>MULTISTAGE COOKING</b> .....	<b>11</b>
<b>AUTO CLEAN</b> .....	<b>12</b>
<b>PRESET</b> .....	<b>12</b>
<b>CHILD LOCK</b> .....	<b>12</b>
<b>AUTO COOK</b> .....	<b>13</b>
<b>CLEANING AND CARE</b> .....	<b>14</b>



# PRECAUTIONS TO AVOID POSSIBLE EXPOSURE TO EXCESSIVE MICROWAVE ENERGY

1. Do not attempt to operate this oven with the door open since open-door operation can result in harmful exposure to microwave energy. It is important not to defeat or tamper with the safety interlocks.
2. Do not place any object between the oven front face and the door or allow soil or cleaner residue to accumulate on sealing surfaces.
3. Do not operate the oven if it is damaged. It is very important that the oven door close properly and that there is no damage to the
  - a) Door (including any bent),
  - b) Hinges and latches (broken or loosened),
  - c) Door seals and sealing surfaces.
4. The oven should not be adjusted or repaired by anyone except qualified service personnel.

# IMPORTANT SAFETY INSTRUCTIONS

When using electrical appliance basic safety precautions should be followed, including the following:

**WARNING!**--To reduce the risk of burns, electric shock, fire, injury to persons or exposure to excessive microwave energy:

1. Use this appliance only for its intended use as described in the manual. Do not use corrosive chemicals or vapors in this appliance. This type of oven is specifically designed to heat, cook or dry food. It is not designed for industrial or laboratory use.
2. Do not operate the oven when empty.
3. Do not operate this appliance if it has a damaged cord or plug, if it is not working properly, or if it has been damaged or dropped. If the supply cord is damaged, it must be replaced by the manufacturer or its service agent or a similarly qualified person in order to avoid a hazard.
4. **WARNING!**--Only allow children to use the oven without supervision when adequate instructions have been given so that the child is able to use the oven in a safe way and understands the hazards of improper use.
5. To reduce the risk of fire in the oven cavity:

- When heating food in plastic or paper container, keep an eye on the oven due to the possibility of ignition.
  - Remove wire twist-ties from paper or plastic bags before placing bag in oven.
  - If smoke is observed, switch off or unplug the appliance and keep the door closed in order to stifle any flames.
  - Do not use the cavity for storage purposes. Do not leave paper products, cooking utensils, or food in the cavity when not in use.
  - The microwave oven is intended for heating food and beverages. Drying of food or clothing and heating of warming pads, slippers, sponges, damp cloth and similar may lead to risk of injury, ignition or fire.
6. **WARNING!**--Liquid or other food must not be heated in sealed containers since they are liable to explode.
  7. Microwave heating of beverages can result in delayed eruptive boiling, therefore care has to be taken when handle the container.
  8. Do not fry food in the oven. Hot oil can damage oven parts and utensils and even result in skin burns.
  9. Eggs in their shell and whole hard-boiled eggs should not be heated in microwave ovens since they may explode even after microwave heating has ended.
  10. Pierce foods with heavy skins such as potatoes, whole squashes, apples and chestnuts before cooking.
  11. The contents of feeding bottles and baby food jars should be stirred or shaken and the temperature should be checked before serving in order to avoid burns.
  12. Cooking utensils may become hot because of heat transferred from the heated food. Potholders may be needed to handle the utensil.
  13. Utensils should be checked to ensure that they are suitable for use in microwave oven.
  14. **WARNING!**--It is hazardous for anyone other than a trained person to carry out any service or repair operation which involves the removal of any cover which gives protection against exposure to microwave energy.
  15. This product is a Group 2 Class B ISM equipment. The definition of Group 2 which contains all ISM (Industrial, Scientific and Medical) equipment in which radio-frequency energy is intentionally generated and/or used in the form of electromagnetic radiation for the treatment of material, and spark erosion equipment. For Class B equipment is equipment suitable for use in domestic establishments and in establishments directly connected to a low voltage power supply network which supplies buildings used for domestic purpose.
  16. This appliance is not intended for use by persons (including children) with reduced physical, sensory or mental capabilities, or lack of experience and knowledge,

- unless they have been given supervision or instruction concerning use of the appliance by a person responsible for their safety.
17. Children should be supervised to ensure that they do not play with the appliance.
  18. The microwave oven is only used in freestanding.
  19. **WARNING!**--Do not install oven over a range cook top or other heat-producing appliance. if installed could be damaged and the warranty would be avoid .
  20. The microwave oven shall not be placed in a cabinet.
  21. **WARNING!**--The appliance and its accessible parts become hot during use.
  22. **WARNING!**--Accessible parts may become hot during use. Young children should be kept away.
  23. During use the appliances becomes hot. Care should be taken to avoid touching heating elements inside the oven, for cooking ranged and ovens.
  24. The temperature of accessible surfaces may be high when the appliance is operating.
  25. The appliance shall be placed against a wall.
  26. Appliance is not to be used by children or persons with reduced physical, sensory or mental capabilities, or lack of experience and knowledge, unless they have been given supervision or instruction.
  27. **WARNING!**--If the door or door seals are damaged, the oven must not be operated until it has been repaired by a competent person.
  28. The appliances are not intended to be operated by means of an external timer or separate remote-control system.
  29. The microwave oven is for household use only and not for commercial use.
  30. Never remove the distance holder in the back or on the sides, as it ensures a minimum distance from the wall for air circulation.
  31. Please secure the turntable before you move the appliance to avoid damages.
  32. **CAUTION!**--It is dangerous to repair or maintain the appliance by no other than a specialist because under these circumstances the cover have to be removed which assures protection against microwave radiation. This applies to changing the power cord or the lighting as well. Send the appliance in these cases to our service centre.
  33. The microwave oven is intended for defrosting, cooking and steaming of food only.
  34. Use gloves if you remove any heated food.
  35. Caution! Steam will escape, when opening lids or wrapping foil.
  36. This appliance can be used by children aged from 8 years and above and persons with reduced physical, sensory or mental capabilities or lack of experience and knowledge if they have been given supervision or instruction concerning use of the appliance in a safe way and understand the hazards involved. Children shall not play with the appliance. Cleaning and user maintenance shall not be made by

children unless they are aged from 8 years and above and supervised.

37. If smoke is emitted, switch off or unplug the appliance and keep the door closed in order to stifle any flames.

## INSTALLATION GUIDE

1. Make sure that all the packing materials are removed from the inside of the door.
2. **WARNING!**--Check the oven for any damage, such as misaligned or bent door, damaged door seals and sealing surface, broken or loose door hinges and latches and dents inside the cavity or on the door. If there is any damage, do not operate the oven and contact qualified service personnel.
3. This microwave oven must be placed on a flat, stable surface to hold its weight and the heaviest food likely to be cooked in the oven.
4. Do not place the oven where heat, moisture, or high humidity are generated, or near combustible materials.
5. For correct operation, the oven must have sufficient airflow. Allow 20cm of space above the oven, 10cm at back and 5cm at both sides. Do not cover or block any openings on the appliance. Do not remove feet.
6. Do not operate the oven without glass tray, roller support, and shaft in their proper positions.
7. Make sure that the power supply cord is undamaged and does not run under the oven or over any hot or sharp surface.
8. The socket must be readily accessible so that it can be easily unplugged in an emergency.
9. Do not use the oven outdoors.

## GROUNDING INSTRUCTIONS

This appliance must be grounded. This oven is equipped with a cord having a grounding wire with a grounding plug. It must be plugged into a wall receptacle that is properly installed and grounded. In the event of an electrical short circuit, grounding reduces risk of electric shock by providing an escape wire for the electric current. It is recommended that a separate circuit serving only the oven be provided. Using a high voltage is dangerous and may result in a fire or other accident causing oven damage.

**WARNING!**--Improper use of the grounding plug can result in a risk of electric shock.

Note:

1. If you have any questions about the grounding or electrical instructions, consult a qualified electrician or service person.

2. Neither the manufacturer nor the dealer can accept any liability for damage to the oven or personal injury resulting from failure to observe the electrical connection procedures.

The wires in this cable main are colored in accordance with the following code:

**Green and Yellow = EARTH**

**Blue = NEUTRAL**

**Brown = LIVE**

## **RADIO INTERFERENCE**

Operation of the microwave oven can cause interference to your radio, TV, or similar equipment. When there is interference, it may be reduced or eliminated by taking the following measures:

1. Clean door and sealing surface of the oven.
2. Reorient the receiving antenna of radio or television.
3. Relocate the microwave oven with respect to the receiver.
4. Move the microwave oven away from the receiver.
5. Plug the microwave oven into a different outlet so that microwave oven and receiver are on different branch circuits.

## **BEFORE CALLING FOR SERVICE**

Before asking for service, please check each item below:

- Check to ensure the oven is plugged in securely. If not, remove the plug from the outlet, wait 10 seconds, and plug it in again securely.
- Check for a blown circuit fuse or a tripped main circuit breaker. If these seem to be operating properly, test the outlet with another appliance.
- Check to ensure the control panel is programmed correctly and the timer is set.
- Check to ensure the door is securely closed, engaging the door lock system. If the door is not properly closed, the microwave energy will not flow inside.

IF NONE OF THE ABOVE RECTIFIES THE SITUATION, THEN CONTACT A QUALIFIED TECHNICIAN. DO NOT TRY TO ADJUST OR REPAIR THE OVEN YOURSELF.

## **COOKING TECHNIQUES**

1. Arrange food carefully. Place thickest areas towards outside of dish.
2. Watch cooking time. Cook for the shortest amount of time indicated and add more

as needed. Food severely overcooked can smoke or ignite.

3. Cover foods while cooking. Covers prevent spattering and help foods to cook evenly.
4. Turn foods over once during microwave cooking to speed cooking of such foods as chicken and hamburgers. Large items like roasts must be turned over at least once.
5. Rearrange foods such as meatballs halfway through cooking both from top to bottom and from the center of the dish to the outside.

## COOKING UTENSILS GUIDE

1. Microwave cannot penetrate metal. Only use utensils that are suitable for use in microwave ovens. Metallic containers for food and beverages are not allowed during microwave cooking. This requirement is not applicable if the manufacturer specifies size and shape of metallic containers suitable for microwave cooking.
2. Microwave cannot penetrate metal, so metal utensils or dishes with metallic trim should not be used.
3. Do not use recycled paper products when microwave cooking, as they may contain small metal fragments which may cause sparks and/or fires.
4. Round /oval dishes rather than square/oblong ones are recommend, as food in corners tends to overcook.
5. Narrow strips of aluminum foil may be used to prevent overcooking of exposed areas. But be careful don't use too much and keep a distance of 1 inch (2.54cm) between foil and cavity.

The list below is a general guide to help you select the correct utensils.

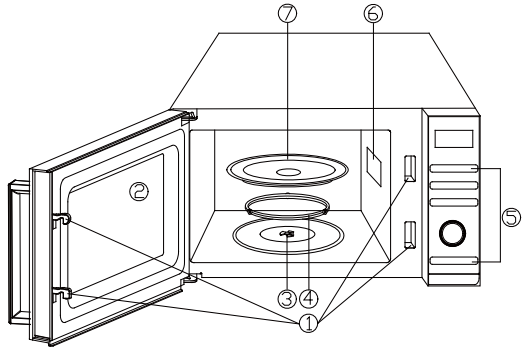
Cookware	Microwave Cooking
Heat-Resistant Glass	Yes
Non Heat-Resistant Glass	No
Heat-Resistant Ceramics	Yes
Microwave-Safe Plastic Dish	Yes
Kitchen Paper	Yes
Metal Tray	No
Metal Rack	No
Aluminum Foil & Foil Containers	No

# SPECIFICATIONS

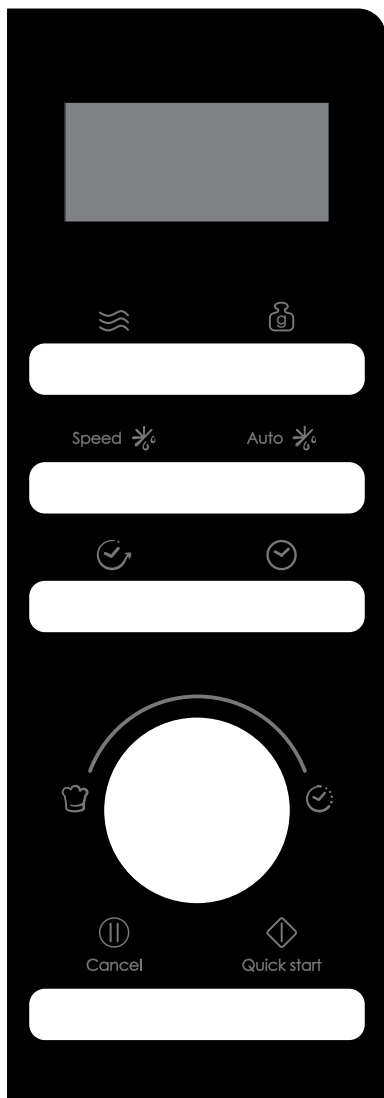
Power Consumption	230-240V/50Hz, 1200W(microwave)
Output	700W
Operation Frequency	2450MHz
Outside Dimensions	262mm(H)×452mm(W)×346mm(D)
Oven Cavity Dimensions	198mm(H)×315mm(W)×297mm(D)
Oven Capacity	Compact 20Litres
Net Weight	Approx.10.8kg

# PRODUCT DIAGRAM

1. Door Safety Lock System
2. Oven Window
3. Shaft
4. Roller Ring
5. Control Panel
6. Wave Guide  
(Please do not remove the mica plate covering the wave guide)
7. Glass Tray



# CONTROL PANEL



- **DISPLAY**

Cooking time, power, indicators and clock time are displayed.

- **POWER** 

Press to set microwave cooking power level.

- **WEIGHT ADJUST** 

Press to set food weight or servings.

- **SPEED DEFROST** Speed 

Press to defrost food based on time.

- **AUTO DEFROST** Auto 

Press to defrost food based on weight.

- **PRESET** 

Use to set the oven to start-up at a later time.

- **CLOCK** 

Press to set clock time.

- **MENU/TIME**   (dial)

Turn to set time and select auto cooking menus.

- **PAUSE/CANCEL** Cancel 

Press once to temporarily stop cooking, or twice to cancel cooking altogether.

- **START/QUICK START** Quick start 

Press to start cooking and defrosting programs.

Simply press it a number of times to set cooking time and cook immediately at full power level.



# OPERATION INSTRUCTIONS

- When the oven first plugged in, a beep will sound and the display will show "🕒" and "1:01".
- In the process of setting, broke about 30 seconds the oven will return to standby mode.
- During cooking, if press PAUSE/CANCEL button once, the program will be paused, then press START/QUICK START button to resume. But if press PAUSE/CANCEL button twice, the program will be cancelled.
- After cooking end, the display will show End and beep will sound every two minutes until user press any button or open the door.

## SETTING THE CLOCK

This is a 12- or 24- hour clock. You can choose to set the clock time in 12- or 24- hour by pressing the CLOCK button in standby mode.

1. In standby mode, press CLOCK button repeatedly to select 12- or 24- hour clock.
2. Turn MENU/TIME dial until the correct hour is displayed.
3. Press CLOCK button once.
4. Turn MENU/TIME dial until the correct minute is displayed.
5. Press CLOCK button to confirm.

**NOTE:** During cooking, you can check the current clock time by pressing CLOCK button.

## MICROWAVE COOKING

1. In standby mode, press POWER button repeatedly to select power level.
2. Turn MENU/TIME dial to set cooking time. The longest time is 95 minutes.
3. Press START/QUICK START button to confirm.

**Select power level by pressing POWER button:**

Press POWER button	Power (Display)	Press POWER button	Power (Display)
Once	100% (100)	7 times	40% (40)
Twice	90% (90)	8 times	30% (30)
3 times	80% (80)	9 times	20% (20)
4 times	70% (70)	10 times	10% (10)
5 times	60% (60)	11 times	00% (00)
6 times	50% (50)		

**NOTE:** During cooking, you can check the current cooking power level by pressing POWER button.

## **EXPRESS COOKING**

---

Use this feature to program the oven to microwave food at 100% power conveniently. In standby mode and the oven door is closed, press START/QUICK START button repeatedly to set cooking time (each press to increase 30 seconds, and up to 10 minutes), the oven starts immediately at full power.

## **AUTO DEFROST**

---

The defrosting time and power level are automatically set once the food weight is programmed. The frozen food weight ranges from 100 g to 1800 g.

1. In standby mode, press AUTO DEFROST button once.
2. Press WEIGHT ADJUST button repeatedly to select food weight.
3. Press START/QUICK START button to confirm.

**NOTE:** During defrosting, the system will pause and sound to remind user to turn food over, and then press START/QUICK START button to resume the defrosting.

## **SPEED DEFROST**

---

1. In standby mode, press SPEED DEFROST button once.
2. Turn MENU/TIME dial to set defrosting time. The longest time is 95 minutes.
3. Press START/QUICK START button to confirm.

**NOTE:** During defrosting, the system will pause and sound to remind user to turn food over, and then press START/QUICK START button to resume the defrosting.

## **MULTISTAGE COOKING**

---

Your oven can be programmed for up to 2 automatic cooking sequences.

Suppose you want to set the following cooking program:

Microwave cooking



Microwave cooking (with lower power level)

1. Input the first microwave cooking program. Do not press START/QUICK START button.
2. Input the second microwave cooking program.
3. Press START/QUICK START button to confirm.

**NOTE:** Express cooking, auto defrost, speed defrost and auto cook menus can't be set in multi-stage cooking.

## **AUTO CLEAN**

---

Put a bowl of 300 g water into the oven and close the door.

1. In standby mode, turn MENU/TIME dial anti-clockwise once, and then turn the dial until the display shows "CLE" and "AUTO".
2. Press WEIGHT ADJUST button once.
3. Press START/QUICK START button to start.

**NOTE:** The cleaning time is 10 minutes.

## **PRESET**

---

This function allows the oven to start in a later time.

1. In standby mode, input a cooking program (except express cooking, auto defrost and speed defrost).
2. Press PRESET button once.
3. Turn MENU/TIME dial to set hour digit.
4. Press PRESET button once.
5. Turn MENU/TIME dial to set minute digit.
6. Press START/QUICK START button once.

**NOTE:** You can check the countdown time by pressing PRESET button, if PAUSE/CANCEL button is pressed when the display shows the time, the function can be cancelled.

## **CHILD LOCK**

---

The child lock prevents unsupervised operation by children.

To enter child lock: In standby mode, if there is not any operation within one minute, the oven will auto enter child lock mode and the lock indicator light will turn on. In the lock state, all buttons are disabled.

To cancel: In child lock mode, open or close the oven door once to cancel the program and the lock indicator light will come off.

## AUTO COOK

For the following food or cooking mode, it is not necessary to program the cooking time and power. It is sufficient to indicate the type of food that you want to cook as well as the weight or servings of this food.

1. In standby mode, turn MENU/TIME dial anti-clockwise once, the display show "A-01", then continue to turn the dial to select others food code.
2. Press WEIGHT ADJUST button repeatedly to set food weight or servings.
3. Press START/QUICK START button to confirm.

### Auto cook menus:

Code	Food	Weight/Quantity	Note
A-01	Milk/Coffee/Tea (200 ml/cup, 1-3 cups)	1 cup	The display will show the number of servings instead of food weight
		2 cup	
		3 cup	
A-02	Pizza	150g	
		300g	
		450g	
A-03	Potato	100g	
		200g	
		300g	
A-04	Auto Reheat	200g	
		300g	
		400g	
		500g	
		600g	
		700g	
A-05	Fish	200g	
		300g	
		400g	
		500g	
		600g	
A-06	Popcorn	100g	
A-07	Soup	200g	
		400g	
		600g	
A-08	Porridge	50g	
		100g	
		150g	
A-09	Fresh vegetable	200g	
		300g	
		400g	
		500g	
		600g	

A-10	Frozen vegetable	200g	
		300g	
		400g	
		500g	
		600g	
A-11	Rice	150g	
		300g	
		450g	
		600g	
A-12	Spaghetti/Pasta	100g	
		200g	
		300g	
A-13	Frozen dinner/meal	250g	
		500g	
A-14	Autoclean/(performance would be the water drop full of the inside of the cavity)		

The result of auto cooking depends on factors such as the shape and the size of food, your personal preferences as to the doneness of certain foods and even how well you happen to place foods in the oven. If you find the result at any rate not quite satisfactory, please adjust the cooking time a little bit accordingly.

## CLEANING AND CARE

1. Turn off the oven and unplug the power cord from the wall when cleaning.
2. Keep the inside of the oven clean. When food splatters or spilled liquids adhere to oven walls, wipe with a damp cloth. Mild detergents may be used if the oven gets very dirty. Avoid using spray or other harsh cleaners. They may stain, streak or dull the door surface.
3. The outside of the oven should be cleaned with a damp cloth. To prevent damage to the operating parts inside the oven, water should not be allowed to seep into the ventilation openings.
4. Wipe the door and window on both sides, the door seals and adjacent parts frequently with a damp cloth to remove any spills or splatters. Do not use abrasive cleaner.
5. A steam cleaner is not to be used.
6. Do not allow the control panel to become wet. Clean with a soft, damp cloth. When cleaning the control panel, leave oven door open to prevent oven from accidentally turning on.
7. If steam accumulates inside or around the outside of the oven door, wipe with a soft

- cloth. This may occur when the microwave oven is operated under high humidity condition. And it is normal.
8. It is occasionally necessary to remove the glass tray for cleaning. Wash the tray in warm sudsy water or in a dishwasher.
  9. The roller ring and oven floor should be cleaned regularly to avoid excessive noise. Simply wipe the bottom surface of the oven with mild detergent. The roller ring may be washed in mild, soapy water or in a dishwasher. When removing the roller ring, be sure to replace it in the proper position.
  10. Remove odors from your oven by combining a cup of water with the juice and skin of one lemon in a microwaveable bowl. Microwave for 5 minutes. Wipe thoroughly and dry with a soft cloth.
  11. If the light bulb burns out, please contact customer service to have it replaced.
  12. The oven should be cleaned regularly and any food deposits should be removed. Failure to maintain the oven in a clean condition could lead to deterioration of surface that could adversely affect the life of the unit and could possibly result in a hazardous situation.
  13. Please do not dispose of this appliance into the domestic rubbish bin; it should be disposed to the particular disposal center provided by the municipalities.

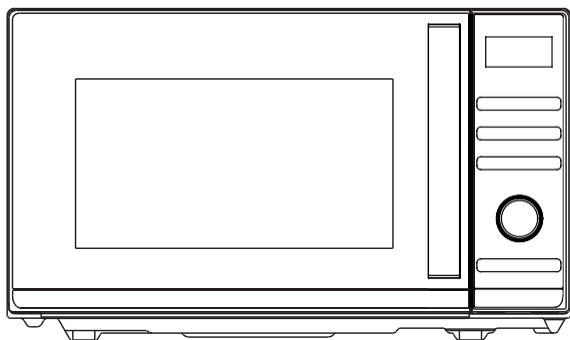


This appliance is labelled in accordance with European Directive 2012/19/EU on Waste Electrical and Electronic Equipment Regulations 2013 regarding electric and electronic appliances (WEEE). The WEEE contain both polluting substances (that can have a negative effect on the environment) and base elements (that can be reused). It is important that the WEEE undergo specific treatments to correctly remove and dispose of the pollutants and recover all the materials. Individuals can play an important role in ensuring that the WEEE do not become an environmental problem; it is essential to follow a few basic rules:

- the WEEE should not be treated as domestic waste;
- the WEEE should be taken to dedicated collection areas managed by the town council or a registered company.

In many countries, domestic collections may be available for large WEEEs. When you buy a new appliance, the old one can be returned to the vendor who must accept it free of charge as a one-off, as long as the appliance is of an equivalent type and has the same functions as the purchased appliance.

# Návod k obsluze mikrovlnné trouby



Model: CMWA20TNDB

Před instalací a obsluhou trouby si pečlivě přečtěte tento návod.

<b>Haier Europe</b> <small>CANDY Haier</small>	<b>PT</b> 📞 707 200 188 210 010 773	<b>IT</b> 📞 02 400 48 200	<b>ES</b> 📞 902 100 150 943 914 150	<b>DE</b> 📞 0800 500 48 48
<b>BE</b> 📞 02 752 94 10	<b>NL</b> 📞 33 422 4000	<b>AT</b> 📞 0820 220 224	<b>GR</b> 📞 801 11 50 50 50	<b>CH</b> 📞 0848 780 780

700175948



# OBSAH

<b>DŮLEŽITÉ BEZPEČNOSTNÍ POKYNY .....</b>	<b>2</b>
<b>INSTALAČNÍ PŘÍRUČKA.....</b>	<b>4</b>
<b>POKYNY K UZEMNĚNÍ.....</b>	<b>5</b>
<b>RÁDIOVÉ RUŠENÍ.....</b>	<b>5</b>
<b>PŘED VYŽÁDÁNÍM SLUŽBY .....</b>	<b>6</b>
<b>TECHNIKY VAŘENÍ.....</b>	<b>6</b>
<b>PRŮVODCE KUCHYŇSKÝM NÁČINÍM.....</b>	<b>6</b>
<b>SPECIFIKACE.....</b>	<b>7</b>
<b>DIAGRAM PRODUKTU .....</b>	<b>8</b>
<b>OVLÁDACÍ PANEL.....</b>	<b>9</b>
<b>PROVOZNÍ POKYNY .....</b>	<b>10</b>
<b>NASTAVENÍ HODIN .....</b>	<b>10</b>
<b>MIKROVLNNÉ VAŘENÍ.....</b>	<b>10</b>
<b>EXPRESNÍ VAŘENÍ.....</b>	<b>11</b>
<b>AUTOMATICKÉ ODMRAZOVÁNÍ .....</b>	<b>11</b>
<b>RYCHLÉ ROZMRAZOVÁNÍ.....</b>	<b>11</b>
<b>VÍCESTUPŇOVÉ VAŘENÍ .....</b>	<b>11</b>
<b>AUTOMATICKÉ ČIŠTĚNÍ.....</b>	<b>12</b>
<b>PŘEDNASTAVENÁ .....</b>	<b>12</b>
<b>DĚTSKÁ POJISTKA.....</b>	<b>12</b>
<b>AUTOMATICKÉ VAŘENÍ .....</b>	<b>12</b>
<b>ČIŠTĚNÍ A PÉČE.....</b>	<b>14</b>

# OPATŘENÍ K ZABRÁNĚNÍ MOŽNÉMU VYSTAVENÍ NADMĚRNÉ MIKROVLNNÉ ENERGII

1. Nepokoušejte se používat tuto troubu s otevřenými dvířky, protože provoz s otevřenými dvířky může mít za následek škodlivé vystavení mikrovlnné energii. Je důležité, abyste neporazili bezpečnostní zámky ani s nimi nemanipulovali.
2. Mezi přední stěnu trouby a dvířka neumísťujte žádné předměty, ani nedovolte, aby se na těsnících plochách hromadila špína nebo zbytky čistícího prostředku.
3. Pokud je trouba poškozená, nepoužívejte ji. Je velmi důležité, aby se dvířka trouby správně zavírala a aby nedošlo k poškození
  - a) Dvířka (včetně jakýchkoli ohnutých),
  - b) Závěsy a západky (prasklé nebo uvolněné),
  - c) Těsnění dvířek a těsnící plochy.
4. Roura by neměla být seřizována ani opravována nikým jiným než kvalifikovaným servisním personálem.

## DŮLEŽITÉ BEZPEČNOSTNÍ POKYNY

Při používání elektrického spotřebiče je třeba dodržovat základní bezpečnostní opatření, včetně následujících:

**UPOZORNĚNÍ!** Pro snížení rizika popálenin, úrazu elektrickým proudem, požáru, zranění osob nebo vystavení nadměrné mikrovlnné energii:

1. Tento spotřebič používejte pouze pro zamýšlené použití, jak je popsáno v návodu. V tomto spotřebiči nepoužívejte korozivní chemikálie ani páry. Tento typ trouby je speciálně určen k ohřevu, vaření nebo sušení potravin. Není určen pro průmyslové nebo laboratorní použití.
2. Neprovozujte troubu, pokud je prázdná.
3. Nepoužívejte tento spotřebič, pokud má poškozený kabel nebo zástrčku, pokud nepracuje správně nebo pokud byl poškozen nebo spadl. Pokud je napájecí kabel poškozen, musí být vyměněn výrobcem, jeho servisním technikem nebo podobně kvalifikovanou osobou, aby se zabránilo nebezpečí.
4. **UPOZORNĚNÍ!** Děti smí používat troubu bez dozoru pouze tehdy, pokud jim byly poskytnuty odpovídající pokyny, aby mohly troubu používat bezpečným způsobem a pochopily nebezpečí spojené s nesprávným použitím.
5. Pro snížení rizika požáru uvnitř trouby:
  - Při ohřívání potravin v plastových nebo papírových nádobách sledujte troubu kvůli možnosti vznícení.

- Před vložením sáčku do trouby odstraňte z papíru nebo plastových sáčků drátěné uzávěry.
  - Pokud se vyskytne kouř, ihned vypněte spotřebič a zástrčku vytáhněte ze zásuvky, dvířka nechte otevřená a případný oheň uhasťte.
  - Nepoužívejte vnitřní prostor trouby pro skladování. Nenechávejte uvnitř papírové výrobky, kuchyňské náčiní nebo potraviny, pokud nejsou používány.
  - Mikrovlnná trouba je určena k ohřevu jídla a nápojů. Sušení potravin nebo oděvů a zahřívání nahřívacích polštářků, pantoflí, houbiček, vlhkých látek apod. může vést k nebezpečí zranění, vznícení nebo požáru.
6. **UPOZORNĚNÍ!** Tekutiny nebo jiné potraviny nesmí být zahřívány v uzavřených nádobách, protože mohou explodovat.
  7. Mikrovlnné ohřívání nápojů může vést k jejich opožděnému bublajícímu vaření, proto při manipulaci s těmito nápoji dbejte zvýšené opatrnosti.
  8. Jídlo v troubě nesmažte. Horký olej může poškodit části trouby a kuchyňské potřeby a dokonce může způsobit popáleniny kůže.
  9. Vajíčka ve skořápce a vajíčka vařená natvrdo by se neměla ve spotřebiči ohřívát, protože mohou explodovat i po dokončení mikrovlnného ohřevu.
  10. Potraviny s tvrdou kůrou před vařením propíchněte, např. brambory, dýně, jablka a kaštany.
  11. Obsah kojeneckých lahví a lahviček s dětskou výživou je třeba před použitím promíchat nebo s nimi zatřepat, abyste tak předešli popáleninám.
  12. Náčiní na vaření se mohou zahřát v důsledku tepla přenášeného z ohřívání jídla. Pro manipulaci s náčiním mohou být zapotřebí kuchyňské čňapky.
  13. Kuchyňské náčiní je třeba zkontrolovat, aby se zajistilo, že je vhodné k použití u mikrovlnných troubách.
  14. **UPOZORNĚNÍ!** Je nebezpečné pro kohokoli jiného než kvalifikovaného opraváře provádět jakýkoli servis nebo opravy, které zahrnují demontáž krytu, který ochraňuje proti expozici mikrovlnné energii.
  15. Tento výrobek patří do skupiny 2 třídy B zařízení ISM. Definice skupiny 2, která zahrnuje všechna zařízení ISM (průmyslová, vědecká a lékařská), v nichž se záměrně vytváří a/nebo používá radiofrekvenční energie ve formě elektromagnetického záření pro úpravu materiálu, a zařízení pro jiskrovou erozi. Zařízení třídy B je zařízení vhodné pro použití v domácnostech a v zařízeních přímo připojených k síti nízkého napětí, která zásobuje budovy používané pro domácí účely.
  16. Tento spotřebič nesmějí používat osoby (včetně dětí) se sníženými fyzickými, smyslovými nebo duševními schopnostmi nebo nedostatečnými zkušenostmi a znalostmi, pokud nejsou pod dohledem osoby odpovědné za jejich bezpečnost nebo nebyly touto osobou poučeny ohledně používání spotřebiče.
  17. Děti by měly být dohledem, aby se zajistilo, že si se spotřebičem nebudou hrát.
  18. Mikrovlnná trouba se používá pouze jako volně stojící.
  19. **UPOZORNĚNÍ!** Neinstalujte troubu na horní panel sporáku ani jiné zařízení vydávající teplo. Pokud byla nainstalována, mohla by se poškodit a záruka by byla zrušena.
  20. Mikrovlnná trouba nesmí být umístěna ve skříni.
  21. **UPOZORNĚNÍ!** Spotřebič a jeho přístupné části se během používání zahřívají na vysokou teplotu.
  22. **UPOZORNĚNÍ!** Přístupné části se mohou během používání zahřát. Malé děti by měly být drženy v dostatečné vzdálenosti.

23. Během používání se spotřebiče zahřejí. Dávejte pozor, abyste se nedotkli topných prvků ploténky a na pečení uvnitř trouby.
24. Teplota přístupných povrchů může být při provozu spotřebiče vysoká.
25. Spotřebič musí být umístěn u stěny.
26. Spotřebič nesmí používat děti nebo osoby se sníženými fyzickými, smyslovými nebo duševními schopnostmi nebo s nedostatkem zkušeností a znalostí, pokud nebyly pod dohledem nebo poučeny.
27. **UPOZORNĚNÍ!** Pokud jsou dvířka nebo těsnění dvířek poškozena, trouba nesmí být v provozu, dokud ji neopraví kvalifikovaná osoba.
28. Spotřebiče nejsou určeny k ovládání pomocí externího časovače nebo samostatného systému dálkového ovládání.
29. Mikrovlnná trouba je určena pouze pro použití v domácnosti a ne pro komerční použití.
30. Nikdy neodstraňujte distanční lištu, která se nachází zezadu a na stranách, protože zajišťuje minimální vzdálenost od stěny pro cirkulaci vzduchu.
31. Před přesunem spotřebiče zajistěte otočný talíř, abyste předešli jeho poškození.
32. **POZOR!** Je nebezpečné, jestliže spotřebič opravuje nebo servisuje osoba, která není specialistou, protože za těchto okolností je třeba odstranit kryt, který zajišťuje ochranu před mikrovlnným zářením. To platí i pro výměnu napájecího kabelu nebo osvětlení. Spotřebič v těchto případech odešlete do našeho servisního střediska.
33. Mikrovlnná trouba je určena pouze k rozmrazování, vaření a vaření v páře.
34. Při vybírání jakéhokoli zahřátého jídla používejte rukavice.
35. Pozor! Při otevírání víček nebo balicí fólie unikne pára.
36. Tento spotřebič smějí používat děti starší 8 let a osoby se sníženými fyzickými, smyslovými nebo duševními schopnostmi nebo bez patřičných zkušeností a znalostí, pokud jsou pod dohledem osoby odpovědné za jejich bezpečnost, případně byly poučeny o bezpečném používání spotřebiče a rozumějí možným nebezpečím. Děti si se spotřebičem nesmějí hrát. Čištění a údržbu uživatele nesmějí provádět děti, pokud nejsou starší 8 let a nejsou pod dohledem.
37. Pokud ze spotřebiče vychází kouř, vypněte nebo odpojte jej a nechte dvířka zavřená, aby se případné plameny uhasily.

## INSTALAČNÍ PŘÍRUČKA

1. Ujistěte se, že jste z vnitřního prostoru trouby vyjmuli veškerý obalový materiál.
2. **UPOZORNĚNÍ!** Zkontrolujte, zda není trouba nějakým způsobem poškozená, například zda nejsou nevyrovnaná nebo zkřivená dvířka, poškozené nebo uvolněné dveřní závěsy, západky a ozuby uvnitř trouby nebo na dvířkách. Pokud dojde k poškození, troubu nepoužívejte a kontaktujte kvalifikovaný servisní personál.
3. Tato mikrovlnná trouba musí být umístěna na rovném, stabilním povrchu, aby udržela svou hmotnost a nejtěžší potraviny, které mohou být v troubě vařeny.
4. Neumísťujte troubu blízko tepelných zdrojů, na místa se zvýšenou vlhkostí nebo v blízkosti hořlavých materiálů.
5. Pro správnou funkci musí mít trouba dostatečný průtok vzduchu. Nad troubou ponechte 20 cm prostoru, vzadu 10 cm a po obou stranách 5 cm. Nezakrývejte ani neblokuje žádné otvory na spotřebiči. Neodstraňujte nožky.

6. Nepoužívejte troubu, jestliže skleněný talíř, válečkový prstenec, podpěra a hřidel nejsou na svém řádném místě.
7. Ujistěte se, že napájecí kabel není poškozený a není umístěn pod troubou ani na horkém nebo ostrém povrchu.
8. Zásuvka musí být snadno přístupná, aby ji bylo možné v případě nouze snadno odpojit.
9. Nepoužívejte troubu venku.

## POKYNY K UZEMNĚNÍ

Tento spotřebič musí být uzemněn. Tato trouba je vybavena kabelem se zemnicím vodičem se zemnicí zástrčkou. Musí být zapojen do zásuvky, která je správně nainstalována a uzemněna. V případě elektrického zkratu snižuje uzemnění riziko úderu elektrickým proudem poskytnutím drátu, po kterém může odtéci elektrický proud. Doporučuje se, aby byl zajištěn samostatný okruh sloužící pouze troubě. Použití vysokého napětí je nebezpečné a může mít za následek požár nebo jinou nehodu způsobující poškození trouby.

**UPOZORNĚNÍ!** Nesprávné použití uzemňovací zástrčky může vést k riziku úrazu elektrickým proudem.

Poznámka:

1. Máte-li jakékoli dotazy týkající se uzemnění nebo elektrických pokynů, poraďte se s kvalifikovaným elektrikářem nebo servisním technikem.
2. Výrobce ani prodejce nemohou nést žádnou odpovědnost za poškození trouby nebo zranění osob v důsledku nedodržení postupů elektrického připojení.

Dráty v tomto hlavním kabelu jsou barevné podle následujícího kódu:

**Zelená a žlutá = UZEMNĚNÍ**

**Modrá = NEUTRÁL**

**Hnědá = FÁZE**

## RÁDIOVÉ RUŠENÍ

Provoz mikrovlnné trouby může způsobit rušení rádia, televize nebo podobného zařízení. Pokud dojde k rušení, může být sníženo nebo eliminováno následujícími opatřeními:

1. Vyčistěte dvířka a těsnící povrch trouby.
2. Přesměrujte přijímací anténu rádia nebo televize.
3. Přemístěte mikrovlnnou troubu s ohledem na přijímač.
4. Přesuňte mikrovlnnou troubu od přijímače.
5. Zapojte napájecí kabel počítače do jiné zásuvky tak, aby počítač a přijímač byly připojeny k různým větvím obvodu.

# PŘED VYŽÁDÁNÍM SLUŽBY

Než požádáte o servis, zkontrolujte každou položku níže:

- Zkontrolujte, zda je trouba bezpečně zapojena. Pokud ne, vytáhněte zástrčku ze zásuvky, počkejte 10 sekund a znovu ji bezpečně zapojte.
- Zkontrolujte, zda není spálená pojistka obvodu nebo zda není vypnutý hlavní jistič. Pokud se zdá, že fungují správně, otestujte zásuvku jiným spotřebičem.
- Zkontrolujte, zda je ovládací panel správně naprogramován a časovač je nastaven.
- Zkontrolujte, zda jsou dvířka bezpečně zavřená s použitím systému zámku dvířek. Pokud nejsou dvířka správně zavřená, mikrovlnná energie nebude uvnitř proudit.

POKUD NIC Z VÝŠE UVEDENÉHO NEVYŘEŠÍ PROBLÉM, OBRAŤTE SE NA KVALIFIKOVANÉHO TECHNIKA. NESNAŽTE SE TROUBU UPRAVOVAT ANI OPRAVOVAT SAMI.

## TECHNIKY VAŘENÍ

1. Opatrně připravte jídlo. Nejsilnější oblasti umístěte směrem k vnější straně nádoby.
2. Sledujte dobu přípravy pokrmu. Vařte co nejkratší dobu a podle potřeby přidejte další. Hodně převařené jídlo může kouřit nebo se i vznítit.
3. Během vaření zakryjte jídlo. Kryty zabraňují stříkání a pomáhají rovnoměrnému vaření jídla.
4. Během vaření s mikrovlnami jídlo jako kuře a hamburgery ke zrychlení vaření obraťte. Velké kusy, jako jsou pečeně, musí být otočeny alespoň jednou.
5. Jídlo jako masové kuličky uprostřed vaření promíchejte tak, aby se kuličky zdola dostaly nahoru a kuličky ze středu talíře na okraj.

## PRŮVODCE KUCHYŇSKÝM NÁČINÍM

1. Mikrovlny nemohou procházet kovem. Používejte pouze nádobí vhodné pro použití v mikrovlnných troubách. Pro přípravu pokrmů a nápojů v mikrovlnné troubě nesmí být použity kovové nádoby. Tento požadavek neplatí, pokud výrobce uvede velikost a tvar kovových nádob vhodných pro vaření v mikrovlnné troubě.
2. Mikrovlny nemohou procházet kovem, nepoužívejte proto kovové nádobí nebo talíře s kovovým okrajem.
3. Při vaření s mikrovlnami nepoužívejte výrobky z recyklovaného papíru, mohou totiž obsahovat malé úlomky kovu, které by mohly při použití v troubě způsobit jiskření i požár.

4. Doporučujeme zvolit raději kulaté nebo oválné nádoby, protože ve čtvercových nebo obdélníkových se může jídlo v rozích přehřívat.
5. Úzké pásy hliníkové fólie lze použít k zabránění přehřátí exponovaných ploch. Ale buďte opatrní, nepoužívejte příliš mnoho a udržujte vzdálenost 2,54 cm mezi fólií a stěnou.

Níže uvedený seznam je obecným návodem, který vám pomůže vybrat správné nádobí.

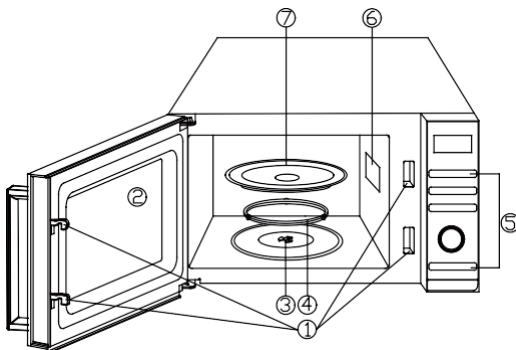
Vaření	Mikrovlnná příprava pokrmů
Tepelně odolné sklo	Ano
Sklo, které není tepelně odolné	Ne
Tepelně odolná keramika	Ano
Plastové nádobí bezpečné pro mikrovlnnou troubu	Ano
Kuchyňský papír	Ano
Kovový talíř	Ne
Kovový stojan	Ne
Hliníkové fólie a fóliové obaly	Ne

## SPECIFIKACE

Spotřeba:	230-240V/50Hz, 1200W(microwave)
Výstup	700 W
Provozní frekvence:	2450 MHz
Vnější rozměry	262 mm (V) × 452 mm (Š) × 346 mm (H)
Rozměry vnitřní části trouby:	198 mm (V) × 315 mm (Š) × 297 mm (H)
Objem trouby:	Kompaktní objem 20 litrů
Čistá hmotnost:	Approx.10.8kg

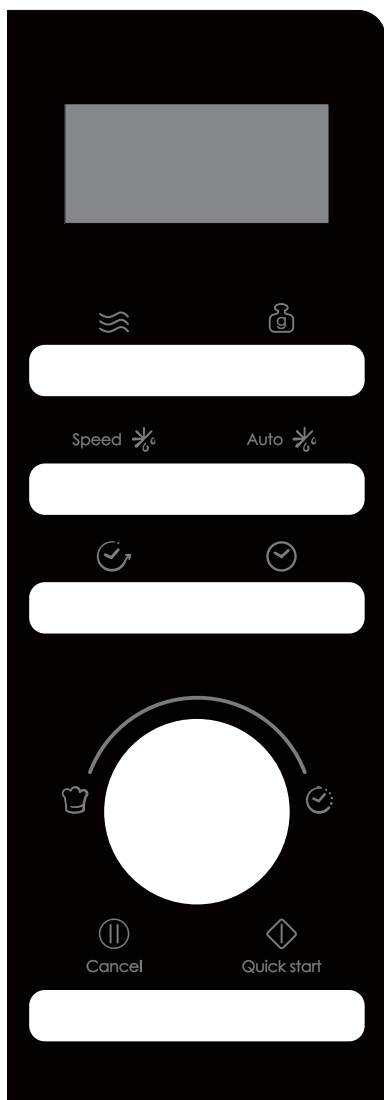
# DIAGRAM PRODUKTU

1. Systém bezpečnostního zámku dvířek
2. Okénko trouby
3. Hřídel
4. Válečkový prsteneček
5. Ovládací panel
6. Průvodce vlnami
7. Skleněný talíř  
(Neodstraňujte slídovou destičku zakrývající vlnovod)





# OVLÁDACÍ PANEĽ



## ● DISPLEJ

Zobrazuje se čas vaření, výkon, ukazatele a čas hodin.

## ● POWER

Stisknutím nastavíte úroveň výkonu mikrovlnné příprava pokrmů.

## ● NASTAVENÍ HMOTNOSTI

Stisknutím tlačítka nastavíte hmotnost jídla nebo porce.

## ● RYCHLÉ ODMRAZOVÁNÍ Speed

Stisknutím tlačítka rozmrazíte potraviny podle času.

## ● AUTOMATICKÉ ODMRAZOVÁNÍ Auto

Stisknutím tlačítka rozmrazíte potraviny podle hmotnosti.

## ● PŘEDVOLBA

Slouží k nastavení pozdějšího spuštění trouby.

## ● CLOCK

Stisknutím nastavíte čas hodin.

## ● MENU/ČAS (vytáčení)

Otočením nastavte čas a zvolte nabídky automatického vaření.

## ● PAUZA/ZRUŠIT


Jednou stiskněte pro dočasné zastavení vaření nebo dvakrát pro úplné zrušení vaření.

## ● START/RYCHLÝ START Quick start

Stisknutím tlačítka spustíte programy vaření a rozmrazování.

Jednoduše jej několikrát stiskněte, abyste nastavili dobu přípravy pokrmu a vařili okamžitě na plné úrovni výkonu.

# PROVOZNÍ POKYNY

- Při prvním zapojení trouby zazní zvukový signál a na displeji se zobrazí „1:01“ a .
- Během nastavování přerušeno na asi 30 sekund se trouba vrátí do pohotovostního režimu.
- Pokud během vaření jednou stisknete tlačítko PAUZA/ZRUŠIT, program se pozastaví, poté stisknete tlačítko START/QUICK START pro pokračování. Pokud však dvakrát stisknete tlačítko PAUSE/CANCEL, program se zruší.
- Po skončení vaření se na displeji zobrazí End a každé dvě minuty zazní zvukový signál, dokud uživatel nestiskne jakékoli tlačítko nebo neotevře dvířka.

## NASTAVENÍ HODIN

Tohle jsou hodiny s 12 nebo 24hodinovým formátem času. Čas hodin můžete nastavit na 12 nebo 24 hodin stisknutím tlačítka NAPÁJENÍ/HODINY v pohotovostním režimu.

1. V pohotovostním režimu opakovaným stisknutím tlačítka CLOCK vyberte 12- nebo 24hodinové hodiny.
2. Otáčejte voličem MENU/ČAS, dokud se nezobrazí správná hodina.
3. Stiskněte jednou tlačítko CLOCK.
4. Otáčejte voličem MENU/ČAS, dokud se nezobrazí správná minuta.
5. Stiskněte tlačítko CLOCK pro potvrzení.

**POZNÁMKA:** Během vaření můžete zkontrolovat aktuální čas stisknutím tlačítka CLOCK.

## MIKROVLNNÉ VAŘENÍ

1. V pohotovostním režimu opakovaným stisknutím tlačítka POWER zvolte úroveň výkonu.
2. Otočením voliče MENU/ČAS nastavte dobu vaření. Nejdelší doba je 95 minut.
3. Pro potvrzení stiskněte tlačítko START/RYCHLÝ START.

### Stisknutím tlačítka POWER zvolte úroveň výkonu:

Stiskněte tlačítko POWER	Výkon (displej)	Stiskněte tlačítko POWER	Výkon (displej)
Jen jednou	100% (100)	7krát	40% (40)
Dvakrát	90% (90)	8krát	30% (30)
3krát	80% (80)	9krát	20% (20)
4krát	70% (70)	10 krát	10% (10)
5krát	60% (60)	11krát	00% (00)
6krát	50% (50)		

**POZNÁMKA:** Během vaření můžete zkontrolovat aktuální úroveň výkonu stisknutím tlačítka POWER.

## EXPRESNÍ VAŘENÍ

---

Pomocí této funkce můžete troubu pohodlně naprogramovat na mikrovlnné ohřevy při 100% výkonu. V pohotovostním režimu a se zavřenými dvířky trouby opakovaně stiskněte tlačítko START/QUICK START pro nastavení doby pečení (každé stisknutí prodlouží dobu pečení o 30 sekund a až o 10 minut), trouba se okamžitě spustí na plný výkon.

## AUTOMATICKÉ ODMRAZOVÁNÍ

---

Po naprogramování hmotnosti potravin se automaticky nastaví doba rozmrazování a úroveň výkonu. Hmotnost zmrazených potravin se pohybuje od 100 g do 1800 g.

1. V pohotovostním režimu stiskněte jednou tlačítko AUTOMATICKÉ ODMRAZOVÁNÍ.
2. Opakovaným stisknutím tlačítka WEIGHT ADJUST zvolte hmotnost potravin.
3. Pro potvrzení stiskněte tlačítko START/Rychlý START.

**POZNÁMKA:** Během rozmrazování se systém pozastaví a zvukovým signálem připomene uživateli, aby potraviny otočil, a poté stisknutím tlačítka START/QUICK START pokračuje v rozmrazování.

## RYCHLÉ ROZMRAZOVÁNÍ

---

1. V pohotovostním režimu jednou stiskněte tlačítko Rychlé Rozmrazování.
2. Otočením voliče MENU/ČAS nastavte dobu rozmrazování. Nejdelší doba je 95 minut.
3. Pro potvrzení stiskněte tlačítko START/Rychlý START.

**POZNÁMKA:** Během rozmrazování se systém pozastaví a zvukovým signálem připomene uživateli, aby potraviny otočil, a poté stisknutím tlačítka START/QUICK START pokračuje v rozmrazování.

## VÍCESTUPŇOVÉ VAŘENÍ

---

Troubu lze naprogramovat až na 2 automatické sekvence pečení. Předpokládejme, že chcete nastavit následující program přípravy pokrmů:

mikrovlnné vaření



Mikrovlnná příprava pokrmů (s nižší úrovní výkonu)

1. Zadejte první program mikrovlnné přípravy pokrmů. Nestiskněte tlačítko START/QUICK START.
2. Zadejte druhý program mikrovlnné přípravy pokrmů.
3. Pro potvrzení stiskněte tlačítko START/Rychlý START.

**POZNÁMKA:** Ve vícestupňovém vaření nelze nastavit menu expresního vaření, automatického rozmrazování, rychlého rozmrazování a automatického vaření.

## AUTOMATICKÉ ČIŠTĚNÍ

---

Do trouby vložte misku s 300 g vody a zavřete dvířka.

1. V pohotovostním režimu otočte jednou voličem MENU/TIME proti směru hodinových ručiček a poté jím otáčejte, dokud se na displeji nezobrazí „CLE“ a „AUTO“.
2. Jednou stiskněte tlačítko WEIGHT ADJUST.
3. Stiskněte tlačítko START/QUICK START pro spuštění.

**POZNÁMKY:** Doba čištění je 10 minut.

## PŘEDNASTAVENÁ

---

Tato funkce umožňuje spuštění trouby v pozdějším čase.

1. V pohotovostním režimu zadejte program vaření (kromě expresního vaření, automatického rozmrazování a rychlého rozmrazování).
2. Stiskněte jednou tlačítko PRESET.
3. Otočením voliče MENU/ČAS nastavte číslici hodiny.
4. Stiskněte jednou tlačítko PRESET.
5. Otočením voliče MENU/ČAS nastavte číslici minuty.
6. Jednou stiskněte tlačítko START/RYCHLÝ START.

**POZNÁMKA:** Čas odpočítávání můžete zkontrolovat stisknutím tlačítka PRESET, pokud při zobrazení času na displeji stisknete tlačítko PAUSE/CANCEL, funkci lze zrušit.

## DĚTSKÁ POJISTKA

---

Dětská pojistka brání dětem v obsluze bez dozoru.

Zadání dětského zámku: Pokud v pohotovostním režimu neprovedete do jedné minuty žádnou operaci, trouba automaticky přejde do režimu dětské pojistky a rozsvítí se kontrolka pojistky. Ve stavu dětské pojistky jsou všechna tlačítka deaktivována.

Zrušení: V režimu dětské pojistky jednou otevřete nebo zavřete dvířka trouby, abyste program zrušili, a kontrolka pojistky zhasne.

## AUTOMATICKÉ VAŘENÍ

---

Pro následující jídlo nebo režim vaření není nutné programovat dobu vaření a výkon. Stačí uvést druh pokrmu, které chcete vařit, a také hmotnost nebo porce pokrmu.

1. V pohotovostním režimu otočte jednou voličem MENU/TIME proti směru hodinových ručiček, na displeji se zobrazí „A-01“, poté pokračujte v otáčení voliče pro výběr dalších kódů potravin.
2. Opakovaným stisknutím tlačítka WEIGHT ADJUST nastavte hmotnost jídla nebo porce.
3. Pro potvrzení stiskněte tlačítko START/RYCHLÝ START.

### Nabídky automatického vaření:

Kód	Pokrm	Hmotnost/Množství	Poznámka
A-01	Mléko/káva/čaj (200 ml/šálek, 1-3 šálky)	1 šálek	Na displeji se místo hmotnosti potraviny zobrazí počet porcí
		2 šálky	
		3 šálky	
A-02	Pizza	150 kg	
		300 kg	
		450 kg	
A-03	Brambor	100 kg	
		200 kg	
		300 kg	
A-04	Automatický ohřev	200 kg	
		300 kg	
		400 kg	
		500 kg	
		600 kg	
		700 kg	
		800 kg	
A-05	Ryby	200 kg	
		300 kg	
		400 kg	
		500 kg	
		600 kg	
A-06	pražená kukuřice	100 kg	
A-07	Polévka	200 kg	
		400 kg	
		600 kg	
A-08	Kaše	50 kg	
		100 kg	
		150 kg	
A-09	Čerstvá zelenina	200 kg	
		300 kg	
		400 kg	
		500 kg	
		600 kg	
A-10	Mražená zelenina	200 kg	
		300 kg	
		400 kg	

Kód	Pokrm	Hmotnost/Množství	Poznámka
		500 kg	
		600 kg	
A-11	Rýže	150 kg	
		300 kg	
		450 kg	
		600 kg	
A-12	Špagety/těstoviny	100 kg	
		200 kg	
		300 kg	
A-13	Mražená večeře/jídlo	250 kg	
		500 kg	
A-14	Autoclean/ (výkon by byl kapka vody plná vnitřku dutiny)		

Výsledek automatického vaření závisí na tvaru a velikosti jídla, na tom, jak chcete, aby byla některá jídla důkladně propečena a dokonce i na tom, jak dobře umístíte jídlo do trouby. Pokud shledáte, že výsledek není v žádném případě zcela uspokojivý, jemně upravte dobu přípravy pokrmu odpovídajícím způsobem.

## ČIŠTĚNÍ A PÉČE

1. Vypněte troubu a při čištění odpojte napájecí kabel ze zásuvky.
2. Udržujte vnitřek trouby čistý. Vystříknuté jídlo nebo rozlité tekutiny stačí setřít vlhkým hadříkem. Pokud je trouba velmi znečištěna, je možné použít i jemný čisticí prostředek. Nepoužívejte sprej ani jiné silné čisticí prostředky. Mohou zanechat na povrchu dvířek skvrny, šmouhy nebo ho mohou zmatnit.
3. Vnější povrch trouby by měl být vyčištěn vlhkým hadříkem. Aby nedošlo k poškození vnitřních stěn mikrovlnné trouby, dbejte na to, aby se do průduchů nedostala voda.
4. Vlhkým hadříkem často otírejte dvířka a okénko po obou stranách, těsnění dvířek a přilehlé části, abyste odstranili všechny stříkance a rozlití jídel. Nepoužívejte abrazivní čisticí prostředek.
5. Parní čistič se nepoužívá.
6. Nedovolte, aby se ovládací panel namočil. Vyčistěte měkkým, vlhkým hadříkem. Při čištění ovládacího panelu nechte otevřená dvířka trouby, aby nedošlo k náhodnému zapnutí trouby.
7. Pokud se pára nahromadí uvnitř nebo kolem dvířek trouby, otřete ji měkkým hadříkem. K tomu může dojít, pokud je mikrovlnná trouba provozována při vysoké vlhkosti. Je to běžný jev.
8. Občas je nutné vyjmout skleněný talíř a vyčistit jej. Umyjte talíř v teplé mýdlové vodě nebo v myčce.

9. Válečkový prstenec a dno trouby je třeba pravidelně čistit, aby nedocházelo k nadměrnému hluku. Jednoduše otřete dno trouby jemným čisticím prostředkem. Válečkový prstenec lze umýt v jemné mýdlové vodě nebo v myčce. Při demontáži válečkového prstence jej nezapomeňte nasadit ve správné poloze.
10. Zápach z trouby odstraníte kombinací šálky vody se šťávou a kůží jednoho citronu v misce do mikrovlnné trouby. Zapněte mikrovlnnou troubu na 5 minut. Důkladně ji otřete a vysušte měkkým hadříkem.
11. Pokud se vypálí žárovka, požádejte zákaznický servis o její výměnu.
12. Trouba by měla být pravidelně čistěna a veškeré zbytky potravin by měly být odstraněny. Neudržování trouby v čistém stavu může vést k poškození povrchu, které by mohlo nepříznivě ovlivnit životnost zařízení a způsobit nebezpečí.
13. Tento spotřebič nevyhazujte do domácího odpadu. Měl by být zlikvidován ve speciálním sběrném dvoře, který zřídila obec.

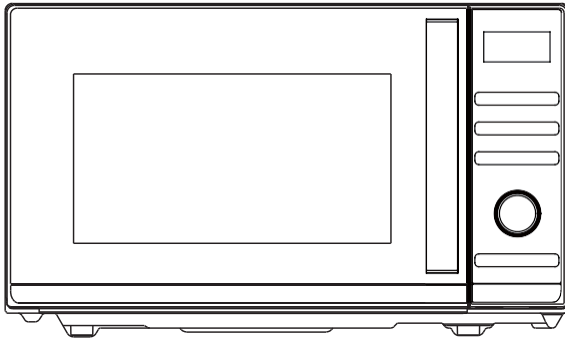


Tento spotřebič je označen v souladu s Evropskou směrnicí 2012/19/EU o odpadních elektrických a elektronických zařízeních z roku 2013, která se týká elektrických a elektronických zařízení (OEEZ). OEEZ obsahuje znečišťující látky (které mohou mít negativní dopad na životní prostředí) i základní prvky (které lze znovu použít). Je důležité, aby OEEZ prošel specifickými úpravami, a znečišťující látky tak byly správně odstraněny a zlikvidovány, a aby byly obnoveny všechny materiály. Jednotlivci mohou hrát důležitou roli při zajišťování toho, aby se OEEZ nestal zátěží pro životní prostředí. Je nezbytné dodržovat několik základních pravidel:

- OEEZ se nesmí likvidovat jako domovní odpad;
- OEEZ by měl být odvezen do vyhrazených sběrných oblastí spravovaných městskou radou nebo registrovanou společností.


V případě objemného OEEZ mohou být v mnoha zemích k dispozici sběry z domácností. Při zakoupení nového spotřebiče lze vrátit starý spotřebič prodejci, který je povinen jej jednorázově bezplatně přijmout, pokud je spotřebič obdobného typu a má stejné funkce jako zakoupený spotřebič.

# Mode d'emploi du micro-ondes



Modèle : CMWA20TNDB

Veuillez lire attentivement ces instructions avant d'installer et d'utiliser le four.

<b>Haier Europe</b> <small>CANDY</small>  <b>Haier</b>	<b>PT</b> 📞 707 200 188 210 010 773	<b>IT</b> 📞 02 400 48 200	<b>ES</b> 📞 902 100 150 943 914 150	<b>DE</b> 📞 0800 500 48 48
<b>BE</b> <b>LU</b> 📞 02 752 94 10	<b>NL</b> 📞 33 422 4000	<b>AT</b> 📞 0820 220 224	<b>GR</b> 📞 801 11 50 50 50	<b>CH</b> 📞 0848 780 780

70017948



# SOMMAIRE

<b>CONSIGNES DE SÉCURITÉ IMPORTANTES .....</b>	<b>2</b>
<b>GUIDE D'INSTALLATION .....</b>	<b>5</b>
<b>INSTRUCTIONS DE MISE À LA TERRE .....</b>	<b>5</b>
<b>INTERFERENCES RADIO .....</b>	<b>6</b>
<b>AVANT D'APPELER LE SERVICE APRES-VENTE.....</b>	<b>6</b>
<b>TECHNIQUES DE CUISSON .....</b>	<b>7</b>
<b>GUIDE DES USTENSILES DE CUISINE .....</b>	<b>7</b>
<b>CARACTÉRISTIQUES.....</b>	<b>8</b>
<b>DIAGRAMME DU PRODUIT.....</b>	<b>8</b>
<b>PANNEAU DE CONTRÔLE .....</b>	<b>9</b>
<b>INSTRUCTIONS D'EXPLOITATION.....</b>	<b>10</b>
REGLAGE DE L'HORLOGE .....	10
CUISSON AU MICRO-ONDES.....	10
CUISSON EXPRESS .....	11
DECONGELATION AUTOMATIQUE .....	11
DECONGELATION RAPIDE .....	11
CUISSON EN PLUSIEURS ETAPES.....	12
NETTOYAGE AUTOMATIQUE.....	12
PRE-REGLAGE .....	12
VERROUILLAGE ENFANT .....	13
CUISSON AUTOMATIQUE .....	13
<b>NETTOYAGE ET ENTRETIEN .....</b>	<b>15</b>

# LES PRÉCAUTIONS À PRENDRE POUR ÉVITER UN EXCÈS D'EXPOSITION AUX MICRO-ONDES

1. N'essayez pas de faire fonctionner le four avec la porte ouverte, car le fonctionnement avec la porte ouverte peut entraîner une exposition dangereuse aux micro-ondes. Il est important de ne pas forcer ou altérer les dispositifs de verrouillage de sécurité.
2. Ne placez aucun objet entre la face avant du four et la porte et ne laissez pas la saleté ou les résidus de nettoyage s'accumuler sur les surfaces d'étanchéité.
3. Ne faites pas fonctionner le four s'il est endommagé. Il est très important que la porte du four ferme correctement et qu'il n'y ait pas de dommages à la
  - a) Porte (y compris toute partie pliée),
  - b) aux charnières et aux loquets (cassés ou desserrés),
  - c) aux joints d'étanchéité de la porte et aux surfaces d'étanchéité.
4. Le four ne doit être réglé ou réparé que par du personnel d'entretien qualifié.

## CONSIGNES DE SÉCURITÉ IMPORTANTES

Lors de l'utilisation d'appareils électriques, des précautions de base doivent être prises, notamment les suivantes :

**AVERTISSEMENT !** Pour réduire les risques de brûlures, de chocs électriques, d'incendie, de blessures ou d'excès d'exposition aux micro-ondes :

1. N'utilisez cet appareil que pour l'usage auquel il est destiné, tel que décrit dans le manuel. N'utilisez pas de produits chimiques ou de vapeurs corrosives dans cet appareil. Ce type de four est spécialement conçu pour chauffer, cuire ou sécher des aliments. Il n'est pas conçu pour une utilisation industrielle ou de laboratoire.
2. Ne faites pas fonctionner le four lorsqu'il est vide.
3. N'utilisez pas cet appareil si son cordon ou sa fiche est endommagé, s'il ne fonctionne pas correctement ou s'il a été endommagé ou fait tomber. Si le câble d'alimentation est endommagé, il doit être remplacé par le fabricant, son agent d'entretien ou des personnes possédant le même type de qualification, afin d'éviter tout danger.
4. **ATTENTION !** --Ne permettez aux enfants d'utiliser le four sans surveillance que lorsque des instructions adéquates leur ont été dispensées de sorte que ces enfants soient capables d'utiliser le four de manière sûre et qu'ils aient compris les dangers impliqués par une utilisation non appropriée.
5. Pour réduire le risque d'incendie dans la cavité du four :

- Lorsque vous faites chauffer des aliments dans un récipient en plastique ou en papier, gardez un œil sur le four en raison du risque d'inflammation.
  - Retirez les attaches métalliques des sacs en papier ou en plastique avant de placer ces derniers dans le four.
  - Si vous remarquez de la fumée, éteignez ou débranchez l'appareil et garder la porte fermée afin d'étouffer toute flamme.
  - N'utilisez pas la cavité à des fins de stockage. Ne laissez pas de produits en papier, d'ustensiles de cuisine ou d'aliments dans la cavité lorsque le four n'est pas utilisé.
  - Le four à micro-ondes est destiné à chauffer des aliments et des boissons. Le séchage des aliments ou des vêtements et le chauffage des coussins chauffants, des pantoufles, des éponges, des tissus humides et autres peuvent entraîner un risque de blessure, d'inflammation ou d'incendie.
6. **ATTENTION !**--Les liquides ou autres nourritures ne doivent pas être chauffés dans des récipients fermés, car ils risqueraient d'exploser.
  7. Le réchauffement au micro-ondes de boissons peut entraîner une forte ébullition, soyez donc prudent au moment de la manipulation du récipient.
  8. Ne faites pas frire d'aliments dans le four. L'huile chaude peut endommager les pièces du four et les ustensiles de cuisine, ou même provoquer des brûlures sur la peau.
  9. Les œufs dans leur coquille et les œufs durs entiers ne doivent pas être chauffés dans le four à micro-ondes, car ils risqueraient d'exploser, même après que le micro-ondes se soit éteint.
  10. Percez les aliments à peau épaisse comme les pommes de terre, les courges entières, les pommes et les châtaignes avant de les faire cuire.
  11. Le contenu des biberons et des pots pour bébé doit être remué ou agité et la température de l'aliment doit être vérifiée avant de servir, afin d'éviter toute brûlure.
  12. Les ustensiles de cuisson peuvent devenir très chauds à cause du transfert de chaleur des aliments chauffés. Des gants de cuisine peuvent être nécessaires pour manipuler l'ustensile.
  13. Les ustensiles doivent être vérifiés pour contrôler qu'ils sont adaptés à l'utilisation au four à micro-ondes.
  14. **AVERTISSEMENT !** Il est dangereux pour toute personne autre qu'une personne formée d'effectuer des interventions de service ou de réparation qui impliquent le retrait du couvercle de protection contre l'exposition aux micro-ondes.
  15. Ce produit est un équipement ISM de classe B du groupe 2. La définition du groupe 2 qui contient tous les équipements ISM (Industriels, Scientifiques et Médicaux) dans lesquels l'énergie radiofréquence est intentionnellement générée et/ou utilisée sous forme de rayonnement électromagnétique pour le traitement des matériaux, et les équipements d'électroérosion. Pour les équipements de classe B, il s'agit d'équipements adaptés à une utilisation dans des établissements domestiques et dans des établissements directement connectés à un réseau d'alimentation électrique basse tension qui alimente des bâtiments à usage domestique.
  16. L'utilisation de cet appareil est interdite à toute personne (y compris les enfants) aux capacités physiques et mentales réduites, ou dépourvues d'expérience dans l'utilisation d'appareillages électriques, à moins qu'elles ne soient surveillées ou instruites par des personnes adultes et responsables pour leur sécurité.
  17. Surveillez les enfants afin qu'ils ne jouent pas avec l'appareil.

18. Le four à micro-ondes n'est utilisé que de manière autonome.
19. **ATTENTION !**--N'installez pas le four au-dessus d'une table de cuisson ou d'un autre appareil produisant de la chaleur. Dans le cas contraire, il risquerait d'être endommagé et la garantie serait annulée.
20. Le four à micro-ondes ne doit pas être installé dans une armoire.
21. **AVERTISSEMENT !**: l'appareil et ses parties accessibles chauffent pendant l'utilisation.
22. **AVERTISSEMENT !**--Les pièces accessibles peuvent devenir très chaudes pendant l'utilisation. Les jeunes enfants doivent être tenus à l'écart.
23. Pendant l'utilisation, les appareils deviennent chauds. Il faut veiller à éviter de toucher les éléments chauffants à l'intérieur du four, pour les cuisinières et les fours.
24. La température des surfaces accessibles peut monter très haut lorsque l'appareil fonctionne.
25. L'appareil doit être placé contre un mur.
26. L'appareil ne doit pas être utilisé par des enfants ou des personnes ayant des capacités physiques, sensorielles ou mentales réduites, ou manquant d'expérience et de connaissances, sauf s'ils sont surveillés ou qu'ils ont été instruits sur le fonctionnement de l'appareil.
27. **AVERTISSEMENT !**--Si la porte ou les joints de porte sont endommagés, le four ne doit pas être utilisé tant qu'il n'a pas été réparé par une personne qualifiée.
28. Les appareils ne sont pas destinés à être utilisés au moyen d'une minuterie externe ou d'un système de commande à distance séparé.
29. Le four à micro-ondes est réservé à un usage domestique et non à un usage commercial.
30. Ne jamais retirer le calage d'écartement du mur à l'arrière ou sur les côtés, car il assure un minimum de circulation de l'air.
31. Veuillez sécuriser le plateau tournant avant de déplacer l'appareil pour éviter d'abîmer l'appareil.
32. **ATTENTION !**--Il est dangereux de faire réparer ou d'entretenir l'appareil par une personne non qualifiée ou non experte, car dans ces circonstances, il faut retirer le couvercle qui assure la protection contre les radiations micro-ondes. Cela s'applique également au changement du cordon d'alimentation ou de l'éclairage. Dans ce cas, envoyez l'appareil à notre centre d'assistance.
33. Le four à micro-ondes est uniquement destiné à la décongélation, à la cuisson et à la cuisson à la vapeur d'aliments.
34. Utilisez des gants de cuisine si vous devez retirer des aliments chauds.
35. Attention ! De la vapeur s'échappe lorsque vous retirez le couvercle ou le film du récipient.
36. Cet appareil peut être utilisé par des enfants âgés de 8 ans et plus, par des personnes dont les capacités physiques, sensorielles ou mentales sont réduites ou par des personnes dénuées d'expérience et de connaissances, mais qui ont été informées sur la manière d'utiliser l'appareil en toute sécurité, si elles comprennent les risques impliqués. Les enfants ne doivent pas jouer avec l'appareil. Le nettoyage et l'entretien par l'utilisateur ne doivent pas être effectués par des enfants, sauf s'ils sont âgés de 8 ans et plus et qu'ils sont surveillés.
37. Si de la fumée est émise, éteignez ou débranchez l'appareil et gardez la porte fermée afin d'étouffer les flammes.

# GUIDE D'INSTALLATION

1. Veillez à ce que tous les matériaux d'emballage soient extraits de l'intérieur de la porte.
2. **AVERTISSEMENT !**--Vérifiez que le four n'est pas endommagé, par exemple que la porte n'est pas mal alignée ou déformée, que les joints de porte et la surface d'étanchéité ne soient pas endommagés, que les charnières et les loquets de la porte ne soient pas cassés ou desserrés et que l'intérieur de la cavité ou la porte ne soient pas bosselés. En cas de dommage, ne faites pas fonctionner le four et contactez le personnel qualifié du service après-vente.
3. Ce four à micro-ondes doit être installé sur une surface plane et stable qui supporte son poids et les aliments les plus lourds susceptibles d'être cuits à l'intérieur.
4. N'installez pas le four dans un emplacement où de la chaleur et de l'humidité sont susceptibles d'être générées, ni près de matériaux combustibles.
5. Pour un fonctionnement correct, le four doit avoir un débit d'air suffisant. Prévoyez 20 cm d'espace au-dessus du four, 10 cm à l'arrière et 5 cm de chaque côté. Ne couvrez ni ne bloquez aucune ouverture de l'appareil. Ne démontez pas les pieds de l'appareil.
6. Ne faites pas fonctionner le four si le plateau en verre, le support tournant et l'arbre ne sont pas en bonne position.
7. Assurez-vous que le cordon d'alimentation n'est pas endommagé et qu'il ne passe pas sous le four ou sur une surface chaude ou coupante.
8. La prise doit être facilement accessible afin de pouvoir débrancher l'appareil en cas d'urgence.
9. N'utilisez pas le four à l'extérieur.

## INSTRUCTIONS DE MISE À LA TERRE

Cet appareil doit être mis à la terre. Ce four est équipé d'un cordon ayant un fil de terre avec une prise de terre. Il doit être branché dans une prise murale correctement installée et avec mise à la terre. En cas de court-circuit électrique, la mise à la terre réduit le risque de choc électrique en fournissant un fil de fuite pour le courant électrique. Il est recommandé de prévoir un circuit séparé ne desservant que le four. L'utilisation d'un courant de haute tension est dangereuse et peut entraîner un incendie ou un autre accident provoquant des dommages au four.

**AVERTISSEMENT !** Une utilisation incorrecte de la prise de terre peut entraîner un risque de choc électrique.

Remarque :

1. Si vous avez des questions concernant la mise à la terre ou les instructions électriques, consultez un électricien qualifié ou une personne du service d'assistance.

2. Ni le fabricant ni le revendeur ne peuvent être tenus pour responsables des dommages causés au four ou des blessures corporelles résultant du non-respect des procédures de raccordement électrique.

Les fils de ce câble principal sont colorés selon le code suivant :

**Vert et jaune = TERRE**

**Bleu = NEUTRE**

**Marron = SOUS TENSION**

## INTERFERENCES RADIO

Le fonctionnement du four à micro-ondes peut provoquer des interférences avec votre radio, votre télévision ou tout autre équipement semblable. Lorsqu'il y a interférence, elle peut être réduite ou éliminée en prenant les mesures suivantes :

1. Nettoyez la porte et la surface d'étanchéité du four.
2. Réorientez l'antenne de réception de la radio ou de la télévision.
3. Déplacez le four à micro-ondes par rapport au récepteur.
4. Éloignez le four à micro-ondes du récepteur.
5. Branchez le four à micro-ondes dans une prise différente de sorte que le four à micro-ondes et le récepteur soient sur des circuits différents.

## AVANT D'APPELER LE SERVICE APRES-VENTE

Avant de vous adresser au service d'assistance, veuillez vérifier les points suivants :

- Vérifiez que le four est bien branché. Si ce n'est pas le cas, débranchez la fiche de la prise, attendez 10 secondes, et rebranchez-la en toute sécurité.
- Vérifiez si un fusible ou le disjoncteur principal a sauté. S'ils semblent fonctionner correctement, testez la prise avec un autre appareil.
- Vérifiez que le panneau de commande est correctement programmé et que la minuterie est réglée.
- Vérifiez que la porte est bien fermée, après avoir engagé le système de verrouillage de la porte. Si la porte n'est pas correctement fermée, l'énergie des micro-ondes ne circulera pas à l'intérieur.

SI AUCUN DES ÉLÉMENTS CI-DESSUS NE PERMET DE CORRIGER LA SITUATION, ALORS CONTACTEZ UN TECHNICIEN QUALIFIÉ. N'ESSAYEZ PAS DE RÉGLER OU DE RÉPARER LE FOUR PAR VOUS-MÊME.

# TECHNIQUES DE CUISSON

1. Disposez la nourriture avec soin. Placez les morceaux les plus épais vers l'extérieur du plat.
2. Regardez le temps de cuisson. Cuisinez pendant la durée la plus courte indiquée et prolongez si nécessaire. Les aliments excessivement cuits peuvent faire de la fumée ou s'enflammer.
3. Couvrez les aliments pendant la cuisson. Les couvercles empêchent les éclaboussures et aident les aliments à cuire uniformément.
4. Retournez les aliments une fois pendant la cuisson au micro-ondes, pour en accélérer la cuisson s'il s'agit d'aliments tels que du poulet ou des hamburgers. Les gros aliments comme les rôtis doivent être retournés au moins une fois.
5. Réorganisez les aliments, tels que les boulettes de viande, à mi-cuisson, en plaçant les morceaux du dessous dessus et vice versa et les morceaux du centre du plat vers l'extérieur et vice versa.

# GUIDE DES USTENSILES DE CUISINE

1. Les micro-ondes ne peuvent pas contenir de métal. N'utilisez que des ustensiles adaptés aux fours à micro-ondes. Les récipients métalliques pour les aliments et les boissons ne sont pas autorisés pendant la cuisson au micro-ondes. Cette exigence n'est pas applicable si le producteur précise la taille et la forme des récipients métalliques adaptés à la cuisson au micro-ondes.
2. Le micro-ondes ne peut pas pénétrer dans le métal, c'est pourquoi les ustensiles en métal ou les plats avec des garnitures métalliques ne doivent pas être utilisés.
3. N'utilisez pas de produits en papier recyclé pour la cuisson au micro-ondes, car ils peuvent contenir de petits fragments de métal qui peuvent provoquer des étincelles et/ou des incendies.
4. Les plats ronds ou ovales plutôt que carrés ou oblongs sont préférés, car dans les coins la nourriture a tendance à trop cuire.
5. Des bandes étroites de papier d'aluminium peuvent être utilisées pour éviter la cuisson excessive des morceaux les plus exposés. Mais attention, n'en utilisez pas trop et gardez une distance de 2,5 cm entre la feuille et la paroi de la cavité.

La liste ci-dessous est un guide général pour vous aider à choisir les bons ustensiles.

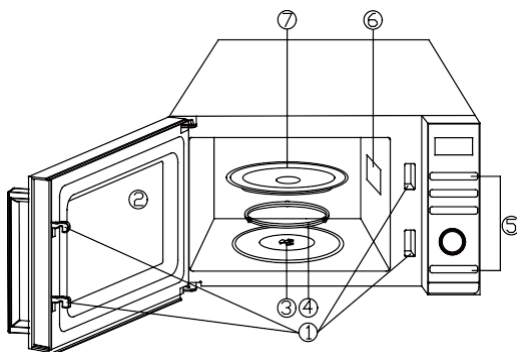
Supports de cuisson	Cuisson aux micro-ondes
Verre résistant à la chaleur	Oui
Verre non résistant à la chaleur	Non
Céramiques résistantes à la chaleur	Oui
Plat en plastique pour micro-ondes	Oui
Papier de cuisine	Oui
Plateau en métal	Non
Étagère en métal	Non
Feuilles et récipients en aluminium	Non

## CARACTÉRISTIQUES

Consommation d'énergie	230-240V/50Hz, 1200W(microwave)
Rendement	700 W
Fréquence de fonctionnement	2450MHz
Dimensions externes	262mm(H)×452mm(W)×346mm(D)
Dimensions de la cavité du four	198mm(H)×315mm(W)×297mm(D)
Capacité du four	Compact 20Litres
Poids net	Environ 10,8 kg

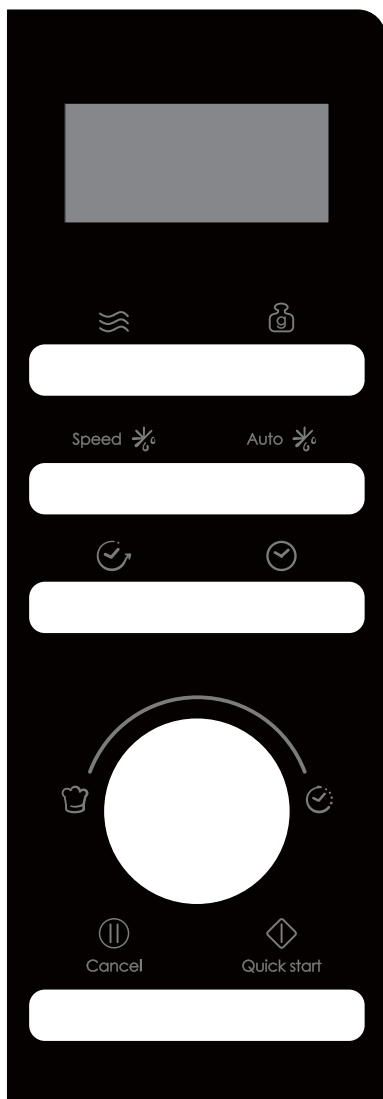
## DIAGRAMME DU PRODUIT

1. Système de verrouillage de sécurité de la porte
  2. Fenêtre du four
  3. Arbre
  4. Anneau tournant
  5. Panneau de commande
  6. guide à ondes
  7. Plateau en verre
- (Veuillez ne pas retirer la plaque de mica qui recouvre le guide d'ondes)





# PANNEAU DE CONTRÔLE



## ● AFFICHAGE

Le temps de cuisson, la puissance, les indicateurs et l'heure de l'horloge sont affichés.

## ● PUISSANCE

Appuyez sur cette touche pour régler le niveau de puissance de cuisson au micro-ondes.

## ● RÉGLAGE DU POIDS

Appuyez pour régler le poids des aliments ou les portions.

## ● DÉCONGÉLATION RAPIDE Speed

Appuyez sur cette touche pour décongeler les aliments en fonction du temps.

## ● DÉCONGÉLATION AUTOMATIQUE Auto

Appuyez sur cette touche pour décongeler les aliments en fonction de leur poids.

## ● PRESET

Permet de régler le four pour qu'il se mette en marche à une heure ultérieure.

## ● CLOCK

Appuyez sur cette touche pour régler l'heure.

## ● MENU/TIME (cadran)

Tournez pour régler la durée et sélectionner les menus de cuisson automatique.


## ● PAUSE/CANCEL Cancel

Appuyez une fois pour arrêter temporairement la cuisson, ou deux fois pour l'annuler complètement.

## ● DÉMARRAGE/ DÉMARRAGE RAPIDE Quick start

Appuyez sur cette touche pour lancer les programmes de cuisson et de décongélation. Il suffit d'appuyer plusieurs fois sur ce bouton pour régler le temps de cuisson et cuire immédiatement à pleine puissance.

# INSTRUCTIONS D'EXPLOITATION

- Lorsque le four est branché pour la première fois, un signal sonore retentit et l'écran affiche «  » et « 1:01 ».
- En cours de réglage, en cas d'arrêt d'au moins 30 secondes, le four revient en mode veille.
- Pendant la cuisson, si vous appuyez une fois sur la touche PAUSE/CANCEL, le programme sera mis en pause, puis appuyez sur la touche START/QUICK START pour reprendre. Mais si vous appuyez deux fois sur le bouton PAUSE/CANCEL, le programme sera annulé.
- Après la fin de la cuisson, l'écran affiche End et un signal sonore retentit toutes les deux minutes jusqu'à ce que l'utilisateur appuie sur un bouton ou ouvre la porte.

## REGLAGE DE L'HORLOGE

---

Il s'agit d'une horloge de 12 ou 24 heures. Vous pouvez choisir de régler l'heure en 12 ou 24 heures en appuyant sur le bouton PUISSANCE/HORLOGE en mode veille.

1. En mode veille, appuyez plusieurs fois sur la touche CLOCK pour sélectionner l'horloge 12 ou 24 heures.
2. Tournez le bouton MENU/TIME jusqu'à ce que l'heure correcte s'affiche.
3. Appuyez une fois sur le bouton CLOCK.
4. Tournez le bouton MENU/TIME jusqu'à ce que la minute correcte soit affichée.
5. Appuyez sur le bouton CLOCK pour confirmer.

**REMARQUE :** Pendant la cuisson, vous pouvez vérifier l'heure actuelle en appuyant sur la touche CLOCK.

## CUISSON AU MICRO-ONDES

---

1. En mode veille, appuyez plusieurs fois sur la touche POWER pour sélectionner le niveau de puissance.
2. Tournez la molette MENU/TIME pour régler le temps de cuisson. La durée la plus longue est 95 minutes.
3. Appuyez sur le bouton MISE EN MARCHÉ/MISE EN MARCHÉ RAPIDE pour confirmer.

## Sélectionnez le niveau de puissance en appuyant sur le bouton **POWER** :

Appuyez sur le bouton d'alimentation	Puissance (Écran)	Appuyez sur le bouton d'alimentation	Puissance (Écran)
Une fois	100% (100)	7 fois	40% (40)
Deux fois	90% (90)	8 fois	30% (30)
3 fois	80% (80)	9 fois	20% (20)
4 fois	70% (70)	10 fois	10% (10)
5 fois	60% (60)	11 fois	00% (00)
6 fois	50% (50)		

**REMARQUE** : Pendant la cuisson, vous pouvez vérifier le niveau de puissance de cuisson actuel en appuyant sur la touche **POWER**.

## **CUISSON EXPRESS**

---

Utilisez cette fonction pour programmer le four de façon à ce que les aliments soient cuits au micro-ondes à 100 % de leur puissance. En mode veille et la porte du four étant fermée, appuyez plusieurs fois sur la touche **START/QUICK START** pour régler le temps de cuisson (chaque pression augmente de 30 secondes, et jusqu'à 10 minutes), le four démarre immédiatement à pleine puissance.

## **DECONGELATION AUTOMATIQUE**

---

Le temps de décongélation et le niveau de puissance sont automatiquement réglés une fois que le poids des aliments est programmé. Le poids des aliments congelés varie de 100 g à 1800 g.

1. En mode veille, appuyez une fois sur la touche **AUTO DEFROST**.
2. Appuyez sur la touche **WEIGHT ADJUST** à plusieurs reprises pour sélectionner le poids de l'aliment.
3. Appuyez sur le bouton **MISE EN MARCHÉ/MISE EN MARCHÉ RAPIDE** pour confirmer.

**REMARQUE** : Pendant le dégivrage, le système s'arrête et émet un son pour rappeler à l'utilisateur de retourner les aliments, puis il appuie sur la touche **START/QUICK START** pour reprendre le dégivrage.

## **DECONGELATION RAPIDE**

---

1. En mode veille, appuyez une fois sur la touche **DÉCONGÉLATION RAPIDE**.
2. Tournez la molette **MENU/TIME** pour régler le temps de dégivrage. La durée la plus longue est 95 minutes.
3. Appuyez sur le bouton **MISE EN MARCHÉ/MISE EN MARCHÉ RAPIDE** pour confirmer.

**REMARQUE** : Pendant le dégivrage, le système fait une pause et émet un son pour rappeler à l'utilisateur de retourner les aliments, puis il appuie sur la touche START/QUICK START pour reprendre le dégivrage.

## CUISSON EN PLUSIEURS ETAPES

---

Votre four peut être programmé pour un maximum de 2 séquences de cuisson automatiques. Supposons que vous vouliez définir le programme de cuisson suivant :  
Cuisson au micro-ondes



cuisson par micro-ondes (avec un niveau de puissance plus faible)

1. Saisissez le premier programme de cuisson au micro-ondes. N'appuyez pas sur la touche START/QUICK START.
2. Saisissez le deuxième programme de cuisson du micro-ondes.
3. Appuyez sur le bouton MISE EN MARCHÉ/MISE EN MARCHÉ RAPIDE pour confirmer.

**REMARQUE** : Les menus de cuisson express, de décongélation automatique, de décongélation rapide et de cuisson automatique ne peuvent pas être réglés en cas de cuisson en plusieurs étapes.

## NETTOYAGE AUTOMATIQUE

---

Mettez un bol de 300 g d'eau dans le four et fermez la porte.

1. En mode veille, tournez la molette MENU/TIME une fois dans le sens inverse des aiguilles d'une montre, puis tournez la molette jusqu'à ce que l'écran affiche « CLE » et « AUTO ».
2. Appuyez une fois sur le bouton WEIGHT ADJUST.
3. Appuyez sur la touche START/QUICK START pour commencer.

**REMARQUE** : Le temps de nettoyage est de 10 minutes.

## PRE-REGLAGE

---

Cette fonction permet de faire démarrer le four à une heure ultérieure.

1. En mode veille, saisissez un programme de cuisson (sauf pour la cuisson express, le dégivrage automatique et le dégivrage rapide).
2. Appuyez une fois sur la touche PRESET.
3. Tournez le bouton MENU/TIME pour régler le chiffre des heures.
4. Appuyez une fois sur la touche PRESET.
5. Tournez le bouton MENU/TIME pour régler le chiffre des minutes.
6. Appuyez une fois sur le bouton MISE EN MARCHÉ/MISE EN MARCHÉ RAPIDE.

**REMARQUE** : Vous pouvez vérifier le temps du compte à rebours en appuyant sur le bouton PRESET. Si vous appuyez sur le bouton PAUSE/CANCEL lorsque l'écran affiche l'heure, la fonction peut être annulée.

## VERROUILLAGE ENFANT

---

La sécurité enfant empêche toute utilisation non surveillée par des enfants.

Pour entrer dans la sécurité enfant : En mode veille, si aucune opération n'est effectuée dans un délai d'une minute, le four passe automatiquement en mode sécurité enfants et le témoin de verrouillage s'allume. À l'état verrouillé, tous les boutons sont désactivés.

Pour annuler : En mode de verrouillage enfant, ouvrez ou fermez la porte du four une fois pour annuler le programme et le voyant de verrouillage s'éteint.

## CUISSON AUTOMATIQUE

---

Pour l'aliment ou le mode de cuisson suivant, il n'est pas nécessaire de programmer le temps et la puissance de cuisson. Il suffit d'indiquer le type d'aliments que vous souhaitez cuisiner, ainsi que le poids ou les portions de cet aliment.

1. En mode veille, tournez la molette MENU/TIME une fois dans le sens inverse des aiguilles d'une montre, l'écran affiche « A-01 », puis continuez à tourner la molette pour sélectionner d'autres codes alimentaires.
2. Appuyez plusieurs fois sur la touche WEIGHT ADJUST pour régler le poids des aliments ou les portions.
3. Appuyez sur le bouton MISE EN MARCHÉ/MISE EN MARCHÉ RAPIDE pour confirmer.

### Menus de cuisson automatique :

Code	Aliment	Poids/Quantité	Remarques
A-01	Lait/Café/Thé (200 ml/tasse, 1-3 tasses)	1 tasse	L'écran affiche le nombre de portions au lieu du poids de l'aliment
		2 tasses	
		3 tasses	
A-02	Pizza	150 g	
		300 g	
		450 g	
A-03	Pomme de terre	100 g	
		200 g	
		300 g	
A-04	RÉCHAUFFAGE AUTOMATIQUE	200 g	
		300 g	
		400 g	
		500 g	
		600 g	
		700 g	
		800 g	
A-05	Poisson	200 g	

Code	Aliment	Poids/Quantité	Remarques
		300 g	
		400 g	
		500 g	
		600 g	
A-06	Popcorns	100 g	
A-07	Soupe	200 g	
		400 g	
		600 g	
A-08	Porridge	50 g	
		100 g	
		150 g	
A-09	Légumes frais	200 g	
		300 g	
		400 g	
		500 g	
		600 g	
A-10	Légumes surgelés	200 g	
		300 g	
		400 g	
		500 g	
		600 g	
A-11	Riz	150 g	
		300 g	
		450 g	
		600 g	
A-12	Spaghetti/Pasta	100 g	
		200 g	
		300 g	
A-13	Dîner/repas surgelé	250 g	
		500 g	
A-14	Autoclean/ (la performance serait la goutte d'eau remplissant l'intérieur de la cavité)		

Le résultat de la cuisson automatique dépend de facteurs tels que la forme et la taille de l'aliment, de votre préférence personnelle quant à la cuisson de certains aliments, ainsi que de la façon dont vous avez placé les aliments dans le four. Si vous trouvez que de toute façon le résultat n'est pas parfaitement satisfaisant, veuillez régler la durée de cuisson en conséquence.

# NETTOYAGE ET ENTRETIEN

1. Éteignez le four et débranchez son cordon d'alimentation du mur lors du nettoyage du four.
2. Gardez l'intérieur du four propre. Lorsque des éclaboussures d'aliments ou des liquides renversés adhèrent aux parois du four, essuyez-les avec un chiffon humide. Utilisez un détergent doux si le four est très sale. Évitez d'utiliser des sprays ou d'autres nettoyants agressifs. Ils risquent de tacher, de laisser des traces ou de ternir la surface de la porte.
3. L'extérieur du four doit être nettoyé avec un chiffon humide. Pour éviter d'endommager les pièces de fonctionnement à l'intérieur du four, il ne faut pas laisser l'eau s'infiltrer dans les ouvertures de ventilation.
4. Essuyez fréquemment la porte et la fenêtre des deux côtés, les joints de la porte et les parties adjacentes avec un chiffon humide pour éliminer tout déversement ou éclaboussure. N'utilisez pas de nettoyant abrasif.
5. Les nettoyeurs à vapeur ne doivent pas être utilisés.
6. Ne laissez pas le panneau de commande mouillé. Nettoyez-le avec un chiffon doux et humide. Lorsque vous nettoyez le panneau de commande, laissez la porte du four ouverte, pour éviter que le four ne s'allume accidentellement.
7. Si de la vapeur s'accumule à l'intérieur ou à l'extérieur de la porte du four, essuyez-la avec un chiffon doux. Cela peut se produire lorsque le four à micro-ondes est utilisé dans des conditions d'humidité élevée. Et c'est normal.
8. Il est parfois utile de retirer le plateau en verre pour le nettoyer. Lavez le plateau dans de l'eau chaude et savonneuse ou dans un lave-vaisselle.
9. L'anneau tournant et le bas de la cavité du four doivent être nettoyés régulièrement pour éviter tout bruit excessif. Il suffit d'essuyer la surface inférieure du four avec un détergent doux. L'anneau tournant peut être lavé dans de l'eau douce et savonneuse ou dans un lave-vaisselle. Après avoir retiré l'anneau tournant, veillez à le réinstaller dans la bonne position.
10. Éliminez les odeurs de votre four en posant une tasse d'eau mélangée au jus et à la peau d'un citron dans le micro-ondes. Faites fonctionner votre micro-ondes pendant 5 minutes. Essuyez et séchez avec un chiffon doux.
11. Si l'ampoule grille, veuillez contacter le service client pour la faire remplacer.
12. Le four doit être nettoyé régulièrement et tout dépôt de nourriture doit être éliminé. Si le four n'est pas maintenu propre, cela peut détériorer les surfaces de l'appareil, nuire à sa durée de vie et éventuellement créer une situation dangereuse.
13. Veuillez ne pas jeter cet appareil dans les ordures ménagères ; il doit être déposé dans un centre de tri spécialement prévu par votre municipalité.



Cet appareil est conforme à la directive Européenne 2012/19/UE relative aux règlements 2013 sur les Déchets d'équipements électriques et électroniques (DEEE) (Waste Electrical and Electronic Equipment - WEEE). La catégorie DEEE recouvre à la fois les substances polluantes (pouvant avoir des retombées négatives sur l'environnement) et les composants de base (pouvant être réutilisés). Il est important que les DEEE subissent des traitements spécifiques pour éliminer et jeter correctement les polluants et récupérer tous les

matériaux. Chaque individu peut jouer un rôle important en veillant à ce que les produits DEEE ne deviennent pas un problème pour l'environnement. Pour cela, il est essentiel de suivre quelques règles de base :

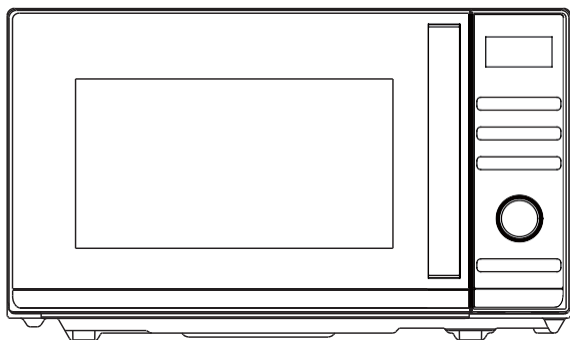
- les DEEE ne doivent pas être traités comme des déchets ménagers ;
- les DEEE doivent être amenés à des zones de collecte spécifiques gérées par le conseil municipal ou une société dûment enregistrée.

Dans de nombreux pays, des décharges domestiques peuvent être disponibles pour de grands DEEE. Lorsque vous achetez un nouvel appareil, l'ancien peut être retourné au détaillant qui est en devoir de le récupérer sans frais, à titre exceptionnel, tant que l'équipement est de type équivalent et a les mêmes fonctions que l'équipement fourni.





# Mikrohullámú sütő utasítások



Modell: CMWA20TNDB

Kérjük, hogy a sütő telepítése és üzemeltetése előtt figyelmesen olvassa el ezeket az utasításokat.

<b>Haier Europe</b> <small>Candy Haier</small>	<b>PT</b> 707 200 188 210 010 773	<b>IT</b> 02 400 48 200	<b>ES</b> 902 100 150 943 914 150	<b>DE</b> 0800 500 48 48
<b>BE</b> <b>LU</b>	<b>NL</b>	<b>AT</b>	<b>GR</b>	<b>CH</b>
02 752 94 10	33 422 4000	0820 220 224	801 11 50 50 50	0848 780 780

70017948

# TARTALOM

<b>FONTOS BIZTONSÁGI UTASÍTÁSOK.....</b>	<b>2</b>
<b>TELEPÍTÉSI ÚTMUTATÓ.....</b>	<b>5</b>
<b>FÖLDELÉSI UTASÍTÁSOK.....</b>	<b>5</b>
<b>RÁDIÓZAVAR.....</b>	<b>6</b>
<b>A SZERVIZ IGÉNYBEVÉTELE ELŐTT.....</b>	<b>6</b>
<b>FŐZÉSI TECHNIKÁK.....</b>	<b>6</b>
<b>FŐZŐESZKÖZÖK ÚTMUTATÓ.....</b>	<b>7</b>
<b>SPECIFIKÁCIÓK.....</b>	<b>7</b>
<b>TERMÉKDIAGRAM.....</b>	<b>8</b>
<b>VEZÉRLŐPANEL.....</b>	<b>9</b>
<b>HASZNÁLATI UTASÍTÁSOK.....</b>	<b>10</b>
AZ ÓRA BEÁLLÍTÁSA.....	10
FŐZÉS MIKROHULLÁMMAL.....	10
EXPRESSZ FŐZÉS.....	11
AUTOMATIKUS LEOLVASZTÁS.....	11
GYORS LEOLVASZTÁS.....	12
TÖBBLÉPCSŐS FŐZÉS.....	12
AUTOMATIKUS TISZTÍTÁS.....	12
ELŐRE BEÁLLÍTOTT TÉTEL.....	12
GYEREKZÁR.....	13
AUTOMATIKUS FŐZÉS.....	13
<b>TISZTÍTÁS ÉS ÁPOLÁS.....</b>	<b>15</b>

# ÓVINTÉZKEDÉSEK A TÚLZOTT MIKROHULLÁMÚ ENERGIÁNAK VALÓ ESETLEGES KITETTSÉG ELKERÜLÉSE ÉRDEKÉBEN

1. Ne próbálja meg ezt a sütőt nyitott ajtóval üzemeltetni, mivel a nyitott ajtós működés káros mikrohullámú energiának való kitettséget eredményezhet. Fontos, hogy a biztonsági reteszelékeket nem szabad meghiusítani vagy megbabrálni.
2. Ne helyezzen semmilyen tárgyat a sütő elülső felülete és az ajtó közé, és ne hagyja, hogy szennyeződés vagy tisztítószer-maradék gyűljön össze a tömítőfelületeken.
3. Ne működtesse a sütőt, ha az sérült. Nagyon fontos, hogy a sütő ajtaja megfelelően záródjon, és ne sérüljön meg a
  - a) Ajtó (beleértve a hajlított ajtót is),
  - b) Pántok és reteszek (törött vagy meglazult),
  - c) Ajtótömítések és tömítőfelületek.
4. A sütőt csak szakképzett szervizszemélyzet állíthatja be vagy javíthatja.

## FONTOS BIZTONSÁGI UTASÍTÁSOK

Az elektromos készülék használatakor alapvető biztonsági óvintézkedéseket kell betartani, beleértve a következőket:

**FIGYELEM!**--Az égési sérülések, áramütés, tűz, személyi sérülés vagy túlzott mikrohullámú energiának való kitettség kockázatának csökkentése érdekében:

1. A készüléket csak a használati útmutatóban leírt rendeltetésszerű használatra használja. Ne használjon maró hatású vegyszereket vagy gőzöket ebben a készülékben. Ezt a sütőtípust kifejezetten élelmiszerek melegítésére, főzésére vagy szárítására tervezték. Nem ipari vagy laboratóriumi használatra tervezték.
2. Ne működtesse a sütőt üres állapotban.
3. Ne működtesse a készüléket, ha sérült a vezeték vagy a dugó, ha nem működik megfelelően, vagy ha megsérült vagy leesett. Ha a tápkábel megsérül, a kockázatok elkerülése végett a gyártó által megadott márkaszerviznek vagy megfelelően képzett szakembernek kell gondoskodnia a cseréjéről.
4. **FIGYELEM!**--Kizárólag akkor engedje meg a gyermekeknek, hogy felügyelet nélkül használják a sütőt, ha megfelelő utasításokat kaptak, hogy a gyermek képes legyen a sütő biztonságos használatára, és megérti a helytelen használat veszélyeit.
5. A sütőtérben keletkező tűz veszélyének csökkentése érdekében:

- Ha műanyag vagy papírtartályban lévő ételt melegít, tartsa szemmel a sütőt a gyulladás lehetősége miatt.
  - Távolítsa el a drótkötegeket a papír- vagy műanyag zacskókból, mielőtt a zacskót a sütőbe helyezi.
  - Ha füstöt észlel, kapcsolja ki vagy húzza ki a készüléket, és tartsa zárva az ajtót, hogy elnyomja a lángokat.
  - Ne használja az üreget tárolási célokra. Ne hagyjon papírárut, főzőedényeket vagy ételt az üregben, amikor nem használja.
  - A mikrohullámú sütő ételek és italok melegítésére szolgál. Az ételek vagy ruhák szárítása és a melegítőpárnák, papucskok, szivacsok, nedves ruhák és hasonlók melegítése sérülés, gyulladás vagy tűzveszélyt okozhat.
6. **FIGYELEM!**--Folyadékot vagy más élelmiszert nem szabad zárt tartályokban melegíteni, mivel azok robbanásveszélyesek.
  7. Az italok mikrohullámú melegítése késleltetett forráshoz vezethet, ezért az edény kezelésénél óvatosan kell eljárni.
  8. Ne süsse az ételt a sütőben. A forró olaj károsíthatja a sütő alkatrészeit és eszközeit, és akár bőrgégést is okozhat.
  9. A héjas tojásokat és az egész keményre főtt tojásokat nem szabad mikrohullámú sütőben melegíteni, mivel a mikrohullámú melegítés befejezése után is fellobbanhatnak.
  10. Főzés előtt szűrje át a nehéz héjú ételeket, például a burgonyát, az egész tököt, az almát és a gesztenyét.
  11. A cumisüvegek és bébiételes üvegek tartalmát meg kell keverni vagy fel kell rázni, és a tálalás előtt ellenőrizni kell a hőmérsékletet, hogy elkerüljük az égési sérüléseket.
  12. A főzőedények felforrósodhatnak a felhevített ételek által átadott hő miatt. Az edények kezeléséhez szükség lehet lábtörlőre.
  13. Az edényeket ellenőrizni kell, hogy alkalmasak-e a mikrohullámú sütőben való használatra.
  14. **FIGYELEM!**--Veszélyes, ha képzett személyen kívül bárki más olyan szerviz- vagy javítási műveletet végez, amely a mikrohullámú energiának való kitétség elleni védelmet nyújtó burkolat eltávolításával jár.
  15. Ez a termék a 2. csoport B. osztályú ISM-berendezése. A 2. csoport meghatározása, amely minden olyan ISM (ipari, tudományos és orvosi) berendezést tartalmaz, amelyben szándékosan rádiófrekvenciás energiát állítanak elő és/vagy használnak elektromágneses sugárzás formájában anyagkezelésre, valamint szikraeróziós berendezéseket. A B. osztályba tartozó berendezések olyan berendezések, amelyek alkalmasak háztartási célú létesítményekben és olyan létesítményekben való használatra, amelyek közvetlenül csatlakoznak a háztartási célú épületeket ellátó kifesztültségű áramellátó hálózathoz.
  16. A készüléket nem használhatják csökkent fizikai, érzékszervi vagy mentális képességekkel rendelkező személyek (ideértve a gyerekeket), illetve a megfelelő tapasztalattal vagy tudással nem rendelkező személyek, amennyiben a biztonságukért felelő személy nem felügyeli a készülék használatát és szolgál útmutatással.
  17. Felügyelje a gyermekeket, hogy azok ne játsszanak a készülékkel.
  18. A mikrohullámú sütő csak szabadon álló készülékben használható.
  19. **FIGYELEM!**--Ne telepítse a sütőt tűzhely vagy más hőtermelő készülék fölé. ha telepítve megsérülhet, és a garancia elkerülhető lenne.

20. A mikrohullámú sütő nem helyezhető szekrénybe.
21. **FIGYELEM!**: a készülék és annak hozzáférhető részei használat közben felforrósodnak.
22. **FIGYELEM!**--A hozzáférhető alkatrészek használat közben felforrósodhatnak. Tartsa távol a kisgyermeket.
23. A készülék használat közben felforrósodik. Ügyelni kell arra, hogy a sütő belsejében lévő fűtőelemeket ne érintse meg a főzőcsarnok és a sütő.
24. A hozzáférhető felületek hőmérséklete magas lehet, ha a készülék működik.
25. A készüléket a falhoz kell helyezni.
26. A készüléket nem használhatják gyermekek vagy csökkent fizikai, érzékszervi vagy szellemi képességekkel rendelkező, illetve tapasztalat és ismeretek hiányában nem rendelkező személyek, kivéve, ha felügyeletet vagy oktatást kaptak.
27. **FIGYELEM!**--Ha az ajtó vagy az ajtó tömítések megsérültek, a sütőt nem szabad üzemeltetni, amíg azt hozzáférő személy meg nem javította.
28. A készülékeket nem külső időzítővel vagy külön távvezérlő rendszerrel való működtetésre szánták.
29. A mikrohullámú sütő kizárólag háztartási használatra, nem kereskedelmi használatra készült.
30. Soha ne távolítsa el a hátul vagy oldalt lévő távolságtartót, mivel az biztosítja a minimális távolságot a faltól a levegő keringéséhez.
31. Kérjük, a készülék mozgatása előtt rögzítse a lemezjátszót a sérülések elkerülése érdekében.
32. **FIGYELEM!**--Veszélyes a készüléket csak szakemberrel javíttatni vagy karbantartani, mert ilyen körülmények között a mikrohullámú sugárzás elleni védelmet biztosító burkolatot el kell távolítani. Ez vonatkozik a tápkábel vagy a világítás cseréjére is. Ezekben az esetekben küldje el a készüléket szervizközpontunkba.
33. A mikrohullámú sütő kizárólag ételek felolvasztására, főzésére és párolására szolgál.
34. Használjon kesztyűt, ha melegített ételt vesz ki.
35. Vigyázat! A gőz távozni fog, amikor kinyitja a fedelet vagy a fóliát becsomagolja.
36. A készüléket 8 év fölötti gyermekek, csökkent fizikai, érzékszervi és mentális képességekkel rendelkező, illetve kellő tapasztalattal nem rendelkező személyek, csak felügyelet mellett, illetve akkor használhatják, ha már rendelkeznek a készülék biztonságos használatára és a kockázatokra vonatkozó tudással. Gyermekek ne játsszanak a készülékkel. A tisztítást és a felhasználói karbantartást csak 8 éves vagy annál idősebb gyermekek végezhetik, akiket felügyelet alatt tartanak.
37. Ha füstöt bocsát ki, kapcsolja ki vagy húzza ki a készüléket, és tartsa zárva az ajtót, hogy elnyomja a lángokat.

# TELEPÍTÉSI ÚTMUTATÓ

1. Győződjön meg róla, hogy az összes csomagolóanyagot eltávolította az ajtó belsejéből.
2. **FIGYELEM!**--A sütőt ellenőrizze, hogy nincsenek-e rajta sérülések, például elferdült vagy meghajlott ajtó, sérült ajtótomítések és tömítőfelület, törött vagy laza ajtópántok és reteszek, valamint horpadások az üreg belsejében vagy az ajtón. Ha bármilyen sérülést észlel, ne működtesse a sütőt, és forduljon szakképzett szerviz szakemberhez.
3. Ezt a mikrohullámú sütőt sima, stabil felületre kell helyezni, hogy elbírja a súlyát és a sütőben valószínűleg megsütendő legnehezebb ételeket.
4. Ne helyezze a sütőt olyan helyre, ahol hő, nedvesség vagy magas páratartalom keletkezik, illetve éghető anyagok közelébe.
5. A helyes működéshez a sütőnek megfelelő légáramlással kell rendelkeznie. A sütő fölött 20 cm, hátul 10 cm, mindkét oldalon 5 cm helyet hagyjon. Ne takarja le és ne zárja el a készülék bármelyik nyílását. Ne távolítsa el a lábakat.
6. Ne működtesse a sütőt anélkül, hogy az üvegtálca, a görgőtartó és a tengely a megfelelő pozícióban lenne.
7. Győződjön meg arról, hogy a tápkábel sértetlen, és nem fut a sütő alatt vagy bármilyen forró vagy éles felületen.
8. A konnektornak könnyen hozzáférhetőnek kell lennie, hogy vészhelyzetben könnyen kihúzható legyen.
9. Ne használja a sütőt a szabadban.

## FÖLDELÉSI UTASÍTÁSOK

A készüléket földelni kell. Ez a sütő földelő vezetékkel ellátott vezetékkel van felszerelve, földelő dugóval. A készüléket megfelelően felszerelt és földelt fali csatlakozóaljzatba kell csatlakoztatni. Elektromos rövidzárlat esetén a földelés csökkenti az áramütés kockázatát azáltal, hogy menekülési vezeték biztosít az elektromos áram számára. Javasoljuk, hogy csak a sütőt kiszolgáló külön áramkört alakítsanak ki. A nagyfeszültség használata veszélyes, és tűz vagy más, sütő károsodását okozó baleset lehet a következménye.

**FIGYELEM!**--A földelődugó helytelen használata áramütés veszélyét eredményezheti.

Megjegyzés:

1. Ha bármilyen kérdése van a földeléssel vagy az elektromos utasításokkal kapcsolatban, forduljon szakképzett villanyszerelőhöz vagy szervizelőhöz.
2. Sem a gyártó, sem a kereskedő nem vállal felelősséget a sütőben keletkezett károkért vagy személyi sérülésekért, amelyek az elektromos csatlakoztatási eljárások be nem tartásából erednek.

A kábelhálózat vezetékeinek színe a következő kódoknak megfelelően van kialakítva:

**Zöld és sárga = FÖLD**

**Kék = NEUTRÁLIS**

**Barna = ÉLŐ**

# RÁDIÓZAVAR

A mikrohullámú sütő működése interferenciát okozhat a rádióban, TV-ben vagy hasonló berendezésekben. Ha interferencia lép fel, az a következő intézkedésekkel csökkenthető vagy kiküszöbölhető:

1. Tisztítsa meg a sütő ajtaját és tömítőfelületét.
2. Állítsa át a rádió vagy televízió vételi antennáját.
3. Helyezze át a mikrohullámú sütőt a vevőegységhez képest.
4. Távolítsa el a mikrohullámú sütőt a vevőtől.
5. Csatlakoztassa a mikrohullámú sütőt egy másik konnektorhoz, hogy a mikrohullámú sütő és a vevőegység különböző áramkörökben legyen.

## A SZERVIZ IGÉNYBEVÉTELE ELŐTT

Mielőtt szervizelésre kérne, kérjük, ellenőrizze az alábbi pontokat:

- Ellenőrizze, hogy a sütő biztonságosan be van-e dugva. Ha nem, húzza ki a dugót a konnektorból, várjon 10 másodpercet, majd csatlakoztassa újra biztonságosan.
- Ellenőrizze, hogy nincs-e kiégett biztosíték vagy kioldott főkapcsoló. Ha úgy tűnik, hogy ezek megfelelően működnek, tesztelje a konnektort egy másik készülékkel.
- Ellenőrizze, hogy a vezérlőpanel helyesen van-e programozva és az időzítő be van-e állítva.
- Ellenőrizze, hogy az ajtó biztonságosan zárva van-e, az ajtózárendszer bekapcsolásával. Ha az ajtó nincs megfelelően zárva, a mikrohullámú energia nem áramlik be.

HA A FENTIEK EGYIKE SEM ORVOSOLJA A HELYZETET, AKKOR FORDULJON SZAKKÉPZETT SZAKEMBERHEZ. NE PRÓBÁLJA MEG SAJÁT MAGA BEÁLLÍTANI VAGY MEGJAVÍTANI A SÜTŐT.

## FŐZÉSI TECHNIKÁK

1. Gondosan rendezd el az ételleket. A legvastagabb területeket az edény külső része felé helyezze.
2. Figyelje a főzési időt. Főzzük a megadott legrövidebb ideig, és szükség szerint adjunk hozzá még. A súlyosan túlfőtt ételek füstölhetnek vagy meggyulladhatnak.
3. Fedje le az ételleket főzés közben. A fedelek megakadályozzák a szétfroccsenést, és segítik az ételek egyenletes sülését.
4. A mikrohullámú sütés során egyszer fordítsa meg az ételleket, hogy felgyorsítsa az olyan ételek, mint a csirke és a hamburger sütését. Az olyan nagyméretű tárgyakat, mint a sült, legalább egyszer meg kell fordítani.
5. Az ételleket, például a húsgombócokat a sütés felénél rendezzük át mind felülről lefelé, mind pedig az étel közepétől kifelé.

# FŐZŐESZKÖZÖK ÚTMUTATÓ

1. A mikrohullám nem hatol át a fémen. Csak olyan edényeket használjon, amelyek alkalmasak mikrohullámú sütőben való használatra. Az ételek és italok fémtartályai nem használhatók mikrohullámú sütés közben. Ez a követelmény nem alkalmazandó, ha a gyártó a mikrohullámú sütésre alkalmas fémtartályok méretét és alakját határozza meg.
2. A mikrohullámú sütő nem képes áthatolni a fémen, ezért fém edényeket vagy fém díszítésű edényeket nem szabad használni.
3. Ne használjon újrahasznosított papírtermékeket mikrohullámú sütéskor, mivel azok kis fémdarabokat tartalmazhatnak, amelyek szikrákat és/vagy tüzet okozhatnak.
4. Inkább kerek/ovális edények, mint szögletes/nyúlványos edények ajánlottak, mivel a sarkokban lévő ételek hajlamosak túlsülni.
5. Keskeny alumíniumfóliacsíkokat lehet használni, hogy megakadályozza a szabadon lévő területek túlsütését. De vigyázzon, ne használjon túl sokat, és tartson 1 hüvelyk (2,54 cm) távolságot a fólia és az üreg között.

Az alábbi lista egy általános útmutató a megfelelő eszközök kiválasztásához.

Főzőkészlet	főzés mikrohullámmal
Hőálló üveg	Igen
Nem hőálló üveg	Sz.
Hőálló kerámia	Igen
Mikrohullámú sütőben használható műanyag edény	Igen
Konyhai papír	Igen
Fém tálca	Sz.
Fém állvány	Sz.
Alumínium fólia és fóliatartályok	Sz.

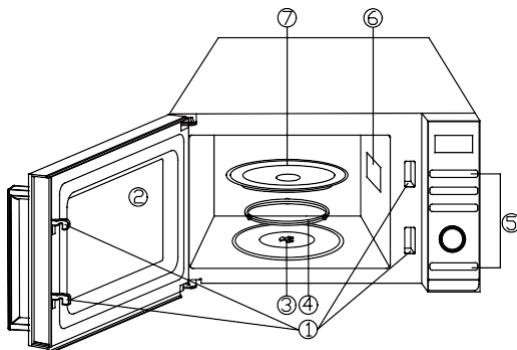
## SPECIFIKÁCIÓK

Energiafogyasztás	230-240V/50Hz, 1200W(microwave)
Kimenet	700 W
Működési frekvencia	2450 MHz
Külső méretek	262mm(H)×452mm(W)×346mm(D)
Sütőtér méretei	198mm(H)×315mm(W)×297mm(D)
Sütő kapacitása	Kompakt 20 literes
Nettó tömeg	Kb. 10,8 kg

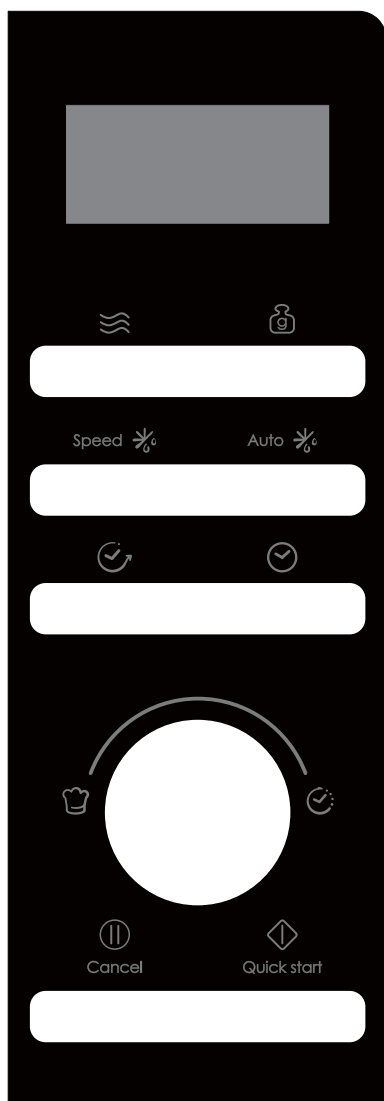


# TERMÉKDIAGRAM

1. Ajtó biztonsági zárrendszer
2. SÜTŐABLAK
3. Szár
4. Görgős gyűrű
5. Vezérlőpanel
6. Hullámvezető  
(Kérjük, ne távolítsa el a hullámvezetőt fedő csillámlemez)
7. Üvegtálca



# VEZÉRLŐPANEL



## ● KIJELZŐ

Megjelenik a főzési idő, a teljesítmény, a kijelzők és az óraidő.

## ● POWER

Nyomja meg a mikrohullámú sütési teljesítményszint beállításához.

## ● SÚLYBEÁLLÍTÁS

Nyomja meg az étel súlyának vagy adagjainak beállításához.

## ● GYORSÍTOTT JÉGMENTESÍTÉS

Speed 

Nyomja meg a gombot az ételek idő alapján történő kiolvasztásához.

## ● AUTOMATIKUS JÉGVÉDELEMZÍTÉS

Auto 

Nyomja meg a gombot az ételek súly szerinti kiolvasztásához.

## ● PRESET

Használja a sütő későbbi indításra való beállításához.

## ● ÓRA

Nyomja meg az óraidő beállításához.

## ● MENÜ/ÓRA (tárcsa)

Forgassa el az idő beállításához és az automatikus főzési menük kiválasztásához.



## ● PAUSE/CANCEL Cancel

Nyomja meg egyszer a főzés ideiglenes leállításához, vagy kétszer a főzés teljes leállításához.




## ● INDÍTÁS/GYORSINDÍTÁS Quick start

Nyomja meg a főző- és leolvasztási programok indításához.

Egyszerűen csak nyomja meg néhányszor a főzési idő beállításához, és azonnal főzze teljes teljesítményszinten.

# HASZNÁLATI UTASÍTÁSOK

- Amikor a sütő először csatlakoztatva van, egy hangjelzés hallatszik, és a kijelzőn „” és „1:01” jelenik meg.
- A beállítás során a sütő kb. 30 másodpercig tört meg, majd visszatér készenléti üzemmódba.
- Ha főzés közben egyszer megnyomja a PAUSE/CANCEL gombot, a program szünetel, majd a START/QUICK START gomb megnyomásával folytatódik. Ha azonban kétszer megnyomja a PAUSE/CANCEL gombot, a program törlődik.
- A főzés befejezése után a kijelzőn a End (Vége) felirat jelenik meg, és kétpercenként hangjelzés hallatszik, amíg a felhasználó meg nem nyomja valamelyik gombot, vagy ki nem nyitja az ajtót.

## AZ ÓRA BEÁLLÍTÁSA

---

Ez egy 12 vagy 24 órás óra. A CLOCK gomb készenléti üzemmódban történő megnyomásával választhatja ki, hogy az órát 12- vagy 24 órában állítsa be.

1. Készenléti üzemmódban nyomja meg többször a CLOCK gombot a 12- vagy 24 órás óra kiválasztásához.
2. Forgassa a MENU/TIME tárcsát, amíg a megfelelő óra meg nem jelenik.
3. Nyomja meg egyszer a CLOCK gombot.
4. Forgassa a MENU/TIME tárcsát, amíg a megfelelő perc meg nem jelenik a kijelzőn.
5. Nyomja meg a CLOCK gombot a megerősítéshez.

**MEGJEGYZÉS:** Főzés közben a CLOCK gomb megnyomásával ellenőrizheti az aktuális óraidőt.

## FŐZÉS MIKROHULLÁMMAL

---

1. Készenléti üzemmódban nyomja meg többször a POWER gombot a teljesítményszint kiválasztásához.
2. Forgassa el a MENU/TIME tárcsát a főzési idő beállításához. A leghosszabb idő 95 perc.
3. Nyomja meg a START/QUICK START gombot a megerősítéshez.

## Válassza ki a teljesítményszintet a POWER gomb megnyomásával:

Nyomja meg a POWER gombot	Teljesítmény (kijelző)	Nyomja meg a POWER gombot	Teljesítmény (kijelző)
egyszer	100% (100)	7 alkalommal	40% (40)
2 és afelett	90% (90)	8 alkalommal	30% (30)
3 alkalommal	80% (80)	9 alkalommal	20% (20)
4 alkalommal	70% (70)	10 alkalommal	10% (10)
5 ALKALOMMAL	60% (60)	11 alkalommal	00% (00)
6 alkalommal	50% (50)		

**MEGJEGYZÉS:** Főzés közben a POWER gomb megnyomásával ellenőrizheti az aktuális főzési teljesítményszintet.

## EXPRESSZ FŐZÉS

---

Ezzel a funkcióval a sütőt úgy programozhatja, hogy az ételeket kényelmesen 100%-os teljesítményen mikrózza. Készletléti üzemmódban és zárt sütőajtó mellett a START/QUICK START gombot többször megnyomva állítsa be a sütési időt (minden egyes megnyomással 30 másodpercet, maximum 10 percre növelhető), a sütő azonnal teljes teljesítményen indul.

## AUTOMATIKUS LEOLVASZTÁS

---

A leolvasztási idő és a teljesítményszint automatikusan beállítódik, amint az étel súlya be van programozva. A fagyasztott élelmiszerek tömege 100 g és 1800 g között mozog.

1. Készletléti üzemmódban nyomja meg egyszer az AUTO DEFROST gombot.
2. Nyomja meg többször a WEIGHT ADJUST gombot az étel súlyának kiválasztásához.
3. Nyomja meg a START/QUICK START gombot a megerősítéshez.

**MEGJEGYZÉS:** A leolvasztás során a rendszer szünetet tart és hangjelzéssel emlékezteti a felhasználót, hogy fordítsa meg az ételt, majd a leolvasztás folytatásához nyomja meg a START/QUICK START gombot.

## GYORS LEOLVASZTÁS

---

1. Készenléti üzemmódban nyomja meg egyszer a SPEED DEFROST gombot.
2. Forgassa el a MENU/TIME tárcsát a leolvasztási idő beállításához. A leghosszabb idő 95 perc.
3. Nyomja meg a START/QUICK START gombot a megerősítéshez.

**MEGJEGYZÉS:** A leolvasztás során a rendszer szünetet tart és hangjelzéssel emlékezteti a felhasználót, hogy fordítsa meg az ételt, majd a leolvasztás folytatásához nyomja meg a START/QUICK START gombot.

## TÖBBLÉPCSŐS FŐZÉS

---

A sütő akár 2 automatikus főzési sorozatra is programozható. Tegyük fel, hogy a következő főzési programot szeretné beállítani:

főzés mikrohullámmal



Mikrohullámú sütés (alacsonyabb teljesítményszinttel)

1. Adja meg az első mikrohullámú sütőprogramot. Ne nyomja meg a START/QUICK START gombot.
2. Adja meg a második mikrohullámú sütőprogramot.
3. Nyomja meg a START/QUICK START gombot a megerősítéshez.

**MEGJEGYZÉS:** Az expressz főzés, az automatikus kiolvasztás, a gyors kiolvasztás és az automatikus főzés menüpontok nem állíthatók be a többlépcsős főzés során.

## AUTOMATIKUS TISZTÍTÁS

---

Tegyen egy tál 300 g vizet a sütőbe, és zárja be az ajtót.

1. Készenléti üzemmódban fordítsa el a MENU/TIME tárcsát egyszer az óramutató járásával ellentétes irányba, majd forgassa a tárcsát, amíg a kijelzőn a „CLE” és az „AUTO” felirat nem jelenik meg.
2. Nyomja meg egyszer a WEIGHT ADJUST gombot.
3. Az indításhoz nyomja meg a START/QUICK START gombot.

**MEGJEGYZÉS:** A tisztítási idő 10 perc.

## ELŐRE BEÁLLÍTOTT TÉTEL

---

Ez a funkció lehetővé teszi, hogy a sütő egy későbbi időpontban induljon el.

1. Készenléti üzemmódban adjon meg egy főzési programot (kivéve az expressz főzést, az automatikus kiolvasztást és a gyors kiolvasztást).
2. Nyomja meg egyszer a PRESET gombot.
3. Forgassa el a MENU/TIME tárcsát az óraszámjegy beállításához.
4. Nyomja meg egyszer a PRESET gombot.
5. Forgassa el a MENU/TIME tárcsát a percjegy beállításához.
6. Nyomja meg egyszer a START/QUICK START gombot.

**MEGJEGYZÉS:** A visszaszámlálási időt az PRESET gomb megnyomásával ellenőrizheti, ha a PAUSE/CANCEL gombot megnyomja, amikor a kijelzőn az idő megjelenik, a funkció törölhető.

## GYEREKZÁR

A gyermekzár megakadályozza a gyermekek általi felügyelet nélküli működtetést.

A gyermekzárba való belépéshez: Készenléti üzemmódban, ha egy percen belül nem történik semmilyen művelet, a sütő automatikusan gyermekzár üzemmódba lép, és a zárjelző lámpa kigyullad. Zárólagi állapotban az összes gomb le van tiltva.

Törlés: Gyermekzár üzemmódban a program törléséhez nyissa ki vagy zárja be egyszer a sütő ajtaját, és a zárjelző lámpa kialszik.

## AUTOMATIKUS FŐZÉS

A következő étel vagy főzési mód esetében nem szükséges a főzési időt és teljesítményt beprogramozni. Elegendő megadni a főzni kívánt étel típusát, valamint az étel súlyát vagy adagját.

1. Készenléti üzemmódban fordítsa el a MENU/TIME tárcsát az óramutató járásával ellentétes irányba egyszer, a kijelzőn megjelenik az „A-01”, majd folytassa a tárcsa elforgatását a többi ételkód kiválasztásához.
2. Nyomja meg többször a WEIGHT ADJUST gombot az étel súlyának vagy adagjainak beállításához.
3. Nyomja meg a START/QUICK START gombot a megerősítéshez.

### Automatikus főzési menük:

Kód	Élelmiszer	Tömeg/Mennyiség	Megjegyzés
A-01	Tej/Kávé/Tea (200 ml/csésze, 1-3 csésze)	1 csésze	A kijelzőn az étel súlya helyett az adagok száma jelenik meg
		2 csésze	
		3 csésze	
A-02	Pizza	150 g	
		300 g	
		450 g	
A-03	Burgonya	100 g	
		200 g	
		300 g	
A-04	Automatikus újramelegítés	200 g	
		300 g	
		400 g	
		500 g	
		600 g	
		700 g	
		800 g	
A-05	Hal	200 g	
		300 g	
		400 g	

Kód	Élelmiszer	Tömeg/Mennyiség	Megjegyzés
		500 g	
		600 g	
A-06	Pattogatott kukorica	100 g	
A-07	Leves	200 g	
		400 g	
		600 g	
A-08	Kása	50 g	
		100 g	
		150 g	
A-09	Friss zöldség	200 g	
		300 g	
		400 g	
		500 g	
		600 g	
A-10	Fagyasztott zöldség	200 g	
		300 g	
		400 g	
		500 g	
		600 g	
A-11	Rizs	150 g	
		300 g	
		450 g	
		600 g	
A-12	Spagetti/Tészta	100 g	
		200 g	
		300 g	
A-13	Fagyasztott vacsora/étkezés	250 g	
		500 g	
A-14	Autoclean/ (a teljesítmény az üreg belsejének teljes vízcseppje lenne)		

Az automatikus sütés eredménye olyan tényezőktől függ, mint az ételek alakja és mérete, az Ön személyes preferenciái bizonyos ételek átsütöttségét illetően, és még az is, hogy Ön mennyire jól helyezi el az ételt a sütőben. Ha az eredményt a sebességgel nem találja kielégítőnek, akkor a főzési időt ennek megfelelően állítsa be egy kicsit.

# TISZTÍTÁS ÉS ÁPOLÁS

1. Tisztításkor kapcsolja ki a sütőt, és húzza ki a tápkábelt a falból.
2. Tartsa tisztán a sütő belsejét. Ha ételfröccsenések vagy kiömlött folyadékok tapadnak a sütő falára, törölje le nedves ruhával. Enyhe tisztítószerek használhatók, ha a sütő nagyon piszkos. Kerülje a spray vagy más durva tisztítószerek használatát. Foltot hagyhatnak, csíkozhatják vagy tompíthatják az ajtó felületét.
3. A sütő külsejét nedves ruhával kell tisztítani. A sütő belsejében lévő működtető alkatrészek károsodásának elkerülése érdekében nem szabad megengedni, hogy víz szivároгjon be a szellőzőnyílásokba.
4. Az ajtó és az ablak mindkét oldalát, az ajtó tömítéseket és a szomszédos részeket gyakran törölje át nedves ruhával, hogy eltávolítsa a kiömlött folyadékokat vagy fröccsenéseket. Ne használjon súrolószeres tisztítószert.
5. Gőztisztítót nem szabad használni.
6. Ne hagyja, hogy a kezelőpanel nedves legyen. Puha, nedves ruhával tisztítsa meg. A kezelőpanel tisztításakor hagyja nyitva a sütő ajtaját, hogy megakadályozza a sütő véletlen bekapcsolását.
7. Ha a sütőajtó belsejében vagy külső oldalán gőz gyűlik össze, törölje le puha ruhával. Ez akkor fordulhat elő, ha a mikrohullámú sütőt magas páratartalom mellett üzemeltetik. És ez normális.
8. Az üvegtálcát időnként ki kell venni tisztítás céljából. Mossa ki a tálcát langyos, lápos vízben vagy mosogatógépben.
9. A görgőgyűrűt és a sütő padlóját rendszeresen tisztítani kell a túlzott zaj elkerülése érdekében. Egyszerűen törölje át a sütő alsó felületét enyhe tisztítószerral. A görgőgyűrű mosható enyhe, szappanos vízben vagy mosogatógépben. A görgőgyűrű eltávolításakor ügyeljen arra, hogy a megfelelő pozícióban helyezze vissza.
10. Távolítsa el a szagokat a sütőből úgy, hogy egy mikrohullámú sütőedényben egy csésze vizet egy citrom levéllel és héjjal kever össze. Mikróban 5 percig sűtjük. Alaposan törölje le és szárítsa meg puha ruhával.
11. Ha az izzó kiég, kérjük, forduljon az ügyfélszolgálathoz, hogy kicseréljék.
12. A sütőt rendszeresen tisztítani kell, és el kell távolítani az esetleges ételmaradékokat. Ha a sütőt nem tartja tiszta állapotban, az a felület romlásához vezethet, ami hátrányosan befolyásolhatja a készülék élettartamát, és esetleg veszélyes helyzetet eredményezhet.
13. Kérjük, ne dobja ki ezt a készüléket a háztartási szemétesbe; azt az önkormányzat által biztosított speciális hulladékgyűjtő központban kell elhelyezni.





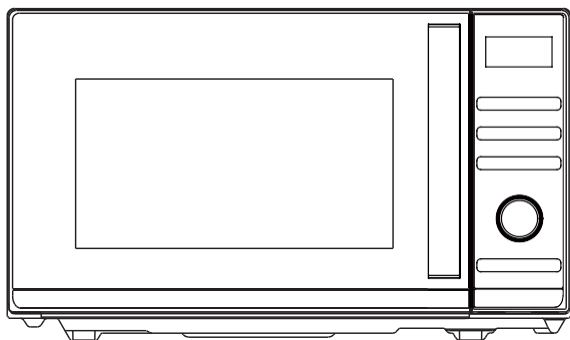
A készüléket az elektromos és elektronikus berendezések hulladékairól szóló, 2013. évi 2012/19/EU európai irányelvnek (WEEE) megfelelően címkézték. Az elektromos és elektronikus berendezések szennyező hatású (a környezetre esetlegesen káros) anyagokat és (újrahasznosítható) nyersanyagokat is tartalmazhatnak. A szennyező anyagok eltávolítása és az anyagok újrahasznosítása érdekében fontos, hogy az elektromos és elektronikus berendezéseket megfelelően kezeljék. A magánszemélyeknek ebben fontos szerepe

lehet, amikor megbizonyosodnak róla, hogy az elektronikai hulladékok nem válnak környezetvédelmi problémává; létfontosságú néhány alapvető szabály betartása:

- Az elektromos és elektronikus berendezések anyagai nem kezelhetők háztartási hulladékként;
- az elektromos és elektronikus berendezéseket a helyi önkormányzat vagy egy nyilvántartott vállalat által kezelt gyűjtőponton szükséges ártalmatlanítani.

A nagyméretű elektromos és elektronikus berendezések esetén sok országban háztartási hulladékgyűjtő pontok állnak rendelkezésre. Új berendezés vásárlásakor az ilyen hulladékot ingyen vissza lehet vinni a kereskedőhöz, mennyiben a régi berendezés ugyanolyan típusú, mint az új és azzal megegyező funkciójú.

# Istruzioni per il forno a microonde



Modello: CMWA20TNDB

Leggere attentamente queste istruzioni prima di installare e mettere in funzione il forno.

<b>Haier Europe</b> <small>CANDY Haier</small>	<b>PT</b> ☎ 707 200 188 210 010 773	<b>IT</b> ☎ 02 400 48 200	<b>ES</b> ☎ 902 100 150 943 914 150	<b>DE</b> ☎ 0800 500 48 48
<b>BE</b> ☎ 02 752 94 10	<b>NL</b> ☎ 33 422 4000	<b>AT</b> ☎ 0820 220 224	<b>GR</b> ☎ 801 11 50 50 50	<b>CH</b> ☎ 0848 780 780

70017948

# INDICE

<b>IMPORTANTI ISTRUZIONI DI SICUREZZA .....</b>	<b>2</b>
<b>GUIDA ALL'INSTALLAZIONE .....</b>	<b>5</b>
<b>ISTRUZIONI DI MESSA A TERRA .....</b>	<b>5</b>
<b>INTERFERENZE RADIO.....</b>	<b>6</b>
<b>PRIMA DI CONTATTARE IL CENTRO ASSISTENZA .....</b>	<b>6</b>
<b>TECNICHE DI COTTURA.....</b>	<b>7</b>
<b>GUIDA AGLI UTENSILI DA CUCINA .....</b>	<b>7</b>
<b>SPECIFICHE .....</b>	<b>8</b>
<b>SCHEMA DEL PRODOTTO.....</b>	<b>8</b>
<b>PANNELLO DI CONTROLLO.....</b>	<b>9</b>
<b>ISTRUZIONI PER L'USO .....</b>	<b>10</b>
IMPOSTAZIONE DELL'ORA .....	10
COTTURA A MICROONDE .....	10
CUCINA ESPRESSA .....	11
SCONGELAMENTO AUTOMATICO .....	11
SCONGELAMENTO RAPIDO .....	12
COTTURA A PIÙ FASI .....	12
PULIZIA AUTOMATICA .....	12
PRESET .....	12
SICUREZZA BAMBINI.....	13
COTTURA AUTOMATICA.....	13
<b>PULIZIA E MANUTENZIONE.....</b>	<b>15</b>

# PRECAUZIONI PER EVITARE UNA POSSIBILE ESPOSIZIONE ALL'ECESSIVA ENERGIA DELLE MICROONDE

1. Non tentare di far funzionare questo forno con lo sportello aperto, poiché il funzionamento a sportello aperto può provocare un'esposizione dannosa all'energia delle microonde. È importante non manomettere gli interblocchi di sicurezza.
2. Non collocare alcun oggetto tra la parte anteriore del forno e lo sportello, né lasciare che residui di sporco o detersivi si accumulino sulle superfici di tenuta.
3. Non azionare il forno se danneggiato. È particolarmente importante che lo sportello del forno si chiuda correttamente e che non vi siano danni a
  - a) Sportello (anche piegato),
  - b) Cerniere e chiusure (rotte o allentate),
  - c) Guarnizioni per sportelli e superfici di tenuta.
4. Il forno non deve essere regolato o riparato da nessuno, ad eccezione del personale di assistenza qualificato.

## IMPORTANTI ISTRUZIONI DI SICUREZZA

Quando si utilizzano elettrodomestici è necessario seguire le precauzioni di sicurezza di base, tra cui le seguenti:

**AVVERTENZA!**-- Per ridurre il rischio di ustioni, scosse elettriche, incendi, lesioni alle persone o l'esposizione a un'eccessiva energia delle microonde:

1. Utilizzare l'elettrodomestico solo per l'uso previsto come descritto nel presente manuale. Non utilizzare prodotti chimici corrosivi o vapori nell'elettrodomestico. Questo tipo di forno è specificamente progettato per riscaldare, cuocere o essiccare gli alimenti. Non è progettato per uso industriale o di laboratorio.
2. Non azionare il forno quando è vuoto.
3. Non mettere in funzione l'elettrodomestico se ha un cavo o una spina danneggiati, se non funziona correttamente o se è stato danneggiato o è caduto. Se il cavo di alimentazione dell'elettrodomestico dovesse essere danneggiato, farlo sostituire dal produttore, dal suo servizio tecnico o da un tecnico qualificato, per evitare rischi.
4. **AVVERTENZA!**-- Consentire ai bambini di utilizzare il forno senza sorveglianza solo quando sono state date istruzioni adeguate affinché il bambino sia in grado di utilizzare il forno in modo sicuro e comprenda i rischi di un uso improprio.
5. Per ridurre il rischio di incendio nel vano di cottura:

- Quando si riscaldano alimenti in contenitori di plastica o di carta, tenere sotto controllo il forno per la possibilità di incendi.
  - Rimuovere i fili ritorti da sacchetti di carta o di plastica prima di mettere il sacchetto nel forno.
  - In presenza di fumo, spegnere l'elettrodomestico o staccarlo dall'alimentazione e mantenere lo sportello chiuso onde soffocare le eventuali fiamme.
  - Non utilizzare il vano del forno per la conservazione. Non lasciare prodotti di carta, utensili da cucina o alimenti nel vano del forno quando non è in uso.
  - Il forno a microonde è destinato al riscaldamento di alimenti e bevande. L'asciugatura di cuscinetti riscaldanti, pantofole, spugne, panni umidi e simili possono comportare il rischio di lesioni, accensione o incendio.
6. **AVVERTENZA!**-- I liquidi e altri alimenti non devono essere scaldati in contenitori sigillati poiché potrebbero esplodere.
  7. Il riscaldamento a microonde delle bevande può causare un'ebollizione ritardata con proiezioni di liquidi, pertanto è necessario prestare attenzione durante la manipolazione del contenitore.
  8. Non friggere alimenti nel forno. L'olio caldo può danneggiare le parti del forno e gli utensili e persino causare ustioni alla pelle.
  9. Le uova nel guscio e le uova sode intere non devono essere riscaldate nei forni a microonde, poiché possono esplodere anche dopo la fine del riscaldamento a microonde.
  10. Forare gli alimenti con bucce pesanti come patate, zucche intere, mele e castagne prima della cottura.
  11. Il contenuto dei biberon e dei vasetti di omogeneizzati deve essere mescolato o agitato e la temperatura deve essere controllata prima di servire per evitare ustioni.
  12. Gli utensili da cucina possono surriscaldarsi a causa del calore trasferito dal cibo riscaldato. Per maneggiare l'utensile possono essere necessarie le presine.
  13. Gli utensili devono essere controllati per verificare che siano adatti all'uso nel forno a microonde.
  14. **AVVERTENZA!**-- È pericoloso per tutti, ad eccezione del personale addetto, eseguire qualsiasi operazione di manutenzione o di riparazione che implichi la rimozione di qualunque coperchio di protezione contro l'esposizione all'energia microonde.
  15. Questo prodotto è un'apparecchiatura ISM di classe B del Gruppo 2. La definizione del Gruppo 2 che comprende tutte le apparecchiature ISM (industriali, scientifiche e mediche) in cui l'energia a radiofrequenza è generata intenzionalmente e/o utilizzata sotto forma di radiazioni elettromagnetiche per il trattamento dei materiali e le apparecchiature per l'erosione a scintilla. Per apparecchiature di classe B si intendono apparecchiature adatte all'uso in luoghi domestici e in sedi direttamente collegate ad una rete di alimentazione a bassa tensione che alimenta gli edifici adibiti ad uso domestico.
  16. Questo elettrodomestico non è da intendersi adatto all'uso da parte di persone (incluso bambini) con ridotte capacità fisiche, sensoriali o mentali, o prive di esperienza e conoscenza, a meno che siano state supervisionate o istruite riguardo all'uso dell'elettrodomestico da una persona responsabile della loro sicurezza.
  17. I bambini devono essere supervisionati per assicurarsi che non giochino con l'elettrodomestico.
  18. Il forno a microonde viene utilizzato solo in versione indipendente.

19. **AVVERTENZA!**-- Non installare il forno sopra un piano di cottura o altro elettrodomestico che produce calore. Se installato in questo modo potrebbe essere danneggiato e la garanzia diventerebbe nulla.
20. Il forno a microonde non deve essere collocato in un mobile.
21. **AVVERTENZA:** l'elettrodomestico e le sue parti accessibili diventano calde durante l'uso.
22. **AVVERTENZA!**-- Durante l'utilizzo le parti accessibili possono diventare calde. I bambini piccoli devono essere mantenuti a distanza.
23. Durante l'uso l'elettrodomestico diventa caldo. Fare attenzione a non toccare le resistenze di riscaldamento all'interno del forno, per i ripiani di cottura e nei forni.
24. La temperatura delle superfici accessibili può essere elevata quando l'elettrodomestico è in funzione.
25. L'elettrodomestico deve essere posizionato contro una parete.
26. L'elettrodomestico non deve essere utilizzato da bambini o persone con ridotte capacità fisiche, sensoriali o mentali, o con scarsa esperienza e conoscenza, a meno che non siano stati supervisionati o istruiti.
27. **AVVERTENZA!**-- Se lo sportello o la guarnizione dello sportello sono danneggiati, il forno non dev'essere utilizzato fino a quando non è stato riparato da personale competente
28. Gli elettrodomestici non sono concepiti per funzionare con temporizzatori esterni o con sistemi di comando a distanza separati.
29. Il forno a microonde è solo per uso domestico e non per uso commerciale.
30. Non rimuovere mai il distanziatore sul retro o sui lati, in quanto garantisce una distanza minima dalla parete per la circolazione dell'aria.
31. Fissare il piatto rotante prima di spostare l'elettrodomestico per evitare danni.
32. **ATTENZIONE!**-- È pericoloso fare riparare o sottoporre a manutenzione l'elettrodomestico da personale non specializzato, poiché in queste circostanze è necessario rimuovere la copertura che garantisce la protezione contro le radiazioni a microonde. Questo vale anche per la sostituzione del cavo di alimentazione o dell'illuminazione. In questi casi, inviare l'elettrodomestico al nostro centro di assistenza.
33. Il forno a microonde è destinato esclusivamente allo scongelamento, alla cottura e alla cottura a vapore degli alimenti.
34. Utilizzare i guanti se si rimuovono gli alimenti riscaldati.
35. Attenzione! Il vapore fuoriesce quando si aprono i coperchi o la pellicola avvolgente.
36. L'elettrodomestico può essere utilizzato da bambini di età superiore a 8 anni e da persone con ridotte capacità fisiche, sensoriali o mentali, oppure prive di esperienza e conoscenza, se supervisionate o istruite riguardo all'uso dell'elettrodomestico in sicurezza, e se comprendono i rischi che derivano dall'uso dello stesso. I bambini non devono giocare con l'elettrodomestico. La pulizia o la manutenzione da parte dell'utente non deve essere eseguita da bambini a meno che non abbiano più di 8 anni e siano sorvegliati.
37. In presenza di fumo, spegnere l'elettrodomestico o staccarlo dall'alimentazione e mantenere lo sportello chiuso onde soffocare le eventuali fiamme.

# GUIDA ALL'INSTALLAZIONE

1. Assicurarsi che tutti i materiali di imballaggio siano stati rimossi dall'interno dello sportello.
2. **AVVERTENZA!**-- Controllare che il forno non presenti danni, come sportello non allineato o piegato, guarnizioni e superfici di tenuta danneggiate, cerniere e chiusure dello sportello rotte o allentate e ammaccature all'interno del vano di cottura o sullo sportello. In caso di danni, non mettere in funzione il forno e contattare il personale di assistenza qualificato.
3. Questo forno a microonde deve essere posizionato su una superficie piana e stabile per sostenere il suo peso e gli alimenti più pesanti che possono essere cotti all'interno del forno.
4. Non collocare il forno in luoghi in cui si generano calore, umidità, anche elevata, o in prossimità di materiali combustibili.
5. Per un corretto funzionamento, il forno deve avere un flusso d'aria sufficiente. Lasciare 20 cm di spazio sopra il forno, 10 cm sul retro e 5 cm su entrambi i lati. Non coprire o bloccare le aperture dell'elettrodomestico. Non rimuovere i piedini.
6. Non mettere in funzione il forno senza il vassoio in vetro, il supporto a rulli e il perno nella posizione corretta.
7. Accertarsi che il cavo di alimentazione non sia danneggiato e non si trovi sotto il forno o su superfici calde o taglienti.
8. La presa deve essere facilmente accessibile in modo da poter essere facilmente scollegata in caso di emergenza.
9. Non collocare l'elettrodomestico in ambienti esterni.

## ISTRUZIONI DI MESSA A TERRA

Questo elettrodomestico deve essere collegato a terra. Questo forno è dotato di un cavo con filo di messa a terra e spina di messa a terra. Deve essere inserito in una presa a muro correttamente installata e messa a terra. In caso di corto circuito elettrico, la messa a terra riduce il rischio di scosse elettriche fornendo un filo di fuga per la corrente elettrica. Si raccomanda di prevedere un circuito separato che serva solo il forno. L'uso di una tensione elevata è pericoloso e può provocare un incendio o altri incidenti che possono causare danni al forno.

**AVVERTENZA!**-- L'uso non corretto della spina di messa a terra può comportare il rischio di scosse elettriche.

Nota:

1. In caso di domande sulla messa a terra o sulle istruzioni elettriche, consultare un elettricista qualificato o un tecnico dell'assistenza.
2. Né il produttore né il rivenditore si assumono alcuna responsabilità per danni al forno o lesioni personali derivanti dalla mancata osservanza delle procedure di collegamento elettrico.

I fili di questo cavo principale sono colorati secondo il seguente codice:

**Verde e giallo = TERRA**

**Blu = NEUTRO**

**Marrone = ALIMENTAZIONE**

## **INTERFERENZE RADIO**

Il funzionamento del forno a microonde può causare interferenze con la radio, la TV o apparecchiature simili. In presenza di interferenze, queste possono essere ridotte o eliminate adottando le seguenti precauzioni:

1. Pulire lo sportello e la superficie di tenuta del forno.
2. Orientare nuovamente l'antenna di ricezione della radio o della televisione.
3. Riposizionare il forno a microonde rispetto al ricevitore.
4. Allontanare il forno a microonde dal ricevitore.
5. Collegare il forno a microonde ad una presa diversa in modo che il forno a microonde e il ricevitore si trovino su circuiti di derivazione diversi.

## **PRIMA DI CONTATTARE IL CENTRO ASSISTENZA**

Prima di chiamare l'assistenza, controllare ciascuna delle voci sotto riportate:

- Controllare che il forno sia collegato perfettamente. In caso contrario, rimuovere la spina dalla presa, attendere 10 secondi e reinserirla a fondo.
- Controllare la presenza di un fusibile bruciato o di un salvamotore scattato. Se tutto sembra funzionare correttamente, provare la presa di corrente con un altro elettrodomestico.
- Verificare che il pannello di controllo sia programmato correttamente e che il timer sia impostato.
- Verificare che lo sportello sia chiuso saldamente innestando il sistema di blocco dello sportello. Se lo sportello non è chiuso correttamente, l'energia del microonde non fluisce all'interno.

**SE NESSUNO DI QUESTI INTERVENTI RISOLVE LA SITUAZIONE, CONTATTARE UN TECNICO QUALIFICATO. NON CERCARE DI REGOLARE O RIPARARE IL FORNO DA SOLI.**



# TECNICHE DI COTTURA

1. Disporre gli alimenti con cura. Posizionare le parti più spesse verso l'esterno del piatto.
2. Controllare l'orario di cottura. Cuocere per il minor tempo indicato e aggiungere ulteriore tempo se necessario. Gli alimenti molto cotti possono produrre fumo o infiammarsi.
3. Coprire gli alimenti durante la cottura. Le coperture prevengono gli schizzi e aiutano la cottura uniforme degli alimenti.
4. Girare gli alimenti una volta durante la cottura a microonde per velocizzare la cottura di alimenti come pollo e hamburger. Alimenti di grandi dimensioni come gli arrostiti devono essere capovolti almeno una volta.
5. Girare gli alimenti come le polpette a metà cottura sia dall'alto verso il basso che dal centro del piatto verso l'esterno.

# GUIDA AGLI UTENSILI DA CUCINA

1. Le microonde non possono penetrare il metallo. Utilizzare solo utensili adatti per l'uso nei forni a microonde. Non sono ammessi contenitori metallici per alimenti e bevande durante la cottura a microonde. Questo requisito non è applicabile se il produttore specifica le dimensioni e la forma dei contenitori metallici adatti alla cottura a microonde.
2. Le microonde non possono penetrare nel metallo, quindi non si devono usare utensili o stoviglie in metallo con finiture metalliche.
3. Non utilizzare prodotti di carta riciclata per la cottura a microonde, in quanto possono contenere piccoli frammenti metallici che possono causare scintille e/o incendi.
4. Si consigliano piatti rotondi/ovali piuttosto che quadrati/oblunghi, dato che il cibo negli angoli tende a cuocere eccessivamente.
5. È possibile utilizzare strisce strette di foglio di alluminio per evitare il surriscaldamento delle aree esposte. Prestare attenzione a non usarne troppo e mantenere una distanza di 2,54 cm (1 pollice) tra il foglio e il vano cottura.

L'elenco che segue è una guida generale per aiutarvi a selezionare gli utensili corretti.

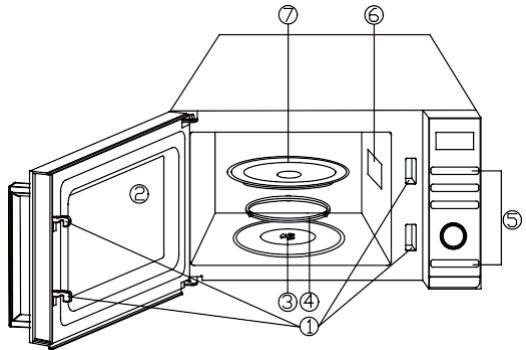
Tipi di pentole	Cottura a microonde
Vetro termoresistente	Sì
Vetro non termoresistente	No
Ceramica termoresistente	Sì
Piatto di plastica adatto al microonde	Sì
Carta da cucina	Sì
Vassoio in metallo	No
Ripiano in metallo	No
Pellicola di alluminio e contenitori in pellicola di alluminio	No

# SPECIFICHE

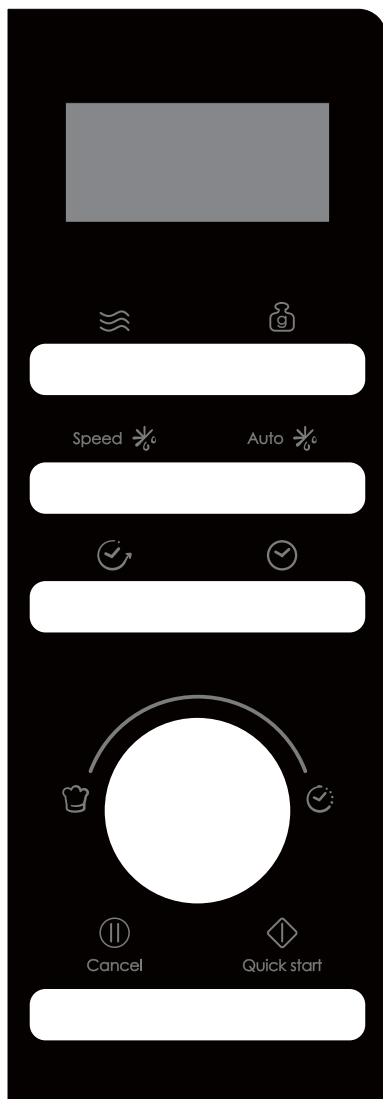
Potenza assorbita:	230-240V/50Hz, 1200W(microwave)
Output	700 W
Frequenza di funzionamento	2450MHz
Dimensioni esterne	262mm(H)×452mm(W)×346mm(D)
Dimensioni del vano cottura	198mm(H)×315mm(W)×297mm(D)
Capacità forno	Compatto 20Litri
Peso netto	Circa 10,8 kg

# SCHEMA DEL PRODOTTO

1. Sistema di blocco di sicurezza porta
  2. Finestra del forno
  3. Perno
  4. Anello a rulli
  5. Pannello di controllo
  6. Guida onde
  7. Vassoio in vetro
- (Si prega di non rimuovere la piastra di mica che copre la guida d'onda)



# PANNELLO DI CONTROLLO



## ● DISPLAY

Vengono visualizzati il tempo di cottura, la potenza, gli indicatori e l'orario.


## ● POTENZA

Premere per impostare il livello di potenza di cottura a microonde.

## ● REGOLAZIONE DEL PESO


Premere per impostare il peso del cibo o le porzioni.

## ● SCONGELAMENTO VELOCE

Speed 

Premere per scongelare il cibo in base al tempo.

## ● SCONGELAMENTO AUTOMATICO

Auto 

Premere per scongelare il cibo in base al peso.

## ● PRESET

Usare per impostare l'avvio del forno in un momento successivo.

## ● OROLOGIO

Premere per impostare l'ora dell'orologio.

## ● MENU/TIME (quadrante)

Girare per impostare il tempo e selezionare i menu di cottura automatica.

## ● PAUSA/ANNULLAMENTO Cancel


Premere una volta per interrompere temporaneamente la cottura o due volte per annullare la cottura.

## ● AVVIO/AVVIO RAPIDO Quick start

Premere per avviare i programmi di cottura e scongelamento.

Basta premerlo più volte per impostare il tempo di cottura e cuocere immediatamente a potenza massima.

# ISTRUZIONI PER L'USO

- Quando il forno viene collegato per la prima volta, viene emesso un segnale acustico e il display mostra “” e “1:01”.
- Nel processo di impostazione, trascorsi circa 30 secondi il forno tornerà in modalità standby.
- Durante la cottura, se si preme una volta il pulsante PAUSE/CANCEL, il programma verrà messo in pausa, quindi premere il pulsante START/QUICK START per riprendere. Ma se si preme due volte il pulsante PAUSE/CANCEL, il programma sarà cancellato.
- Dopo la fine della cottura, il display mostrerà End e il segnale acustico suonerà ogni due minuti fino a quando l'utente non premerà un qualsiasi pulsante o aprirà la porta.

## IMPOSTAZIONE DELL'ORA

---

L'orologio ha 12-24 ore. È possibile scegliere di impostare l'ora dell'orologio in 12 o 24 ore premendo il pulsante POTENZA/OROLOGIO in modalità standby.

1. In modalità standby, premere ripetutamente il pulsante CLOCK per selezionare l'orologio a 12 o 24 ore.
2. Girare la manopola MENU/TIME finché non viene visualizzata l'ora corretta.
3. Premere una volta il pulsante CLOCK.
4. Girare la manopola MENU/TIME finché non viene visualizzato il minuto corretto.
5. Premere il pulsante CLOCK per confermare.

**NOTA:** Durante la cottura, è possibile controllare l'ora corrente dell'orologio premendo il pulsante CLOCK.

## COTTURA A MICROONDE

---

1. In modalità standby, premere ripetutamente il pulsante POWER per selezionare il livello di potenza.
2. Girare la manopola MENU/TIME per impostare il tempo di cottura. Il tempo massimo è di 95 minuti.
3. Premere il pulsante AVVIO/AVVIO RAPIDO per confermare.

## Selezionare il livello di potenza premendo il pulsante POWER:

Premere il pulsante POWER	Potenza (display)	Premere il pulsante POWER	Potenza (display)
Una volta	100% (100)	7 volte	40% (40)
Due volte	90% (90)	8 volte	30% (30)
3 volte	80% (80)	9 volte	20% (20)
4 volte	70% (70)	10 volte	10% (10)
5 volte	60% (60)	11 volte	00% (00)
6 volte	50% (50)		

**NOTA:** Durante la cottura, è possibile controllare il livello di potenza di cottura corrente premendo il pulsante POWER.

## CUCINA ESPRESSA

---

Usare questa funzione per programmare il forno a microonde al 100% di potenza in modo conveniente. In modalità standby e con lo sportello del forno chiuso, premere ripetutamente il pulsante START/QUICK START per impostare il tempo di cottura (ogni pressione aumenta di 30 secondi e fino a 10 minuti), il forno parte immediatamente a piena potenza.

## SCONGELAMENTO AUTOMATICO

---

Il tempo di scongelamento e il livello di potenza sono impostati automaticamente una volta programmato il peso del cibo. Il peso del cibo congelato varia da 100 g a 1800 g.

1. In modalità standby, premere una volta il pulsante AUTO DEFROST.
2. Premere ripetutamente il pulsante WEIGHT ADJUST per selezionare il peso del cibo.
3. Premere il pulsante AVVIO/AVVIO RAPIDO per confermare.

**NOTA:** Durante lo sbrinamento, il sistema farà una pausa e un suono per ricordare all'utente di girare il cibo, e poi premere il pulsante START/QUICK START per riprendere lo sbrinamento.

## SCONGELAMENTO RAPIDO

---

1. In modalità standby, premere una volta il pulsante SCONGELAMENTO RAPIDO.
2. Girare la manopola MENU/TIME per impostare il tempo di sbrinamento. Il tempo massimo è di 95 minuti.
3. Premere il pulsante AVVIO/AVVIO RAPIDO per confermare.

**NOTA:** Durante lo sbrinamento, il sistema farà una pausa e un suono per ricordare all'utente di girare il cibo, e poi premere il pulsante START/QUICK START per riprendere lo sbrinamento.

## COTTURA A PIÙ FASI

---

Il forno può essere programmato fino a 2 sequenze di cottura automatiche. Supponiamo di voler impostare il seguente programma di cottura:

Cottura a microonde



Cottura a microonde (con livello di potenza inferiore)

1. Impostare il primo programma di cottura a microonde. Non premere il pulsante START/QUICK START.
2. Impostare il secondo programma di cottura a microonde.
3. Premere il pulsante AVVIO/AVVIO RAPIDO per confermare.

**NOTA:** I menu Express cooking, auto defrost, speed defrost e auto cook non possono essere impostati nella cottura multi-stage.

## PULIZIA AUTOMATICA

---

Mettere una ciotola con 300 g di acqua nel forno e chiudere la porta.

1. In modalità standby, girare il quadrante MENU/TIME in senso antiorario una volta, e poi girare il quadrante finché il display mostra "CLE" e "AUTO".
2. Premere una volta il pulsante WEIGHT ADJUST.
3. Premere il pulsante START/QUICK START per iniziare.

**NOTA:** Il tempo di pulizia è di 10 minuti.

## PRESET

---

Questa funzione permette di avviare il forno in un momento successivo.

1. In modalità standby, inserire un programma di cottura (tranne la cottura espressa, lo scongelamento automatico e lo scongelamento rapido).
2. Premere una volta il pulsante PRESET.
3. Girare la manopola MENU/TIME per impostare la cifra dell'ora.
4. Premere una volta il pulsante PRESET.
5. Girare la manopola MENU/TIME per impostare la cifra dei minuti.
6. Premere il pulsante AVVIO/AVVIO RAPIDO una volta.

**NOTA:** È possibile controllare il tempo del conto alla rovescia premendo il pulsante PRESET, se il pulsante PAUSE/CANCEL viene premuto quando il display mostra il tempo, la funzione può essere annullata.

## SICUREZZA BAMBINI

---

La sicurezza per bambini impedisce l'azionamento non sorvegliato da parte dei bambini.

Per entrare nel blocco bambini: In modalità standby, se non c'è nessuna operazione entro un minuto, il forno entrerà automaticamente in modalità di blocco per bambini e la spia del blocco si accenderà. Nello stato di sicurezza bambini, tutti i pulsanti sono disabilitati.

Per annullare: In modalità blocco bambini, aprire o chiudere lo sportello del forno una volta per cancellare il programma e la spia del blocco si spegne.

## COTTURA AUTOMATICA

---

Per il seguente alimento o modo di cottura, non è necessario programmare il tempo di cottura e la potenza. È sufficiente indicare il tipo di cibo che si desidera cucinare, nonché il peso o le porzioni di questo alimento.

1. In modalità standby, girare una volta il quadrante MENU/TIME in senso antiorario, il display mostra "A-01", poi continuare a girare il quadrante per selezionare altri codici alimentari.
2. Premere ripetutamente il pulsante WEIGHT ADJUST per impostare il peso degli alimenti o le porzioni.
3. Premere il pulsante AVVIO/AVVIO RAPIDO per confermare.

### Menù di cottura automatica:

Codice	Alimenti	Peso/Quantità	Nota
A-01	Latte/caffè/tè (200 ml/tazza, 1-3 tazze)	1 tazza	Il display mostrerà il numero di porzioni invece del peso del cibo
		da 2 dosatori	
		da 3 dosatori	
A-02	Pizza	150 g	
		300 g	
		450 g	
A-03	Patata	100 g	
		200 g	
		300 g	
A-04	Riscaldamento automatico	200 g	
		300 g	
		400 g	
		500 g	
		600 g	
		700 g	
A-05	Pesce	800 g	
		200 g	

<b>Codice</b>	<b>Alimenti</b>	<b>Peso/Quantità</b>	<b>Nota</b>
		300 g	
		400 g	
		500 g	
		600 g	
A-06	Popcorn	100 g	
A-07	Zuppa	200 g	
		400 g	
		600 g	
A-08	Porridge	50 g	
		100 g	
		150 g	
A-09	ortofruttili allo stato naturale	200 g	
		300 g	
		400 g	
		500 g	
		600 g	
A-10	Verdura congelata	200 g	
		300 g	
		400 g	
		500 g	
		600 g	
A-11	Riso	150 g	
		300 g	
		450 g	
		600 g	
A-12	Spaghetti/Pasta	100 g	
		200 g	
		300 g	
A-13	Cena/pasto congelato	250 g	
		500 g	
A-14	Autoclean/ (la prestazione sarebbe la goccia d'acqua piena dell'interno della cavità)		

Il risultato della cottura automatica dipende da fattori quali la forma e le dimensioni degli alimenti, le vostre preferenze personali per quanto riguarda il grado di cottura di alcuni alimenti e anche con che cura introducete gli alimenti nel forno stesso. Se il risultato non dovesse comunque risultare soddisfacente, regolare di conseguenza il tempo di cottura.



# PULIZIA E MANUTENZIONE

1. Spegner e il forno e togliere il cavo di alimentazione dalla presa a muro prima della pulizia.
2. Pulizia all'interno del vano cottura. Quando schizzi di alimenti o liquidi versati aderiscono alle pareti del forno, strofinare con un panno umido. Se il forno è molto sporco, è possibile utilizzare un detergente delicato. Evitare l'uso di spray o altri detersivi aggressivi. Possono macchiare, striare o opacizzare la superficie dello sportello.
3. La parte esterna del forno deve essere pulita con un panno umido. Per evitare danni alle parti operative all'interno del forno, non lasciare che l'acqua penetri nelle aperture di ventilazione.
4. Pulire lo sportello e il vetro su entrambi i lati, le guarnizioni dello sportello e le parti adiacenti frequentemente con un panno umido per rimuovere eventuali fuoriuscite o spruzzi. Non utilizzare detersivi aggressivi.
5. Si sconsiglia l'utilizzo di una pulitrice a vapore.
6. Non lasciare che il pannello di controllo si bagni. Pulire con un panno morbido e umido. Durante la pulizia del pannello di controllo, lasciare lo sportello del forno aperto per evitare che il forno si accenda accidentalmente.
7. Se il vapore si accumula all'interno o all'esterno dello sportello del forno, strofinare con un panno morbido. Ciò può verificarsi quando il forno a microonde viene utilizzato in condizioni di elevata umidità. Tutto questo è normale.
8. Occasionalmente è necessario rimuovere il vassoio in vetro per la pulizia. Lavare il vassoio in acqua tiepida insaponata o in lavastoviglie.
9. L'anello a rulli e il fondo del forno devono essere puliti regolarmente per evitare rumori eccessivi. Pulire semplicemente la superficie inferiore del forno con un detergente delicato. L'anello a rulli può essere lavato in acqua tiepida insaponata o in lavastoviglie. Quando si toglie l'anello a rulli, assicurarsi di riposizionarlo nella posizione corretta.
10. Eliminare gli odori dal forno mescolando una tazza d'acqua con il succo e la buccia di un limone in una ciotola adatta per microonde. Riscaldarla nel microonde per 5 minuti. Risciacquare accuratamente e asciugare con un panno morbido.
11. Se la lampadina si brucia, si prega di contattare il servizio clienti per farla sostituire.
12. Il forno deve essere pulito regolarmente togliendo gli eventuali depositi di alimenti. La mancata conservazione del forno in condizioni di pulizia può portare ad un deterioramento della superficie che potrebbe compromettere la durata dell'elettrodomestico e causare una situazione di pericolo.
13. Non gettare l'elettrodomestico insieme ai rifiuti domestici; deve essere smaltito in un apposito centro di smaltimento messo a disposizione dai comuni.



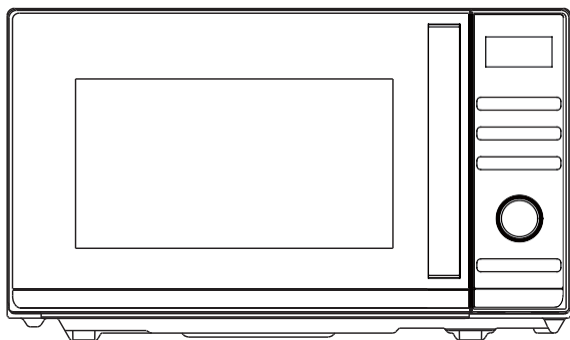
Questo apparecchio è etichettato in conformità alla direttiva europea 2012/19/UE sui rifiuti di apparecchiature elettriche ed elettroniche (Waste Electrical and Electronic Equipment Regulations 2013) per quanto riguarda le apparecchiature elettriche ed elettroniche (WEEE). I RAEE contengono sia sostanze inquinanti (che possono avere un effetto negativo sull'ambiente) sia elementi base (che possono essere riutilizzati). È importante che i RAEE siano sottoposti a trattamenti specifici in modo da togliere e smaltire in modo corretto gli inquinanti e

recuperare tutti i materiali. Spetta ai singoli individui garantire che i RAEE non diventino un problema a livello ambientale. Esistono alcune regole specifiche da rispettare:

- i RAEE non devono essere trattati come rifiuti domestici;
- i RAEE devono essere portati nelle aree di smaltimento specifiche, gestite dai comuni o da società autorizzate.

In molti stati, nel caso di RAEE di grandi dimensioni sono disponibili servizi di prelievo a domicilio. Nel caso di acquisto di un nuovo elettrodomestico, quello vecchio può essere restituito al venditore che lo deve accettare gratuitamente in un'unica soluzione, a condizione che l'elettrodomestico sia di tipo simile ed abbia le stesse funzioni di quello acquistato.

# Instruções do forno de microondas



Modelo: CMWA20TNDB

Leia atentamente estas instruções antes de instalar e operar o forno.

<b>Haier Europe</b> <small>CANDY Haier</small>	<b>PT</b> 📞 707 200 188 210 010 773	<b>IT</b> 📞 02 400 48 200	<b>ES</b> 📞 902 100 150 943 914 150	<b>DE</b> 📞 0800 500 48 48
	<b>BE</b> 📞 02 752 94 10	<b>NL</b> 📞 33 422 4000	<b>AT</b> 📞 0820 220 224	<b>GR</b> 📞 801 11 50 50 50

70017948

# CONTEÚDOS

<b>INSTRUÇÕES DE SEGURANÇA IMPORTANTES .....</b>	<b>2</b>
<b>GUIA DE INSTALAÇÃO.....</b>	<b>5</b>
<b>INSTRUÇÕES DE ATERRAMENTO .....</b>	<b>5</b>
<b>INTERFERÊNCIAS ELECTROMAGNÉTICAS .....</b>	<b>6</b>
<b>ANTES DE CHAMAR AO SERVIÇO .....</b>	<b>6</b>
<b>TÉCNICAS DE COZEDURA .....</b>	<b>7</b>
<b>GUIA DE UTENSÍLIOS DE COZINHA.....</b>	<b>7</b>
<b>ESPECIFICAÇÕES .....</b>	<b>8</b>
<b>DIAGRAMA DO PRODUTO .....</b>	<b>8</b>
<b>PAINEL DE CONTROLO .....</b>	<b>9</b>
<b>INSTRUÇÕES DE FUNCIONAMENTO .....</b>	<b>10</b>
CONFIGURAR O RELÓGIO .....	10
COZIMENTO COM MICROONDAS.....	10
COZINHA EXPRESSA .....	11
TECNOLOGIA NO-FROST.....	11
DESCONGELAMENTO RÁPIDO .....	12
COZINHA EM VÁRIAS FASES.....	12
AUTO LIMPO .....	12
PREDEFINIÇÃO .....	12
BLOQUEIO PARA CRIANÇAS .....	13
MENUS AUTOMÁTICOS .....	13
<b>LIMPEZA E MANUTENÇÃO .....</b>	<b>15</b>

# PRECAUÇÕES PARA EVITAR POSSÍVEIS EXPOSIÇÕES À ENERGIA EXCESSIVA DE MICRO-ONDAS

1. Não tente operar este forno com a porta aberta, pois o funcionamento de porta aberta pode resultar em exposição nociva à energia de microondas. É importante não derrotar ou adulterar as travas de segurança.
2. Não colocar nenhum objeto entre a face frontal do forno e a porta ou permitir que se acumulem resíduos nas superfícies vedantes.
3. Não operar o forno se este estiver danificado. É muito importante que a porta do forno se feche correctamente e que não haja danos para a
  - a) Porta (incluindo qualquer dobra),
  - b) Dobradiças e fechos (quebrados ou afrouxados),
  - c) Selagem de portas e superfícies de selagem.
4. O forno não deve ser ajustado ou reparado por ninguém, excepto por pessoal de serviço qualificado.

# INSTRUÇÕES DE SEGURANÇA IMPORTANTES

Ao utilizar aparelhos eléctricos devem ser seguidas as precauções básicas de segurança, incluindo as seguintes:

**ADVERTÊNCIA!**--Diminuir o risco de queimaduras, choques eléctricos, incêndios, ferimentos em pessoas ou exposição a energia excessiva de microondas:

1. Utilizar este aparelho apenas para o seu uso pretendido, tal como descrito no manual. Nunca utilize produtos corrosivos neste forno, nem permita que ele seja exposto a vapores de produtos corrosivos. Este tipo de forno é especificamente concebido para aquecer, cozinhar ou secar alimentos. Ele não foi concebido para uma utilização industrial nem laboratorial.
2. NUNCA utilize o forno quando este estiver vazio.
3. Não operar este aparelho se tiver um cabo ou ficha danificados, se não estiver a funcionar correctamente, ou se tiver sido danificado ou caído. Se o cabo de alimentação estiver danificado, deve ser substituído pelo fabricante, pelo seu agente de serviço ou por pessoa qualificada, para evitar perigo.
4. **ADVERTÊNCIA!**--Apenas permitir que as crianças utilizem o forno sem supervisão quando tiverem sido dadas instruções adequadas para que a criança possa utilizar o forno de uma forma segura e compreenda os perigos de uma utilização inadequada.
5. Para reduzir o risco de incêndio na cavidade do forno:

- Ao aquecer alimentos em recipientes de plástico ou papel, vigiar o forno devido à possibilidade de inflamação.
  - Remover os cordões de arame dos sacos de papel ou plástico antes de colocar o saco no forno.
  - Se fizer fumo, desligar o aparelho e manter a porta fechada para abafar algumas chamas.
  - Não utilizar a cavidade para fins de armazenamento. Não deixar produtos de papel, utensílios de cozinha, ou alimentos na cavidade quando não estiverem a ser utilizados.
  - O forno de microondas destina-se ao aquecimento de alimentos e bebidas. A secagem de alimentos ou vestuário e o aquecimento de almofadas de aquecimento, chinelos, esponjas, pano húmido e similares podem levar ao risco de ferimentos, ignição ou fogo.
6. **ADVERTÊNCIA!**--Os líquidos ou outros alimentos não devem ser aquecidos em recipientes selados, uma vez que são susceptíveis de explodir.
  7. O aquecimento por microondas de bebidas pode resultar em fervura eruptiva retardada, pelo que se deve ter cuidado ao manusear o recipiente.
  8. Não fritar os alimentos no forno. O óleo quente pode danificar partes do forno e utensílios e até resultar em queimaduras na pele.
  9. Nunca cozinhe ovos com casca nem aqueça ovos cozidos inteiros no forno microondas, pois corre o risco de eles explodirem depois de o forno se desligar.
  10. Perfurar alimentos com peles pesadas, tais como batatas, abóboras inteiras, maçãs e castanhas antes de cozinhar.
  11. O conteúdo dos biberões e boiões de comida para bebé deve ser mexido ou abanado e a temperatura deve ser verificada antes de servir, a fim de evitar queimaduras.
  12. Os utensílios de cozinha podem ficar quentes por causa do calor transferido dos alimentos aquecidos. Podem ser necessários porta-objects para manusear o utensílio.
  13. Os utensílios devem ser verificados para garantir que são adequados para utilização em fornos de microondas.
  14. **ADVERTÊNCIA!**--É perigoso para qualquer pessoa que não seja uma pessoa treinada realizar qualquer serviço ou operação de reparação que envolva a remoção de qualquer cobertura que dê protecção contra a exposição à energia de microondas.
  15. Este produto é um equipamento ISM Classe B do Grupo 2. A definição do Grupo 2 que contém todo o equipamento ISM (Industrial, Científico e Médico) em que a energia de radiofrequência é intencionalmente gerada e/ou utilizada sob a forma de radiação electromagnética para o tratamento de material, e equipamento de centelha de erosão. Para a classe B, o equipamento é adequado para utilização em estabelecimentos domésticos e em estabelecimentos directamente ligados a uma rede de alimentação eléctrica de baixa tensão que abastece edifícios utilizados para fins domésticos.
  16. Este aparelho não se destina a ser utilizado por pessoas (incluindo crianças) com capacidades físicas, sensoriais ou mentais reduzidas, ou falta de experiência e conhecimento, exceto se tiverem recebido instruções relativas à utilização do mesmo por uma pessoa responsável pela sua segurança.
  17. As crianças devem ser supervisionadas para garantir que não brincam com o equipamento.

18. O forno de microondas só é utilizado em regime de livre utilização.
19. **ADVERTÊNCIA!**--Não instalar o forno sobre um fogão de gama ou outro aparelho produtor de calor. se instalado poderia ser danificado e a garantia seria evitada .
20. O forno de microondas não deve ser colocado num armário.
21. **ADVERTÊNCIA!**: o equipamento e as partes acessíveis estão quentes durante a utilização.
22. **ADVERTÊNCIA!**--As partes acessíveis podem ficar quentes durante a utilização. As crianças pequenas devem ser mantidas afastadas.
23. Durante a utilização, o aparelho fica quente. Deve-se ter o cuidado de evitar tocar nos elementos de aquecimento no interior do forno, para cozer ao ar livre e fornos.
24. A temperatura das superfícies acessíveis pode ser elevada quando o aparelho está em funcionamento.
25. O aparelho deve ser colocado contra uma parede.
26. O aparelho não deve ser usado por crianças ou pessoas com capacidades físicas, sensoriais ou mentais reduzidas, ou com falta de experiência e conhecimento, a menos que tenham recebido supervisão ou instruções.
27. **ADVERTÊNCIA!**--Se a porta ou as juntas da porta forem danificadas, o forno não deve ser operado até que tenha sido reparado por uma pessoa competente.
28. O equipamento não foi desenhado para ser operado através de um temporizador externo ou sistema de controlo remoto separado.
29. O forno de microondas é apenas para uso doméstico e não para uso comercial.
30. Nunca remover o suporte de distância na parte de trás ou nos lados, pois garante uma distância mínima da parede para a circulação de ar.
31. Por favor, prenda o prato antes de mover o aparelho para evitar danos.
32. **CUIDADO!**--É perigoso reparar ou manter o aparelho apenas por um especialista, porque nestas circunstâncias a cobertura tem de ser removida, o que assegura a protecção contra a radiação de microondas. Isto aplica-se também à mudança do cabo de alimentação ou da iluminação. Enviar o aparelho nestes casos para o nosso centro de serviços.
33. O forno de microondas destina-se apenas à descongelação, cozedura e estufagem de alimentos.
34. Usar luvas se remover qualquer alimento aquecido.
35. Cuidado! O vapor escapará, ao abrir as tampas ou ao embrulhar a folha.
36. Este equipamento pode ser usado por crianças a partir dos 8 anos de idade e por pessoas com incapacidade física, sensorial ou mental, ou sem experiência e conhecimentos para o fazer, desde que supervisionadas ou devidamente orientadas relativamente ao uso seguro do equipamento e sobre os perigos envolvidos. As crianças não podem brincar com o equipamento. A limpeza e a manutenção não devem ser efetuadas por crianças, a não ser que tenham mais de 8 anos e que sejam supervisionadas.
37. Se fizer fumo, desligar o aparelho e manter a porta fechada para abafar algumas chamas.

# GUIA DE INSTALAÇÃO

1. Certificar-se de que todos os materiais de embalagem são removidos do interior da porta.
2. **ADVERTÊNCIA!**--Verifiquem o forno quanto a quaisquer danos, tais como porta desalinhada ou dobrada, vedações de porta e superfície de vedação danificadas, dobradiças de porta partidas ou soltas e fechos e amolgadelas no interior da cavidade ou na porta. Se houver algum dano, não operar o forno e contactar pessoal de serviço qualificado.
3. Este forno microondas deve ser colocado sobre uma superfície plana e estável para manter o seu peso e os alimentos mais pesados susceptíveis de serem cozinhados no forno.
4. Não colocar o forno onde é gerado calor, humidade, ou humidade elevada, ou perto de materiais combustíveis.
5. Para um funcionamento correcto, o forno deve ter fluxo de ar suficiente. Deixar 20cm de espaço acima do forno, 10cm atrás e 5cm em ambos os lados. Não cubra nem bloquee quaisquer aberturas no aparelho. Não retirar os pés.
6. Não operar o forno sem bandeja de vidro, suporte de rolos, e eixo nas suas posições adequadas.
7. Certifique-se de que o cabo de alimentação não está danificado e não corre sob o forno ou sobre qualquer superfície quente ou afiada.
8. A tomada deve ser facilmente acessível para que possa ser facilmente desconectada em caso de emergência.
9. Não utilizar o forno ao ar livre.

## INSTRUÇÕES DE ATERRAMENTO

Este aparelho deve ser ligado à terra. Este forno está equipado com um cordão com um fio de aterramento com uma ficha de aterramento. Deve ser ligado a um recipiente de parede devidamente instalado e ligado à terra. No caso de um curto-circuito, a ligação à terra reduz o risco de choque eléctrico ao fornecer um fio de fuga para a corrente eléctrica. Recomenda-se que seja fornecido um circuito separado que sirva apenas o forno. A utilização de alta voltagem é perigosa e pode resultar num incêndio ou outro acidente causando danos no forno.

**ADVERTÊNCIA!**--O uso incorrecto da ficha de ligação à terra pode resultar num risco de choque eléctrico.

Nota:

1. Se tiver quaisquer perguntas sobre a ligação à terra ou instruções eléctricas, consulte um electricista qualificado ou uma pessoa de serviço.
2. Nem o fabricante nem o revendedor podem aceitar qualquer responsabilidade por danos no forno ou ferimentos pessoais resultantes da não observância dos procedimentos de ligação eléctrica.



Os fios neste cabo principal são coloridos de acordo com o seguinte código:

**Verde e amarelo TERRA**

**Azul = Neutro**

**Marrom = Vivo**

## **INTERFERÊNCIAS ELECTROMAGNÉTICAS**

O funcionamento do forno de microondas pode causar interferências no seu rádio, televisão ou equipamento semelhante. Quando há interferência, esta pode ser reduzida ou eliminada através da adopção das seguintes medidas:

1. Limpar a porta e a superfície de vedação do forno.
2. Reorientar a antena de recepção de rádio ou televisão.
3. Mudar a localização do forno de microondas em relação ao receptor.
4. Afastar o forno de microondas do receptor.
5. Ligar o forno de microondas a uma tomada diferente para que o forno de microondas e o receptor estejam em circuitos de ramificação diferentes.

## **ANTES DE CHAMAR AO SERVIÇO**

Antes de pedir o serviço, por favor verifique cada item abaixo:

- Verificar se o forno está ligado com segurança. Caso contrário, remover a ficha da tomada, esperar 10 segundos, e ligá-la novamente em segurança.
- Verificar se há um fusível queimado ou um disjuntor principal activado. Se estes parecerem estar a funcionar correctamente, testar a tomada com outro aparelho.
- Verificar se o painel de controlo está programado correctamente e se o temporizador está definido.
- Verificar se a porta está bem fechada, encaixando o sistema de fecho da porta. Se a porta não estiver devidamente fechada, a energia do microondas não fluirá para dentro.

**SE NENHUMA DAS SITUAÇÕES ACIMA REFERIDAS RECTIFICAR A SITUAÇÃO, ENTÃO CONTACTAR UM TÉCNICO QUALIFICADO. NÃO TENDE AJUSTAR OU REPARAR O FORNO VOCÊ MESMO.**

# TÉCNICAS DE COZEDURA

1. Organizar cuidadosamente os alimentos. Colocar as áreas mais espessas em direcção ao exterior do prato.
2. Observar o tempo de cozedura. Cozinhar durante o menor período de tempo indicado e adicionar mais conforme necessário. Os alimentos muito cozinhados podem fumar ou incendiar-se.
3. Cobrir os alimentos enquanto cozinham. As coberturas evitam salpicos e ajudam os alimentos a cozinhar de forma homogénea.
4. Virar os alimentos uma vez durante a cozedura no microondas para acelerar a cozedura de alimentos como o frango e os hambúrgueres. Grandes itens como assados devem ser virados pelo menos uma vez.
5. Reorganizar alimentos tais como almôndegas a meio caminho da cozedura tanto de cima para baixo como do centro do prato para o exterior.

# GUIA DE UTENSÍLIOS DE COZINHA

1. As micro-ondas não conseguem penetrar o metal. Utilizar apenas utensílios adequados para utilização em fornos de microondas. Os recipientes metálicos para alimentos e bebidas não são permitidos durante a cozedura no microondas. Este requisito não é aplicável se o fabricante especificar o tamanho e a forma dos recipientes metálicos adequados para cozinhar no microondas.
2. As microondas não podem penetrar o metal, pelo que não devem ser utilizados utensílios metálicos ou pratos com guarnições metálicas.
3. Não utilizar produtos de papel reciclado ao cozinhar no microondas, pois podem conter pequenos fragmentos de metal que podem causar faíscas e/ou incêndios.
4. Recomenda-se pratos redondos/ovais em vez de quadrados/oblongos, uma vez que a comida nos cantos tende a cozer em demasia.
5. Tiras estreitas de folha de alumínio podem ser usadas para evitar a cozedura excessiva de áreas expostas. Mas tenha cuidado, não use demasiado e mantenha uma distância de 2,54cm (1 polegada) entre a folha e a cavidade.

A lista abaixo é um guia geral para o ajudar a seleccionar os utensílios correctos.

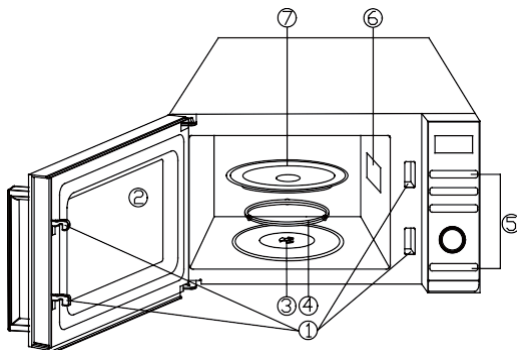
Utensílios de cozinha	Cozinhar no micro-ondas
Vidro Resistente ao Calor	Sim
Vidro não resistente ao calor	Não
Cerâmica resistente ao calor	Sim
Prato de Plástico Micro-Ondas-Safe	Sim
Papel de cozinha	Sim
Bandeja metálica	Não
Bastidor metálico	Não
Folha de Alumínio e Recipientes de Folha de Alumínio	Não

## ESPECIFICAÇÕES

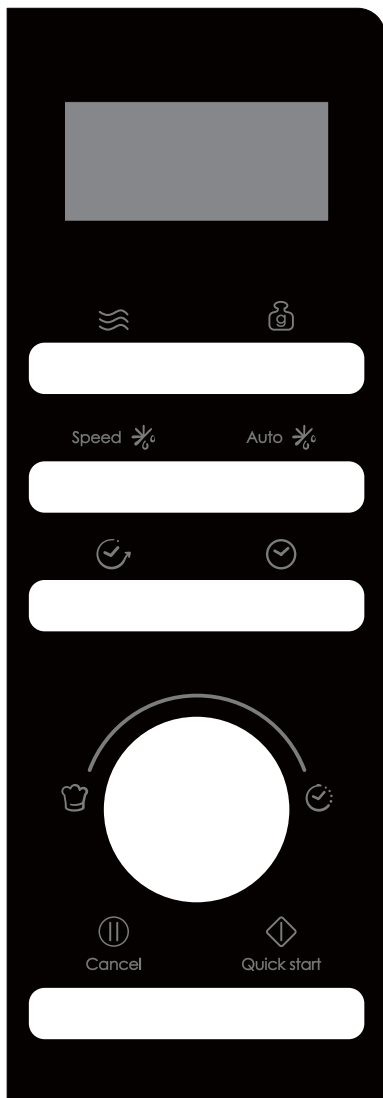
Consumo de Energia	230-240V/50Hz, 1200W(microwave)
Resultado	700 W
Frequência de operação	2450MHz
Dimensões externas:	262mm(H)×452mm(W)×346mm(D)
Dimensões do interior do forno:	198mm(H)×315mm(W)×297mm(D)
Capacidade do Forno:	Compacto 20Litros
Peso Líquido:	Aprox.10.8kg

## DIAGRAMA DO PRODUTO

1. Sistema de Fecho de Segurança de Portas
  2. VIDRO DO FORNO
  3. Eixo
  4. Anel de rolete
  5. Painel de controlo
  6. guia de ondas
- (Por favor não remova a placa de mica que cobre a guia de ondas)
7. Bandeja em vidro



# PAINEL DE CONTROLO



## ● VISOR

O tempo de cozedura, a potência, os indicadores e a hora do relógio são exibidos.

## ● POWER

Pressione para definir o nível de potência de cozedura no microondas.

## ● AJUSTE DO PESO

Pressione para definir o peso dos alimentos ou porções.

## ● VELOCIDADE DEFROST Speed

Pressione para descongelar os alimentos com base no tempo.

## ● AUTO DEFROST Auto

Pressione para descongelar os alimentos com base no peso.

## ● PRESET

Utilizar para pôr o forno a funcionar mais tarde.

## ● RELÓGIO

Pressione para acertar a hora do relógio.

## ● MENU/TIME (marcar)

Virar para definir o tempo e seleccionar os menus de cozedura automática.

## ● PAUSA/CANCELA Cancel


Pressione uma vez para parar temporariamente de cozinhar, ou duas vezes para cancelar completamente a cozedura.

## ● INÍCIO/ARRANQUE RÁPIDO Quick start

Pressione para iniciar programas de cozedura e descongelação.

Basta premir várias vezes para definir o tempo de cozedura e cozinhar imediatamente ao nível da potência máxima.

# INSTRUÇÕES DE FUNCIONAMENTO

- Quando o forno for ligado pela primeira vez, soará um sinal sonoro e o visor mostrará " e "1:01".
- No processo de afinação, partiu-se cerca de 30 segundos e o forno voltará ao modo de espera.
- Durante a cozedura, se premir uma vez o botão PAUSE/CANCEL, o programa será pausado, depois premir o botão START/QUICK START para retomar. Mas se pressionar duas vezes o botão PAUSE/CANCEL, o programa será cancelado.
- Após o final da cozedura, o visor mostrará End e o sinal sonoro soará a cada dois minutos até o utilizador premir qualquer botão ou abrir a porta.

## CONFIGURAR O RELÓGIO

---

Este é um relógio de 12 ou 24 horas. Pode escolher acertar o tempo do relógio em 12 ou 24 horas premindo o botão CLOCK em modo de espera.

1. Em modo de espera, premir repetidamente o botão CLOCK para seleccionar o relógio de 12 ou 24 horas.
2. Rodar MENU/TIME até ser exibida a hora correcta.
3. Carregar uma vez no botão CLOCK.
4. Rodar MENU/TIME até ser exibido o minuto correcto.
5. Prima o botão CLOCK para confirmar.

**NOTA:** Durante a cozedura, pode verificar a hora actual do relógio premindo o botão CLOCK.

## COZIMENTO COM MICROONDAS

---

1. Em modo de espera, premir repetidamente o botão POWER para seleccionar o nível de potência.
2. Rodar o botão MENU/TIME para definir o tempo de cozedura. O tempo mais longo é de 95 minutos.
3. Prima o botão START/QUICK START para confirmar.

## Seleccionar o nível de potência pressionando o botão POWER:

Pressione o botão POWER	Energia (visor)	Pressione o botão POWER	Energia (visor)
Uma vez	100% (100)	7 tempos	40% (40)
Duas vezes	90% (90)	8 tempos	30% (30)
3 tempos	80% (80)	9 tempos	20% (20)
4 tempos	70% (70)	10 tempos	10% (10)
5 tempos	60% (60)	11 tempos	00% (00)
6 tempos	50% (50)		

**NOTA:** Durante a cozedura, pode verificar o actual nível de potência de cozedura premindo o botão POWER.

## COZINHA EXPRESSA

---

Utilize esta funcionalidade para programar convenientemente o forno para alimentos de microondas a 100% de potência. No modo de espera e a porta do forno está fechada, premir repetidamente o botão START/QUICK START para definir o tempo de cozedura (cada pressão para aumentar 30 segundos, e até 10 minutos), o forno começa imediatamente na potência máxima.

## TECNOLOGIA NO-FROST

---

O tempo de descongelação e o nível de potência são automaticamente definidos assim que o peso dos alimentos é programado. O peso dos alimentos congelados varia de 100 g a 1800 g.

1. Em modo de espera, premir uma vez o botão AUTO DEFROST.
2. Prima repetidamente o botão WEIGHT ADJUST para seleccionar o peso dos alimentos.
3. Prima o botão START/QUICK START para confirmar.

**NOTA:** Durante a descongelação, o sistema fará uma pausa e soará para lembrar o utilizador de virar os alimentos, e depois premir o botão START/QUICK START para retomar a descongelação.

## DESCONGELAMENTO RÁPIDO

---

1. Em modo de espera, premir uma vez o botão SPEED DEFROST.
2. Rodar MENU/TIME para definir o tempo de descongelamento. O tempo mais longo é de 95 minutos.
3. Prima o botão START/QUICK START para confirmar.

**NOTA:** Durante a descongelação, o sistema fará uma pausa e soará para lembrar o utilizador de virar os alimentos, e depois premir o botão START/QUICK START para retomar a descongelação.

## COZINHA EM VÁRIAS FASES

---

O seu forno pode ser programado para um máximo de 2 sequências de cozedura automáticas. Suponha que pretende definir o seguinte programa de culinária:

Cozimento com microondas



Cozedura em micro-ondas (com nível de potência inferior)

1. Introduzir o primeiro programa de cozedura no microondas. Não prima o botão START/QUICK START.
2. Introduzir o segundo programa de cozedura no microondas.
3. Prima o botão START/QUICK START para confirmar.

**NOTA:** Os menus de cozedura expressa, degelo automático, degelo rápido e cozedura automática não podem ser definidos em cozedura em várias fases.

## AUTO LIMPO

---

Colocar uma taça de 300 g de água no forno e fechar a porta.

1. No modo de espera, rodar MENU/TIME uma vez no sentido anti-horário, e depois rodar o mostrador até o mostrador mostrar “CLE” e “AUTO”.
2. Prima o botão WEIGHT ADJUST uma vez.
3. Prima o botão START/QUICK START para começar.

**NOTA:** O tempo de limpeza é de 10 minutos.

## PREDEFINIÇÃO

---

Esta função permite que o forno comece a funcionar mais tarde.

1. Em modo de espera, introduzir um programa de cozedura (excepto cozedura expressa, descongelação automática e descongelação rápida).
2. Carregar uma vez no botão PRESET.
3. Rode o botão MENU/TIME para definir o dígito da hora.
4. Carregar uma vez no botão PRESET.
5. Rode o botão MENU/TIME para definir o dígito dos minutos.
6. Carregar uma vez no botão START/QUICK START.

**NOTA:** Pode verificar o tempo de contagem decrescente premindo o botão PRESET, se o botão PAUSE/CANCEL for premido quando o visor mostrar a hora, a função pode ser cancelada.

## BLOQUEIO PARA CRIANÇAS

A fechadura para crianças impede a operação não supervisionada por crianças.

Para entrar na fechadura para crianças: Em modo de espera, se não houver qualquer operação dentro de um minuto, o forno entrará automaticamente no modo de bloqueio de crianças e a luz indicadora de bloqueio acender-se-á. No estado de bloqueio, todos os botões estão desactivados.

Para cancelar: No modo de bloqueio de crianças, abrir ou fechar uma vez a porta do forno para cancelar o programa e a luz indicadora de bloqueio apagar-se-á.

## MENUS AUTOMÁTICOS

Para os seguintes alimentos ou modo de cozedura, não é necessário programar o tempo de cozedura e a potência. É suficiente indicar o tipo de comida que se quer cozinhar, bem como o peso ou porções desta comida.

1. No modo de espera, rodar MENU/TIME no sentido contrário ao dos ponteiros do relógio uma vez, o mostrador mostra "A-01", depois continuar a rodar o mostrador para seleccionar outros códigos alimentares.
2. Premir repetidamente o botão WEIGHT ADJUST para definir o peso dos alimentos ou das porções.
3. Prima o botão START/QUICK START para confirmar.

### Menus de cozinha automática:

Código	Alimentos	Peso/ Quantidade	Observação
A-01	Leite/Café/Tea (200 ml/copa, 1-3 chávenas)	1 chávena	A exposição mostrará o número de porções em vez do peso dos alimentos
		2 chávenas	
		3 chávenas	
A-02	Pizza	150 g	
		300 g	
		450 g	
A-03	Batata	100 g	
		200 g	
		300 g	
A-04	Reaquecer Auto	200 g	
		300 g	
		400 g	
		500 g	
		600 g	
		700 g	
A-05	Peixe	800 g	
		200 g	
		300 g	



<b>Código</b>	<b>Alimentos</b>	<b>Peso/ Quantidade</b>	<b>Observação</b>
		400 g	
		500 g	
		600 g	
A-06	Pipocas	100 g	
A-07	Sopa	200 g	
		400 g	
		600 g	
A-08	Papás	50 g	
		100 g	
		150 g	
A-09	produto hortícola no estado natural	200 g	
		300 g	
		400 g	
		500 g	
		600 g	
A-10	Vegetais congelados	200 g	
		300 g	
		400 g	
		500 g	
		600 g	
A-11	Arroz	150 g	
		300 g	
		450 g	
		600 g	
A-12	Espaguete/Pasta	100 g	
		200 g	
		300 g	
A-13	Jantar/alimento congelado	250 g	
		500 g	
A-14	Autoclean/ (o desempenho seria a gota de água cheia do interior da cavidade)		

O resultado da cozedura automática depende de factores tais como a forma e o tamanho dos alimentos, as suas preferências pessoais quanto à doçura de certos alimentos e mesmo o quão bem se colocam os alimentos no forno. Se o resultado não for satisfatório, por favor ajuste o tempo de cozedura um pouco em conformidade.

# LIMPEZA E MANUTENÇÃO

1. Desligue o forno e desligue o cabo de alimentação da parede ao limpar.
2. Manter o interior do forno limpo. Quando salpicos de comida ou líquidos derramados aderem às paredes do forno, limpe com um pano húmido. Podem ser utilizados detergentes suaves se o forno ficar muito sujo. Evitar o uso de spray ou outros produtos de limpeza agressivos. Podem manchar, riscar ou entorpecer a superfície da porta.
3. O exterior do forno deve ser limpo com um pano húmido. Para evitar danos nas partes operacionais no interior do forno, não se deve permitir a infiltração de água nas aberturas de ventilação.
4. Limpar a porta e a janela de ambos os lados, as juntas da porta e as partes adjacentes frequentemente com um pano húmido para remover quaisquer derrames ou salpicos. Não utilizar produto de limpeza abrasivo.
5. Não é utilizado um aparelho de limpeza a vapor.
6. Não permitir que o painel de controlo fique molhado. Limpe com um pano macio e úmido. Ao limpar o painel de controlo, deixar a porta do forno aberta para evitar que o forno se ligue acidentalmente.
7. Se o vapor se acumular dentro ou à volta da porta do forno, limpe com um pano macio. Isto pode ocorrer quando o forno de microondas é operado sob condições de humidade elevada. É normal.
8. É ocasionalmente necessário retirar o tabuleiro de vidro para limpeza. Lavar o tabuleiro em água quente com gás ou numa máquina de lavar louça.
9. O anel de roletes e o chão do forno devem ser limpos regularmente para evitar ruídos excessivos. Limpar simplesmente a superfície inferior do forno com detergente suave. O anel de rolo pode ser lavado em água suave, com sabão ou numa máquina de lavar louça. Ao remover o anel de rolete, certifique-se de que o substitui na posição correcta.
10. Retire os odores do seu forno combinando uma chávena de água com o sumo e a pele de um limão numa tigela que pode ser colocada no microondas. Microondas durante 5 minutos. Limpar bem e secar com um pano macio.
11. Se a lâmpada se queimar, contactar o serviço ao cliente para que seja substituída.
12. O forno deve ser limpo regularmente e todos os resíduos de alimentos devem ser removidos. A não manutenção do forno num estado limpo poderia levar à deterioração da superfície que poderia afectar negativamente a vida útil da unidade e poderia possivelmente resultar numa situação perigosa.
13. Por favor, não deitar este aparelho no caixote do lixo doméstico; ele deve ser deitado no centro de eliminação específico fornecido pelos municípios.



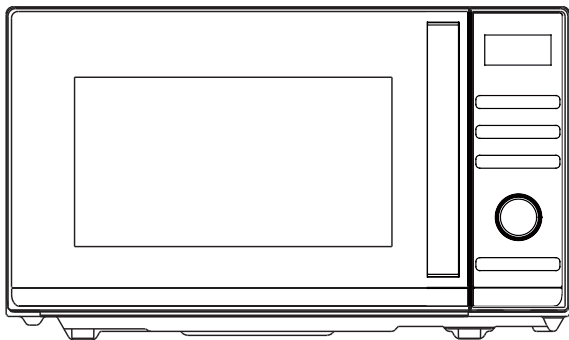
Este aparelho está rotulado em conformidade com a Diretiva Europeia 2012/19/UE relativa aos resíduos de equipamentos elétricos e eletrónicos (REEE) 2013 em relação aos aparelhos elétricos e eletrónicos. Os REEE contêm substâncias poluentes (que podem ter um efeito negativo sobre o meio ambiente) e elementos base (que podem ser reutilizados). É importante que os REEE sejam submetidos a tratamentos específicos para remover e eliminar os poluentes e recuperar todos os materiais. As pessoas podem desempenhar um

papel importante para garantir que os REEE não representem um problema ambiental; é essencial que sejam cumpridas algumas normas básicas:

- Os REEE não devem ser tratados como lixo doméstico;
- Os REEE devem ser levados para áreas de recolha dedicadas administradas pelo município ou por uma empresa registada.

Em muitos países, as recolhas domésticas podem estar disponíveis para grandes REEEs. Quando compra um aparelho novo, o antigo pode ser devolvido ao revendedor, que deve aceitar tratar da recolha gratuitamente, desde que o equipamento seja de um tipo equivalente e tenha as mesmas funções do equipamento fornecido.

# Návod k mikrovlnnej rúre



Model: CMWA20TNDB

Pred inštaláciou a obsluhou rúry si pozorne prečítajte tento návod.

<b>Haier Europe</b> Candy Haier	<b>PT</b> 707 200 188 210 010 773	<b>IT</b> 02 400 48 200	<b>ES</b> 902 100 150 943 914 150	<b>DE</b> 0800 500 48 48
<b>BE</b> <b>LU</b>	<b>NL</b>	<b>AT</b>	<b>GR</b>	<b>CH</b>
02 752 94 10	33 422 4000	0820 220 224	801 11 50 50 50	0848 780 780

70017948

# OBSAH

<b>DÔLEŽITÉ BEZPEČNOSTNÉ POKYNY .....</b>	<b>2</b>
<b>NÁVOD NA INŠTALÁCIU.....</b>	<b>4</b>
<b>POKYNY NA UZEMNENIE.....</b>	<b>5</b>
<b>RÁDIOVÉ RUŠENIE .....</b>	<b>5</b>
<b>PRED VYŽIADANÍM SLUŽBY .....</b>	<b>6</b>
<b>TECHNIKY VARENIA.....</b>	<b>6</b>
<b>SPRIEVODCA KUCHYNSKÝM NÁČINÍM .....</b>	<b>6</b>
<b>ŠPECIFIKÁCIE .....</b>	<b>7</b>
<b>DIAGRAM PRODUKTU .....</b>	<b>8</b>
<b>OVLÁDACÍ PANEL.....</b>	<b>9</b>
<b>NÁVOD NA OBSLUHU .....</b>	<b>10</b>
<b>NASTAVENIE HODÍN .....</b>	<b>10</b>
<b>MIKROVLNNÁ PRÍPRAVA JEDLA .....</b>	<b>10</b>
<b>EXPRESNÉ VARENIE.....</b>	<b>11</b>
<b>AUTOMATICKÉ ROZMRAZOVANIE .....</b>	<b>11</b>
<b>RÝCHLE ROZMRAZOVANIE.....</b>	<b>11</b>
<b>VIACSTUPŇOVÉ VARENIE .....</b>	<b>11</b>
<b>AUTOMATICKÉ ČISTENIE.....</b>	<b>12</b>
<b>PREDVOLENÁ .....</b>	<b>12</b>
<b>DETSKÁ POISTKA .....</b>	<b>12</b>
<b>AUTOMATICKÉ VARENIE .....</b>	<b>12</b>
<b>ČISTENIE A ÚDRŽBA .....</b>	<b>14</b>

# OPATRENIA NA ZABRÁNENIE MOŽNÉMU VYSTAVENIU NADMERNEJ MIKROVLNNEJ ENERGII

1. Nepokúšajte sa používať túto rúru s otvorenými dvierkami, pretože prevádzka s otvorenými dvierkami môže mať za následok škodlivé vystavenie mikrovlnnej energii. Je dôležité, aby ste nepoškodili bezpečnostné zámky ani s nimi nemanipulovali.
2. Medzi čelnú plochu rúry a dvierka neumiestňujte žiadne predmety, ani nedovoľte, aby sa na tesniacich plochách nahromadila špina alebo zvyšky čistiaceho prostriedku.
3. Ak je rúra poškodená, nepoužívajte ju. Je veľmi dôležité, aby sa dvierka rúry riadne zatvorili a aby nedošlo k poškodeniu
  - a) Dvierka (vrátane akýchkoľvek ohnutých),
  - b) Závesy a západky (zlomené alebo uvoľnené),
  - c) Tesnenia dvierok a tesniace plochy.
4. Rúra by mal nastavovať a opravovať len kvalifikovaný servisný personál.

## DÔLEŽITÉ BEZPEČNOSTNÉ POKYNY

Pri používaní elektrického spotrebiča sa majú dodržiavať základné bezpečnostné opatrenia vrátane:

**UPOZORNENIE!** Na zníženie rizika popálenín, úrazu elektrickým prúdom, požiaru, zranenia osôb alebo vystavenia nadmernej mikrovlnnej energii:

1. Tento spotrebič používajte len na zamýšľané použitie, ako je opísané v návode. Na tento spotrebič nepoužívajte korozívne chemikálie ani výpary. Tento typ rúry je špeciálne navrhnutý na ohrev, varenie alebo sušenie potravín. Nie je určený na priemyselné alebo laboratórne použitie.
2. Ak je rúra prázdna, nepoužívajte ju.
3. Nepoužívajte tento spotrebič, ak má poškodený kábel alebo zástrčku, ak nefunguje správne, alebo ak bol poškodený alebo spadol. Ak došlo k poškodeniu napájacieho kábla, musí ho vymeniť výrobca, jeho servisný zástupca alebo podobne spôsobilá osoba, aby nedošlo k nebezpečenstvu.
4. **UPOZORNENIE!** Deti môžu používať rúru bez dozoru len vtedy, ak im boli poskytnuté primerané pokyny na to, aby mohli používať rúru bezpečným spôsobom a pochopili nebezpečenstvo spojené s nesprávnym použitím.
5. Aby sa znížilo riziko požiaru vo vnútri rúry:

- Pri ohrievaní potravín v plastových alebo papierových nádobách sledujte rúru kvôli možnosti vznietenia.
  - Pred vloženíím vrečka do rúry odstráňte drôtené spony z papierových alebo plastových vreciek.
  - Ak spozorujete dym, vypnite alebo odpojte spotrebič a nechajte dverka zatvorené, aby ste udusili všetok plameň.
  - Nepoužívajte vnútro rúry na skladovacie účely. Ak sa nepoužíva, nenechávajte vo vnútri papierové výrobky, kuchynské potreby ani jedlo.
  - Mikrovlnná rúra je určená na ohrev jedál a nápojov. Sušenie potravín alebo odevov a ohrev otepľovacích podložiek, papúč, špongií, vlhkej handričky a podobne môže viesť k riziku poranenia, vznietenia alebo požiaru.
6. **UPOZORNENIE!** Kvapalnú alebo inú potraviny sa nesmú zahrievať v uzavretých nádobách, pretože by mohli vybuchnúť.
  7. Ohrievanie nápoja mikrovlnnou rúrou môže viesť k oneskorenému erupčivému varu, preto sa pri manipulácii s nádobou musí postupovať opatrne.
  8. Nesmažte jedlo v rúre. Horúci olej môže poškodiť časti rúry a príslušenstvo a dokonca spôsobiť popáleniny pokožky.
  9. Vajcia v škrupine a celé vajcia varené na tvrdo by sa nemali zahrievať v mikrovlnných rúrach, pretože môžu vybuchnúť aj po ukončení zahrievania v mikrovlnnej rúre.
  10. Potraviny s hrubou kožou, ako sú zemiaky, celé tekvice, jablká a gaštany, pred varením prepichnete.
  11. Obsah krmných fliaš a detských pohárov by sa mal miešať alebo pretrepávať a pred podaním by sa mala skontrolovať teplota, aby sa zabránilo popáleninám.
  12. Kuchynské nádoby sa môžu zohriať v dôsledku tepla prenášaného z ohrievaných potravín. Na manipuláciu s nádobami môžu byť potrebné kuchynské chňapky.
  13. Nádoby by sa mali skontrolovať, aby sa zabezpečilo, že sú vhodné na použitie v mikrovlnnej rúre.
  14. **UPOZORNENIE!** Je nebezpečné, aby akúkoľvek servisnú alebo opravnú operáciu, ktorá zahŕňa odstránenie akéhokoľvek krytu, ktorý poskytuje ochranu pred vystavením mikrovlnnej energii, vykonala osoba, ktorá nie je vyškolená.
  15. Tento výrobok patrí do skupiny 2 triedy B ISM. Definícia skupiny 2, ktorá obsahuje všetky zariadenia ISM (priemyselné, vedecké a lekárske), v ktorých sa zámerne vytvára a/alebo používa rádiová frekvencia energia vo forme elektromagnetického žiarenia na úpravu materiálu, a zariadenia na iskrovú eróziu. Zariadenia triedy B sú zariadenia vhodné na použitie v domácnostiach a v zariadeniach priamo pripojených k sieti nízkeho napätia, ktorá zásobuje budovy používané na domáce účely.
  16. Tento spotrebič nie je určený na použitie osobami (vrátane detí) so zníženými fyzickými, zmyslovými či duševnými schopnosťami, alebo osobami bez žiadnej znalosti, pokiaľ nie sú pod dozorom alebo neboli vopred poučené o používaní spotrebiča osobou zodpovednou za ich bezpečnosť.
  17. Deti by mali byť pod dozorom, aby sa zaistilo, že sa nebudú hrať so zariadením.
  18. Mikrovlnná rúra sa používa len ako voľne stojaca.
  19. **UPOZORNENIE!** Neinštalujte rúru nad hornú časť varnej dosky alebo iný tepelný spotrebič. Ak by ste ju tam inštalovali, mohlo by dôjsť k poškodeniu a záruka by sa ukončila.
  20. Mikrovlnná rúra sa nesmie umiestniť do skrine.
  21. **UPOZORNENIE:** spotrebič a jeho prístupné časti sú počas prevádzky horúce.

22. **UPOZORNENIE!** Prístupné časti sa môžu počas používania zohriať. Malé deti by mali byť mimo dosahu.
23. Spotrebič sa pri používaní zahrieva na vysokú teplotu. Dávajte pozor, aby ste sa nedotkli vyhrievacích prvkov platničky a na pečenie vo vnútri rúry.
24. Teplota prístupných povrchov môže byť počas prevádzky spotrebiča vysoká.
25. Spotrebič sa umiestni k stene.
26. Spotrebič nesmú používať deti alebo osoby so zníženými fyzickými, zmyslovými alebo mentálnymi schopnosťami alebo nedostatkom skúseností a znalostí, pokiaľ nie sú pod dozorom alebo boli poučení.
27. **UPOZORNENIE!** Ak sú dvierka alebo tesnenia dvierok poškodené, rúra nesmie byť v prevádzke, kým ju neopraví kompetentná osoba.
28. 24. Spotrebiče nie sú určené na obsluhu pomocou externého časovača alebo samostatného systému diaľkového ovládania.
29. Mikrovlnná rúra je určená len na použitie v domácnosti a nie na komerčné účely.
30. Nikdy neodstraňujte dištančnú lištu vzadu alebo po stranách, pretože zabezpečuje minimálnu vzdialenosť od steny pre cirkuláciu vzduchu.
31. Pred presunom spotrebiča zaistíte otočný tanier, aby nedošlo k poškodeniu.
32. **UPOZORNENIE!** Je nebezpečné, ak spotrebič opravuje alebo servisuje osoba, ktorá nie je špecialistom, pretože za týchto okolností je potrebné odstrániť kryt, ktorý zabezpečuje ochranu pred mikrovlnným žiarením. Platí to aj pre výmenu napájacieho kábla alebo osvetlenia. V týchto prípadoch pošlite spotrebič do nášho servisného strediska.
33. Mikrovlnná rúra je určená len na rozmrazovanie potravín, ich varenie a varenie v pare.
34. Ak vyberáte akékoľvek zohriate jedlo, použite rukavice.
35. Pozor! Pri otváraní viečok alebo baliacej fólie uniká para.
36. Tento spotrebič môžu používať deti staršie než 8 rokov a osoby so zníženými telesnými, zmyslovými alebo duševnými schopnosťami alebo s nedostatkom skúseností a znalostí, len ak sú pod dozorom alebo dostali pokyny o používaní spotrebiča bezpečným spôsobom a ak chápu nebezpečenstvá s ním súvisiace. Deti sa nesmú hrať so spotrebičom. Čistenie a údržbu používateľa nesmú vykonávať deti, pokiaľ nie sú staršie ako 8 rokov a nie sú pod dohľadom.
37. Ak sa tvorí dym, vypnite alebo odpojte spotrebič a nechajte dvierka zatvorené, aby ste udusili prípadný plameň.

## NÁVOD NA INŠTALÁCIU

1. Uistite sa, či sú zvnútra rúry odstránené všetky obalové materiály.
2. **UPOZORNENIE!** Skontrolujte, či rúra nie je poškodená, ako sú nesprávne zarovnané alebo ohnuté dvierka, poškodené tesnenia dvierok a tesniaci povrch, poškodené alebo uvoľnené závesy dvierok a zámky a zuby vo vnútri rúry alebo na dvierkach. Ak dôjde k poškodeniu, rúru nepoužívajte a kontaktujte kvalifikovaný servisný personál.
3. Táto mikrovlnná rúra sa musí umiestniť na rovný, stabilný povrch, ktorý udrží jej hmotnosť a najťažšie jedlo, ktoré sa pravdepodobne bude pripravovať v rúre.
4. Neumiestňujte rúru tam, kde vzniká teplo, vlhko alebo vysoká vlhkosť, alebo v blízkosti horľavých materiálov.



- Pre správnu prevádzku musí mať rúra dostatočný prietok vzduchu. Nad rúrou nechajte 20 cm priestoru, vzadu 10 cm a po oboch stranách 5 cm. Nezakrývajte ani neblokujte žiadne otvory na spotrebiči. Neodstraňujte nožičky.
- Nepoužívajte rúru bez skleneného taniera, valčekového prstenca a hriadeľa v ich správnej polohe.
- Uistite sa, či napájací kábel nie je poškodený a či neprechádza pod rúrou ani cez horúci alebo ostrý povrch.
- Zásuvka musí byť dobre prístupná, aby bolo možné spotrebič, v prípade nebezpečenstva, ľahko odpojiť od siete.
- Nepoužívajte rúru vonku.

## POKYNY NA UZEMNENIE

Tento spotrebič musí byť uzemnený. Táto rúra je vybavená káblom, ktorý má uzemňovací vodič s uzemňovacou zástrčkou. Musí byť zapojený do takej zásuvky, ktorá je správne nainštalovaná a uzemnená. V prípade elektrického skratu uzemnenie znižuje riziko úrazu elektrickým prúdom tým, že poskytuje elektrickému prúdu únikový vodič. Odporúča sa, aby bol k dispozícii samostatný okruh slúžiaci len pre rúru. Použitie vysokého napätia je nebezpečné a môže mať za následok požiar alebo inú nehodu spôsobujúcu poškodenie rúry.

**UPOZORNENIE!** Nesprávne používanie uzemňovacej zástrčky môže spôsobiť riziko úrazu elektrickým prúdom.

Poznámka:

- Ak máte akékoľvek otázky týkajúce sa uzemnenia alebo elektrických pokynov, poraďte sa s kvalifikovaným elektrikárom alebo servisným technikom.
- Výrobca ani predajca nemôžu prevziať žiadnu zodpovednosť za poškodenie rúry alebo zranenie osôb v dôsledku nedodržania postupov elektrického pripojenia.

Drôty v tomto káblovom vedení sú sfarbené v súlade s nasledujúcim kódom:

**Zelená a žltá = UZEMNENIE**

**Modrá = NEUTRÁL**

**Hnedá = FÁZA**

## RÁDIOVÉ RUŠENIE

Prevádzka mikrovlnnej rúry môže spôsobiť rušenie rádiového, televízneho alebo podobného zariadenia. Ak dôjde k rušeniu, môže sa znížiť alebo eliminovať nasledovnými opatreniami:

- Vyčistite dvierka a tesniaci povrch rúry.
- Presmerujte prijímaciu anténu rádia alebo televízie.
- Mikrovlnnú rúru premiestnite s ohľadom na prijímač.
- Presuňte mikrovlnnú rúru od prijímača.
- Zapojte mikrovlnnú rúru do inej zásuvky tak, aby boli mikrovlnná rúra a prijímač pripojené k rôznym vetvám obvodu.

# PRED VYŽIADANÍM SLUŽBY

Pred vyžiadaním servisu skontrolujte každú položku nižšie:

- Skontrolujte, či je rúra bezpečne zapojená. Ak nie, vytiahnite zástrčku zo zásuvky, počkajte 10 sekúnd a znovu ju bezpečne zapojte.
- Skontrolujte, či nie je spálená poisťka obvodu alebo vypnutý hlavný istič. Ak sa zdá, že tieto zariadenia fungujú správne, otestujte zásuvku iným spotrebičom.
- Skontrolujte, či je ovládací panel správne naprogramovaný a časovač je nastavený.
- Skontrolujte, či sú dvierka bezpečne zatvorené s použitím systému zámku dvierok. Ak dvierka nie sú správne zatvorené, vo vnútri nebude prúdiť mikrovlnná energia.

AK ŽIADNE Z VYŠŠIE UVEDENÝCH OPATRENÍ NEVYRIEŠI PROBLÉM, KONTAKTUJTE KVALIFIKOVANÉHO TECHNIKA. NEPOKÚŠAJTE SA RÚRU NASTAVIŤ ANI OPRAVIŤ SAMI.

## TECHNIKY VARENIA

1. Opatrne pripravte potraviny. Najhrubšie miesta umiestnite smerom von z taniera.
2. Sledujte čas prípravy jedla. Varte čo najkratšie a podľa potreby ho predĺžte. Silne prehriate jedlo môže dymiť alebo sa môže vznietiť.
3. Počas varenia zakryte potraviny. Kryty zabraňujú rozstreknutiu a pomáhajú rovnomernému vareniu potravín.
4. Počas mikrovlnnej prípravy jedla jedenkrát otočte jedlo, aby ste urýchlili varenie takých potravín, ako sú kurča a hamburgery. Veľké kusy, ako sú pečenky, sa musia otočiť aspoň raz.
5. Jedlo ako mäsové guľky uprostred varenia premiešajte tak, aby sa guľky zdola dostali nahor a guľky zo stredu taniera na okraj.

## SPRIEVODCA KUCHYNSKÝM NÁČINÍM

1. Mikrovlny nemôžu preniknúť cez kov. Používajte len také nádoby, ktoré sú vhodné na použitie v mikrovlnných rúrach. Kovové nádoby na potraviny a nápoje nie sú počas mikrovlnnej prípravy jedla povolené. Táto požiadavka sa neuplatňuje, ak výrobca špecifikuje veľkosť a tvar kovových nádob vhodných na mikrovlnnú prípravu jedla.
2. Mikrovlny nemôžu preniknúť cez kov, preto by sa nemali používať kovové nádoby alebo riady s kovovým lemovaním.
3. Výrobky z recyklovaného papiera nepoužívajte pri mikrovlnnej príprave jedla, pretože môžu obsahovať malé kovové úlomky, ktoré môžu spôsobiť iskry a/alebo požiare.

4. Odporúčame zvoliť radšej okrúhle alebo oválne nádoby, pretože v obdĺžnikových a štvorcových sa môže jedlo v rohoch prehrievať.
5. Na zabránenie prehriatia exponovaných plôch sa môžu použiť úzke pásy hliníkovej fólie. Ale buďte opatrní, nepoužívajte jej príliš veľa a udržiavajte vzdialenosť 2,54 cm medzi fóliou a stenou vnútra.

Zoznam uvedený nižšie je všeobecným sprievodcom, ktorý vám pomôže vybrať správne nádoby.

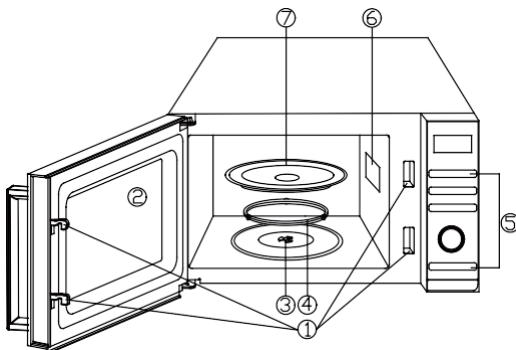
Hrnce	Mikrovlnná príprava jedla
Tepelne odolné sklo	Áno
Sklo, ktoré nie je odolné voči teplu	Nie
Keramika odolná voči teplu	Áno
Plastový riad bezpečný pre mikrovlnnú rúru	Áno
Kuchynský papier	Áno
Kovový tanier	Nie
Kovový stojan	Nie
Hliníkové fólie a fóliové obaly	Nie

## ŠPECIFIKÁCIE

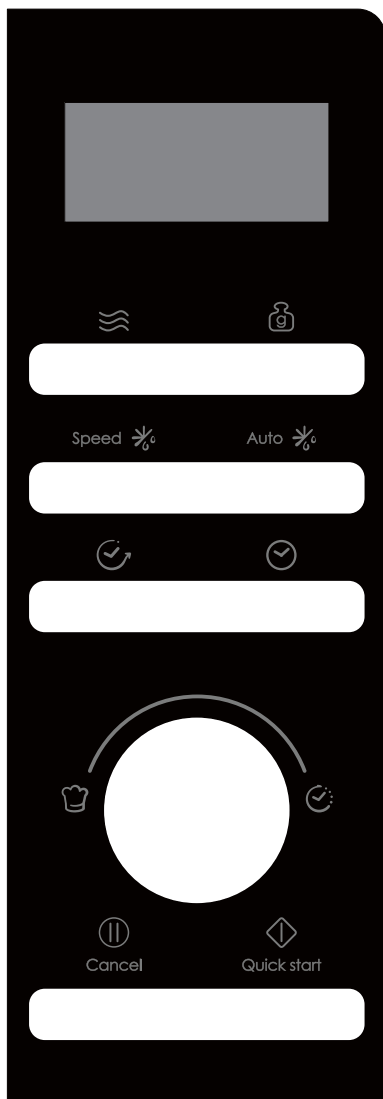
Príkon:	230-240V/50Hz, 1200W(microwave)
Výstup	700 W
Prevádzková frekvencia:	2450 MHz
Vonkajšie rozmery	262 mm (V) × 452 mm (Š) × 346 mm (H)
Rozmery vnútra rúry:	198 mm (V) × 315 mm (Š) × 297 mm (H)
Objem rúry:	Kompaktný 20litrový
Čistá hmotnosť:	Približne 10,8 kg

# DIAGRAM PRODUKTU

1. Systém bezpečnostného zámku dvierok
  2. Okienko rúry
  3. Hriadeľ
  4. Valčekový prstenec
  5. Ovládací panel
  6. Sprievodca vlnami
  7. Sklenený tanier
- (Neodstraňujte sľudovú dosku pokrývajúcu vlnovod)



# OVLÁDACÍ PANEĽ



## ● DISPLEJ

Zobrazuje sa čas varenia, výkon, indikátory a čas hodín.

## ● POWER

Stlačením nastavíte úroveň výkonu mikrovlnnej prípravy jedla.

## ● NASTAVENIE VÁHY

Stlačením tlačidla nastavíte hmotnosť potravín alebo porcií.

## ● RÝCHLOSTNÉ ODMRAZOVANIE

Speed 

Stlačením rozmrazíte potraviny podľa času.

## ● AUTOMATICKÉ ROZMRAZOVANIE

Auto 

Stlačením rozmrazíte potraviny podľa hmotnosti.

## ● PREDNASTAVENÉ

Použite na nastavenie spustenia rúry na neskorší čas.

## ● CLOCK

Stlačte pre nastavenie času hodín.

## ● MENU/ČAS (vytáčanie)

Otočením nastavte čas a vyberte menu automatického varenia.



## ● PAUZA/ZRUŠENIE Cancel

Jedným stlačením dočasne ukončíte prípravu jedla alebo dvoma stlačeniami úplne zrušíte prípravu jedla.




## ● ŠTART/RÝCHLY ŠTART Quick start

Stlačením spustíte programy varenia a rozmrazovania.

Jednoducho ho niekoľkokrát stlačte, aby ste nastavili čas prípravy jedla a okamžite ho uvarili pri plnom výkone.

# NÁVOD NA OBSLUHU

- Pri prvom zapojení rúry zaznie zvukový signál a na displeji sa zobrazí „“ a „1:01“.
- Počas nastavovania prerušeného na asi 30 sekúnd sa rúra vráti do pohotovostného režimu.
- Ak počas varenia raz stlačíte tlačidlo PAUSE/CANCEL, program sa pozastaví, potom stlačením tlačidla START/QUICK START pokračujte. Ak však dvakrát stlačíte tlačidlo PAUSE/CANCEL, program sa zruší.
- Po skončení varenia sa na displeji zobrazí Koniec a každé dve minúty zaznie zvukový signál, kým používateľ nestlačí akékoľvek tlačidlo alebo neotvorí dverka.

## NASTAVENIE HODÍN

Toto sú hodiny s 12- alebo 24- hodinovým formátom času. Čas hodín môžete nastaviť na 12 alebo 24 hodín stlačením tlačidla NAPÁJANIE/HODINY v pohotovostnom režime.

1. V pohotovostnom režime opakovaným stláčaním tlačidla CLOCK vyberte 12- alebo 24-hodinové hodiny.
2. Otáčajte voličom MENU/ČAS, kým sa nezobrazí správna hodina.
3. Stlačte raz tlačidlo CLOCK.
4. Otáčajte voličom MENU/TIME, kým sa nezobrazí správna minúta.
5. Stlačte tlačidlo CLOCK na potvrdenie.

**POZNÁMKA:** Počas varenia môžete skontrolovať aktuálny čas stlačením tlačidla CLOCK.

## MIKROVLNNÁ PRÍPRAVA JEDLA

1. V pohotovostnom režime opakovaným stláčaním tlačidla POWER vyberte úroveň výkonu.
2. Otočením voliča MENU/ČAS nastavte čas varenia. Najdlhší čas je 95 minút.
3. Potvrďte stlačením tlačidla ŠTART/RÝCHLY ŠTART.

**Stlačením tlačidla POWER vyberte úroveň výkonu:**

Stlačte tlačidlo POWER	Výkon (displej)	Stlačte tlačidlo POWER	Výkon (displej)
Raz	100 % (100)	7-krát	40 % (40)
Dvakrát	90 % (90)	8-krát	30 % (30)
3-krát	80 % (80)	9-krát	20 % (20)
4-krát	70 % (70)	10-krát	10 % (10)
5-krát	60 % (60)	11-krát	00 % (00)
6-krát	50 % (50)		

**POZNÁMKA:** Počas varenia môžete skontrolovať aktuálny stupeň výkonu varenia stlačením tlačidla POWER.

## EXPRESNÉ VARENIE

---

Túto funkciu použite na pohodlné naprogramovanie rúry na mikrovlnné ohrievanie jedla pri 100 % výkone. V pohotovostnom režime a so zatvorenými dvierkami rúry opakovane stláčajte tlačidlo START/QUICK START, aby ste nastavili čas pečenia (každé stlačenie zvýši čas pečenia o 30 sekúnd a až o 10 minút), rúra sa okamžite spustí na plný výkon.

## AUTOMATICKÉ ROZMRAZOVANIE

---

Čas rozmrazovania a úroveň výkonu sa nastaví automaticky po naprogramovaní hmotnosti potravín. Hmotnosť mrazených potravín sa pohybuje od 100 g do 1800 g.

1. V pohotovostnom režime stlačte raz tlačidlo AUTO DEFROST.
2. Opakovaným stláčaním tlačidla WEIGHT ADJUST vyberte hmotnosť potraviny.
3. Potvrďte stlačením tlačidla ŠTART/RÝCHLY ŠTART.

**POZNÁMKA:** Počas rozmrazovania sa systém pozastaví a zvukovým signálom pripomenie používateľovi, aby potraviny obrátil, a potom stlačením tlačidla START/QUICK START pokračuje v rozmrazovaní.

## RÝCHLE ROZMRAZOVANIE

---

1. V pohotovostnom režime raz stlačte tlačidlo RÝCHLE ROZMRAZOVANIE.
2. Otočením voliča MENU/ČAS nastavte čas rozmrazovania. Najdlhší čas je 95 minút.
3. Potvrďte stlačením tlačidla ŠTART/RÝCHLY ŠTART.

**POZNÁMKA:** Počas rozmrazovania sa systém pozastaví a zvukovým signálom pripomenie používateľovi, aby potraviny obrátil, a potom stlačením tlačidla START/QUICK START pokračuje v rozmrazovaní.

## VIACSTUPŇOVÉ VARENIE

---

Vašu rúru môžete naprogramovať až na 2 automatické sekvencie pečenia. Predpokladajme, že chcete nastaviť nasledujúci program varenia:

Mikrovlnná príprava jedla



Mikrovlnná príprava jedla (s nižšou úrovňou výkonu)

1. Zadajte prvý program mikrovlnnej prípravy jedla. Nestláčajte tlačidlo START/QUICK START.
2. Zadajte druhý program mikrovlnnej prípravy jedla.
3. Potvrďte stlačením tlačidla ŠTART/RÝCHLY ŠTART.

**POZNÁMKA:** Ponuky expresného varenia, automatického rozmrazovania, rýchleho rozmrazovania a automatického varenia nie je možné nastaviť vo viacstupňovom varení.

## AUTOMATICKÉ ČISTENIE

---

Do rúry vložte misku s 300 g vody a zatvorte dverka.

1. V pohotovostnom režime otočte raz volič MENU/TIME proti smeru hodinových ručičiek a potom otáčajte voličom, kým sa na displeji nezobrazí „CLE“ a „AUTO“.
2. Stlačte raz tlačidlo WEIGHT ADJUST.
3. Stlačte tlačidlo START/QUICK START na spustenie.

**POZNÁMKA:** Čas čistenia je 10 minút.

## PREDVOLENÁ

---

Táto funkcia umožňuje spustenie rúry v neskoršom čase.

1. V pohotovostnom režime zadajte program varenia (okrem expresného varenia, automatického rozmrazovania a rýchleho rozmrazovania).
2. Stlačte tlačidlo PRESET jedenkrát.
3. Otáčaním voliča MENU/ČAS nastavte číslicu hodiny.
4. Stlačte tlačidlo PRESET jedenkrát.
5. Otáčaním voliča MENU/ČAS nastavte číslicu minúty.
6. Raz stlačte tlačidlo ŠTART/RÝCHLY ŠTART.

**POZNÁMKA:** Čas odpočítavania môžete skontrolovať stlačením tlačidla PRESET, ak stlačíte tlačidlo PAUSE/CANCEL, keď sa na displeji zobrazuje čas, funkciu môžete zrušiť.

## DETSKÁ POISTKA

---

Detská poistka zabraňuje deťom v práci bez dozoru.

Zadanie detského zámku: V pohotovostnom režime, ak sa do jednej minúty nevykoná žiadna činnosť, rúra automaticky prejde do režimu detskej poistky a rozsvieti sa kontrolka poistky. V stave detskej poistky sú všetky tlačidlá deaktivované.

Zrušenie: V režime detskej poistky otvorte alebo zatvorte dverka rúry jedenkrát, aby ste zrušili program a kontrolka poistky zhasne.

## AUTOMATICKÉ VARENIE

---

Pre nasledujúce jedlo alebo režim varenia nie je potrebné programovať čas a výkon varenia. Stačí uviesť druh jedla, ktoré chcete variť, ako aj hmotnosť alebo porcie jedla.

1. V pohotovostnom režime otočte raz voličom MENU/TIME proti smeru hodinových ručičiek, na displeji sa zobrazí „A-01“, potom pokračujte v otáčaní voliča, aby ste zvolili iný kód potraviny.
2. Opakovaným stláčaním tlačidla WEIGHT ADJUST nastavte hmotnosť potravín alebo porcií.
3. Potvrďte stlačením tlačidla ŠTART/RÝCHLY ŠTART.



## Ponuky automatického varenia:

Kód	Jedlo	Hmotnosť/ množstvo	Poznámka
A-01	Mlieko/káva/čaj (200 ml/šálka, 1-3 šálky)	1 šálka	Na displeji sa namiesto hmotnosti potravín zobrazí počet porcií
		2 šálky	
		3 šálky	
A-02	Pizza	150 kg	
		300 kg	
		450 kg	
A-03	Zemiak	100 kg	
		200 kg	
		300 kg	
A-04	Automatický opätovný ohrev	200 kg	
		300 kg	
		400 kg	
		500 kg	
		600 kg	
		700 kg	
A-05	Ryba	800 kg	
		200 kg	
		300 kg	
		400 kg	
		500 kg	
A-06	Pukance	600 kg	
A-07	polievka	100 kg	
		200 kg	
		400 kg	
A-08	Ovsená kaša	600 kg	
		50 kg	
		100 kg	
A-09	Čerstvá zelenina	150 kg	
		200 kg	
		300 kg	
		400 kg	
A-10	MRAZENÁ ZELENINA	500 kg	
		600 kg	

Kód	Jedlo	Hmotnosť/ množstvo	Poznámka
		400 kg	
		500 kg	
		600 kg	
A-11	Ryža	150 kg	
		300 kg	
		450 kg	
		600 kg	
A-12	Špagety/cestoviny	100 kg	
		200 kg	
		300 kg	
A-13	Mrazená večera/jedlo	250 kg	
		500 kg	
A-14	Autoclean/ (výkon by bol plný kvapky vody vo vnútri dutiny)		

Výsledok automatického varenia závisí od takých faktorov, ako je tvar a veľkosť jedla, vaša osobná preferencia, pokiaľ ide o prepečenie určitých jedál, a dokonca aj od toho, ako umiestnite jedlo v rúre. Ak zistíte, že výsledok nie je v žiadnom prípade úplne uspokojivý, jemne podľa toho upravte čas prípravy jedla.

## ČISTENIE A ÚDRŽBA

- Vypnite rúru a pri čistení odpojte napájací kábel zo zásuvky.
- Udržujte vnútro rúry čisté. Keď sa rozstrekuté alebo rozliate tekutiny prilepia na steny rúry, utrite ich vlhkou handričkou. Ak sa rúra veľmi zašpiní, môžu sa použiť jemné čistiace prostriedky. Nepoužívajte spreje ani iné silné čistiace prostriedky. Môžu zanechať na povrchu dvierok škvrny, šmuhy alebo ho môžu zmatnieť.
- Vonkajší povrch rúry by sa mal čistiť vlhkou handričkou. Aby sa zabránilo poškodeniu obslužných častí vo vnútri rúry, voda nesmie presiaknuť do vetracích otvorov.
- Dvierka a okienko na oboch stranách, tesnenia dvierok a priľahlé časti často utierajte vlhkou handričkou, aby ste odstránili všetky rozliate alebo rozstrekuté tekutiny. Nepoužívajte abrazívny čistiaci prostriedok.
- Parný čistič sa nepoužíva.
- Nedovoľte, aby sa ovládací panel namočil. Vyčistite ho mäkkou, vlhkou handričkou. Pri čistení ovládacieho panela nechajte dvierka rúry otvorené, aby sa zabránilo náhodnému zapnutiu rúry.
- Ak sa para nahromadí vo vnútri alebo okolo dvierok rúry, utrite ju mäkkou handričkou. Toto môže nastať, ak je mikrovlnná rúra v prevádzke pri vysokej vlhkosti. Je to bežný jav.

8. Občas je potrebné vybrať sklenený tanier a očistiť ho. Umyte tanier v teplej mydlovej vode alebo v umývačke riadu.
9. Valčekový prstenec a dno rúry by sa mali pravidelne čistiť, aby sa zabránilo nadmernému huku. Jednoducho utrite dno rúry jemným čistiacim prostriedkom. Valčekový prstenec sa môže umývať v jemnej mydlovej vode alebo v umývačke riadu. Pri demontáži valčekového prstenca ho nezabudnite dať naspäť v správnej polohe.
10. Zápach z rúry odstránite kombináciou šálky vody so šťavou a kožou jedného citrónu v miske do mikrovlnnej rúry. Zapnite mikrovlnnú rúru na 5 minút. Dôkladne ju utrite a vysušte mäkkou handričkou.
11. Ak sa vypáli žiarovka, požiadajte zákaznícky servis o jej výmenu.
12. Rúra by sa mala pravidelne čistiť a všetky usadeniny potravín by sa mali odstrániť. Neudržiavanie rúry v čistom stave môže viesť k poškodeniu povrchu, ktoré by mohlo nepriaznivo ovplyvniť životnosť zariadenia a spôsobiť nebezpečenstvo.
13. Tento spotrebič nevyhadzujte do domáceho odpadu. Mal by byť zlikvidovaný v špeciálnom zbernom dvore, ktorý zriadila obec.



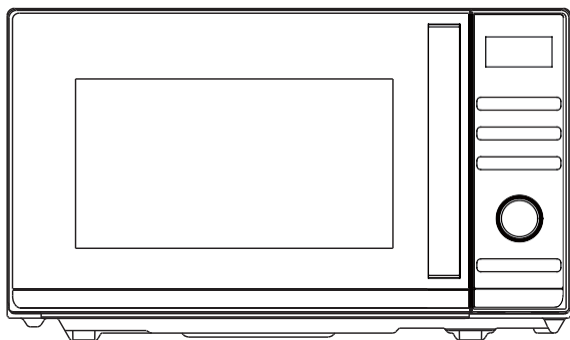
Tento spotrebič je označený v súlade s európskou smernicou 2012/19/EÚ o predpisoch o odpade z elektrických a elektronických zariadení z roku 2013 týkajúcich sa elektrických a elektronických spotrebičov (OEEZ). OEEZ sa zaoberá znečisťujúcimi látkami (ktoré môžu mať negatívny vplyv na životné prostredie) a základnými prvkami (ktoré sa môžu znovu použiť). Je dôležité, aby OEEZ podstúpili osobitné úpravy na správne odstránenie a likvidáciu

znečisťujúcich látok a obnovu všetkých materiálov. Jednotlivci môžu zohrávať dôležitú rolu pri zabezpečovaní toho, aby sa z OEEZ nestal problém životného prostredia; potrebné je dodržiavať niekoľko základných pravidiel:

- s OEEZ sa nesmie nakladať ako s domovým odpadom;
- OEEZ sa musia odvážať do vyhradených zberných oblastí spravovaných mestskou radou alebo registrovanou spoločnosťou.

V mnohých krajinách môžu byť k dispozícii pre veľké OEEZ strediská zberu domového odpadu. Keď si kúpite nový spotrebič, starý spotrebič sa môže vrátiť dodávateľovi, ktorý ho musí prijať bezplatne ako jednorazovú záležitosť, pokiaľ je spotrebič ekvivalentného typu a má rovnaké funkcie ako zakúpený spotrebič.

# Uputstvo za rad mikrotalasne rerne



Model: CMWA20TNDB

Pažljivo pročitajte ova uputstva pre instalacije i rukovanja reonom.

<b>Haier Europe</b> <small>CANDY Haier</small>	<b>PT</b> ☎ 707 200 188 210 010 773	<b>IT</b> ☎ 02 400 48 200	<b>ES</b> ☎ 902 100 150 943 914 150	<b>DE</b> ☎ 0800 500 48 48
<b>BE</b> ☎ 02 752 94 10	<b>NL</b> ☎ 33 422 4000	<b>AT</b> ☎ 0820 220 224	<b>GR</b> ☎ 801 11 50 50 50	<b>CH</b> ☎ 0848 780 780

70017948

# SADRŽAJ

<b>VAŽNA BEZBEDNOSNA UPUTSTVA</b> .....	<b>2</b>
<b>UPUTSTVO ZA INSTALACIJU</b> .....	<b>4</b>
<b>UPUTSTVO ZA UZEMLJENJE</b> .....	<b>5</b>
<b>RADIO INTERFERENCE</b> .....	<b>5</b>
<b>PRE POZIVANJA SERVISA</b> .....	<b>6</b>
<b>TEHNIKE KUVANJA</b> .....	<b>6</b>
<b>UPUTSTVO ZA PRIBOR ZA KUVANJE</b> .....	<b>6</b>
<b>SPECIFIKACIJE</b> .....	<b>7</b>
<b>DIJAGRAM PROIZVODA</b> .....	<b>8</b>
<b>KONTROLNA TABLA</b> .....	<b>9</b>
<b>УПУТСТВА ЗА РАД</b> .....	<b>10</b>
<b>PODEŠAVANJE SATA</b> .....	<b>10</b>
<b>KUVANJE U MIKROTALASNOJ PEĆNICI</b> .....	<b>10</b>
<b>EKSPRESNO KUVANJE</b> .....	<b>11</b>
<b>AUTOMATSKO ODMRZAVANJE</b> .....	<b>11</b>
<b>ODMRZAVANJE BRZINE</b> .....	<b>11</b>
<b>VIŠESTEPENO KUVANJE</b> .....	<b>12</b>
<b>AUTOMATSKO ČIŠĆENJE</b> .....	<b>12</b>
<b>UNAPRED ODREĐENO</b> .....	<b>12</b>
<b>OPCIJA ZAKLJUČAVANJA ZA ZAŠTITU DECE</b> .....	<b>13</b>
<b>AUTOMATSKO KUVANJE</b> .....	<b>13</b>
<b>ČIŠĆENJE I ODRŽAVANJE</b> .....	<b>15</b>

# MERE PREDOSTROŽNOSTI KAKO BI SE IZBEGLO MOGUĆE IZLAGANJE PREKOMERNOJ MIKROTALASNOJ ENERGI

1. Ne pokušavajte da koristite ovu rernu dok su vrata otvorena jer rad otvorenih vrata može dovesti do štetnog izlaganja mikrotalasnoj energiji. Važno je ne vršiti izmene na sigurnosnim blokadama.
2. Ne stavljajte nikakve predmete između prednje strane rerne i vrata niti dozvolite da se talog ili ostaci sredstva za čišćenje akumuliraju na zaptivnim površinama.
3. Ne koristite rernu ako je oštećena. Posebno je važno da se vrata rerne pravilno zatvore i da nema oštećenja na
  - a) Vrata (uključujući i savijena),
  - b) Šarkama i zasunima (slomljeni ili olabavljeni),
  - c) Zaptivačima vrata i zaptivnim površinama.
4. Pećnicu ne sme podešavati ili popravljati niko osim kvalifikovanog servisnog osoblja.

## VAŽNA BEZBEDNOSNA UPUTSTVA

Prilikom korišćenja električnog uređaja treba poštovati osnovne mere predostrožnosti, uključujući sledeće:

**UPOZORENJE!**--Da biste smanjili rizik od opekotina, strujnog udara, požara, povreda osoba ili izlaganja prekomernoj mikrotalasnoj energiji:

1. Koristite ovaj uređaj samo za predviđenu upotrebu kako je opisano u uputstvu. Nemojte koristiti korozivne hemikalije ili pare u ovom uređaju. Ova vrsta rerne je posebno dizajnirana za zagrevanje, kuvanje ili sušenje hrane. Nije dizajniran za industrijsku ili laboratorijsku upotrebu.
2. Nemojte koristiti rernu kada je prazna.
3. Nemojte koristiti ovaj uređaj ako ima oštećen kabl ili utikač, ako ne radi ispravno ili ako je oštećen ili ispušten. Ukoliko je kabl za napajanje oštećen, mora ga zameniti proizvođač ili njegov serviser ili slično kvalifikovano lice kako bi se izbegla opasnost
4. **UPOZORENJE!**--Dozvoljavajte deci da koriste rernu bez nadzora samo kada su data adekvatna uputstva tako da dete može da koristi rernu na bezbedan način i razume opasnosti od nepravilne upotrebe.
5. Da biste smanjili rizik od požara u unutrašnjosti rerne:
  - Prilikom zagrevanja hrane u plastičnoj ili papirnoj posudi, pazite na rernu zbog mogućnosti paljenja.

- Uklonite žičane zavoje sa papirnih ili plastičnih kesa pre nego što stavite kesu u rernu.
  - Ukoliko primetite dim, isključite ili isključite uređaj i držite vrata zatvorena kako biste prigušili plamen.
  - Nemojte unutrašnjost koristiti za odlaganje. Ne ostavljajte papirne proizvode, pribor za kuvanje ili hranu u šupljini kada nisu u upotrebi.
  - Mikrotalasna rerna je namenjena za zagrevanje hrane i pića. Sušenje hrane ili odeće i zagrevanje jastučića za zagrevanje, papuča, sunčera, vlažne krpe i slično može dovesti do rizika od povreda, paljenja ili požara.
6. **UPOZORENJE!**--Tekuća ili druga hrana ne smeju se zagrevati u zatvorenim kontejnerima jer mogu da eksplodiraju.
  7. Zagrevanje pića u mikrotalasnoj može dovesti do odloženog eruptivnog klučanja, stoga je potreban oprez prilikom rukovanja posudom.
  8. Ne pržite hranu u rerni. Vruće ulje može da ošteti delove rerne i pribor, pa čak i da izazove opekotine na koži.
  9. Jaja u ljusci i cela tvrdo kuvana jaja ne smeju se zagrevati u mikrotalasnim pećnicama jer mogu eksplodirati čak i nakon završetka mikrotalasnog zagrevanja.
  10. Probušite hranu sa debelom korom kao što su krompir, cele tikve, jabuke i kesteni pre kuvanja.
  11. Sadržaj bočica za hranjenje i tegli za bebe treba proučavati ili protresti i proveriti temperaturu pre serviranja kako bi se izbegle opekotine.
  12. Pribor za kuvanje može da se zagreje zbog toplote koja se prenosi iz zagrejane hrane. Držači posuda će možda biti potrebni za rukovanje priborom.
  13. Pribor treba proveriti kako bi se osiguralo da je pogodan za upotrebu u mikrotalasnoj pećnici.
  14. **UPOZORENJE!**--Opasno je za bilo koga osim obučene osobe da obavlja bilo kakvu uslugu ili popravku koja uključuje uklanjanje bilo kog poklopca koji pruža zaštitu od izlaganja mikrotalasnoj energiji.
  15. Ovaj proizvod je ISM oprema klase B grupe 2. Definicija Grupe 2 koja sadrži svu ISM (industrijsku, naučnu i medicinsku) opremu u kojoj se radiofrekventna energija namerno generiše i/ili koristi u obliku elektromagnetnog zračenja za obradu materijala, i opremu za eroziju varnica. Za opremu klase B je oprema pogodna za upotrebu u domaćinstvima i ustanovama direktno priključenim na niskonaponsku mrežu napajanja koja snabdeva zgrade koje se koriste u domaće svrhe.
  16. Ovaj uređaj nije namenjen za upotrebu od strane osoba (uključujući decu) sa smanjenim fizičkim, senzornim ili mentalnim sposobnostima, ili nedostatkom iskustva i znanja, osim uz nadzor i uputstva lica odgovornog za njihovu bezbednost.
  17. Na decu treba paziti kako bi se obezbedilo da se ona ne igraju s uređajem.
  18. Mikrotalasna rerna se koristi samo u samostojećim prostorima.
  19. **UPOZORENJE!**--Ne postavljajte rernu preko ploče za kuvanje ili drugog uređaja za proizvodnju toplote. ako je instaliran može biti oštećen i garancija će biti izbegnuta.
  20. Mikrotalasna rerna se ne sme stavljati u orman.
  21. **UPOZORENJE!**: Uređaj i njegovi delovi kojima se može pristupiti zagrevaju se prilikom upotrebe.
  22. **UPOZORENJE!**--Pristupačni delovi mogu postati vrući tokom upotrebe. Decu treba držati podalje.

23. Uređaj se zagreva prilikom upotrebe. Treba voditi računa da se ne dodiruju grejni elementi unutar rerne, za kuvanje i rerne u opsegu.
24. Temperatura dostupnih površina može biti visoka kada uređaj radi.
25. Uređaj treba postaviti uz zid.
26. Uređaj ne smeju koristiti deca ili osobe sa smanjenim fizičkim, senzornim ili mentalnim sposobnostima, ili sa nedostatkom iskustva i znanja, osim ako im nije dat nadzor ili uputstvo.
27. **UPOZORENJE!**--Ako su brtve vrata ili vrata oštećene, rerna se ne sme koristiti dok je ne popravi kompetentna osoba.
28. Uređaji nisu namenjeni za rad pomoću spoljašnjeg tajmera ili odvojenog sistema za daljinsko upravljanje.
29. Mikrotalasna rerma je samo za kućnu upotrebu, a ne za komercijalnu upotrebu.
30. Nikada ne uklanjajte držač rastojanja sa zadnje ili bočne strane, jer obezbeđuje minimalno rastojanje od zida za cirkulaciju vazduha.
31. Učvrstite gramofon pre pomeranja uređaja kako biste izbegli oštećenja.
32. **OPREZ!** -- Opasno je popravljati ili održavati uređaj od strane bilo kog drugog specijaliste jer u ovim okolnostima poklopac mora biti uklonjen što obezbeđuje zaštitu od mikrotalasnog zračenja. Ovo se odnosi i na promenu kabla za napajanje ili osvetljenja. Pošaljite uređaj u ovim slučajevima u naš servisni centar.
33. Mikrotalasna rerma je namenjena samo za odmrzavanje, kuvanje i paru hrane.
34. Koristite rukavice ako uklanjate bilo koju podgrejanu hranu.
35. Oprez! Para će pobeći prilikom otvaranja poklopca ili folije za omatanje.
36. Ovaj uređaj mogu koristiti i deca uzrasta od 8 ili više godina i osobe sa smanjenim fizičkim, senzornim ili mentalnim sposobnostima ili nedostatkom iskustva i znanja, ako to čine pod nadzorom ili ukoliko uređaj koriste prema uputstvima za bezbednu upotrebu i ako razumeju opasnosti koje ta upotreba uključuje. Deca ne smeju da se igraju sa uređajem. Čišćenje i održavanje korisnika ne smeju da obavljaju deca, osim ako nisu stari od 8 godina i više i pod nadzorom.
37. Ukoliko primetite dim, isključite ili isključite uređaj i držite vrata zatvorena kako biste prigušili plamen.

## UPUTSTVO ZA INSTALACIJU

1. Uverite se da su svi ambalažni materijali uklonjeni sa unutrašnje strane vrata.
2. **UPOZORENJE!**--Proverite da li je rerma oštećena, kao što su nepravilna ili savijena vrata, oštećeni zaptivači vrata i zaptivne površine, slomljene ili labave šarke vrata i zasuni i udubljenja unutar šupljine ili na vratima. Ukoliko dođe do bilo kakvog oštećenja, nemojte rukovati rerom i kontaktirajte kvalifikovano servisno osoblje.
3. Ova mikrotalasna pećnica mora biti postavljena na ravnu, stabilnu površinu kako bi izdržala svoju težinu i najtežu hranu koja će se kuvati u rerni.
4. Ne postavljajte reru na mesto gde se stvara toplota, vlaga ili visoka vlažnost, ili blizu zapaljivih materijala.
5. Za pravilan rad rerma mora imati dovoljan protok vazduha. Ostavite 20 cm prostora iznad rerne, 10 cm pozadi i 5 cm sa obe strane. Ne pokrivajte i ne blokirajte otvore na uređaju. Ne uklanjajte noge.
6. Nemojte koristiti reru bez staklene tacne, nosača valjka i osovine u odgovarajućim položajima.



7. Uverite se da je kabl za napajanje neoštećen i da ne radi ispod rerne ili preko vruće ili oštre površine.
8. Utičnica mora biti lako dostupna tako da se može lako isključiti u hitnim slučajevima.
9. Ne koristite rernu na otvorenom.

## UPUTSTVO ZA UZEMLJENJE

Ovaj uređaj mora biti uzemljen. Ova rerne je opremljena kablom koji ima žicu za uzemljenje sa utikačem za uzemljenje. Mora biti priključen u zidnu posudu koja je pravilno postavljena i uzemljena. U slučaju kratkog spoja, uzemljenje smanjuje rizik od strujnog udara obezbeđivanjem žice za odvod električne struje. Preporučuje se da se obezbedi odvojeno kolo koje služi samo rerne. Korišćenje visokog napona je opasno i može dovesti do požara ili druge nezgode koja može izazvati oštećenje rerne.

**UPOZORENJE!** Nepravilna upotreba utikača za uzemljenje može dovesti do opasnosti od strujnog udara.

Napomena:

1. Ako imate bilo kakvih pitanja o uzemljenju ili električnim uputstvima, obratite se kvalifikovanom električaru ili serviseru.
2. Ni proizvođač ni prodavac ne mogu da prihvate bilo kakvu odgovornost za oštećenje rerne ili lične povrede nastale usled nepoštovanja procedura električnog povezivanja.

Žice u ovom glavnom kablom su obojene u skladu sa sledećim kodom:

**Zeleno i žuto = UZEMLJENJE**

**Plavo = NULA**

**Braon = FAZA**

## RADIO INTERFERENCE

Rad mikrotalasne pećnice može izazvati smetnje na vašem radiju, TV-u ili sličnoj opremi. Kada postoje smetnje, one se mogu smanjiti ili eliminisati preduzimanjem sledećih mera:

1. Očistite vrata i zaptivnu površinu rerne.
2. Preusmerite prijemnu antenu radija ili televizije.
3. Premestite mikrotalasnu pećnicu u odnosu na prijemnik.
4. Pomerite mikrotalasnu pećnicu dalje od prijemnika.
5. Uključite mikrotalasnu pećnicu u drugu utičnicu tako da su mikrotalasna pećnica i prijemnik na različitim strujnim kolima.

# PRE POZIVANJA SERVISA

Pre nego što zatražite uslugu, proverite svaku stavku u nastavku:

- Proverite da li je rena bezbedno priključena. Ako nije, izvadite utikač iz utičnice, sačekajte 10 sekundi i ponovo ga čvrsto uključite.
- Proverite da li je pregoreo osigurač ili je iskočio glavni osigurač. Ako se čini da rade ispravno, testirajte utičnicu drugim uređajem.
- Proverite da li je kontrolna tabla ispravno programirana i da li je tajmer podešen.
- Proverite da li su vrata bezbedno zatvorena, aktivirajući sistem za zaključavanje vrata. Ako vrata nisu pravilno zatvorena, mikrotalasna energija neće teći unutra.

UKOLIKO NIŠTA OD NAVEDENOG NE ISPRAVI SITUACIJU, OBRATITE SE KVALIFIKOVANOM TEHNIČARU. NE POKUŠAVAJTE SAMI DA PODEŠAVATE ILI POPRAVLJATE RERNU.

## TEHNIKE KUVANJA

1. Pažljivo rasporedite hranu. Postavite najdeblje delove prema spoljašnjoj strani posude.
2. Pazite na vreme kuvanja. Kuvajte što je kraće moguće vreme i po potrebi dodajte još. Prekuvana hrana može da puši ili da se zapali.
3. Pokrijte hranu tokom kuvanja. Poklopci sprečavaju prskanje i pomažu hrani da se ravnomerno kuva.
4. Okrenite namirnice jednom tokom mikrotalasnog kuvanja da biste ubrzali pripremu hrane kao što su piletina i hamburgeri. Veliki komadi kao što je pečenje moraju biti okrenuti bar jednom.
5. Prerasporedite namirnice kao što su ćufte na pola pečenja od vrha do dna i od centra posude prema spolja.

## UPUTSTVO ZA PRIBOR ZA KUVANJE

1. Mikrotalasna ne može da prodre u metal. Koristite samo pribor koji je pogodan za upotrebu u mikrotalasnim renama. Metalne posude za hranu i pića nisu dozvoljene tokom mikrotalasnog kuvanja. Ovaj zahtev se ne primenjuje ako proizvođač navede veličinu i oblik metalnih posuda pogodnih za mikrotalasnno kuvanje.
2. Mikrotalasi ne mogu da prodru u metal, tako da metalni pribor ili posude sa metalnom oblogom ne smeju da se koriste.
3. Nemojte koristiti reciklirane proizvode od papira prilikom mikrotalasnog kuvanja, jer mogu sadržati male metalne fragmente koji mogu izazvati varnice i/ili požare.
4. Preporučuju se okrugle /ovalne posude umesto četvrtastih/duguljastih, jer hrana u uglovima teži da se prepeče.

5. Uske trake aluminijumske folije mogu se koristiti da bi se sprečilo prekomerno pečenje izloženih površina. Ali pazite da ne koristite previše i držite razmak od 2,54 cm između folije i šupljine.

Lista u nastavku je opšti vodič koji će vam pomoći da izaberete odgovarajući pribor.

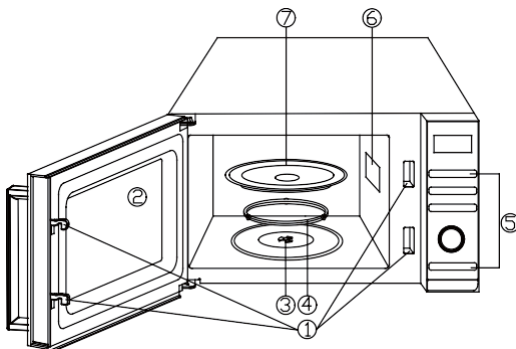
POSUĐE ZA KUVANJE	KUVANJE U MIKROTALASNOJ PEĆNICI
Staklo otporno na toplotu	Da
Staklo koje nije otporno na toplotu	Ne
Keramika otporna na toplotu	Da
Plastično posuđe bezbedno za mikrotalasnu	Da
Kuhinjski papir	Da
Metalna tacna	Ne
Metalna polica	Ne
Kontejneri od aluminijumske folije i folije	Ne

## SPECIFIKACIJE

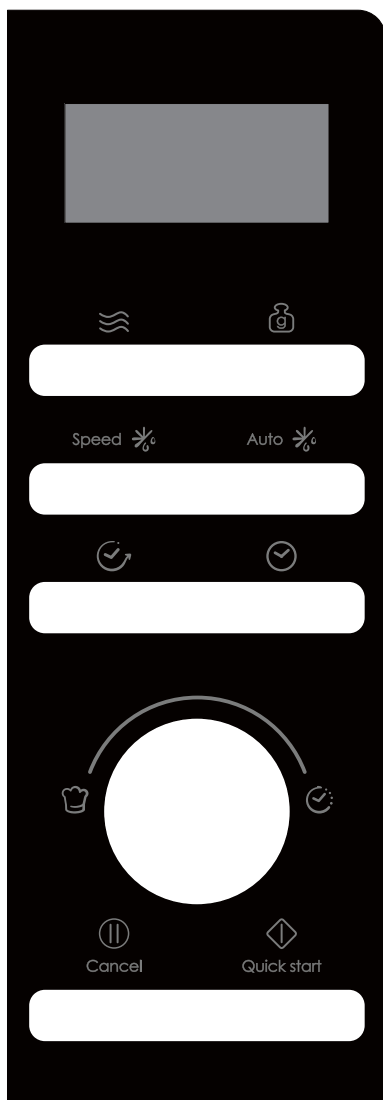
Potrošnja struje:	230-240V/50Hz, 1200W(mikrotalasna)
Излаз	700 W
Frekvencija rada:	2450MHz
Spoljne dimenzije:	262mm(V)×452mm(Š)×346mm(D)
Dimenzije šupljina pećnice:	198mm(V)×315mm(Š)×297mm(D)
Kapacitet pećnice:	Kompaktnih 20 litara
Neto težina	Pribl. 10,8 kg

# DIJAGRAM PROIZVODA

1. Sistem za zaključavanje vrata
  2. Prozor pećnice
  3. Šaft
  4. Prsten valjka
  5. Kontrolna tabla
  6. Talasni vodič
  7. Staklena tacna
- (Molimo vas da ne uklanjate ploču sljuske koja pokriva talasnu vodilicu)



# KONTROLNA TABLA



## ● EKRAN

Prikazuju se vreme kuvanja, snaga, indikatori i sat.

## ● SNAGA

Pritisnite da biste podesili nivo snage mikrotalasnog kuvanja.

## ● PODEŠAVANJE TEŽINE

Pritisnite da biste podesili težinu hrane ili porcije.

## ● ODMRZAVANJE BRZINE Speed

Pritisnite za odmrzavanje hrane na osnovu vremena.

## ● AUTOMATSKO ODMRZAVANJE

Auto 

Pritisnite za odmrzavanje hrane na osnovu težine.

## ● UNAPRED PODEŠENO

Koristite da podesite renu da se pokrene kasnije.

## ● SAT

Pritisnite da biste podesili vreme sata.

## ● MENI/VREME (biranje)

Okrenite za podešavanje vremena i izaberite meni za automatsko kuvanje.

## ● PAUZIRAJ/OTKAŽI


Pritisnite jednom za privremeni prekid kuvanja ili dva puta za potpuno otkazivanje kuvanja.

## ● START/BRZI START Quick start

Pritisnite za početak programa kuvanja i odmrzavanja.

Jednostavno pritisnite nekoliko puta da biste podesili vreme kuvanja i odmah kuvajte na punom snagom.

# УПУТСТВА ЗА РАД.

- Kada se rena prvi put uključi, oglasioće se zvučni signal i na displeju će se prikazati “” i “1:01”.
- U procesu podešavanja, puklo je oko 30 sekundi i rena će se vratiti u stanje pripravnosti.
- Tokom kuvanja, ako jednom pritisnete dugme PAUZA/OTKAZIVANJE, program će biti pauziran, a zatim pritisnete dugme START/QUICK START za nastavak. Ali ako dvaput pritisnete dugme PAUZA/OTKAŽI, program će biti otkazan.
- Nakon završetka kuvanja, na displeju će se prikazati kraj i zvučni signal će se oglasiti svaka dva minuta dok korisnik ne pritisne bilo koje dugme ili otvori vrata.

## PODEŠAVANJE SATA

---

Ovo je sat od 12 ili 24 sata. Možete izabrati da podesite vreme sata za 12 ili 24 sata pritiskom na dugme SATA u režimu pripravnosti.

1. U režimu pripravnosti, pritisnite dugme SATA više puta za izbor 12- ili 24-časovnog sata.
2. Okrenite TASTER MENI/VREME dok se ne prikaže tačan sat.
3. Pritisnite dugme za SAT jednom.
4. Okrenite TASTER MENIJA/VREMENA dok se ne prikaže tačan minut.
5. Pritisnite taster sa SATOM za potvrdu.

**NAPOMENA:** Tokom kuvanja, možete da proverite trenutno vreme sata pritiskom na dugme SATA.

## KUVANJE U MIKROTALASNOJ PEĆNICI

---

1. U režimu pripravnosti, pritisnite dugme za uključivanje više puta da biste izabrali nivo napajanja.
2. Okrenite TASTER MENI/VREME da biste podesili vreme kuvanja. Najduže vreme je 95 minuta.
3. Pritisnite dugme START/QUICK START za potvrdu.

## Izaberite nivo snage pritiskom na dugme za NAPAJANJE:

Pritisnite dugme za UKLJUČIVANJE	Snaga (displej)	Pritisnite dugme za UKLJUČIVANJE	Snaga (displej)
Jednom	100% (100)	Sedam puta.	40% (40)
Dva puta.	90% (90)	8 puta.	30% (30)
Tri puta.	80% (80)	9 puta.	20% (20)
4 puta.	70% (70)	10 puta.	10% (10)
5 puta.	60% (60)	11 puta.	00% (00)
Šest puta.	50% (50)		

**NAPOMENA:** Tokom kuvanja, možete da proverite trenutni nivo snage kuvanja pritiskom na dugme za NAPAJANJE.

## EKSPRESNO KUVANJE

---

Koristite ovu funkciju da biste programirali remu na mikrotalasnu hranu na 100% snage. U režimu pripravnosti i vrata rerne su zatvorena, pritisnite dugme START/QUICK START više puta da biste podesili vreme kuvanja (svaki pritisak za povećanje 30 sekundi i do 10 minuta), rema se odmah pokreće punom snagom.

## AUTOMATSKO ODMRZAVANJE

---

Vreme odmrzavanja i nivo snage se automatski podešavaju nakon programiranja težine hrane. Težina smrznute hrane kreće se od 100 g do 1800 g.

1. U režimu pripravnosti, pritisnite dugme za AUTOMATSKO ODMRZAVANJE jednom.
2. Pritisnite taster za PODEŠAVANJE TEŽINE više puta da biste izabrali težinu hrane.
3. Pritisnite dugme START/QUICK START za potvrdu.

**NAPOMENA:** Tokom odmrzavanja, sistem će pauzirati i oglašavati se kako bi podsetio korisnika da okrene hranu, a zatim pritisnite dugme START/QUICK START da biste nastavili odmrzavanje.

## ODMRZAVANJE BRZINE

---

1. U režimu pripravnosti, pritisnite taster za ODMRZAVANJE BRZINE jednom.
2. Okrenite TASTER MENI/VREME da biste podesili vreme odmrzavanja. Najduže vreme je 95 minuta.
3. Pritisnite dugme START/QUICK START za potvrdu.

**NAPOMENA:** Tokom odmrzavanja, sistem će pauzirati i oglašavati se kako bi podsetio korisnika da okrene hranu, a zatim pritisnite dugme START/QUICK START da biste nastavili odmrzavanje.

## VIŠESTEPENO KUVANJE

---

Vaša rena može biti programirana za najviše 2 automatske sekvence kuvanja. Pretpostavimo da želite da podesite sledeći program kuvanja:

### KUVANJE U MIKROTALASNOJ PEĆNICI



Kuvanje u mikrotalasnoj (sa nižim nivoom snage)

1. Unesite prvi program mikrotalasnog kuvanja. Nemojte pritiskati dugme START/QUICK START.
2. Unesite drugi program mikrotalasnog kuvanja.
3. Pritisnite dugme START/QUICK START za potvrdu.

**NAPOMENA:** Ekspresno kuvanje, automatsko odmrzavanje, brzo odmrzavanje i meniji za automatsko kuvanje ne mogu se podesiti u višestepenom kuvanju.

## AUTOMATSKO ČIŠĆENJE

---

Stavite posudu sa 300 g vode u renu i zatvorite vrata.

1. U režimu pripravnosti, okrenite MENI/VREMENSKI brojčanik u smeru suprotnom od kazaljke na satu jednom, a zatim okrenite brojčanik dok se na displeju ne pojave "CLE" i "AUTO".
2. Pritisnite dugme za PODEŠAVANJE TEŽINE jednom.
3. Pritisnite dugme START/QUICK START za pokretanje.

**NAPOMENA:** Vreme čišćenja je 10 minuta.

## UNAPRED ODREĐENO

---

Ova funkcija omogućava da se rena pokrene kasnije.

1. U režimu pripravnosti unesite program kuvanja (osim ekspresnog kuvanja, automatskog odmrzavanja i brzog odmrzavanja).
2. Pritisnite dugme za PODEŠAVANJE jednom.
3. Okrenite TASTER MENI/VREME da biste podesili cifru sata.
4. Pritisnite dugme za PODEŠAVANJE jednom.
5. Okrenite TASTER MENI/VREME da biste podesili cifru minuta.
6. Pritisnite dugme START/QUICK START jednom.

**NAPOMENA:** Vreme odbrojanja možete da proverite pritiskom na taster sa UNAPRED PODEŠENIM POSTAVKAMA, a ako pritisnete taster PAUZA/OTKAŽI kada se na displeju prikaže vreme, funkcija se može poništiti.



## OPCIJA ZAKLJUČAVANJA ZA ZAŠTITU DECE

Dečja brava sprečava da deca rade bez nadzora.

Za ulazak u dečju bravu: U režimu pripravnosti, ako ne dođe do bilo kakvog rada u roku od jednog minuta, rerna će automatski ući u režim dečije blokade i uključiti se indikator zaključavanja. U stanju zaključavanja, sva dugmad su onemogućena.

Za otkazivanje: U režimu dečje brave, otvorite ili zatvorite vrata rerne jednom da biste otkazali program i indikator zaključavanja će se isključiti.

## AUTOMATSKO KUVANJE

Za sledeću hranu ili režim kuvanja, nije potrebno programirati vreme i snagu kuvanja. Dovoljno je da navedete vrstu hrane koju želite da kuvate, kao i težinu ili porcije ove hrane.

1. U režimu pripravnosti, okrenite MENI/VREMENSKI brojačnik u smeru suprotnom od kazaljke na satu jednom, na displeju se prikazuje „A-01“, a zatim nastavite da okrećete brojačnik da biste izabrali drugi kôd hrane.
2. Pritisnite dugme za PODEŠAVANJE TEŽINE više puta da biste podesili težinu hrane ili porcije.
3. Pritisnite dugme START/QUICK START za potvrdu.

### Meniji automatskog kuvanja:

Kod	Hrana	Težina/količina	Napomena
A-01	Mleko/kafa/čaj (200 ml/šolja, 1-3 šolje)	1 šolja	Na displeju će biti prikazan broj porcija umesto težine hrane
		2 šolje	
		3 šolje	
A-02	Pica	150 g	
		300 g	
		450 g	
A-03	Krompir	100 g	
		200 g	
		300 g	
A-04	Automatsko zagrevanje	200 g	
		300 g	
		400 g	
		500 g	
		600 g	
		700 g	
A-05	Riba	800 g	
		200 g	
		300 g	
		400 g	

Kod	Hrana	Težina/količina	Napomena
		500 g	
		600 g	
A-06	Kokice	100 g	
A-07	-Poz.	200 g	
		400 g	
		600 g	
A-08	Palenta.	50 g	
		100 g	
		150 g	
A-09	Sveže povrće	200 g	
		300 g	
		400 g	
		500 g	
		600 g	
A-10	Zamrznuto povrće	200 g	
		300 g	
		400 g	
		500 g	
		600 g	
A-11	Pirinač	150 g	
		300 g	
		450 g	
		600 g	
A-12	Špageti/testenina	100 g	
		200 g	
		300 g	
A-13	Zamrznuta večera/obrok	250 g	
		500 g	
A-14	Automatsko čišćenje/ (performanse bi bile kapljica vode puna unutrašnjosti šupljine)		

Rezultat automatskog kuvanja zavisi od faktora kao što su oblik i veličina hrane, vaše lične sklonosti u pogledu doniranosti određene hrane, pa čak i od toga koliko dobro stavljate hranu u rernu. Ako smatrate da rezultat nije sasvim zadovoljavajući, prilagodite vreme kuvanja u skladu sa tim.

# ČIŠĆENJE I ODRŽAVANJE

1. Isključite rernu i odspojite kabl za napajanje sa zida prilikom čišćenja.
2. Održavajte unutrašnjost rerne čistom. Kada se hrana isprska ili prosuta tečnost zalepi za zidove rerne, obrišite vlažnom krpom. Blagi deterdžent se može koristiti ako se rerna veoma zaprlja. Izbegavajte upotrebu spreja ili drugih oštrih sredstava za čišćenje. Mogu da zaprljaju, zacrtaju ili otupe površinu vrata.
3. Spoljašnjost rerne treba očistiti vlažnom krpom. Da bi se sprečilo oštećenje radnih delova unutar rerne, voda ne sme da curi u ventilacione otvore.
4. Obrišite vrata i prozor sa obe strane, zaptivke vrata i susedne delove često vlažnom krpom kako biste uklonili eventualna izlivanja ili prskanja. Nemojte koristiti abrazivno sredstvo za čišćenje.
5. Čistač pare se ne koristi.
6. Ne dozvolite da se kontrolna tabla pokvasi. Očistite mekom, vlažnom krpom. Kada čistite kontrolnu tablu, ostavite vrata rerne otvorena kako biste sprečili slučajno uključivanje rerne.
7. Ako se para akumulira unutar ili oko vrata rerne, obrišite mekom krpom. To može da se desi kada mikrotalasna rerna radi u uslovima visoke vlažnosti. I to je normalno.
8. Povremeno je potrebno ukloniti staklenu tacnu radi čišćenja. Operite poslužavnik u toploj penušavoj vodi ili u mašini za pranje posuđa.
9. Valjkasti prsten i pod rerne treba redovno čistiti kako bi se izbegla prekomerna buka. Jednostavno obrišite donju površinu rerne blagim deterdžentom. Prsten valjka se može oprati u blagoj vodi sa sapunicom ili u mašini za pranje sudova. Prilikom uklanjanja valjkastog prstena, obavezno ga zamenite u odgovarajućem položaju.
10. Uklonite mirise iz rerne kombinovanjem šolje vode sa sokom i kožom jednog limuna u posudi koja se može koristiti u mikrotalasnoj. Mikrotalasna 5 minuta. Temeljito obrišite i osušite mekom krpom.
11. Ako sijalica pregori, kontaktirajte službu za korisnike da je zamene.
12. Pećnicu treba redovno čistiti i ukloniti sve naslage hrane. Neodržavanje rerne u čistom stanju može dovesti do propadanja površine koje može negativno uticati na vek trajanja jedinice i može dovesti do opasne situacije.
13. Nemojte odlagati ovaj uređaj u kantu za đubre; treba ga odlagati u određeni centar za odlaganje koji obezbeđuju opštine.



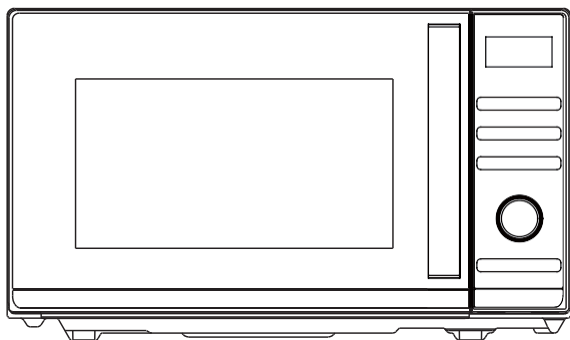
Ovaj uređaj je označen u skladu sa Evropskom direktivom 2012/19/EU o propisima o otpadnoj električnoj i elektronskoj opremi iz 2013. godine u vezi sa električnim i elektronskim uređajima (OEEO). OEEO obuhvata i zagađujuće materije (koje mogu imati negativne posledice po okolinu) i osnovne komponente (koje se mogu ponovo koristiti). Važno je da se OEEO podvrgne posebnim tretmanima, u cilju pravilnog otklanjanja i odlaganja svih zagađivača, kao i vraćanju i recikliranju svih materijala. Svaki pojedinac može pomoći da se

obezbedi da OEEO ne postane problem u procesu zaštite životne sredine; od ključnog je značaja pridržavati se nekih osnovnih pravila:

- OEEO se ne sme tretirati kao kućni otpad;
- OEEO se predaje mestima nadležnim za prikupljanje takvog otpada kojima upravljaju opština ili registrovana preduzeća.

U mnogim zemljama, za velike OEEO postoji sakupljanje kod kuće. Kada kupite novi uređaj, stari možete da vratite prodavcu koji je u obavezi da ga preuzme besplatno na bazi jedan-za-jedan, sve dok je oprema odgovarajućeg tipa i ima iste funkcije kao isporučena oprema.

# Інструкції для мікрохвильової печі



Модель: CMWA20TNDB

Будь ласка, уважно прочитайте ці інструкції перед встановленням та експлуатацією мікрохвильової печі.

<b>Haier Europe</b> <small>CANDY Haier</small>	<b>PT</b> 707 200 188 210 010 773	<b>IT</b> 02 400 48 200	<b>ES</b> 902 100 150 943 914 150	<b>DE</b> 0800 500 48 48
<b>BE</b> <b>LU</b>	<b>NL</b>	<b>AT</b>	<b>GR</b>	<b>CH</b>
02 752 94 10	33 422 4000	0820 220 224	801 11 50 50 50	0848 780 780

70017948

# ЗМІСТ

<b>ВАЖЛИВІ ІНСТРУКЦІ З ТЕХНІКИ БЕЗПЕКИ .....</b>	<b>2</b>
<b>ПОСІБНИК ІЗ ВСТАНОВЛЕННЯ.....</b>	<b>5</b>
<b>ІНСТРУКЦІЇ ЩОДО ЗАЗЕМЛЕННЯ .....</b>	<b>5</b>
<b>РАДІОПЕРЕШКОДИ .....</b>	<b>6</b>
<b>ПЕРШ НІЖ ВИКЛИКАТИ СЛУЖБУ .....</b>	<b>6</b>
<b>ТЕХНІКИ ПРИГОТУВАННЯ.....</b>	<b>7</b>
<b>ПОСІБНИК З КУХОННОГО ПОСУДУ.....</b>	<b>7</b>
<b>ТЕХНІЧНІ ХАРАКТЕРИСТИКИ .....</b>	<b>8</b>
<b>ДІАГРАМА ПРОДУКТУ.....</b>	<b>8</b>
<b>ПАНЕЛЬ УПРАВЛІННЯ .....</b>	<b>9</b>
<b>ІНСТРУКЦІЯ З ЕКСПЛУАТАЦІЇ .....</b>	<b>10</b>
Налаштування годинника.....	10
Приготування в мікрохвильовій печі .....	10
Експрес-приготування їжі.....	11
Автоматичне розморожування.....	11
Швидке розморожування.....	12
Багатостадійне приготування.....	12
Автоматичне очищення .....	12
Попередній набір .....	13
Функція блокування від дітей.....	13
Автоматичне приготування.....	13
<b>ОЧИЩЕННЯ ТА ДОГЛЯД .....</b>	<b>15</b>

# ЗАХОДИ БЕЗПЕКИ ДЛЯ УНИКНЕННЯ МОЖЛИВОГО НАДМІРНОГО ВПЛИВУ МІКРОХВИЛЬОВОЇ ЕНЕРГІЇ

1. Не намагайтеся використовувати цю мікрохвильову піч із відкритими дверцятами, оскільки робота з відкритими дверцятами може призвести до шкідливого впливу мікрохвильової енергії. Важливо не пошкодити й не змінювати запобіжні блокування.
2. Не розміщуйте будь-який предмет між передньою поверхнею печі та дверцятами, а також не допускайте накопичення на поверхнях ущільнення бруду або залишків мийних засобів.
3. Не використовуйте мікрохвильову піч, якщо вона пошкоджена. Дуже важливо, щоб дверцята печі правильно закривалися і щоб не було пошкоджень
  - а) дверцят (зокрема будь-яких згинань),
  - б) петель та защіпок (зламани або ослаблені),
  - в) ущільнень дверцят та поверхонь ущільнення.
4. Жодна особа, окрім кваліфікованого персоналу із сервісного обслуговування, не повинна здійснювати регулювання або ремонт печі.

## ВАЖЛИВІ ІНСТРУКЦІЇ З ТЕХНІКИ БЕЗПЕКИ

Під час використання електроприладу слід дотримуватися основних запобіжних заходів, зокрема наступних:

**УВАГА!** Для зменшення ризику опіків, ураження електричним струмом, пожежі, травм або впливу надмірної мікрохвильової енергії:

1. Використовуйте цей прилад тільки за призначенням, як описано в посібнику. Не використовуйте корозійні хімічні речовини або випари в цьому приладі. Цей тип печі спеціально призначений для нагрівання, приготування або сушіння їжі. Цей прилад не призначений для промислового або лабораторного використання.
2. Не використовуйте мікрохвильову піч, коли вона порожня.
3. Не використовуйте цей прилад, якщо він має пошкоджений шнур або вилку, якщо він не працює правильно, або якщо він був пошкоджений або падав. З метою уникнення небезпеки, заміна пошкодженого шнура живлення повинна здійснюватися виробником, фахівцем сервісного центру або іншою кваліфікованою особою.

4. **УВАГА!** Дозволяйте дітям користуватися приладом без нагляду лише після надання відповідних інструкцій, щоб дитина могла безпечно користуватися піччю та розуміти небезпеку неналежного використання.
5. Щоб зменшити ризик пожежі в порожнині печі:
  - Під час нагрівання харчових продуктів у пластиковій або паперовій тарі часто перевіряйте піч через можливість займання.
  - Перед тим, як помістити паперові або поліетиленові пакети в піч, зніміть із них будь-які зав'язки.
  - Якщо ви помітили дим, вимкніть або від'єднайте прилад від джерела живлення і тримайте дверцята зачиненими, щоб заглушити будь-яке полум'я.
  - Не використовуйте порожнину для зберігання. Не залишайте паперові вироби, посуд для приготування їжі або їжу в порожнині, коли прилад не використовується.
  - Мікрохвильова піч призначена для розігрівання продуктів харчування та напоїв. Сушіння їжі або одягу та нагрівання грюючих подушечок, тапочок, губок, вологої тканини та подібних предметів може призвести до ризику травмування, займання або пожежі.
6. **УВАГА!** Рідину або інші продукти харчування не слід нагрівати в герметичних контейнерах, оскільки вони можуть вибухнути.
7. Мікрохвильове нагрівання напою може призвести до закипання і розбризкування із затримкою, тому слід бути обережним під час перенесення контейнера.
8. Не смажте їжу в печі. Гаряча олія може пошкодити деталі печі та посуд і навіть призвести до опіків шкіри.
9. Яйця в шкарлупі та цілі зварені круто яйця не слід розігрівати в мікрохвильових печах, оскільки вони можуть вибухнути навіть після закінчення мікрохвильового нагрівання.
10. Перед приготуванням проколюйте продукти з твердою шкіркою, зокрема картоплю, цілі гарбузи, яблука та каштани.
11. Вміст пляшок для годування та банок для немовлят слід перемішати або струсити, а перед подачею перевірити температуру, щоб уникнути опіків.
12. Посуд може стати гарячим через тепло, що передається від нагрітої їжі. Для перенесення посуду можуть знадобитися кухонні рукавички.
13. Слід перевірити посуд, щоб переконатися, що він придатний для використання в мікрохвильовій печі.
14. **УВАГА!** Будь-які операції з обслуговування або ремонту, які передбачають зняття покриття, що забезпечує захист від впливу мікрохвильової енергії, мають виконуватися кваліфікованим фахівцем, в іншому разі це може бути небезпечно.
15. Цей прилад є радіочастотним обладнанням групи 2 класу В з діапазоном частот IS. Група 2 містить усе радіочастотне обладнання (промислове, наукове й медичне) з діапазоном частот IS, в якому радіочастотна енергія навмисно генерується та/або використовується у вигляді електромагнітного випромінювання для обробки матеріалу та електроерозійного обладнання. Обладнання класу В — це обладнання, придатне для використання в житлових місцях та в установках, безпосередньо підключених до мережі електропостачання низької напруги, яка живить будівлі, що використовуються для побутових цілей.



16. Цей пристрій не призначений для використання особами (в тому числі дітьми) з обмеженими фізичними, сенсорними або розумовими здібностями, а також особами без необхідного досвіду та знань, якщо вони не перебувають під наглядом або не отримали інструкції щодо використання пристрою з боку особи, яка відповідає за їхню безпеку.
17. Не залишайте дітей без нагляду, а також переконайтеся, що вони не граються з приладом.
18. Мікрохвильова піч використовується лише в автономному режимі.
19. **УВАГА!** Не встановлюйте піч над варильною поверхнею або іншим теплогенеруючим приладом. Під час такого встановлення прилад може бути пошкоджений і гарантія не діятиме.
20. Мікрохвильову піч не слід розміщувати в шафі.
21. **УВАГА!**: прилад та його доступні частини можуть нагріватися під час роботи.
22. **УВАГА!** Доступні частини можуть нагріватися під час використання. Малих дітей слід тримати осторонь.
23. Під час використання прилад стає гарячим. Слід бути обережним та не торкатися нагрівальних елементів всередині печі, для приготування вареної їжі та печі.
24. Температура поверхонь у зоні досяжності, може бути високою, коли прилад працює.
25. Прилад повинен бути розташований біля стіни.
26. Прилад не повинен використовуватися дітьми або особами з обмеженими фізичними, сенсорними або розумовими здібностями, або з відсутністю досвіду та знань, якщо вони не знаходяться під наглядом або не отримали інструкцій.
27. **УВАГА!** Якщо дверцята або ущільнення дверцят пошкоджені, піч не можна вмикати, доки вона не буде відремонтована компетентним фахівцем.
28. Ці прилади не призначені для роботи з використанням зовнішнього таймера або окремої системи дистанційного керування.
29. Мікрохвильова піч призначена лише для побутового використання, а не для комерційного.
30. Ніколи не знімайте прокладку для збереження відстані в задній частині або збоку, оскільки вона забезпечує мінімальну відстань від стіни для циркуляції повітря.
31. Будь ласка, закріпіть поворотний стіл перед переміщенням приладу, щоб уникнути пошкоджень.
32. **УВАГА!** Ремонт або обслуговування приладу повинен здійснювати тільки фахівець, оскільки це потребує зняття кришки, яка забезпечує захист від мікрохвильового випромінювання. Це стосується також заміни шнура живлення або освітлення. У таких випадках відправте прилад до нашого сервісного центру.
33. Мікрохвильова піч призначена лише для розморожування, приготування та пропарювання їжі.
34. Використовуйте рукавички, якщо ви виймаєте будь-які нагріті продукти харчування.
35. Застереження! Під час відкривання кришки чи розгортання фольги вийде пара.
36. Даний пристрій може використовуватися дітьми віком від 8 років та особами з обмеженими фізичними, сенсорними або розумовими здібностями, а також особами без необхідного досвіду та знань, якщо вони перебувають під наглядом або отримали інструкції щодо безпечного використання пристрою і

розуміють можливу небезпеку. Не дозволяйте дітям гратися з пристроєм. Очищення та технічне обслуговування не має здійснюватися дітьми віком до 8 років та без нагляду.

37. У разі виділення диму, вимкніть або від'єднайте прилад від джерела живлення і тримайте дверцята зачиненими, щоб заглушити будь-яке полум'я.

## ПОСІБНИК ІЗ ВСТАНОВЛЕННЯ

1. Переконайтеся, що всі пакувальні матеріали видалені зсередини приладу.
2. **УВАГА!** Перевірте піч наявність будь-яких пошкоджень, таких як неправильно вирівняних або зігнутих дверцят, пошкодженого ущільнення дверцят та поверхонь ущільнення, зламаних або ослаблених петель дверцят, защіпок та вм'ятин усередині порожнини або на дверцятах. У разі будь-яких пошкоджень не використовуйте піч та зверніться до кваліфікованого персоналу із сервісного обслуговування.
3. Цю мікрохвильову піч потрібно розмістити на плоскій, стабільній поверхні, щоб утримувати її вагу та найважчу їжу, яка, ймовірно, буде приготована в печі.
4. Не встановлюйте піч там, де утворюється тепло або висока вологість, або поблизу горючих матеріалів.
5. Для правильної роботи піч повинна мати достатній потік повітря. Залиште 20 см простору над верхньою поверхнею печі, 10 см позаду й 5 см з обох боків. Не закривайте та не блокуйте будь-які отвори на приладі. Не знімайте ніжки.
6. Не використовуйте піч без скляного лотка, роликової опори та вала в належних положеннях.
7. Переконайтеся, що шнур живлення не пошкоджений і не проходить під приладом або над будь-якою гарячою або гострою поверхнею.
8. Розетка повинна бути легкодоступною, щоб прилад можна було легко від'єднати в надзвичайній ситуації.
9. Не використовуйте піч на вулиці.

## ІНСТРУКЦІ ЩОДО ЗАЗЕМЛЕННЯ

Цей прилад повинен бути заземлений. Ця піч обладнана шнуром із заземлюючим дротом та заземлюючою вилкою. Вона повинна бути підключена до настінної розетки, яка правильно встановлена та заземлена. У разі короткого замикання заземлення зменшує ризик ураження електричним струмом, забезпечуючи дріт для відведення електричного струму. Рекомендується забезпечити окремий контур, що обслуговує лише мікрохвильову піч. Використання високої напруги є небезпечним і може призвести до пожежі або іншої аварії, що призведе до пошкодження печі.

**УВАГА!** Неправильне використання вилки заземлення може створити ризик ураження електричним струмом.

Примітка:

1. Якщо у вас виникають запитання щодо інструкцій із заземлення або електрики, зверніться до кваліфікованого електрика або фахівця із сервісного обслуговування.
  2. Ні виробник, ні дилер не несуть жодної відповідальності за пошкодження печі або травми, спричинені недотриманням процедур електричного підключення.
- Дроти в цій кабельній мережі мають кольорове позначення відповідно до такого коду:

**Зелений і жовтий = ЗАЗЕМЛЕННЯ**

**Синій = НУЛЬ**

**Коричневий = ФАЗА**

## РАДІОПЕРЕШКОДИ

Робота мікрохвильової печі може спричинити перешкоди для радіо, телевізора або подібного обладнання. У разі виникнення перешкод вони можуть бути зменшені або усунені шляхом вжиття наступних заходів:

1. Очистіть дверцята та поверхню ущільнення печі.
2. Переорієнтуйте приймальну антену радіо або телебачення.
3. Перемістіть мікрохвильову піч відносно приймача.
4. Перемістіть мікрохвильову піч подальше від приймача.
5. Підключіть мікрохвильову піч до іншої розетки так, щоб вона та приймач були на різних гілках.

## ПЕРШ НІЖ ВИКЛИКАТИ СЛУЖБУ

Перш ніж подати запит на обслуговування, перевірте кожен пункт нижче:

- Перевірте, чи піч підключена надійно. Якщо ні, витягніть вилку з розетки, зачекайте 10 секунд та знову надійно підключіть її.
- Перевірте, чи не перегорів запобіжник або чи не вимкнуто головний вимикач. Якщо вони працюють правильно, перевірте розетку за допомогою іншого приладу.
- Перевірте, чи правильно запрограмована панель управління та встановлено таймер.
- Перевірте, щоб дверцята були надійно зачинені, увімкнувши систему блокування дверцят. Якщо дверцята не закриті правильно, мікрохвильова енергія не буде спрямована всередину.

**ЯКЩО ЖОДЕН ІЗ НАВЕДЕНИХ ВИЩЕ ПУНКТИВ НЕ ВИПРАВЛЯЄ СИТУАЦІЮ, ЗВЕРНІТЬСЯ ДО КВАЛІФІКОВАНОГО ТЕХНІКА. НЕ НАМАГАЙТЕСЯ НАЛАШТУВАТИ АБО РЕМОНТУВАТИ ПІЧ САМОСТІЙНО.**

# ТЕХНІКИ ПРИГОТУВАННЯ

1. Акуратно розкладіть їжу. Покладіть найтовщі ділянки із зовнішнього боку посудини.
2. Спостерігайте за часом приготування. Готуйте протягом найкоротшого зазначеного часу і додайте більше за потреби. Сильно перетримана їжа може димити або зайнятися.
3. Накрийте продукти під час приготування. Кришка запобігає розбризуванню і допомагає продуктам готуватися рівномірно.
4. Переверніть їжу один раз під час приготування в мікрохвильовій печі, щоб пришвидшити приготування таких продуктів, як курка та гамбургери. Великі страви, такі як печеня, слід перевернути хоча б один раз.
5. Змініть розташування їжі, наприклад, фрикадельок, щойно мине половина часу приготування, як зверху донизу, так і з центру страви назовні.

# ПОСІБНИК З КУХОННОГО ПОСУДУ

1. Мікрохвильове випромінювання не може проникати крізь метал. Використовуйте тільки посуд, який підходить для використання в мікрохвильових печах. Не дозволяється використовувати металеві контейнери для їжі та напоїв під час приготування в мікрохвильовій печі. Ця вимога не стосується випадків, коли виробник зазначає розмір і форму металевих контейнерів, які підходять для використання в мікрохвильовій печі.
2. Мікрохвильове випромінювання не може проникати крізь метал, тому не слід використовувати металевий посуд або посуд із металевим обрамленням.
3. Не використовуйте перероблені паперові вироби під час приготування в мікрохвильовій печі, оскільки вони можуть містити дрібні металеві фрагменти, які можуть спричинити іскри та/або пожежу.
4. Рекомендується використовувати круглий/овальний посуд, а не квадратний/прямокутний, оскільки їжа в кутах зазвичай перегрівається.
5. Можна використовувати вузькі смужки алюмінієвої фольги для запобігання перегріванню відкритих ділянок. Але будьте обережні, не використовуйте занадто багато фольги й зберігайте відстань 2,54 см між фольгою та порожниною.

Нижченаведений список є загальними рекомендаціями, які допоможуть вам вибрати правильний посуд.

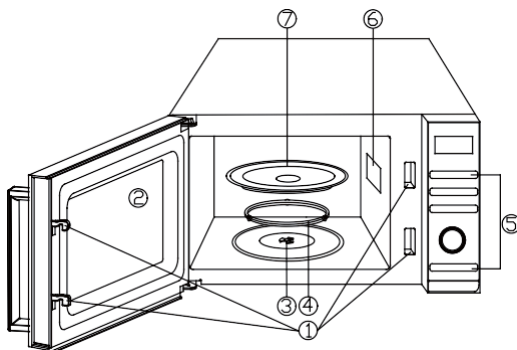
Посуд	Приготування їжі в мікрохвильовій печі
Термостійке скло	Так
Не термостійке скло	Ні
Термостійка кераміка	Так
Пластиковий посуд, безпечний для мікрохвильового випромінювання	Так
Кухонний папір	Так
Металевий лоток	Ні
Металева стійка	Ні
Алюмінієва фольга та контейнери з фольги	Ні

## ТЕХНІЧНІ ХАРАКТЕРИСТИКИ

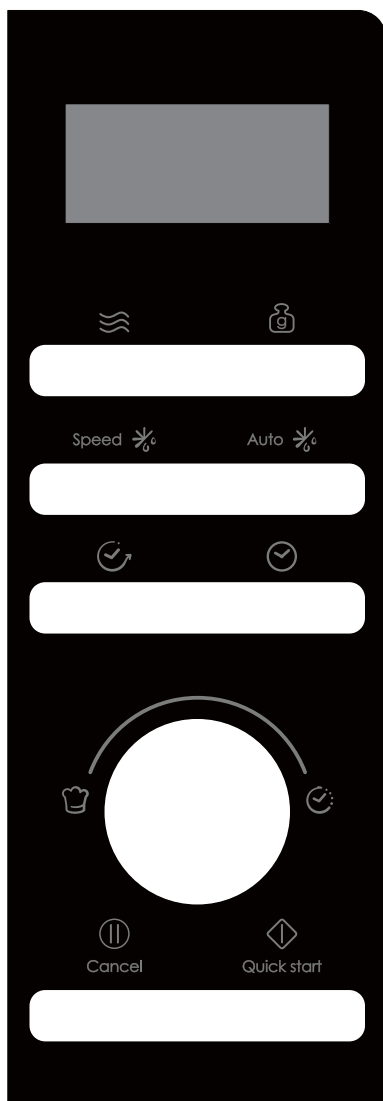
Споживана потужність:	230-240 В/50 Гц, 1200Вт (мікрохвильовий)
Результат	700 Вт
Робоча частота:	2450 МГц
Зовнішні розміри	262мм(В)×452мм(Ш)×346мм(Г)
Розміри порожнини печі:	198 мм (В) × 315 мм (Ш) × 297 мм (Г)
Об'єм печі:	Компактні 20 літрів
Вага нетто:	Приблизно 10,8 кг

## ДІАГРАМА ПРОДУКТУ

1. Система блокування дверцят
2. Віконце печі
3. Вал
4. Роликове кільце
5. Панель управління
6. Посібник по хвилях  
(Будь ласка, не знімайте слюдяну пластину, що закриває хвилевод)
7. Складний лоток



# ПАНЕЛЬ УПРАВЛІННЯ



## ● ДИСПЛЕЙ

Відображаються час приготування, потужність, індикатори та час годинника.


## ● ПОТУЖНІСТЬ

Натисніть, щоб встановити рівень потужності мікрохвильового приготування.

## ● РЕГУЛЮВАННЯ ВАГИ

Натисніть, щоб встановити вагу їжі або порції.

## ● ШВИДКІСТЬ РОЗМОРОЖУВАННЯ

Speed 

Натисніть, щоб розморозити їжу залежно від часу.

## ● АВТОМАТИЧНЕ РОЗМОРОЖУВАННЯ

Auto 

Натисніть, щоб розморозити їжу залежно від ваги.

## ● ПОПЕРЕДНЄ НАЛАШТУВАННЯ

Використовуйте, щоб налаштувати духовку для запуску пізніше.

## ● ГОДИННИК

Натисніть, щоб встановити час годинника.

## ● МЕНЮ/ЧАС (набір)

Поверніть, щоб встановити час, і виберіть меню автоматичного приготування.



## ● ПРИЗУПИНИТИ/СКАСУВАТИ Cancel

Натисніть один раз, щоб тимчасово припинити приготування, або двічі, щоб повністю скасувати приготування.


## ● ПОЧАТОК/ШВИДКИЙ ПОЧАТОК

Quick start

Натисніть, щоб розпочати програми приготування та розморожування.

Просто натисніть її кілька разів, щоб встановити час приготування, і негайно готуйте на повній потужності.

# ІНСТРУКЦІЯ З ЕКСПЛУАТАЦІЇ

- Коли духовка вперше підключена, пролунає звуковий сигнал, а на дисплеї з'явиться  і "1:01".
- Якщо в процесі налаштування відбудеться перерва на приблизно 30 секунд, піч повернеться в режим очікування.
- Під час приготування, якщо натиснути кнопку PAUSE/CANCEL один раз, програму буде призупинено, а потім натисніть кнопку START/QUICK START, щоб відновити. Але якщо натиснути кнопку PAUSE/CANCEL двічі, програму буде скасовано.
- Після закінчення приготування на дисплеї з'явиться повідомлення End (Кінець), а звуковий сигнал лунатиме кожні дві хвилини, поки користувач не натисне будь-яку кнопку або не відкриє дверцята.

## НАЛАШТУВАННЯ ГОДИННИКА

---

Це 12- або 24-годинний годинник. Ви можете встановити час годинника в 12- або 24-годинному режимі, натиснувши кнопку ПОТУЖНІСТЬ/ГОДИННИК у режимі очікування.

1. У режимі очікування натисніть кнопку ГОДИННИКА кілька разів, щоб вибрати 12- або 24-годинний годинник.
2. Повертайте МЕНЮ/регулятор ЧАСУ, поки на дисплеї не з'явиться правильна година.
3. Натисніть кнопку ГОДИННИКА один раз.
4. Повертайте МЕНЮ/регулятор ЧАСУ, поки на дисплеї не з'явиться правильна хвилина.
5. Натисніть кнопку ГОДИННИКА, щоб підтвердити.

**ПРИМІТКА:** Під час приготування можна перевірити поточний час годинника, натиснувши кнопку ГОДИННИКА.

## ПРИГОТУВАННЯ В МІКРОХВИЛЬОВІЙ ПЕЧІ

---

1. У режимі очікування натисніть кнопку ЖИВЛЕННЯ кілька разів, щоб вибрати рівень потужності.
2. Поверніть МЕНЮ/регулятор ЧАСУ, щоб встановити час приготування. Найдовший час — 95 хвилин.
3. Натисніть кнопку ЗАПУСК/ШВИДКИЙ ЗАПУСК для підтвердження.

## Виберіть рівень потужності, натиснувши кнопку ЖИВЛЕННЯ:

Натисніть кнопку ЖИВЛЕННЯ	Потужність (дисплей)	Натисніть кнопку ЖИВЛЕННЯ	Потужність (дисплей)
Один раз	100% (100)	7 разів	40% (40)
Двічі	90% (90)	8 разів	30% (30)
3 разів	80% (80)	9 разів	20% (20)
4 разів	70% (70)	10 разів	10% (10)
5 разів	60% (60)	11 разів	00% (00)
6 рази	50% (50)		

**ПРИМІТКА:** Під час приготування можна перевірити поточний рівень потужності приготування, натиснувши кнопку POWER (ЖИВЛЕННЯ).

## ЕКСПРЕС-ПРИГОТУВАННЯ ЇЖІ

---

Використовуйте цю функцію, щоб зручно запрограмувати духовку на мікрохвильову їжу на 100% потужності. У режимі очікування, коли дверцята духовки зачинені, натисніть кнопку START/QUICK START (Пуск/Швидкий запуск) кілька разів, щоб встановити час приготування (кожне натискання збільшує тривалість на 30 секунд і до 10 хвилин), духовка одразу починає працювати на повній потужності.

## АВТОМАТИЧНЕ РОЗМОРОЖУВАННЯ

---

Час розморожування та рівень потужності автоматично встановлюються після програмування ваги їжі. Маса замороженої їжі коливається від 100 г до 1800 г.

1. У режимі очікування натисніть кнопку АВТОМАТИЧНОГО РОЗМОРОЖУВАННЯ один раз.
2. Натисніть кнопку РЕГУЛЮВАННЯ ВАГИ кілька разів, щоб вибрати вагу їжі.
3. Натисніть кнопку ЗАПУСК/ШВИДКИЙ ЗАПУСК для підтвердження.

**ПРИМІТКА:** Під час розморожування система призупинить роботу та подасть звуковий сигнал, щоб нагадати користувачеві про необхідність перевернути їжу, після чого натисніть кнопку START/QUICK START (ПУСК/ШВИДКИЙ СТАРТ), щоб відновити розморожування.



## ШВИДКЕ РОЗМОРОЖУВАННЯ

---

1. У режимі очікування натисніть кнопку ШВИДКЕ РОЗМОРОЖУВАННЯ один раз.
2. Поверніть МЕНЮ/регулятор ЧАСУ, щоб встановити час розморожування. Найдовший час — 95 хвилин.
3. Натисніть кнопку ЗАПУСК/ШВИДКИЙ ЗАПУСК для підтвердження.

**ПРИМІТКА:** Під час розморожування система призупинить роботу та подасть звуковий сигнал, щоб нагадати користувачеві про необхідність перевернути їжу, після чого натисніть кнопку START/QUICK START (ПУСК/ШВИДКИЙ СТАРТ), щоб відновити розморожування.

## БАГАТОСТАДІЙНЕ ПРИГОТУВАННЯ

---

Вашу духовку можна запрограмувати на 2 автоматичні послідовності приготування їжі. Припустимо, ви хочете встановити наступну програму приготування:

Приготування в мікрохвильовій печі



Приготування в мікрохвильовій печі (з нижчим рівнем потужності)

1. Уведіть першу програму приготування в мікрохвильовій печі. Не натискайте кнопку START/QUICK START.
2. Уведіть другу програму приготування в мікрохвильовій печі.
3. Натисніть кнопку ЗАПУСК/ШВИДКИЙ ЗАПУСК для підтвердження.

**ПРИМІТКА:** Меню швидкого приготування їжі, автоматичного розморожування, швидкісного розморожування та автоматичного приготування їжі не можна встановити в багатоетапному приготуванні.

## АВТОМАТИЧНЕ ОЧИЩЕННЯ

---

Поставте миску з 300 г води в духовку і зачиніть дверцята.

1. У режимі очікування один раз поверніть ручку MENU/TIME проти годинникової стрілки, а потім поверніть ручку до тих пір, поки на дисплеї не з'явиться повідомлення "CLE" та "AUTO".
2. Натисніть кнопку РЕГУЛЮВАННЯ ВАГИ один раз.
3. Натисніть кнопку START/QUICK START (ПУСК/ШВИДКИЙ СТАРТ), щоб почати.

**ПРИМІТКА:** Час прибирання становить 10 хвилин.

## ПОПЕРЕДНІЙ НАБІР

---

Ця функція дозволяє запустити духовку пізніше.

1. У режимі очікування введіть програму приготування (крім швидкого приготування, автоматичного розморожування та швидкісного розморожування).
2. Натисніть кнопку PRESET один раз.
3. Поверніть МЕНЮ/шкалу ЧАСУ, щоб встановити цифру години.
4. Натисніть кнопку PRESET один раз.
5. Поверніть МЕНЮ/шкалу ЧАСУ, щоб встановити хвилинну цифру.
6. Натисніть кнопку ЗАПУСК/ШВИДКИЙ ЗАПУСК один раз.

**ПРИМІТКА:** Ви можете перевірити час відліку, натиснувши кнопку PRESET (ПОПЕРЕДНЄ НАЛАШТУВАННЯ), якщо натиснути кнопку PAUSE/CANCEL (Пауза/Скасувати), коли на дисплеї відобразиться час, функцію можна скасувати.

## ФУНКЦІЯ БЛОКУВАННЯ ВІД ДІТЕЙ

---

Блокування від дітей запобігає використанню приладу дітьми без нагляду.

Щоб увійти в режим блокування доступу дітей, виконайте наведені У режимі очікування, якщо протягом однієї хвилини не буде виконано жодної операції, духовка автоматично перейде в режим блокування дитини, а індикатор блокування ввімкнеться. У режимі блокування всі кнопки не активні.

Щоб скасувати: У режимі дитячого замка відкрийте або закрийте дверцята духовки один раз, щоб скасувати програму, а індикатор замка вимкнеться.

## АВТОМАТИЧНЕ ПРИГОТУВАННЯ

---

Для наступного режиму приготування їжі або приготування їжі не обов'язково запрограмувати час та потужність приготування. Достатньо вказати тип їжі, яку ви хочете приготувати, а також її вагу або порції.

1. У режимі очікування один раз поверніть ручку MENU/TIME проти годинникової стрілки, на дисплеї відобразиться "A-01", а потім продовжіть повертати ручку, щоб вибрати код інших страв.
2. Натисніть кнопку РЕГУЛЮВАННЯ ВАГИ кілька разів, щоб встановити вагу їжі або порцій.
3. Натисніть кнопку ЗАПУСК/ШВИДКИЙ ЗАПУСК для підтвердження.

### Меню автоматичного приготування:

Код	Їжа	Вага/Кількість	Примітка
A-01	Молоко/кава/чай (200 мл/чашка, 1-3 чашки)	1 чашка	На дисплеї відобразатиметься кількість порцій замість ваги їжі
		2 чашки	
		3 чашки	
A-02	Піца	150гр	
		300 г	

Код	Їжа	Вага/Кількість	Примітка
		450 г	
A-03	Картопля	100 г	
		200 г	
		300 г	
		400 г	
A-04	Автоматичний підігрів	200 г	
		300 г	
		400 г	
		500 г	
		600 г	
		700 г	
		800 г	
A-05	Риба	200 г	
		300 г	
		400 г	
		500 г	
		600 г	
A-06	Попкорн	100 г	
A-07	Суп	200 г	
		400 г	
		600 г	
A-08	Каша	50 г	
		100 г	
		150гр	
A-09	Свіжий овоч	200 г	
		300 г	
		400 г	
		500 г	
		600 г	
A-10	Заморожені овочі	200 г	
		300 г	
		400 г	
		500 г	
		600 г	
A-11	Рис	150гр	
		300 г	
		450 г	
		600 г	

Код	Їжа	Вага/Кількість	Примітка
A-12	Спагеті/макарони	100 г	
		200 г	
		300 г	
A-13	Заморожена вечеря/їжа	250 г	
		500 г	
A-14	Авточистка/ (продуктивність буде краплею води, повною внутрішньої порожнини)		

Результат автоматичного приготування залежить від таких факторів, як форма та розмір їжі, ваші особисті уподобання щодо готовності певних продуктів і навіть того, наскільки добре ви помістили їжу в піч. Якщо ви вважаєте результат у будь-якому разі не зовсім задовільним, трохи відрегулюйте час приготування.

## ОЧИЩЕННЯ ТА ДОГЛЯД

1. Під час очищення вимкніть піч та від'єднайте кабель живлення від розетки.
2. Тримайте внутрішню частину печі чистою. Коли бризки від їжі або розлиті рідини прилипають до стінок печі, протріть їх вологою тканиною. Якщо піч сильно забруднена, можна використовувати м'які мийні засоби. Уникайте використання розпилювача або інших жорстких очищувачів. Вони можуть залишати плями та смуги на дверцятах або приглушити колір їх поверхні.
3. Зовнішню частину печі слід очищувати вологою тканиною. Щоб запобігти пошкодженню робочих частин всередині печі, не допускайте потрапляння води в вентиляційні отвори.
4. Часто протирайте дверцята та вікно з обох боків, а також ущільнення дверцят та прилеглі частини вологою тканиною, щоб усунути будь-які розливи або бризки. Не використовуйте абразивні очищувачі.
5. Не слід використовувати пароочисник.
6. Запобігайте потраплянню вологи на панель управління. Очищування здійснюйте м'якою вологою тканиною. Під час очищення панелі управління залиште дверцята печі відкритими, щоб запобігти випадковому її ввімкненню.
7. Якщо пара накопичується всередині або навколо зовнішніх дверцят печі, протріть їх м'якою тканиною. Це може виникнути, коли мікрохвильова піч працює в умовах високої вологості. І це нормально.
8. Іноді потрібно виймати скляний піддон для очищення. Мийте піддон у теплій мильній воді або в посудомийній машині.
9. Роликове кільце та основу печі слід регулярно очищати, щоб уникнути надмірного шуму. Просто протріть нижню поверхню печі м'яким мийним засобом. Роликове кільце можна промити в м'якій мильній воді або в посудомийній машині. Після виймання роликового кільця, обов'язково встановіть його назад у правильне положення.
10. Усуньте запахи з печі, наливши чашку води та додавши сік та шкірку лимону в посуд, придатний приготування в мікрохвильовій печі. Увімкніть

мікрохвильову піч на 5 хвилин. Ретельно протріть та висушіть м'якою тканиною.

11. Якщо лампочка згорить, зверніться в службу підтримки клієнтів, щоб замінити її.
12. Піч слід регулярно очищати, а будь-які залишки харчових продуктів слід видаляти. Непідтримання чистого стану печі може призвести до погіршення стану поверхні, що може негативно вплинути на термін служби приладу і, можливо, призвести до небезпечної ситуації.
13. Будь ласка, не викидайте цей прилад у контейнер для побутового сміття; його слід утилізувати в спеціалізованому центрі утилізації, створеному міською владою.



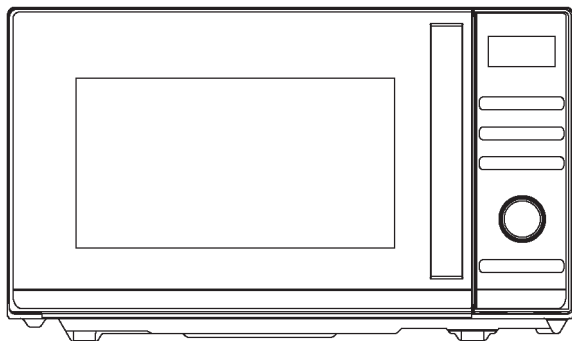
Цей прилад маркується відповідно до Європейської Директиви 2012/19/ЄС щодо Регламенту відходів електричного та електронного обладнання 2013 року щодо електричних та електронних приладів (WEEE). ВЕЕО містять як забруднюючі речовини (які можуть негативно впливати на навколишнє середовище), так і базові елементи (які можуть бути використані повторно). Важливо, щоб ВЕЕО проходили спеціальну обробку

для належного усунення та переробки забруднюючих речовин, а також для відновлення всіх матеріалів. Фізичні особи можуть відігравати важливу роль у забезпеченні того, щоб ВЕЕО не стали проблемою для навколишнього середовища; необхідно дотримуватися певних основних правил:

- ВЕЕО не слід поміщати разом з побутовими відходами.
- ВЕЕО слід доставити в спеціалізовані пункти збору, які управляються міською владою або зареєстрованою компанією.

У багатьох країнах для великих ВЕЕО здійснюється забір із дому. Коли ви купуєте новий прилад, старий може бути повернений у точку роздрібної торгівлі, яка повинна безкоштовно забрати його за принципом один до одного, за умови якщо це аналогічне обладнання, яке має ті ж функції, що й новий прилад.

# Bedienungsanleitung Mikrowellenofen



Modell: CMWA20TNDB

Lesen Sie die vorliegende Bedienungsanleitung sorgfältig durch,  
bevor Sie den Ofen installieren und in Betrieb nehmen.

<b>Haier Europe</b> Candy Haier	<b>PT</b> ☎ 707 200 188 210 010 773	<b>IT</b> ☎ 02 400 48 200	<b>ES</b> ☎ 902 100 150 943 914 150	<b>DE</b> ☎ 0800 500 48 48
<b>BE</b> ☎ 02 752 94 10	<b>NL</b> ☎ 33 422 4000	<b>AT</b> ☎ 0820 220 224	<b>GR</b> ☎ 801 11 50 50 50	<b>CH</b> ☎ 0848 780 780

70017948

# VORWORT

<b>VORWORT</b> .....	1
<b>VORSICHTSMASSNAHMEN, UM EINE ZU HOHE MIKROWELLENBELASTUNG ZU VERHINDERN</b> .....	2
<b>WICHTIGER SICHERHEITSHINWEIS</b> .....	2
<b>INSTALLATIONSANLEITUNG</b> .....	5
<b>ANLEITUNGEN ZUM ERDEN</b> .....	6
<b>FUNKINTERFERENZ</b> .....	6
<b>BEVOR SIE DEN KUNDENSERVICE RUFEN</b> .....	7
<b>GARTECHNIKEN</b> .....	7
<b>LEITFADEN FÜR KOCHGERÄTE</b> .....	8
<b>SPEZIFIKATIONEN</b> .....	9
<b>PRODUKTDIAGRAMM</b> .....	9
<b>BEDIENFELD</b> .....	10
<b>BEDIENUNGSANLEITUNG</b> .....	11
UHR EINSTELLEN .....	11
GAREN MIT DER MIKROWELLE .....	11
EXPRESS-GAREN .....	12
AUTOMATISCHES AUFTAUEN .....	12
SCHNELL AUFTAUEN .....	12
MEHRSTUFIGES GAREN .....	13
SELBSTREINIGUNG .....	13
VOREINSTELLUNG .....	13
KINDERSICHERUNG .....	13
AUTOMATISCHES GAREN .....	14
<b>REINIGEN UND PFLEGEN</b> .....	16

# VORSICHTSMASSNAHMEN, UM EINE ZU HOHE MIKROWELLENBELASTUNG ZU VERHINDERN

1. Versuchen Sie nicht, den Ofen mit offener Tür zu betreiben, weil ein Betrieb bei offener Tür zu schädlicher Belastung durch Mikrowellen führen kann. Manipulieren Sie keinesfalls die Sicherheitsverriegelungen oder entfernen Sie sie.
2. Stellen Sie keinen Gegenstand zwischen die Vorderseite des Ofens und die Tür und verhindern Sie, dass sich Schmutz oder Reinigungsmittelreste auf den Dichtungsflächen ansammeln.
3. Betreiben Sie den Ofen nicht, wenn er beschädigt ist. Die Ofentür muss unbedingt richtig geschlossen sein und die folgenden Teile dürfen keine Beschädigungen aufweisen:
  - a) Tür (einschließlich eventueller Biegungen),
  - b) Scharniere und Schnappriegel (zerbrochen oder gelockert),
  - c) Türdichtungen und Dichtungsflächen.
4. Der Ofen sollte ausschließlich von ordnungsgemäß qualifiziertem Kundendienstpersonal in Ordnung gebracht und repariert werden.

## WICHTIGER SICHERHEITSHINWEIS

Bei der Verwendung elektrischer Geräte sind grundlegende Sicherheitsvorkehrungen zu beachten, unter anderem die folgenden:

**WARNUNG!**--Beachten Sie die folgenden Hinweise, um das Risiko für Verbrennungen, Stromschläge, Brand, Verletzungen oder eine übermäßige Mikrowellenbelastung von Personen zu reduzieren:

1. Verwenden Sie das Gerät nur für seinen Bestimmungszweck, der in der Bedienungsanleitung beschrieben ist. Verwenden Sie keine korrosiven Chemikalien oder Dämpfe in diesem Gerät. Diese Ofenart ist speziell zum Aufwärmen, Kochen oder Trocknen von Lebensmitteln konzipiert. Der Ofen ist nicht für die industrielle Nutzung oder die Nutzung im Labor bestimmt.
2. Betreiben Sie den Ofen nicht, wenn er leer ist.
3. Betreiben Sie dieses Gerät nicht, wenn das Stromkabel oder der Stecker des Stromkabels beschädigt sind, wenn das Gerät nicht ordnungsgemäß funktioniert oder wenn es beschädigt oder fallen gelassen wurde. Wenn das Stromkabel beschädigt ist, muss es vom Hersteller oder von seinem Service-Mitarbeiter, oder einer gleichwertig qualifizierten Person ausgetauscht werden, um jegliches Risiko zu vermeiden.



4. **WARNUNG!**--Erlauben Sie Kindern die Verwendung des Ofens ohne Aufsicht nur, wenn Sie angemessene Anweisungen gegeben haben und sichergestellt ist, dass das Kind den Ofen auf sichere Weise nutzen kann und die Gefahren einer nicht sachgemäßen Verwendung verstanden hat.
5. Beachten Sie die folgenden Hinweise, um das Risiko für einen Brand im Garraum zu reduzieren:
  - Behalten Sie den Ofen wegen der Entzündungsgefahr im Auge, wenn Sie Lebensmittel in Kunststoff- oder Papierbehältern aufwärmen.
  - Entfernen Sie Drahtbindeverschlüsse von Papier- oder Kunststoffbehältern, bevor Sie einen Behälter in den Ofen stellen.
  - Wenn Sie Rauch feststellen, schalten Sie das Gerät aus oder ziehen Sie den Netzstecker und lassen Sie die Ofentür geschlossen, um Flammen zu ersticken.
  - Verwenden Sie den Garraum nicht zu Aufbewahrungszwecken. Lassen Sie keine Papierprodukte, Kochgerätschaften oder Lebensmittel im Garraum, wenn der Ofen nicht in Betrieb ist.
  - Der Mikrowellenherd ist für die Erwärmung von Speisen und Getränken vorgesehen. Das Trocknen von Lebensmitteln oder Kleidung sowie das Erwärmen von Wärmekissen, Hausschuhen, Schwämmen, feuchten Tüchern und Ähnlichem kann zu Verletzungs-, Entzündungs- oder Brandgefahr führen.
6. **WARNUNG!**--Flüssigkeiten oder andere Lebensmittel dürfen nicht in luftdicht verschlossenen Behältern erhitzt werden, weil sie explodieren können.
7. Die Erwärmung von Getränken durch Mikrowellen kann zu verzögertem eruptivem Kochen führen, daher ist der Behälter mit Sorgfalt zu behandeln.
8. Frittieren Sie keine Lebensmittel im Ofen. Heißes Öl kann Ofenteile und Kochutensilien beschädigen und sogar Hautverbrennungen herbeiführen.
9. Eier in ihrer Schale und hartgekochte Eier sollten nicht in Mikrowellenöfen erhitzt werden, weil sie auch dann noch explodieren können, wenn die Mikrowellenerhitzung beendet wurde.
10. Stechen Sie Lebensmittel mit festen Schalen, wie Kartoffeln, ganze Kürbisse, Äpfel und Kastanien vor dem Kochen ein.
11. Der Inhalt von Säuglingsfläschchen und Babygläsern sollte gerührt oder geschüttelt werden und die Temperatur sollte vor dem Servieren kontrolliert werden, um Verbrennungen zu vermeiden.
12. Kochgeräte können durch die Hitze, die von den erwärmten Lebensmitteln übertragen wird, heiß werden. Unter Umständen sind für den Umgang mit dem Kochgerät Topflappen erforderlich.
13. Vergewissern Sie sich bei Kochgeräten, ob diese sich auch für die Verwendung im Mikrowellenofen eignen.
14. **WARNUNG!**--Für jede nicht geschulte Person ist es gefährlich, Kundendienst- oder Reparaturarbeiten durchzuführen, bei denen Abdeckungen entfernt werden müssen, die vor der Mikrowellenbelastung schützen.
15. Bei dem vorliegenden Produkt handelt es sich um ein ISM-Gerät der Gruppe 2 Klasse B. Die Definition der Gruppe 2, die alle ISM-Geräte (= für industrielle, wissenschaftliche und medizinische Anwendungen) umfasst, in denen Funkfrequenzenergie in Form von elektromagnetischer Strahlung für die Behandlung von Materialien absichtlich erzeugt

- und/oder verwendet wird sowie Funkenerodiermaschinen. Geräte der Klasse B eignen sich für die Nutzung in Wohnbereichen und in Einrichtungen, die direkt an ein Niederspannungsversorgungsnetz angeschlossen sind, das Wohngebäude versorgt.
16. Das Gerät ist nicht zur Nutzung durch Personen (einschließlich Kindern) mit eingeschränkten körperlichen, sensorischen oder geistigen Fähigkeiten oder mangelnder Erfahrung und mangelndem Wissen bestimmt, sofern diese nicht in die Bedienung des Geräts durch eine Person eingewiesen wurden, die für ihre Sicherheit verantwortlich ist oder von einer solchen Person beaufsichtigt werden.
  17. Kinder sollten beaufsichtigt werden, um sicherzustellen, dass sie nicht mit dem Gerät spielen.
  18. Der Mikrowellenofen darf nur als freistehendes Gerät verwendet werden.
  19. **WARNUNG!**--Installieren Sie den Ofen nicht über einem Kochbereich oder über anderen Hitze erzeugenden Geräten. In einem solchen Fall könnte der Ofen beschädigt werden und die Garantie würde erlöschen.
  20. Der Mikrowellenofen darf nicht in einem Schrank aufgestellt werden.
  21. **WARNUNG!**--Das Gerät und die zugänglichen Teile können während des Betriebs heiß werden.
  22. **WARNUNG!**--Zugängliche Teile können während des Betriebs heiß werden. Kleine Kinder nicht in die Nähe des Geräts gelangen lassen.
  23. Während der Verwendung wird das Gerät heiß. Die Heizelemente im Ofen, für Kochfelder und Backöfen nicht berühren.
  24. Die Temperatur der zugänglichen Flächen kann bei Betrieb des Geräts hoch sein.
  25. Das Gerät ist gegen eine Wand aufzustellen.
  26. Das Gerät ist nicht durch Kinder oder Personen mit eingeschränkten körperlichen, sensorischen oder geistigen Fähigkeiten oder mangelnder Erfahrung und mangelndem Wissen zu verwenden, sofern diese nicht in die Bedienung des Geräts eingewiesen wurden oder beaufsichtigt werden.
  27. **WARNUNG!**--Falls die Tür oder die Türdichtungen beschädigt sein sollte, darf der Ofen erst wieder in Betrieb genommen werden, nachdem er durch eine qualifizierte Person repariert wurde.
  28. Das Gerät ist nicht dazu bestimmt, über einen externen Timer oder eine gesonderte Fernsteuerung betrieben zu werden.
  29. Der Mikrowellenofen ist lediglich zur Nutzung in Haushalten und nicht für die gewerbliche Nutzung bestimmt.
  30. Entfernen Sie keinesfalls die Abstandhalter von der Rückseite oder von den Seiten, da diese für einen Mindestabstand von den Wänden zur Gewährleistung der Luftzirkulation sorgen.
  31. Sichern Sie zuerst den Drehteller, bevor Sie das Gerät transportieren, dadurch vermeiden Sie Schäden.
  32. **VORSICHT!**--Es ist gefährlich, das Gerät von einer nicht qualifizierten Person reparieren oder warten zu lassen, weil dabei die Schutzabdeckung abgenommen werden muss, die Schutz vor Mikrowellenstrahlung bietet. Das Gleiche gilt auch für den Austausch des Netzkabels oder der Beleuchtung. Senden Sie das Gerät in diesen Fällen an unser Kundendienstzentrum.

33. Der Mikrowellenofen ist lediglich zum Auftauen, Kochen und Dämpfen von Lebensmitteln bestimmt.
34. Verwenden Sie Handschuhe, wenn Sie erhitzte Lebensmittel aus dem Ofen nehmen.
35. Vorsicht! Beim Öffnen von Behälterdeckeln oder Verpackungsfolie wird Dampf entweichen.
36. Dieses Gerät kann von Kindern ab 8 Jahren und Personen mit eingeschränkten körperlichen, sensorischen oder geistigen Fähigkeiten oder mangelnder Erfahrung und mangelndem Wissen benutzt werden, wenn diese in die sichere Bedienung des Geräts eingewiesen wurden oder beaufsichtigt werden und die damit verbundenen Gefahren verstanden haben. Kinder dürfen nicht mit dem Gerät spielen. Die Reinigung und die Wartung des Geräts darf von über 8 Jahre alten Kindern nur unter Aufsicht durchgeführt werden.
37. Wenn Sie Rauch feststellen, schalten Sie das Gerät aus oder ziehen Sie den Netzstecker und lassen Sie die Ofentür geschlossen, um Flammen zu ersticken.

## INSTALLATIONSANLEITUNG

1. Sorgen Sie dafür, die Verpackungsmaterialien von der Innenseite der Tür zu entfernen.
2. **WARNUNG!**--Untersuchen Sie den Ofen auf etwaige Schäden, wie zum Beispiel eine falsch ausgerichtete oder verbogene Tür, beschädigte Türdichtungen oder Dichtungsflächen, zerbrochene oder lockere Türscharniere oder Einbeulungen und Einkerbungen im Garraum oder auf der Tür. Wenn Sie eine Beschädigung feststellen, betreiben Sie den Ofen nicht, sondern wenden Sie sich an qualifiziertes Kundendienstpersonal.
3. Dieser Mikrowellenofen muss auf eine flache, stabile Oberfläche gestellt werden, die in der Lage ist, das Gewicht des Ofens samt den schwersten Nahrungsmitteln zu tragen, die im Ofen wahrscheinlich zubereitet werden.
4. Stellen Sie den Ofen nicht auf, wo Hitze, Feuchtigkeit oder Nässe erzeugt werden und nicht in der Nähe von brennbaren Materialien.
5. Um einen ordnungsgemäßen Betrieb zu gewährleisten, muss der Ofen über einen ausreichenden Luftstrom verfügen. Sorgen Sie über dem Ofen für einen Freiraum von 20 cm, auf der Rückseite des Ofens für einen Freiraum von 10 cm und auf beiden Seiten des Ofens für einen Freiraum von 5 cm. Achten Sie darauf, keine Öffnungen des Geräts abzudecken oder zu blockieren. Entfernen Sie keine Standfüße.
6. Betreiben Sie den Ofen nur, wenn Glastablett, Walzlager und Welle sich in den richtigen Positionen befinden.
7. Vergewissern Sie sich, dass das Netzkabel nicht beschädigt ist und dass es nicht unter dem Ofen oder über eine heiße oder spitze Fläche verläuft.
8. Die Steckdose muss problemlos zugänglich sein, damit der Stecker im Notfall leicht herausgezogen werden kann.
9. Verwenden Sie den Ofen nicht im Freien.

# ANLEITUNGEN ZUM ERDEN

Dieses Gerät muss geerdet sein. Dieser Ofen ist mit einem Stromkabel ausgestattet, das eine Erdungsleitung und einen Erdungsstift am Stecker aufweist. Es muss in eine Wandsteckdose gesteckt werden, die ordnungsgemäß installiert wurde und geerdet ist. Im Falle eines Kurzschlusses reduziert die Erdung das Risiko eines Stromschlags, indem ein Flucht draht für den elektrischen Strom bereitgestellt wird. Es wird empfohlen, einen separaten Stromkreis bereitzustellen, der lediglich den Ofen mit Strom versorgt. Die Verwendung von Hochspannung ist gefährlich und kann zu einem Brand oder einem anderen Unfall führen, durch den der Ofen beschädigt wird.

**WARNING!**--Ein nicht fachgerechter Anschluss des Erdungssteckers kann das Risiko von elektrischen Schlägen mit sich bringen. Hinweis:

1. Wenn Sie Fragen über die Erdung oder zu den elektrischen Hinweisen haben, wenden Sie sich an einen qualifizierten Elektriker oder an einen Kundendiensttechniker.
2. Weder der Hersteller noch der Händler haften für Schäden am Ofen oder Verletzungen von Personen, die sich aus einer Missachtung der Verfahren zum elektrischen Anschluss ergeben.

Die Drähte im Netzkabel sind im Einklang mit dem folgenden Code farblich gekennzeichnet:

**Grün und Gelb = ERDUNG**

**Blau = NEUTRALLEITER**

**Braun = SPANNUNGSFÜHRENDER DRAHT**

# FUNKINTERFERENZ

Durch den Betrieb des Mikrowellenofens kann der Betrieb Ihres Radio- oder Fernsehgerätes oder ähnlicher Geräte gestört werden. Wenn eine solche Interferenz auftritt, kann sie durch Ergreifen der folgenden Maßnahmen reduziert oder beseitigt werden:

1. Reinigen Sie die Tür und die Dichtungsfläche des Ofens.
2. Richten Sie die Empfangsantenne des Radio- oder Fernsehgeräts neu aus.
3. Stellen Sie den Mikrowellenofen in Bezug auf das Empfangsgerät an einer anderen Stelle auf.
4. Stellen Sie den Mikrowellenofen weiter weg von dem Empfangsgerät auf.
5. Stecken Sie den Netzstecker des Mikrowellenofens in eine andere Steckdose, so dass Mikrowellenofen und Empfangsgerät an verschiedenen Stromkreisen angeschlossen sind.

# BEVOR SIE DEN KUNDENSERVICE RUFEN

Bevor Sie den Kundenservice in Anspruch nehmen, überprüfen Sie alle der folgenden Punkte:

- Vergewissern Sie sich, dass der Netzstecker des Ofens ordnungsgemäß und fest in der Steckdose steckt. Falls dies nicht der Fall ist, ziehen Sie den Stecker aus der Steckdose, warten Sie 10 Sekunden lang und stecken Sie ihn erneut fest in die Steckdose.
- Kontrollieren Sie, ob eine Sicherung durchgebrannt ist oder der Hauptschalter ausgeschaltet wurde. Falls Sicherungen und Hauptschalter ordnungsgemäß zu funktionieren scheinen, testen Sie die Steckdose mit einem anderen elektrischen Gerät.
- Vergewissern Sie sich, dass das Bedienfeld korrekt programmiert wurde und dass der Timer eingestellt ist.
- Vergewissern Sie sich, dass die Tür fest geschlossen wurde und die Türverriegelung eingerastet ist. Wenn die Tür nicht richtig geschlossen ist, kann die Mikrowellenenergie nicht in den Innenraum strömen.

WIRD DIE BETRIEBSSTÖRUNG DURCH KEINE DER OBEN ANGEFÜHRTEN MASSNAHMEN BEHOBEN, WENDEN SIE SICH AN EINEN QUALIFIZIERTEN TECHNIKER. VERSUCHEN SIE NICHT, DEN OFEN SELBST IN ORDNUNG ZU BRINGEN ODER ZU REPARIEREN.

## GARTECHNIKEN

1. Ordnen Sie die Lebensmittel sorgfältig an. Legen Sie die dicksten Stellen der Lebensmittel an den Tellerrand.
2. Achten Sie auf die Garzeit. Kochen Sie die Lebensmittel für die kürzeste angegebene Zeit und fügen Sie gegebenenfalls weitere Zeit hinzu. Zu stark überkochte Lebensmittel können rauchen oder sich entzünden.
3. Decken Sie die Lebensmittel beim Kochen ab. Die Abdeckungen verhindern ein Verspritzen der Lebensmittel und tragen dazu bei, dass die Lebensmittel gleichmäßig gegart werden.
4. Wenden Sie Lebensmittel wie Hühnchen und Hamburger einmal, um ihre Garzeit in der Mikrowelle zu beschleunigen. Großes Gargut, wie zum Beispiel Braten, muss mindestens einmal gewendet werden.
5. Ordnen Sie Lebensmittel wie Frikadellen nach der Hälfte der Garzeit neu von oben nach unten und von der Mitte des Tellers nach außen um.

# LEITFADEN FÜR KOCHGERÄTE

1. Metall ist für Mikrowellen undurchlässig. Verwenden Sie ausschließlich für Mikrowellenöfen geeignete Utensilien. Metallische Behälter für Speisen und Getränke sind beim Garen in der Mikrowelle nicht erlaubt. Diese Anforderung gilt nicht, wenn der Hersteller Größe und Form von Metallbehältern angibt, die für das Kochen in der Mikrowelle geeignet sind.
2. Mikrowellen können kein Metall durchdringen, deshalb sollten keine Metallkochgeräte und keine Schüsseln mit Metallverkleidung benutzt werden.
3. Verwenden Sie beim Kochen mit Mikrowellen keine Produkte aus recyceltem Papier, weil diese kleine Metallfragmente enthalten können, die Funken und/oder Feuer verursachen können.
4. Runde / ovale Schüsseln sind quadratischen / rechteckigen Behältern vorzuziehen, da Lebensmittel in den Ecken zum Verkochen neigen.
5. Um ein Verkochen in den exponierten Bereichen zu verhindern, können Alufolienstreifen verwendet werden. Achten Sie aber darauf, nicht zu viel Alufolie zu verwenden und halten Sie einen Abstand von 2,54 cm zwischen Folie und Garraum ein.  
Die nachstehende Liste kann bei der Auswahl der richtigen Kochgeräte als grober Leitfaden dienen.

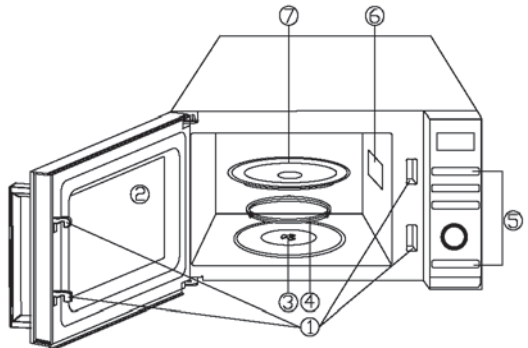
Kochgeschirr	Garen mit der Mikrowelle
Hitzebeständiges Glas	Ja
Nicht hitzebeständiges Glas	Nein
Hitzebeständige Keramik	Ja
Mikrowellenbeständige Kunststoffschüssel	Ja
Küchenpapier	Ja
Metalltablett	Nein
Metallgestell	Nein
Aluminiumfolie und Folienbehälter	Nein

# SPEZIFIKATIONEN

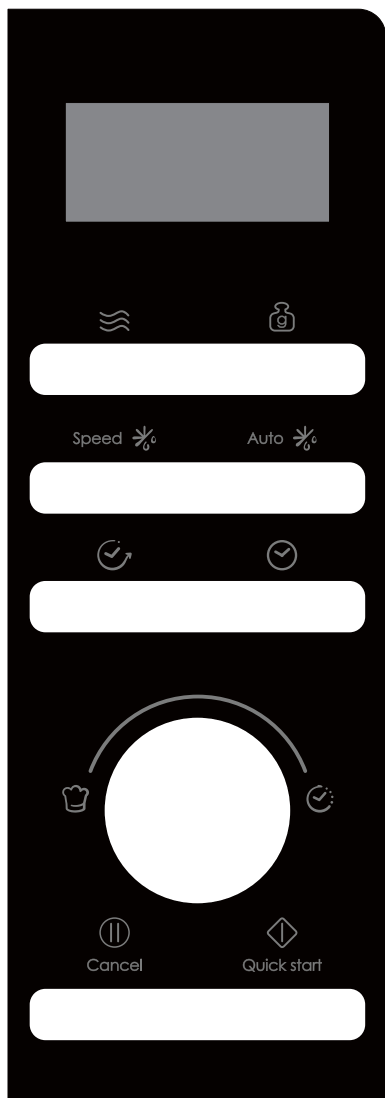
Stromverbrauch	230-240V/50Hz, 1200W (Mikrowelle)
Ausgang	700W
Betriebsfrequenz	2450MHz
Außenabmessungen	262mm(H)×452mm(B)×346mm(T)
Abmessungen des Garraums	198mm(H)×315mm(B)×297mm(T)
Fassungsvermögen des Ofens	Kompakt 20Liter
Nettogewicht	Ca.10,8 kg

# PRODUKTDIAGRAMM

1. Tür-Sicherheitsverriegelung
2. Ofenfenster
3. Welle
4. Walzring
5. Bedienfeld
6. Wellenleiter  
(Glimmerplatte, die den Wellenleiter abdeckt, nicht herausnehmen)
7. Glstablett



# BEDIENFELD



- **ANZEIGE**

Hier werden Kochzeit, Energiestufe, Anzeigen und die Uhrzeit angezeigt.

- **LEISTUNG** 

Durch Drücken der Taste können Sie die Energiestufe auswählen.

- **GEWICHTSANPASSUNG** 

Drücken Sie diese Taste, um das Gewicht der Speisen oder Portionen einzustellen.

- **SCHNELL AUFTAUEN** Speed 

Drücken Sie diese Taste, um Speisen zeitabhängig aufzutauen.

- **AUTOMATISCHES AUFTAUEN**  
Auto 

Drücken Sie diese Taste, um Lebensmittel gewichtsabhängig aufzutauen.

- **VOREINSTELLUNG** 

Damit können Sie den Ofen auf einen späteren Startzeitpunkt einstellen.

- **UHR** 

Drücken, um die Uhrzeit einzustellen.

- **MENÜ/ZEIT**   (Wählrad)

Drehen Sie, um die Zeit einzustellen und aus den automatischen Kochmenüs auszuwählen.



- **PAUSE/BEENDEN** Cancel

Drücken Sie einmal, um den Garvorgang vorübergehend zu stoppen, oder zweimal, um den Garvorgang ganz abzubrechen.




- **START/SCHNELLSTART** Quick start

Drücken Sie diese Taste, um Gar- und Auftauprogramme zu starten.

Drücken Sie mehrmals, um die Garzeit einzustellen und sofort auf voller Leistungsstufe zu garen.



# BEDIENUNGSANLEITUNG

- Wenn der Ofen zum ersten Mal eingesteckt wird, ertönt ein Piepton und im Display wird  und "1:01" angezeigt.
- Während des Einstellvorgangs kehrt der Ofen nach ca. 30 Sekunden in den Standby-Modus zurück.
- Wenn Sie während des Garvorgangs die Taste PAUSE/BEENDEN einmal drücken, wird das Programm angehalten. Drücken Sie die Taste START/SCHNELLSTART, um fortzufahren. Wenn Sie jedoch zweimal die Taste PAUSE/BEENDEN drücken, wird das Programm abgebrochen.
- Nach Ende des Garvorgangs zeigt das Display „End“ an und alle zwei Minuten ertönt ein Signalton, bis der Benutzer eine beliebige Taste drückt oder die Tür öffnet.

## UHR EINSTELLEN

---

Bei der Uhr handelt es sich um eine 12-Stunden und 24-Stunden-Uhr. Sie können wählen, ob Sie die Uhrzeit in 12 oder 24 Stunden einstellen möchten, indem Sie die UHR-Taste im Standby-Modus drücken.

1. Drücken Sie im Standby-Modus wiederholt die UHR-Taste, um die 12- oder 24-Stunden-Uhr auszuwählen.
2. Drehen Sie das Wählrad MENÜ/ZEIT, bis die richtige Stunde angezeigt wird.
3. Drücken Sie die UHR-Taste einmal.
4. Drehen Sie das Wählrad MENÜ/ZEIT, bis die richtige Minute angezeigt wird.
5. Drücken Sie zur Bestätigung die Taste mit der UHR.

**HINWEIS:** Während des Garens können Sie die aktuelle Uhrzeit durch Drücken der UHR-Taste anzeigen lassen.

## GAREN MIT DER MIKROWELLE

---

1. Drücken Sie im Standby-Modus wiederholt die Leistungstaste, um die Energieleistung auszuwählen.
2. Drehen Sie das Wählrad MENÜ/ZEIT, um die Garzeit einzustellen. Die längste Garzeit beträgt 95 Minuten.
3. Drücken Sie die Taste START/SCHNELLSTART zur Bestätigung.

## Wählen Sie die Energieleistung durch Drücken der Leistungstaste:

Drücken Sie die Leistungstaste.	Leistung (Display)	Drücken Sie die Leistungstaste.	Leistung (Display)
Einmal	100% (100)	7-mal:	40% (40)
Zweimal	90% (90)	8-mal:	30% (30)
3-mal:	80% (80)	9-mal:	20% (20)
4-mal:	70% (70)	10-mal:	10% (10)
5-mal:	60% (60)	11-mal:	00% (00)
6-mal:	50% (50)		

**HINWEIS:** Während des Garens können Sie die aktuelle Leistungsstufe durch Drücken der Leistungstaste überprüfen.

## EXPRESS-GAREN

---

Mit dieser Funktion können Sie den Ofen so programmieren, dass er Lebensmittel mit 100% Leistung erhitzt. Drücken Sie im Standby-Modus bei geschlossener Ofentür wiederholt die Taste START/SCHNELLSTART, um die Garzeit einzustellen (jedes Drücken erhöht die Zeit um 30 Sekunden, bis zu 10 Minuten), die Mikrowelle startet sofort mit voller Leistung.

## AUTOMATISCHES AUFTAUEN

---

Die Auftauzeit und die Leistungsstufe werden automatisch eingestellt, sobald das Lebensmittengewicht eingegeben wurde. Das Gewicht der auftaubaren Tiefkühlkost reicht von 100 g bis 1800 g.

1. Drücken Sie im Standby-Modus die Taste AUTOMATISCHES AUFTAUEN einmal.
2. Drücken Sie wiederholt die Taste GEWICHTSANPASSUNG, um das Lebensmittengewicht auszuwählen.
3. Drücken Sie die Taste START/SCHNELLSTART zur Bestätigung.

**HINWEIS:** Während des Abtauens macht das System eine Pause und erinnert den Benutzer mit einem Signalton daran, die Lebensmittel zu wenden. Dann die Taste START/SCHNELLSTART drücken, um den Abtauvorgang fortzusetzen.

## SCHNELL AUFTAUEN

---

1. Drücken Sie im Standby-Modus die Taste für SCHNELL AUFTAUEN einmal.
2. Drehen Sie das Wählrad MENÜ/ZEIT, um die Auftauzeit einzustellen. Die längste Garzeit beträgt 95 Minuten.
3. Drücken Sie die Taste START/SCHNELLSTART zur Bestätigung.

**HINWEIS:** Während des Abtauens macht das System eine Pause und erinnert den Benutzer mit einem Signalton daran, die Lebensmittel zu wenden. Dann die Taste START/SCHNELLSTART drücken, um den Abtauvorgang fortzusetzen.

## MEHRSTUFIGES GAREN

---

Ihr Ofen kann auf bis zu zwei automatische Garabläufe programmiert werden.  
Nehmen wir an, Sie wollen das folgende Garprogramm einstellen:

Garen mit der Mikrowelle



Garen in der Mikrowelle (mit geringerer Leistungsstufe)

1. Geben Sie das erste Mikrowellen-Garprogramm ein. Drücken Sie nicht die Taste START/SCHNELLSTART.
2. Geben Sie das zweite Mikrowellen-Garprogramm ein.
3. Drücken Sie die Taste START/SCHNELLSTART zur Bestätigung.

**HINWEIS:** Die Menüs Express-Garen , Automatisches Auftauen , Schnell auftauen und Automatisches Kochen können beim mehrstufigen Kochen nicht eingestellt werden.

## SELBSTREINIGUNG

---

Stellen Sie eine Schüssel mit 300 g Wasser in den Ofen und schließen Sie die Tür.

1. Drehen Sie im Standby-Modus das Wählrad MENÜ/ZEIT einmal gegen den Uhrzeigersinn, und drehen Sie es dann so lange, bis das Display "CLE" und "AUTO" anzeigt.
2. Drücken Sie die Taste für die GEWICHTSANPASSUNG einmal.
3. Drücken Sie die Taste START/SCHNELLSTART zum Starten.

**HINWEIS:** Die Reinigungszeit beträgt 10 Minuten.

## VOREINSTELLUNG

---

Mit dieser Funktion kann der Ofen zu einem späteren Zeitpunkt gestartet werden.

1. Geben Sie im Standby-Betrieb ein Garprogramm ein (außer „Expressgaren“, „Automatisches Auftauen“ und „Schnell Auftauen“).
2. Drücken Sie die Taste VOREINSTELLUNG einmal.
3. Drehen Sie das Wählrad MENÜ/ZEIT, um die Stundenzahl einzustellen.
4. Drücken Sie die Taste VOREINSTELLUNG einmal.
5. Drehen Sie das Wählrad MENÜ/ZEIT, um die Minutenzahl einzustellen.
6. Drücken Sie einmal die Taste START/SCHNELLSTART.

**HINWEIS:** Sie können die Countdown-Zeit überprüfen, indem Sie die Taste VOREINSTELLUNG drücken. Wenn die Taste PAUSE/BEENDEN gedrückt wird, während die Zeit im Display angezeigt wird, kann die Funktion abgebrochen werden.

## KINDERSICHERUNG

---

Die Kindersicherung verhindert den unbeaufsichtigten Betrieb durch Kinder.

So aktivieren Sie die Kindersicherung: Wenn im Standby-Modus innerhalb einer Minute keine Bedienung erfolgt, geht der Ofen automatisch in den Kindersicherungsmodus über und die Kontrollleuchte für die Kindersicherung leuchtet auf. Bei eingeschalteter Kindersicherung sind sämtliche Tasten deaktiviert.

Zum Abbrechen: Ofentür im Kindersicherungsmodus einmal öffnen oder schließen, um das Programm abzubrechen, und die Kontrollleuchte für Kindersicherung erlischt.

## AUTOMATISCHES GAREN

Für folgende Lebensmittel bzw. für den folgenden Kochmodus müssen Zeit und Kochenergie nicht programmiert werden. Es reicht, die Art des Lebensmittels anzugeben, das Sie kochen wollen sowie das Gewicht oder die Portionen dieses Lebensmittels.

1. Drehen Sie im Standby-Modus das Wählrad MENÜ/ZEIT einmal gegen den Uhrzeigersinn, auf dem Display wird „A-01“ angezeigt. Dann drehen Sie den Regler weiter, um andere Lebensmittelcodes auszuwählen.
2. Drücken Sie wiederholt die Taste GEWICHTSANPASSUNG, um das Lebensmittelgewicht oder die Portionen auszuwählen.
3. Drücken Sie die Taste START/SCHNELLSTART zur Bestätigung.

### Menüs für das automatische Garen

Code	Lebensmittel	Gewicht/Menge	Anmerkung
A-01	Milch/Kaffee/Tee (200 ml/Tasse, 1-3 Tassen)	<b>1 Tasse</b>	Das Display zeigt die Anzahl der Portionen anstelle des Lebensmittelgewichts an
		<b>2 Tassen</b>	
		<b>3 Tassen</b>	
A-02	Pizza	150g	
		300g	
		450g	
A-03	Kartoffeln	100g	
		200g	
		300g	
A-04	Automatisches Aufwärmen	200g	
		300g	
		400g	
		500g	
		600g	
		700g	
A-05	Fisch	200g	
		300g	
		400g	
		500g	
		600g	
A-06	Popcorn	100g	
A-07	Suppe	200g	
		400g	
		600g	
A-08	Porridge	50g	
		100g	
		150g	

A-09	Frisches Gemüse	200g	
		300g	
		400g	
		500g	
		600g	
A-10	Gefrorenes Gemüse	200g	
		300g	
		400g	
		500g	
		600g	
A-11	Reis	150g	
		300g	
		450g	
		600g	
A-12	Spaghetti/Pasta	100g	
		200g	
		300g	
A-13	Tiefkühlgericht	250g	
		500g	
A-14	Autoclean/(angezeigt durch den vollen Wassertropfen im Ofen)		

Das Ergebnis des automatischen Garens hängt von Faktoren wie der Form und Größe der Lebensmittel, Ihren persönlichen Vorlieben hinsichtlich des Grads der Garung bestimmter Lebensmittel und sogar davon ab, wie gut Sie die Lebensmittel im Ofen platzieren. Wenn Sie mit dem Ergebnis nicht ganz zufrieden sind, passen Sie die Garzeit entsprechend an.

# REINIGEN UND PFLEGEN

1. Schalten Sie den Ofen aus und ziehen Sie den Netzstecker aus der Steckdose, bevor Sie mit der Reinigung beginnen.
2. Halten Sie das Innere des Ofens immer sauber. Verspritztes Gargut oder verschüttete Flüssigkeiten, die an den Ofenwänden kleben, können Sie mit einem feuchten Tuch abwischen. Falls der Ofen sehr schmutzig wird, können Sie milde Reinigungsmittel verwenden. Vermeiden Sie die Verwendung von Spray oder anderen aggressiven Reinigungsmitteln. Sie können die Türoberfläche verschmutzen, stumpf werden lassen oder Streifen bilden.
3. Die Außenfläche des Ofens sollte mit einem feuchten Tuch gereinigt werden. Um Schäden an den Betriebsteilen im Innern des Ofens zu verhindern, sollte kein Wasser in die Lüftungsschlitze eindringen.
4. Wischen Sie Tür und Fenster auf beiden Seiten, die Türdichtungen und die angrenzenden Teile häufig mit einem feuchten Tuch um Spritzer oder Flecken zu beseitigen. Verwenden Sie kein Scheuermittel.
5. Keinen Dampfreiniger verwenden.
6. Lassen Sie das Bedienfeld nicht nass werden. Reinigen Sie es mit einem weichen, feuchten Tuch. Lassen Sie die Tür offen, wenn Sie das Bedienfeld reinigen, um zu verhindern, dass Sie den Ofen versehentlich einschalten.
7. Wenn sich im Innern oder rund um die Außenseite der Ofentür Dampf sammelt, wischen Sie ihn mit einem feuchten Tuch ab. Dies kann vorkommen, wenn der Mikrowellenofen bei sehr feuchten Bedingungen betrieben wird. Es handelt sich um ein normales Phänomen.
8. Gelegentlich muss das Glastablett zum reinigen herausgenommen werden. Waschen Sie das Tablett in warmen Spülwasser oder in einer Spülmaschine.
9. Der Walzring und der Ofenboden sind regelmäßig zu reinigen, um eine übermäßige Geräuschentwicklung zu verhindern. Wischen Sie einfach die Bodenfläche des Ofens mit einem milden Reinigungsmittel. Der Walzring kann in mildem Spülwasser oder im Geschirrspüler gereinigt werden. Wenn Sie den Walzring aus dem Boden des Garraums herausnehmen, achten Sie darauf, ihn später wieder richtig einzusetzen.
10. Gerüche können Sie aus dem Ofen beseitigen, indem Sie eine Tasse Wasser mit dem Saft und der Schale einer Zitrone in einer tiefen mikrowellengeeigneten Schüssel in das Gerät stellen. Fünf Minuten in der Mikrowelle erhitzen. Wischen Sie den Ofen anschließend mit einem feuchten Tuch gründlich aus.
11. Wenn die Glühbirne durchbrennt, wenden Sie sich für den Austausch an den Kundendienst.
12. Der Ofen sollte regelmäßig gereinigt und sämtliche Lebensmittelreste entfernt werden. Wird der Ofen nicht in einem sauberen Zustand gehalten, kann dies zur Verschlechterung der Oberfläche führen, was sich wiederum nachteilig auf die Lebensdauer des Geräts auswirken und möglicherweise zu einer gefährlichen Situation führen könnte.
13. Entsorgen Sie dieses Gerät nicht im Haushaltsmüll, es sollte in einem besonderen Entsorgungszentrum entsorgt werden, das von der Gemeinde bereitgestellt wird.

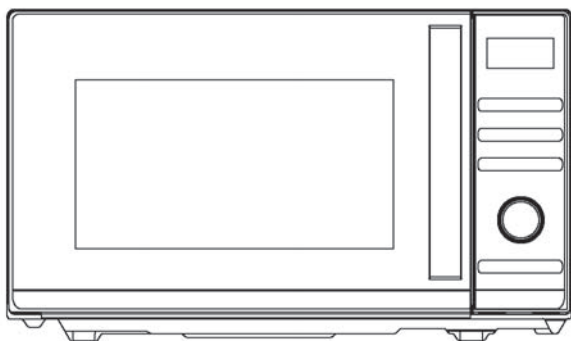


Dieses Elektrohaushaltsgerät ist in Einklang mit der EU-Richtlinie 2012/19/EU über Elektro- und Elektronik-Altgeräte (WEEE, Waste Electrical and Electronic Equipment 2013) gekennzeichnet. Elektro- und Elektronik-Altgeräte enthalten umweltschädigende Substanzen (die ggf. eine negative Auswirkung auf die Umwelt haben) sowie (wiederverwendbare) Grundelemente. Daher ist es wichtig, Elektro- und Elektronik-Altgeräte spezifisch zu entsorgen, um alle schädlichen Substanzen zu entfernen und wiederverwendbare Teile zu recyceln. Verbraucher leisten einen wichtigen Beitrag, um zu gewährleisten, dass Elektro- und Elektronik-Altgeräte nicht zu einem Umweltproblem werden. Halten Sie sich daher bitte an die folgenden Grundregeln:

- Elektro- und Elektronik-Altgeräte dürfen nicht mit dem normalen Hausmüll entsorgt werden.
- Elektro- und Elektronik-Altgeräte müssen bei zugelassenen Sammelstellen abgegeben werden, die von der Stadtverwaltung oder anderen zuständigen Stellen verwaltet werden.

In vielen Ländern wird für die Entsorgung großer Elektro- und Elektronik-Altgeräte ein Abholservice angeboten. Beim Kauf eines neuen Geräts wird das alte vom Händler zurückgenommen, der es kostenfrei entsorgt, sofern das neue Gerät von einem ähnlichen Typ ist und die gleiche Funktion erfüllt wie das Altgerät.

# Instrucțiuni pentru cuptorul cu microunde



Model: CMWA20TNDB

Citiți cu atenție aceste instrucțiuni înainte de a instala și utiliza cuptorul.

<b>Haier Europe</b> <small>CANDY Haier</small>	<b>PT</b> ☎ 707 200 188 210 010 773	<b>IT</b> ☎ 02 400 48 200	<b>ES</b> ☎ 902 100 150 943 914 150	<b>DE</b> ☎ 0800 500 48 48
<b>BE</b> ☎ 02 752 94 10	<b>NL</b> ☎ 33 422 4000	<b>AT</b> ☎ 0820 220 224	<b>GR</b> ☎ 801 11 50 50 50	<b>CH</b> ☎ 0848 780 780

70017948



# CUPRINS

CUPRINS .....	1
PRECAUȚIE PENTRU A EVITA POSIBILE EXPUNERE LA ENERGIE EXCESIVĂ EMISĂ DE MICROUNDE .....	2
INSTRUCȚIUNE IMPORTANTĂ DE SIGURANȚĂ .....	2
GHID DE INSTALARE .....	5
INSTRUCȚIUNI DE ÎMPĂMÂNTARE.....	5
INTERFERENȚE RADIO .....	6
ÎNAINTE DE SOLICITA LUCRĂRI DE SERVICE.....	6
TEHNICI DE GĂTIT .....	7
GHID DE USTENSILE DE GĂTIT .....	7
SPECIFICAȚIE .....	8
ILUSTRĂȚIA PRODUSULUI.....	8
PANOU DE CONTROL.....	9
INSTRUCȚIUNE DE UTILIZARE .....	10
Setarea ceasului .....	10
Gătirea la microunde.....	10
Gătit expres .....	11
Dezghețare automată .....	11
Dezghețare rapidă .....	11
Gătit în mai multe etape .....	11
Curățare automată .....	12
Presetat .....	12
Blocare pentru copii .....	12
Gătit automat .....	13
CURĂȚAREA ȘI ÎNGRIJIREA.....	15

# PRECAUȚIE PENTRU A EVITA POSIBILE EXPUNERE LA ENERGIE EXCESIVĂ EMISĂ DE MICROUNDRE

1. Nu încercați să utilizați acest cuptor cu ușa deschisă, deoarece funcționarea cu ușa deschisă poate duce la expunerea dăunătoare la energia emisă de microundre. Este important să nu eliminați sau să modificați dispozitivele de blocare.
2. Nu așezați niciun obiect între parte frontală a cuptorului și ușa și nu lăsați murdăria sau reziduurile de curățare să se acumuleze pe suprafețele de etanșare.
3. Nu utilizați cuptorul dacă este deteriorat. Este foarte important ca ușa cuptorului să se închidă corect și să nu fie deteriorată
  - a) Ușă (inclusiv orice îndoitură),
  - b) Balamale și încuietori (rupte sau slăbite),
  - c) Garnituri uși și suprafețe de etanșare.
4. Este interzisă reglarea sau repararea cuptorului de către oricine altcineva în afară de personalul calificat pentru lucrări de service.

# INSTRUCȚIUNE IMPORTANTĂ DE SIGURANȚĂ

Când utilizați un aparat electric, trebuie respectate măsurile de siguranță de bază, inclusiv următoarele:

**AVERTIZARE!** Pentru a reduce riscul producerii arsurilor, electrocutarea, incendiu, vătămarea persoanelor sau expunerea la energie excesivă emisă de microundre:

1. Utilizați acest aparat numai în scopul prevăzut, așa cum este descris în acest manual. Nu utilizați substanțe chimice corozive sau vapori în interiorul acestui aparat. Acest tip de cuptor este special conceput pentru a încălzi, găti sau usca alimente. Nu este conceput pentru uz industrial sau de laborator.
2. Nu utilizați cuptorul când este gol.
3. Nu utilizați acest aparat dacă are cablul sau ștecherul deteriorat, dacă nu funcționează corect sau dacă a fost deteriorat sau scăpat pe jos. În cazul în care cablul de alimentare este deteriorat, acesta trebuie înlocuit de către producător, agentul său de service sau persoane cu calificări similare pentru a evita orice pericol.
4. **AVERTIZARE!** Permiteți-le copiilor să folosească cuptorul fără supraveghere numai atunci când au fost date instrucțiuni adecvate, astfel încât copilul să poată

utiliza cuptorul în condiții de siguranță și să înțeleagă pericolele unei utilizări necorespunzătoare.

5. Pentru a reduce riscul de incendiu în cavitatea cuptorului:

- Când încălziți alimente în recipient de plastic sau hârtie, supravegheați cuptorul întrucât există posibilitatea aprinderii.
- Scoateți clemele din sârmă cu care se leagă pungile de hârtie sau de plastic înainte de a introduce punga în cuptor.
- Dacă se observă fum, opriți sau deconectați aparatul și țineți ușa închisă pentru a înăbuși orice flăcări.
- Nu folosiți cavitatea în scopuri de depozitare. Nu lăsați produse din hârtie, ustensile de gătit sau alimente în cavitate atunci când nu utilizați cuptorul.
- Cuptorul cu microunde este destinat încălzirii alimentelor și băuturilor. Uscarea alimentelor sau a îmbrăcămintei și încălzirea compreselor termice, papucilor, bureților, cârpei umede și a altor obiecte asemănătoare pot duce la risc de rănire, aprindere sau incendiu.

6. **AVERTIZARE!** Lichidul sau alte alimente nu trebuie încălzite în recipiente sigilate, deoarece pot exploda.

7. Încălzirea băuturii la cuptorul cu microunde poate duce la fierbere întârziată în clocote, de aceea trebuie avut grijă când manipulați recipientul.

8. Nu prăjiți alimente în cuptor. Uleiul fierbinte poate deteriora piesele și ustensilele cuptorului și poate duce chiar la arsuri pe piele.

9. Ouăle în coajă și ouăle întregi fierte tare nu trebuie încălzite în cuptoarele cu microunde, deoarece pot exploda chiar și după ce încălzirea la cuptorul cu microunde s-a încheiat.

10. Perforați alimentele cu coajă densă, cum ar fi cartofi, dovlecei întregi, mere și castane înainte de a le găti.

11. Conținutul biberonelor și borcanelor cu mâncare pentru copii trebuie amestecat sau agitat, iar temperatura trebuie verificată înainte de servire pentru a evita arsurile.

12. Ustensilele de gătit pot deveni fierbinți din cauza căldurii transferate de la alimentele încălzite. Pot fi necesare suporturi pentru a manipula ustensilele.

13. Verificați ustensilele pentru a vă asigura că sunt adecvate pentru utilizare în cuptorul cu microunde.

14. **AVERTIZARE!** Este periculos ca orice altă persoană în afară de o persoană instruită, să efectueze orice operațiune de service sau reparație care implică îndepărtarea oricărui capac care oferă protecție împotriva expunerii la energia emisă de microunde.

15. Acest produs este un echipament ISM Grupa 2 Clasa B. Grupul 2 conține toate echipamentele ISM (Industriale, Științifice și Medicale) în care energia de radiofrecvență este generată și/sau utilizată în mod intenționat sub formă de radiații electromagnetice pentru tratarea materialelor și echipamente de eroziune prin scânteie. Echipamentele de clasa B sunt echipamente adecvate pentru utilizare în

locuințe și în incinte conectate direct la o rețea de alimentare cu energie de joasă tensiune care alimentează clădirile utilizate în scop domestic.

16. Aparatul nu este destinat utilizării de către persoane (inclusiv copii) cu abilități fizice, senzoriale sau mentale reduse sau lipsite de experiență și cunoștințe, cu excepția cazului în care sunt supravegheate, sau au fost instruite cu privire la utilizarea în siguranță a aparatului, de către o persoană responsabilă cu siguranța lor.
17. Copiii trebuie supravegheați pentru a vă asigura că nu se joacă cu aparatul.
18. Cuptorul cu microunde este utilizat numai autonom.
19. **AVERTIZARE!** Nu instalați cuptorul peste o plită de gătit sau peste un alt aparat care produce căldură; nerespectarea acestei instrucțiuni poate duce la deteriorarea aparatului și pierderea garanției.
20. Cuptorul cu microunde nu trebuie așezat într-un dulap.
21. **AVERTIZARE!** Aparatul și piesele sale accesibile se încing în timpul utilizării.
22. **AVERTIZARE!** Părțile accesibile se pot încinge în timpul utilizării. Copiii mici trebuie ținuți la distanță.
23. Aparatul se încinge în timpul utilizării. Trebuie avut grijă să evitați atingerea elementelor de încălzire din interiorul cuptorului, plitelor de gătit și cuptoarelor.
24. Suprafețele accesibile pot ajunge la o temperatură ridicată atunci când aparatul funcționează.
25. Aparatul trebuie așezat pe un perete.
26. Aparatul nu este destinat utilizării de către copii sau persoane cu capacități fizice, senzoriale sau mentale reduse sau lipsă de experiență și cunoștințe, cu excepția cazului în care sunt supravegheate sau au fost instruite.
27. **AVERTIZARE!** Dacă ușa sau garniturile ușii sunt deteriorate, cuptorul nu trebuie să fie pus în funcțiune până când nu a fost reparat de o persoană calificată.
28. Aparatele nu sunt destinate operării cu ajutorul unui cronometru extern sau un sistem separat de telecomandă.
29. Cuptorul cu microunde este doar pentru uz casnic și nu pentru uz comercial.
30. Nu scoateți niciodată suportul de separare din spate sau din lateral, deoarece asigură o distanță minimă față de perete pentru circulația aerului.
31. Fixați bine placa rotativă înainte de a muta aparatul pentru a evita deteriorarea sa.
32. **ATENȚIE!** Este periculos ca o altă persoană în afara unui specialist să repare sau să efectueze lucrări de întreținere asupra aparatului deoarece în aceste situații trebuie îndepărtat capacul care asigură protecție împotriva radiațiilor emise de microunde. Acest lucru este valabil și pentru schimbarea cablului de alimentare sau a becului. În aceste cazuri, trimiteți aparatul la centrul nostru de service.
33. Cuptorul cu microunde este destinat numai pentru dezghețarea, gătitul și prepararea la abur a alimentelor.
34. Folosiți mănuși dacă îndepărtați orice aliment încălzit.
35. Atenție! La deschiderea capacelor sau a foliei de împachetat se va degaja abur.

36. Acest aparat poate fi utilizat de către copiii cu vârste de minim 8 ani și de către persoanele cu abilități fizice, senzoriale sau mentale reduse sau cu lipsă de experiență sau cunoștințe, cu condiția să fie supravegheate sau instruite corespunzător privind modul de utilizare a acestui aparat în siguranță și să înțeleagă pericolele implicate. Nu lăsați copiii să se joace cu aparatul. Curățarea și întreținerea de către utilizator nu vor fi efectuate de copii decât dacă aceștia au vârsta de peste 8 ani și sunt supravegheați.
37. Dacă se degajă fum, opriți sau deconectați aparatul și țineți ușa închisă pentru a înăbuși orice flăcări.

## GHID DE INSTALARE

1. Asigurați-vă că toate ambalajele sunt îndepărtate din interiorul ușii.
2. **AVERTIZARE!** Verificați cuptorul pentru orice deteriorări, cum ar fi ușa strâmbă sau îndoită, garniturile ușii și suprafața de etanșare deteriorate, balamalele și zăvoarele ușii rupte sau slăbite și deformări în interiorul cavității sau pe ușă. Dacă există vreo deteriorare, nu utilizați cuptorul și contactați personalul de service calificat.
3. Acest cuptor cu microunde trebuie așezat pe o suprafață plană și stabilă pentru a-și menține greutatea și alimentele cele mai grele care pot fi gătite în cuptor.
4. Nu așezați cuptorul în locuri unde se generează căldură, umezeală sau umiditate ridicată sau lângă materiale combustibile.
5. Pentru o funcționare corectă, cuptorul trebuie să aibă un flux de aer suficient. Lăsați un spațiu de 20 cm deasupra cuptorului, 10 cm în spatele său și 5 cm în lateral. Nu acoperiți și nu blocați orificiile de pe aparat. Nu îndepărtați picioarele.
6. Nu utilizați cuptorul fără tava din sticlă, suportul rolei și arborele în pozițiile corespunzătoare.
7. Asigurați-vă că nu există deteriorări ale cablului de alimentare și că acesta nu trece pe sub cuptor sau pe deasupra oricărei suprafețe fierbinte sau ascuțite.
8. Priza trebuie să fie ușor accesibilă, astfel încât să poată fi deconectată cu ușurință în caz de urgență.
9. Nu folosiți cuptorul în aer liber.

## INSTRUCȚIUNI DE ÎMPĂMÂNTARE

Acest aparat trebuie să fie împământat. Acest cuptor este echipat cu un cablu care are un fir de împământare cu un ștecher de împământare. Trebuie să fie conectat la o priză de perete care este instalată și împământată corespunzător. În cazul unui scurtcircuit electric, împământarea reduce riscul de electrocutare prin furnizarea unui fir de descărcare a curentului electric. Este recomandat să fie prevăzut cu un circuit separat

care să conecteze doar cuptorul. Utilizarea unei tensiuni înalte este periculoasă și poate duce la un incendiu sau alt accident care poate cauza deteriorarea cuptorului.

**AVERTIZARE!** Utilizarea necorespunzătoare a ștecherului de împământare poate duce la un risc de electrocutare.

Notă:

1. Dacă aveți întrebări cu privire la împământare sau la instrucțiunile electrice, consultați un electrician calificat sau o persoană de service.
2. Nici producătorul, nici distribuitorul nu își pot asuma nicio răspundere pentru deteriorarea cuptorului sau vătămările corporale rezultate din nerespectarea procedurilor pentru conexiunea electrică.

Firele din acest cablu principal au următoarele culori, în conformitate cu următorul cod:

**Verde și galben = ÎMPĂMÂNTARE**

**Albastru = NEUTRU**

**Maro = CURENT**

## INTERFERENȚE RADIO

Funcționarea cuptorului cu microunde poate cauza interferențe radioului, televizorului sau echipamentelor similare. Când există interferențe, acestea pot fi reduse sau eliminate luând următoarele măsuri:

1. Curățați ușa și suprafața de etanșare a cuptorului.
2. Reorientați antena de recepție a radioului sau a televiziunii.
3. Mutați cuptorul cu microunde în raport cu receptorul.
4. Îndepărtați cuptorul cu microunde de receptor.
5. Conectați cuptorul cu microunde la o altă priză, astfel încât cuptorul cu microunde și receptorul să fie pe circuite diferite.

## ÎNAINTE DE SOLICITA LUCRĂRI DE SERVICE

Înainte de a solicita lucrări de service, verificați fiecare articol de mai jos:

- Asigurați-vă de conectarea corespunzătoare a cuptorului. Dacă nu este bine conectat, scoateți ștecherul din priză, așteptați 10 secunde și conectați-l corespunzător din nou.
- Verificați dacă s-a ars o siguranță sau s-a declanșat un întrerupător principal. Dacă acestea par să funcționeze corect, testați priza cu un alt aparat.
- Verificați pentru a vă asigura că panoul de control este programat corect și cronometrul este setat.

- Verificați pentru a vă asigura că ușa este bine închisă, cuplând sistemul de blocare a ușii. Dacă ușa nu este închisă corect, energia emisă de microunde nu va funcționa înăuntru cuptorului.

**DACĂ NICIUNA DIN INSTRUCȚIUNILE DE MAI SUS NU REMEDIAZĂ SITUAȚIA, CONTACTAȚI UN TEHNICIAN CALIFICAT. NU ÎNCERCAȚI SĂ REGLAȚI SAU REPARAȚI CUPTORUL PE CONT PROPRIU.**

## TEHNICI DE GĂTIT

1. Aranjați mâncarea cu grijă. Așezați zonele cele mai groase spre exteriorul vasului.
2. Urmăriți timpul de gătit. Gătiți pe perioada cea mai scurtă de timp indicată și suplimentați dacă este necesar. Alimentele prea gătite pot provoca fum sau se pot aprinde.
3. Acoperiți alimentele în timp ce gătiți. Capacele previn stropirea și ajută alimentele să se gătească uniform.
4. Întoarceți alimentele o dată în timpul gătirii la microunde pentru a accelera gătirea unor alimente precum puiul și hamburgerii. Articolele mari, cum ar fi fripturile, trebuie întoarse cel puțin o dată.
5. Rearanjați alimente, cum ar fi chiftelele la jumătatea gătitului, atât de sus în jos, cât și din centrul vasului spre exterior.

## GHID DE USTENSILE DE GĂTIT

1. Microundele nu pot pătrunde în metal. Utilizați numai ustensile care sunt adecvate pentru utilizarea în cuptoarele cu microunde. Recipientele metalice pentru alimente și băuturi nu sunt permise în timpul gătirii la microunde. Această cerință nu se aplică dacă producătorul specifică dimensiunea și forma recipientelor metalice adecvate pentru gătitul cu microunde.
2. Microundele nu pot pătrunde în metal, așa că nu trebuie folosite ustensile metalice sau vase cu ornamente metalice.
3. Nu folosiți produse din hârtie reciclată când gătiți la microunde, deoarece acestea pot conține mici fragmente de metal care pot provoca scânteii și/sau incendii.
4. Sunt recomandate vase rotunde/ovale, mai degrabă decât cele pătrate/alungite, deoarece alimentele din colțuri tind să se gătească prea mult.
5. Se pot folosi benzi înguste de folie de aluminiu pentru a preveni gătirea excesivă a zonelor expuse. Dar aveți grijă să nu folosiți benzi prea late și păstrați o distanță de 1 inch (2,54 cm) între folie și cavitate.

Lista de mai jos este un ghid general pentru a vă ajuta să selectați ustensilele corecte.

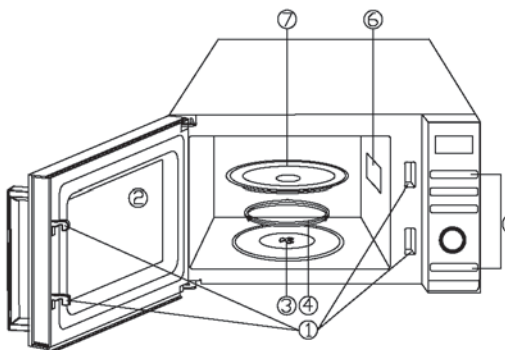
Vase de gătit	Gătirea la microunde
Sticlă termorezistentă	Da
Sticlă nerezistentă la căldură	Nu
Ceramică termorezistentă	Da
Vase din plastic pentru cuptorul cu microunde	Da
Prosoape din hârtie pentru bucătărie	Da
Tavă metalică	Nu
Raft metalic	Nu
Folie de aluminiu și caserole din folie de aluminiu	Nu

## SPECIFICAȚIE

Consumul de energie	230-240V/50HZ, 1200W (cuptor cu microunde)
Ieșire	700W
Frecvența de operare	2450MHz
Dimensiuni exterioare	262 mm (înălțime) x 452 mm (lățime) x 346 mm (ad)
Dimensiuni cavitate cuptor	198 mm (înălțime) x 315 mm (lățime) x 297 mm (ad)
Capacitate cuptor	Compact 20 litri
Greutate netă	Aproximativ 10,8 kg

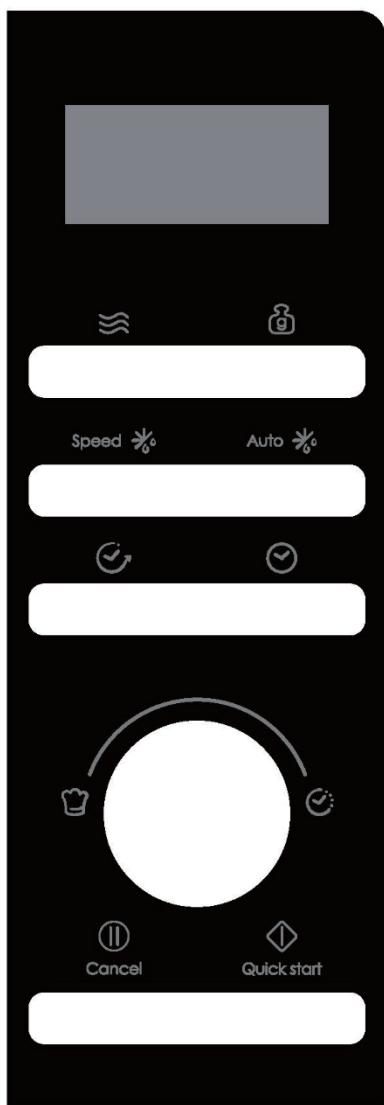
## ILUSTRAȚIA PRODUSULUI

1. Sistem de blocare de siguranță a ușii
2. Fereastra cuptorului
3. Ax
4. Inel rotire
5. Panou de comenzi
6. Ghid de unde  
(Nu îndepărtați placa de mică care acoperă ghidajul de unde)
7. Tavă din sticlă





# PANOU DE CONTROL



## ● AFIŞAJ

Sunt afișate timpul de gătire, puterea, indicatorii și ora.

## ● PUTERE

Apăsați pentru a seta nivelul de putere de gătit la microunde.

## ● REGLARE GREUTATE

Apăsați pentru a seta greutatea alimentelor sau porțiile.

## ● DEZGHEȚARE RAPIDĂ Speed

Apăsați pentru a dezgheța alimentele în funcție de timp.

## ● DEZGHEȚARE AUTOMATĂ Auto

Apăsați pentru a dezgheța alimentele în funcție de greutate.

## ● PRESETARE

Utilizați pentru a seta cuptorul să pornească mai târziu.

## ● CEAS

Apăsați pentru a seta ora ceasului.

## ● MENU/ORĂ (buton rotativ)

Rotiți pentru a seta ora și selectați meniurile de gătit automat.

## ● PAUZĂ/ANULARE Cancel


Apăsați o dată pentru a opri temporar gătitul sau de două ori pentru a anula complet gătitul.

## ● START/PORNIRE RAPIDĂ Quick start

Apăsați pentru a începe programele de gătit și dezghețare.

Pur și simplu apăsați-l de câteva ori pentru a seta timpul de gătire și gătiți imediat la nivelul maxim de putere.

# INSTRUCȚIUNE DE UTILIZARE

- Când cuptorul este conectat pentru prima dată, va emite un semnal sonor, iar pe afișaj va apărea „” și „1:01”.
- În procesul de setare, dacă nu s-a efectuat nicio acțiune timp de aproximativ 30 de secunde, cuptorul va reveni în modul de așteptare.
- În timpul gătirii, dacă apăsați butonul PAUZĂ/ANULARE o dată, programul va fi întrerupt, apoi apăsați butonul START/PORNIRE RAPIDĂ pentru a relua programul. Dacă însă apăsați butonul PAUZĂ/ANULARE de două ori, programul va fi anulat.
- La finalizarea gătitului, afișajul va afișa „End” (Final) și va emite un semnal sonor la fiecare două minute până când utilizatorul apasă orice buton sau deschide ușa.

## SETAREA CEASULUI

Acesta este un ceas de 12 sau 24 de ore. Puteți alege să setați ora ceasului în 12 sau 24 de ore apăsând butonul CEAS în modul de așteptare.

1. În modul de așteptare, apăsați butonul CEAS în mod repetat pentru a selecta ceasul de 12 sau 24 de ore.
2. Rotiți butonul MENIU/ORĂ până când se afișează ora corectă.
3. Apăsați butonul CEAS o dată.
4. Rotiți butonul MENIU/ORĂ până când este afișat minutul corect.
5. Apăsați butonul CEAS pentru a confirma.

**NOTĂ:** În timpul gătirii, puteți verifica ora curentă prin apăsarea butonului CEAS.

## GĂTIREA LA MICROUND

1. În modul de așteptare, apăsați butonul PUTERE în mod repetat pentru a selecta nivelul de putere.
2. Rotiți butonul MENIU/ORĂ pentru a seta timpul de gătire. Cel mai lung timp este de 95 de minute.
3. Apăsați butonul START/PORNIRE RAPIDĂ pentru a confirma.

**Selectați nivelul de putere apăsând butonul PUTERE:**

Apăsați butonul PUTERE	Putere (afișaj)	Apăsați butonul PUTERE	Putere (afișaj)
O singură dată	100% (100)	de 7 ori	40% (40)
De două ori	90% (90)	de 8 ori	30% (30)
de 3 ori	80% (80)	de 9 ori	20% (20)
de 4 ori	70% (70)	10 ori	10% (10)
de 5 ori	60% (60)	de 11 ori	00% (00)
de 6 ori	50% (50)		

**NOTĂ:** În timpul gătirii, puteți verifica nivelul curent de putere de gătit apăsând butonul PUTERE.

## GĂTIT EXPRES

---

Folosiți această funcție pentru a programa cuptorul să gătească alimente cu microunde la o putere convenabilă 100% . În modul de așteptare și cu ușa cuptorului închisă, apăsați butonul START/PORNIRE RAPIDĂ în mod repetat pentru a seta timpul de gătire (la fiecare apăsare crește cu 30 de secunde, până la 10 minute), cuptorul pornește imediat la putere maximă.

## DEZGHEȚARE AUTOMATĂ

---

Timpul de dezghețare și nivelul de putere sunt setate automat odată ce se programează dezghețarea în funcție de greutatea alimentelor. Greutatea alimentelor congelate variază de la 100 g la 1800 g.

1. În modul de așteptare, apăsați butonul DEZGHEȚARE AUTOMATĂ o dată.
2. Apăsați butonul REGLARE GREUTATE în mod repetat pentru a selecta greutatea alimentelor.
3. Apăsați butonul START/PORNIRE RAPIDĂ pentru a confirma.

**NOTĂ:** În timpul dezghețării, sistemul se va opri și va emite o alarmă sonoră pentru a-i reaminti utilizatorului să întoarcă alimentele; apăsați apoi butonul START/PORNIRE RAPIDĂ pentru a relua dezghețarea.

## DEZGHEȚARE RAPIDĂ

---

1. În modul de așteptare, apăsați butonul DEZGHEȚARE RAPIDĂ o dată.
2. Rotiți butonul MENU/ORĂ pentru a seta timpul de dezghețare. Cel mai lung timp este de 95 de minute.
3. Apăsați butonul START/PORNIRE RAPIDĂ pentru a confirma.

**NOTĂ:** În timpul dezghețării, sistemul se va opri și va emite o alarmă sonoră pentru a-i reaminti utilizatorului să întoarcă alimentele; apăsați apoi butonul START/PORNIRE RAPIDĂ pentru a relua dezghețarea.

## GĂTIT ÎN MAI MULTE ETAPE

---

Cuptorul dumneavoastră poate fi programat pentru până la 2 secvențe automate de gătit. Să presupunem că doriți să setați următorul program de gătit:

Gătitul la microunde



Gătirea la microunde (cu nivel de putere mai scăzut)

1. Introduceți primul program de gătit la microunde. Nu apăsați butonul START/PORNIRE RAPIDĂ.
2. Introduceți al doilea program de gătit cu microunde.
3. Apăsați butonul START/PORNIRE RAPIDĂ pentru a confirma.

**NOTĂ:** Meniurile de gătit rapid, dezghețare automată, dezghețare rapidă și gătire automată nu pot fi setate în gătitul în mai multe etape.

## **CURĂȚARE AUTOMATĂ**

---

Puneți un vas cu 300 g apa în cuptor și închideți ușa.

1. În modul de așteptare, rotiți selectorul MENUU/ORĂ în sens invers acelor de ceasornic o dată, apoi rotiți butonul până când afișajul arată „CLE” și „AUTO”.
2. Apăsați butonul REGLARE GREUTATE o dată.
3. Apăsați butonul START/PORNIRE RAPIDĂ pentru a începe.

**NOTĂ:** Timpul de curățare este de 10 minute.

## **PRESETAT**

---

Această funcție permite cuptorului să pornească mai târziu.

1. În modul de așteptare, introduceți un program de gătit (cu excepția gătitului rapid, a dezghețării automate și a dezghețării rapide).
2. Apăsați butonul PRESETARE o dată.
3. Rotiți butonul MENUU/ORĂ pentru a seta ora.
4. Apăsați butonul PRESETARE o dată.
5. Rotiți butonul MENUU/ORĂ pentru a seta minutele.
6. Apăsați butonul START/PORNIRE RAPIDĂ încă o dată.

**NOTĂ:** Puteți verifica cronometrul apăsând butonul PRESETARE, dacă butonul PAUZĂ/ANULARE este apăsător; când afișajul arată ora, funcția poate fi anulată.

## **BLOCARE PENTRU COPII**

---

Blocarea pentru copii previne utilizarea cuptorului de către copii nesupravegheați.

Pentru a intra în meniul de blocare pentru copii: În modul de așteptare, dacă nu există nicio operațiune în decurs de un minut, cuptorul va intra automat în modul de blocare pentru copii și indicatorul luminos de blocare se va aprinde. În starea de blocare, toate butoanele sunt dezactivate.

Anulare: În modul de blocare pentru copii, deschideți sau închideți ușa cuptorului o dată pentru a anula programul și indicatorul luminos de blocare se va stinge.

## GĂTIT AUTOMAT

Pentru următorul mod de fel de mâncare sau de gătit, nu este necesar să programați timpul și puterea de gătire. Este suficient să indicați felul de mâncare pe care doriți să-l gătiți, precum și greutatea sau porțiile acestui aliment.

1. În modul de așteptare, rotiți butonul MENU/ORĂ în sens invers acelor de ceasornic o dată, afișajul va afișa „A-01”, apoi continuați să rotiți butonul pentru a selecta alte coduri alimentare.
2. Apăsați butonul REGLARE GREUTATE în mod repetat pentru a seta greutatea alimentelor sau porțiile.
3. Apăsați butonul START/PORNIRE RAPIDĂ pentru a confirma.

### Meniuri de gătit automat:

Cod	Alimente	Greutate/Cantitate	Notă
A-01	Lapte/Cafea/Ceai (200 ml/cană, 1-3 căni)	1 cană	Afișajul va afișa numărul de porții în loc de greutatea alimentelor
		2 căni	
		3 căni	
A-02	Pizza	150g	
		300g	
		450g	
A-03	Potato	1	100 g per porție
		2	
		3	
A-04	Reîncălzire automată	200g	
		300g	
		400g	
		500g	
		600g	
		700g	
		800g	
A-05	Pește	200g	
		300g	
		400g	
		500g	
		600g	
A-06	Floricele de porumb	100g	
A-07	Supă	200g	
		400g	
		600g	
A-08	Terci	50g	
		100g	
		150g	

A-09	Legume proaspete	200g	
		300g	
		400g	
		500g	
		600g	
A-10	Legume congelate	200a	
		300g	
		400g	
		500g	
		600g	
A-11	Orez	150a	
		300g	
		450g	
		600g	
A-12	Spaghete/paste	100a	
		200a	
		300g	
A-13	Cină/fel de mâncare congelat	250a	
		500a	
A-14	Curățare automată/(punerea sa în funcțiune presupune curgerea apei în interiorul cavității)		

Rezultatul gătirii automate depinde de factori precum forma și dimensiunea alimentelor, preferințele personale cu privire la gradul de coacere a anumitor alimente și chiar cât de bine așezați alimentele în cuptor. Dacă rezultatul nu este satisfăcător, ajustați puțin timpul de gătire.

# CURĂȚAREA ȘI ÎNGRIJIREA

1. Opriți cuptorul și deconectați cablul de alimentare de la perete atunci când îl curățați.
2. Păstrați interiorul cuptorului curat. Când stropii de alimente sau lichidele vărsate se lipesc de pereții cuptorului, ștergeți cu o cârpă umedă. Pot fi utilizați detergenți moi atunci când cuptorul se murdărește foarte mult. Evitați utilizarea spray-urilor sau a altor produse de curățare agresive. Acestea pot păta, strica sau face ca suprafața ușii să devină opacă.
3. Partea exterioară a cuptorului trebuie curățată cu o cârpă umedă. Pentru a preveni deteriorarea pieselor funcționale din interiorul cuptorului, apa nu trebuie lăsată să pătrundă în orificiile de ventilație.
4. Ștergeți frecvent ușa și fereastra pe ambele părți, garniturile ușii și piesele adiacente cu o cârpă umedă pentru a îndepărta eventualele scurgeri sau stropi. Nu utilizați un produs de curățare abraziv.
5. Nu trebuie utilizat un dispozitiv de curățat cu aburi.
6. Nu lăsați panoul de control să se ude. Curățați cu o cârpă moale și umedă. Când curățați panoul de control, lăsați ușa cuptorului deschisă pentru a preveni pornirea accidentală a cuptorului.
7. Dacă se acumulează abur în interiorul sau în jurul exteriorului ușii cuptorului, ștergeți cu o cârpă moale. Acest lucru se poate întâmpla atunci când cuptorul cu microunde funcționează în condiții de umiditate ridicată. Și este normal.
8. Ocazional, este necesar să scoateți tava din sticlă pentru a o curăța. Spălați tava în apă caldă cu spumă sau în mașina de spălat vase.
9. Inelul de rotire și partea inferioară a cuptorului trebuie curățate în mod regulat pentru a evita zgometul excesiv. Pur și simplu ștergeți suprafața inferioară a cuptorului cu detergent blând. Inelul de rotire poate fi spălat în apă cu săpun sau în mașina de spălat vase. Când scoateți inelul rolei, asigurați-vă că îl înlocuiți în poziția corectă.
10. Îndepărtați mirosurile din cuptor amestecând, într-un castron care se poate folosi la microunde, o cană de apă cu zeama și coaja unei lămâi. Lăsați cuptorul să funcționeze la microunde timp de 5 minute. Ștergeți bine și uscați cu o cârpă moale.
11. Dacă becul se arde, contactați serviciul pentru clienți pentru a îl înlocui.
12. Cuptorul trebuie curățat în mod regulat și orice depuneri de alimente trebuie îndepărtate. Nemenținerea cuptorului într-o stare curată poate duce la deteriorarea suprafeței care ar putea afecta negativ durata de viață a unității și ar putea duce la situații periculoase.
13. Nu aruncați acest aparat în coșul de gunoi menajer; ar trebui să fie aruncat la centrul special de eliminare furnizat de municipalități.



Acest aparat este etichetat în conformitate cu Directiva Europeană 2012/19/UE privind Reglementările privind deșeurile de echipamente electrice și electronice 2013 privind aparatele electrice și electronice (DEEE). DEEE conține substanțele poluante (care pot avea un efect negativ asupra mediului) și elementele de bază (care pot fi reutilizate). Este important ca DEEE să fie supuse tratamentelor specifice pentru a îndepărta și elimina corect substanțele poluante și a recupera toate materialele. Persoanele pot juca un rol important în a asigura că DEEE nu devin o problemă de mediu: este vital să urmați câteva dintre regulile de bază:

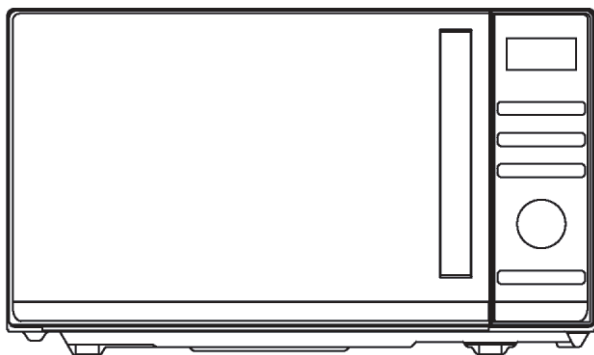
- DEEE nu trebuie tratate drept reziduu domestic;

- DEEE trebuie duse în zone de colectare dedicate, gestionate de primărie sau de o companie autorizată.

În multe țări, colectările domestice pot fi disponibile pentru DEEE de dimensiuni mari. atunci când cumpărați un aparat nou, cel vechi poate fi returnat la distribuitorul care trebuie să îl accepte gratuit câte unul, atât timp cât aparatul este de tip echivalent și are aceleași funcții ca și aparatul achiziționat.




# Navodila za uporabo mikrovalovne pečice



Model: CMWA20TNDB

Pred namestitvijo in uporabo pečice natančno preberite ta navodila.

<b>Haier Europe</b> <small>CANDY</small>  <small>Haier</small>	<b>PT</b> 📞 707 200 188 210 010 773	<b>IT</b> 📞 02 400 48 200	<b>ES</b> 📞 902 100 150 943 914 150	<b>DE</b> 📞 0800 500 48 48
<b>BE</b> 📞 02 752 94 10	<b>NL</b> 📞 33 422 4000	<b>AT</b> 📞 0820 220 224	<b>GR</b> 📞 801 11 50 50 50	<b>CH</b> 📞 0848 780 780

70017948

# VSEBINA

<b>VSEBINA</b> .....	<b>1</b>
<b>PREVIDNOSTNI UKREPI ZA PREPREČEVANJE MOREBITNE IZPOSTAVLJENOSTI PREKOMERNI MIKROVALOVNI ENERGIJI</b> .....	<b>2</b>
<b>POMEMBNA VARNOSTNA NAVODILA</b> .....	<b>2</b>
<b>VODNIK ZA NAMESTITEV</b> .....	<b>5</b>
<b>NAVODILA ZA OZEMLJITEV</b> .....	<b>6</b>
<b>RADIJSKE MOTNJE</b> .....	<b>6</b>
<b>PRED KLICEM ZA SERVIS</b> .....	<b>6</b>
<b>TEHNIKE KUHANJA</b> .....	<b>7</b>
<b>VODNIK ZA KUHINJSKE PRIPOMOČKE</b> .....	<b>7</b>
<b>SPECIFIKACIJE</b> .....	<b>8</b>
<b>PRIKAZ IZDELKA</b> .....	<b>8</b>
<b>UPRAVLJANA PLOŠČA</b> .....	<b>9</b>
<b>NAVODILA ZA UPORABO</b> .....	<b>10</b>
NASTAVITEV URE.....	10
EKSPRESNO KUHANJE .....	10
PRIPRAVA HRANE V MIKROVALOVNI PEČICI .....	11
SAMODEJNO ODTAJANJE .....	11
HITRO ODTAJANJE .....	11
VEČSTOPENJSKO KUHANJE .....	12
SAMODEJNO ČIŠČENJE (PRIPADA MENIJU SAMODEJNO KUHANJE) .....	12
PREDNASTAVITEV .....	12
VARNOSTNI ZAKLEP .....	13
SAMODEJNO KUHANJE.....	13
<b>ČIŠČENJE IN NEGA</b> .....	<b>15</b>

# PREVIDNOSTNI UKREPI ZA PREPREČEVANJE MOREBITNE IZPOSTAVLJENOSTI PREKOMERNI MIKROVALOVNI ENERGIJI

1. Pečice ne poskušajte upravljati pri odprtih vratih, saj lahko delovanje pri odprtih vratih povzroči škodljivo izpostavljenost mikrovalovni energiji. Pomembno je, da varnostni zapor ne odklopite ali spreminjate.
2. Med sprednjo stran pečice in vrata ne postavljajte predmetov in ne dovolite, da bi se na tesnilnih površinah kopičili ostanki zemlje ali čistil.
3. Pečice ne uporabljajte, če je poškodovana. Zelo pomembno je, da se vrata pečice pravilno zapirajo in da ni poškodb na
  - a) vratih (vključno s krivinami),
  - b) tečajih in zapahi (zlomljeni ali ohlapni),
  - c) tesnilnih vrat in tesnilnih površinah.
4. Pečice ne sme nastavljati ali popravljati nihče razen usposobljenega servisnega osebja.

## POMEMBNA VARNOSTNA NAVODILA

Pri uporabi električne naprave je treba upoštevati osnovne varnostne ukrepe, vključno z naslednjim:

**OPOZORILO!** Za zmanjšanje tveganja opeklin, električnega udara, požara, poškodb oseb ali izpostavljenosti prekomerni mikrovalovni energiji:

1. Napravo uporabljajte samo za predvideno uporabo, kot je opisano v tem priročniku. V tej napravi ne uporabljajte jedkih kemikalij ali hlapov. Ta vrsta pečice je posebej zasnovana za segrevanje, kuhanje ali sušenje hrane. Ni namenjena industrijski ali laboratorijski uporabi.
2. Pečice ne uporabljajte, ko je prazna.
3. Naprave ne uporabljajte, če ima poškodovan kabel ali vtič, če ne deluje pravilno ali če je poškodovana ali je padla na tla. Če je priključni kabel poškodovan, morate preprečiti morebitna tveganja, zato ga sme nadomestiti samo proizvajalec, njegov servisni agent ali drug kvalificiran serviser.

4. **OPOZORILO!** Otroci lahko pečico uporabljajo brez nadzora samo, če so jim bila podana ustrezna navodila in lahko pečico uporabljajo na varen način ter razumejo nevarnosti nepravilne uporabe.
5. Za zmanjšanje tveganja požara v notranjem prostoru pečice:
  - Pri segrevanju hrane v plastični ali papirnati posodi bodite pozorni zaradi možnosti vžiga.
  - Preden papirnato ali plastično vrečko postavite v pečico, z nje odstranite vezice.
  - Če opazite dim, izklopite ali odklopite napravo, vrata pa naj ostanejo zaprta, da se ogenj zaduši.
  - Notranjega prostora ne uporabljajte za shranjevanje. Ne puščajte papirnatih izdelkov, kuhinjskih pripomočkov ali hrane v notranjem prostoru, ko pečice ne uporabljate.
  - Mikrovalovna pečica je namenjena segrevanju hrane in pijač. Sušenje hrane ali oblačil in segrevanje grelnih blazinic, copat, gobic, vlažnih krp in podobno lahko povzroči nevarnost poškodb, vžiga ali požara.
6. **OPOZORILO!** Tekočih ali drugih živil ne smete segrevati v zaprtih posodah, ker lahko eksplodirajo.
7. Mikrovalovno segrevanje pijače lahko povzroči zapoznelo eruptivno vrenje, zato morate biti pri ravnanju s posodo previdni.
8. Pečice ne uporabljajte za cvrtje hrane. Vroče olje lahko poškoduje dele in pribor pečice ter celo povzroči opekline kože.
9. Jajc v lupini in celih trdo kuhanih jajc se v mikrovalovnih pečicah ne sme segrevati, saj lahko eksplodirajo tudi po koncu mikrovalovnega segrevanja.
10. Pred kuhanjem živila s trdim olupkom, kot so krompir, cele buče, jabolka in kostanje, preluknjajte.
11. Vsebinske steklenice za hranjenje in kozarcev hrane za dojenčke je treba premešati ali pretresti in pred serviranjem preveriti temperaturo, da preprečite opekline.
12. Pribor za kuhanje lahko zaradi visokih temperatur, ki se prenese s segrete hrane, postane vroč. Za rokovanje s priborom boste morda potrebovali kuhinjska držala.
13. Preverite, ali je pribor primeren za uporabo v mikrovalovni pečici.
14. **OPOZORILO!** Izvajanje kakršnih koli servisov ali popravil, ki vključujejo odstranjevanje kakršnega koli pokrova, ki zagotavlja zaščito pred izpostavljenostjo mikrovalovni energiji, je nevarno za vse osebe, ki niso usposobljene za to delo.
15. Ta mikrovalovna pečica je skladna s standardom EN 55011/CISPR 11, v tem standardu spada v razvrstitev skupine 2 razreda B. Oprema skupine 2: skupina 2 vsebuje vso opremo ISM RF, v kateri se namerno proizvaja in uporablja radiofrekvenčna energija v frekvenčnem območju od 9 kHz do 400 GHz, ali se uporablja samo lokalno, v obliki elektromagnetnega sevanja, induktivne in/ali kapacitivne priklope, za obdelavo materiala, za namene pregleda/analize ali za prenos elektromagnetne energije. Oprema

razreda B je oprema, primerna za uporabo na lokacijah v stanovanjskih okoljih in ustanovah, neposredno povezanih z nizkonapetostnim napajalnim omrežjem, ki oskrbuje stavbe za gospodinjske namene.

16. Naprava ni namenjena uporabi s strani oseb (vključno z otroki) z zmanjšanimi fizičnimi, senzoričnimi ali mentalnimi sposobnostmi ali oseb brez izkušenj in znanja, razen če jih oseba, odgovorna za njihovo varnost, nadzira ali pouči o uporabi naprave.
17. Otroci morajo biti pod nadzorom, da preprečite, da bi se igrali z napravo.
18. Mikrovalovna pečica se uporablja samo v prostostojećem stanju.
19. **OPOZORILO!** Pečice ne nameščajte na kuhalno ploščo ali drugo napravo, ki proizvaja toploto. Takšna namestitvev bi lahko povzročila poškodbe in garancija ne bi veljala.
20. Mikrovalovne pečice ne smete namestiti v omarico.
21. **OPOZORILO!** Naprava in njeni dostopni deli se med delovanjem močno segrejejo.
22. **OPOZORILO!** Dostopni deli se lahko med uporabo segrejejo. Majhni otroci naj se zadržujejo stran od naprave.
23. Med uporabo se naprava segreje. Pazite, da se ne dotikate grelnih elementov v notranjosti pečice.
24. Temperatura dostopnih površin je lahko med delovanjem naprave visoka.
25. Napravo namestite ob steno.
26. Naprave ne smejo uporabljati otroci ali osebe z zmanjšanimi fizičnimi, senzoričnimi ali mentalnimi sposobnostmi ali osebe, ki nimajo dovolj izkušenj in znanja, razen pod nadzorom ali če so bile dobro poučene.
27. **OPOZORILO!** Če so vrata ali tesnila vrat poškodovana, pečice ne smete uporabljati, dokler je ne popravi pristojna oseba.
28. Naprava ni predvidena za delovanje z zunanjim časovnikom ali ločenim sistemom za daljinsko upravljanje.
29. Mikrovalovna pečica je namenjena samo gospodinjski uporabi in ne komercialni uporabi.
30. Nikoli ne odstranite držala za razdaljo zadaj ali ob straneh, saj zagotavlja najmanjšo razdaljo od stene, ki še omogoča kroženje zraka.
31. Pred premikanjem naprave zavarujte vrtljivi podstavek, da se izognete poškodbam.
32. **POZOR!** Napravo lahko popravi ali vzdržuje samo strokovnjak, saj je treba v tem primeru odstraniti pokrov, ki zagotavlja zaščito pred mikrovalovnim sevanjem, kar je nevarno. To velja tudi za menjavo napajalnega kabla ali osvetlitve. Napravo v teh primerih pošljite v naš servisni center.
33. Mikrovalovna pečica je namenjena samo odmrzovanju, kuhanju in parjenju hrane.
34. Pri odstranjevanju segrete hrane uporabite rokavice.
35. Pozor! Pri odpiranju pokrovov ali zavijanju folije bo uhajala para.
36. To napravo lahko uporabljajo otroci, starejši od 8 let, ter osebe z zmanjšanimi fizičnimi, senzoričnimi ali umskimi zmožnostmi ali s pomanjkanjem izkušenj in znanja, pod ustreznim nadzorom, ali če imajo navodila za varno uporabo naprave

ter če razumejo s tem povezana tveganja. Otroci naj se z aparatom ne igrajo. Otroci ne smejo izvajati čiščenja in vzdrževanja naprave, razen če so stari več kot 8 let in so pod nadzorom.

37. Če opazite dim, izklopite ali odklopite napravo, vrata pa naj ostanejo zaprta, da se ogenj zaduši.

## VODNIK ZA NAMESTITEV

1. Prepričajte se, da ste iz notranjosti odstranili vso embalažo.
2. **OPOZORILO!** Preverite, ali je pečica kakor koli poškodovana, na primer napačno poravnana ali upognjena vrata, poškodovana tesnila vrat in tesnilna površina, zlomljeni ali ohlapni tečajji vrat ter zapahi in vdolbine v notranjosti pečice ali na vratih. Če opazite poškodbe, pečice ne uporabljajte in se obrnite na usposobljeno servisno osebje.
3. To mikrovalovno pečico je treba postaviti na ravno, stabilno površino, ki lahko drži njeno težo in najtežjo hrano, ki se bo verjetno kuhala v pečici.
4. Pečice ne postavljajte na mesto, kjer nastajajo toplota, vlaga ali visoka vlažnost, ali v bližino gorljivih materialov.
5. Za pravilno delovanje mora imeti pečica zadosten pretok zraka. Nad pečico naj bo 20 cm prostora, za njo 10 cm in 5 cm na obeh straneh. Ne prekrivajte ali zamašite odprtih na napravi. Ne odstranjajte nog.
6. Pečice ne uporabljajte brez steklenega pladnja, podpore valja in gredi v ustreznih položajih.
7. Prepričajte se, da napajalni kabel ni poškodovan in ne teče pod pečico ali čez vročo ali ostro površino.
8. Vtičnica mora biti zlahka dostopna, tako da je kabel mogoče v nujnih primerih enostavno odklopiti.
9. Pečice ne uporabljajte na prostem.

# NAVODILA ZA OZEMLJITEV

Naprava mora biti ustrezno ozemljena. Ta pečica je opremljena s kablom, ki ima ozemljitveno žico z ozemljitvenim priključkom. Priključiti ga je treba v stensko vtičnico, ki je pravilno nameščena in ozemljena. V primeru kratkega električnega stika ozemljitev zmanjša tveganje električnega udara, saj zagotavlja izhodne žice za električni tok. Priporočljivo je, da se zagotovi ločeno vezje, ki je namenjeno samo pečici. Uporaba visoke napetosti je nevarna in lahko povzroči požar ali drugo nesrečo, ki povzroči poškodbe pečice.

**OPOZORILO!** Nepravilna uporaba ozemljitvenega priključka lahko povzroči električni šok.

## **Opomba:**

1. Če imate kakršna koli vprašanja o ozemljitvi ali električnih navodilih, se posvetujte z usposobljenim električarjem ali serviserjem.
2. Proizvajalec in trgovec nista odgovorna za poškodbe pečice ali telesne poškodbe, ki so posledica neupoštevanja postopkov električne priključitve.

Žice v glavnem kablu so obarvane v skladu z naslednjimi oznakami:

**Zelena in rumena = OZEMLJITEV**

**Modra = NEVTRALNO**

**Rjava = POD NAPETOSTJO**

# RADIJSKE MOTNJE

Delovanje mikrovalovne pečice lahko povzroči motnje na radiu, televiziji ali podobni opremi. Motnje je mogoče zmanjšati ali odpraviti z naslednjimi ukrepi:

1. Očistite vrata in tesnilno površino pečice.
2. Preusmerite sprejemno anteno radia ali televizije.
3. Premaknite mikrovalovno pečico glede na sprejemnik.
4. Premaknite mikrovalovno pečico stran od sprejemnika.
5. Mikrovalovno pečico priključite v drugo vtičnico, tako da sta mikrovalovna pečica in sprejemnik na različnih tokokrogih.

# PRED KLICEM ZA SERVIS

Preden zaprosite za servis, preverite vsak spodnji element:

- Preverite, ali je pečica varno priključena. Če ni, izvlecite vtič iz vtičnice, počakajte 10 sekund in ga ponovno varno priključite.
- Preverite, ali je morda pregorela varovalka ali se je sprožil glavni odklopnik. Če se zdi, da oboje deluje pravilno, preizkusite vtičnico z drugo napravo.

- Preverite, ali je upravljalna plošča pravilno programirana in je nastavljen časovnik.
- Preverite, ali so vrata varno zaprta, pri čemer vklopite sistem zaklepanja vrat. Če vrata niso pravilno zaprta, energija iz mikrovalovne pečice ne bo tekla v notranjost.

ČE NIČ OD NAŠTETEGA NE POPRAVI SITUACIJE, SE OBRNITE NA USPOSOBLJENEGA TEHNIKA. PEČICE NE POSKUŠAJTE NASTAVITI ALI POPRAVITI SAMI.

## TEHNIKE KUHANJA

1. Previdno razporedite hrano. Najdebelejše dele postavite na zunanjo stran posode.
2. Opazujte čas priprave jedi. Kuhajte najkrajši navedeni čas in po potrebi dodajte več časa. Hrana, ki je močno prekuhana, se lahko kadi ali vname.
3. Med kuhanjem živila pokrijte. Pokrovi preprečujejo škropljenje in pomagajo pri enakomernem kuhanju živil.
4. Med mikrovalovnim kuhanjem enkrat obrnite hrano, da pospešite pripravo živil, kot so piščančje meso in pleskavice. Velika živila, kot je pečenka, obrnite vsaj enkrat.
5. Prerazporedite živila, kot so mesne kroglice, na polovici kuhanja od zgoraj navzdol in od sredine posode navzven.

## VODNIK ZA KUHINJSKE PRIPOMOČKE

1. Mikrovalovna pečica ne more prodreti skozi kovino. Uporabljajte samo pribor, ki je primeren za uporabo v mikrovalovnih pečicah. Med mikrovalovnim kuhanjem niso dovoljene kovinske posode za hrano in pijačo. Ta zahteva ne velja, če proizvajalec navede velikost in obliko kovinskih posod, primernih za mikrovalovno kuhanje.
  2. Mikrovalovna pečica ne more prodreti skozi kovino, zato ne smete uporabljati kovinskih pripomočkov ali posode s kovinsko oblogo.
  3. Pri mikrovalovnem kuhanju ne uporabljajte recikliranih izdelkov iz papirja, saj lahko vsebujejo majhne kovinske delce, ki lahko povzročijo iskre in/ali požar.
  4. Priporočamo okrogle/ovalne posode namesto kvadratnih/podolgovatih, saj se hrana v vogalih lahko razkuha.
  5. Če želite preprečiti, da bi se izpostavljeni deli prekuhali, lahko uporabite ozke trakove iz aluminijaste folije. Vendar pazite, da je ne uporabite preveč in ohranjate razdaljo 1 palca (2,54 cm) med folijo in notranjostjo pečice.
- Spodnji seznam je splošni vodnik, ki vam lahko pomaga izbrati pravi pribor.



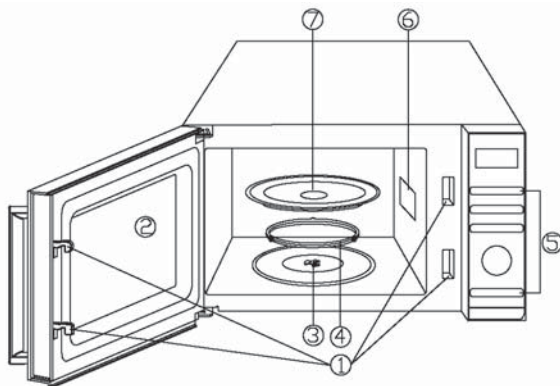
Kuhinjska posoda	Priprava hrane v mikrovalovni pečici
Toplotno odporno steklo	Da
Steklo, ki ni odporno na toploto	Ne
Toplotno odporna keramika	Da
Plastična posoda, primerna za mikrovalovno pečico	Da
Kuhinjska papirnata brisača	Da
Kovinski pladenj	Ne
Kovinsko stojalo	Ne
Posode iz aluminijaste folije	Ne

## SPECIFIKACIJE

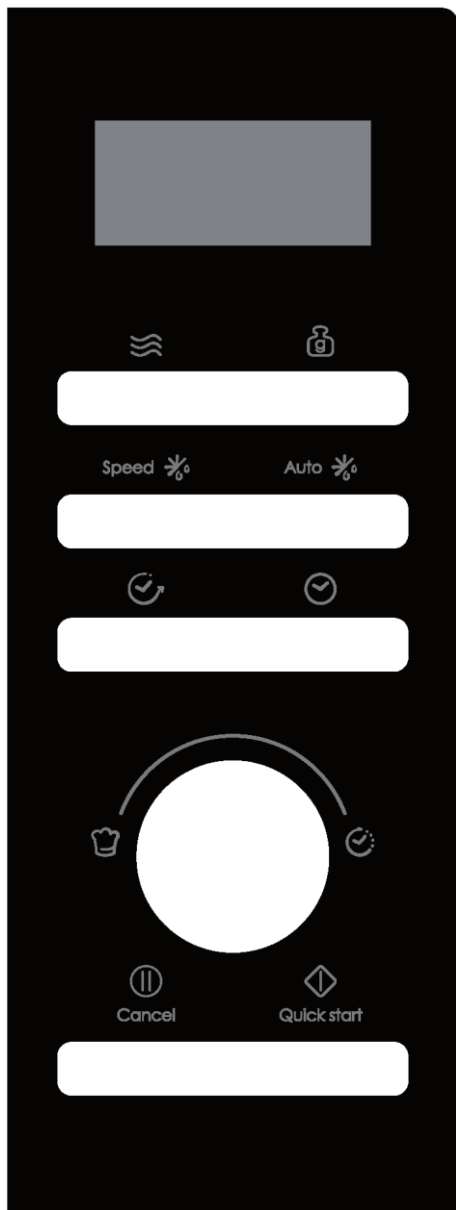
Poraba energije	230 V/50 Hz, 1200W (mikrovalovna pečica)
Izhod	700 W
Frekvenca delovanja	2450 MHz
Zunanje dimenzije	262 mm (V) × 452 mm (Š) × 346 mm (D)
Dimenzije notranjosti pečice	198 mm (V) × 315 mm (Š) × 297 mm (D)
Zmogljivost pečice	kompaktno 20 litrov
Neto teža	približno 10,2 kg

## PRIKAZ IZDELKA

1. Varnostni sistem zaklepanja vrat
2. Okno pečice
3. Gred
4. Valjčni obroč
5. Upravljalna plošča
6. Vodnik valovanja  
(Ne odstranjujte plošče sljude, ki pokriva vodnik valovanja.)
7. Stekleni pladenj



# UPRAVLJANA PLOŠČA



- **ZASLON**

Prikazani so čas kuhanja, moč, kazalniki in ura.

- **MOČ** 

Pritisnite za nastavitev stopnje moči mikrovalovne pečice.

- **NASTAVITEV TEŽE** 

Pritisnite, da nastavite težo hrane ali porcije.

- **HITROST ODTAJANJA** Speed 

Pritisnite, da hrano odtajate glede na čas.

- **SAMODEJNO ODTAJANJE** Auto 

Pritisnite, da hrano odtajate glede na težo.

- **PREDNASTAVITEV** 

Uporabite za poznejši zagon pečice.

- **URA** 

Pritisnite za nastavitev ure.

- **MENI/ČAS (stikalo)**  

Zavrtite gumb za izbiro menijev za samodejno kuhanje.

Zavrtite gumb za nastavitev časa.

- **PREMOR/PREKLIC**  **Cancel**


Pritisnite enkrat za začasno prekinitev kuhanja ali dvakrat za popolno prekinitev kuhanja.

- **ZAČETEK/HITER ZAČETEK**  **Quick start**

Pritisnite za začetek programov kuhanja in odtajanja.

Večkrat pritisnite, da nastavite čas kuhanja in takoj začnete s kuhanjem pri polni moči.

# NAVODILA ZA UPORABO

- Ko pečico prvič priključite, boste zaslišali pisk, na zaslonu pa bo prikazano "1:01" in .
- V postopku nastavitve, ki je prekinjen za približno 25 sekund, se bo pečica vrnila v stanje pripravljenosti.
- Če med kuhanjem enkrat pritisnete gumb za PREMOR/PREKLIC, bo program začasno ustavljen, nato pa pritisnite gumb ZAČETEK/HITER ZAČETEK za nadaljevanje. Če pa dvakrat pritisnete gumb za PREMOR/PREKLIC, bo program preklican.
- Po koncu kuhanja se bo na zaslonu prikazalo „End“ in vsaki dve minuti boste zaslišali pisk, dokler uporabnik ne pritisne gumba za PREMOR/PREKLIC ali odpre vrat.
- Če med delovanjem enkrat pritisnete ustrezen gumb, boste slišali en pisk, če pa pritisnete neustrezen gumb, boste zaslišali dva piska.

## NASTAVITEV URE

---

To je 12- ali 24-urna nastavitev. S pritiskom na gumb za URO v stanju pripravljenosti jo lahko nastavite na 12- ali 24-urni cikel.

1. V stanju pripravljenosti večkrat pritisnite gumb za URO, da izberete 12-urno ali 24-urno nastavitev.
2. Obrnite stikalo za MENI/ČAS, da nastavite uro.
3. Enkrat pritisnite gumb za URO.
4. Obrnite stikalo za MENI/ČAS, da nastavite minute.
5. Za potrditev pritisnite gumb za URO.

**OPOMBA:** Med kuhanjem lahko trenutni čas ure preverite s pritiskom na gumb za URO.

## EKSPRESNO KUHANJE

---

Uporabite to funkcijo, da programirate pečico na mikrovalovno pripravo s 100-odstotno močjo. V stanju pripravljenosti večkrat pritisnite gumb ZAČETEK/HITER ZAČETEK, da nastavite čas kuhanja (z vsakim pritiskom podaljšate za 30 sekund do 10 minut), in pečica bo začela samodejno delovati s polno močjo. Med kuhanjem lahko čas kuhanja podaljšate s pritiskom na gumb ZAČETEK/HITER ZAČETEK.

## **PRIPRAVA HRANE V MIKROVALOVNI PEČICI**

---

1. V stanju pripravljenosti večkrat pritisnite gumb za VKLOP, da izberete raven moči.
2. Za nastavitev časa kuhanja zavrtite stikalo za MENI/ČAS. Najdaljši čas je 95 minut.
3. Pritisnite gumb ZAČETEK/HITER ZAČETEK za potrditev.

**Pritisnite gumb za VKLOP, da izberete raven moči.**

Pritisnite gumb za VKLOP	Moč (prikaz)	Pritisnite gumb za VKLOP	Moč (prikaz)
Enkrat	100 % (100)	7-krat	40 % (40)
Dvakrat	90 % (90)	8-krat	30 % (30)
3-krat	80 % (80)	9-krat	20 % (20)
4-krat	70 % (70)	10-krat	10 % (10)
5-krat	60 % (60)	11-krat	00 % (00)
6-krat	50 % (50)		

**OPOMBA:** Med kuhanjem lahko preverite trenutno raven moči kuhanja s pritiskom na gumb za VKLOP.

## **SAMODEJNO ODTAJANJE**

---

Čas odtajanja in raven moči se samodejno nastavita, ko je programirana teža živila. Teža odtajanje hrane je od 100 g do 1800 g.

1. V stanju pripravljenosti enkrat pritisnite gumb za SAMODEJNO ODTAJANJE.
2. Večkrat pritisnite gumb za NASTAVITEV TEŽE, da izberete težo živila.
3. Pritisnite gumb ZAČETEK/HITER ZAČETEK za potrditev.

**OPOMBA:** Med odtajanjem se sistem ustavi in oglasi, da uporabnika opomni, naj hrano obrne, nato pa za nadaljevanje odtajanja pritisnite gumb ZAČETEK/HITER ZAČETEK.

## **HITRO ODTAJANJE**

---

1. V stanju pripravljenosti enkrat pritisnite gumb za HITRO ODTAJANJE.
2. Za nastavitev časa odtajanja zavrtite stikalo za MENI/ČAS. Najdaljši čas je 95 minut.
3. Pritisnite gumb ZAČETEK/HITER ZAČETEK za potrditev.

**OPOMBA:** Med odtajanjem se sistem ustavi in oglasi, da uporabnika opomni, naj hrano obrne, nato pa za nadaljevanje odtajanja pritisnite gumb ZAČETEK/HITER ZAČETEK.

## VEČSTOPENJSKO KUHANJE

---

Pečico lahko programirate za največ 2 zaporedji samodejnega kuhanja.

Predpostavimo, da želite nastaviti naslednji program kuhanja.

Mikrovalovno kuhanje



Mikrovalovno kuhanje (z nižjo stopnjo moči)

1. Vnesite prvi program mikrovalovnega kuhanja. Ne pritisnite gumba ZACETEK/HITER ZACETEK.
2. Vnesite drugi program mikrovalovnega kuhanja.
3. Pritisnite gumb ZACETEK/HITER ZACETEK za potrditev.

**OPOMBA:** Hitrega kuhanja, samodejnega odtajanja, hitrega odtajanja in samodejnega kuhanja ni mogoče nastaviti v večstopenjskem kuhanju.

## SAMODEJNO ČIŠČENJE (pripada meniju SAMODEJNO KUHANJE)

---

V pečico postavite skledo s 300 g vode in zaprite vrata.

1. V stanju pripravljenosti enkrat zavrtite stikalo za MENI/ČAS v nasprotni smeri urinega kazalca in nato vrtite stikalo, dokler se na zaslonu ne prikaže „CLE“ in „AUTO“.
2. Enkrat pritisnite gumb za NASTAVITEV TEŽE.
3. Pritisnite gumb ZACETEK/HITER ZACETEK za začetek.

**OPOMBA:** Čiščenje traja 10 minut.

## PREDNASTAVITEV

---

Funkcija prednastavitve omogoča naknadni zagon pečice.

1. Vnesite program kuhanja (razen ekspresnega kuhanja, hitrega odtajanja in samodejnega odtajanja).
2. Enkrat pritisnite gumb za PREDNASTAVITEV.
3. Obrnite stikalo za MENI/ČAS, da nastavite uro.
4. Enkrat pritisnite gumb za PREDNASTAVITEV.
5. Obrnite stikalo za MENI/ČAS, da nastavite minute.
6. Pritisnite gumb ZACETEK/HITER ZACETEK za potrditev.

**OPOMBA:** Če pečica ostane v prednastavljenem stanju, lahko prednastavljeni čas preverite tako, da enkrat pritisnete gumb za PREDNASTAVITEV. Če pritisnete gumb za PREMOR/PREKLIC, ko se prikaže čas, pa lahko funkcijo prekličete.

## VARNOSTNI ZAKLEP

Varnostni zaklep preprečuje nenadzorovano uporabo s strani otrok.

Za vstop v varnostni zaklep: Če v stanju pripravljenosti eno minuti ni delovanja, pečica samodejno vstopi v način varnostnega zaklepa za otroke in vklopi se lučka zaklepa. V stanju zaklepa so vsi gumbi onemogočeni.

Če želite preklicati: V načinu varnostnega zaklepa odprite ali zaprite vrata pečice, da prekličete program in lučka zaklepa se bo izklopila.

## SAMODEJNO KUHANJE

Za naslednji način kuhanja ni treba programirati časa in moči. Zadostuje, da navedete vrsto hrane, ki jo želite skuhati, ter težo ali porcije te hrane.

1. V stanju pripravljenosti obrnite stikalo za MENI/ČAS v nasprotni smeri urinega kazalca, da izberete kodo hrane.
2. Večkrat pritisnite gumb za NASTAVITEV TEŽE, da nastavite težo hrane ali porcije.
3. Pritisnite gumb ZAČETEK/HITER ZAČETEK za potrditev.

### Meniji za samodejno kuhanje:

Koda	Živilo	Teža/količina	Opomba
A-01	Mleko/kava/čaj (200 ml/skodelico, 1–3 skodelice)	<b>1 skodelica</b>	Na zaslonu bo prikazano število porcij namesto teže hrane.
		<b>2 skodelici</b>	
		<b>3 skodelice</b>	
A-02	Pica	150 g	
		300 g	
		450 g	
A-03	Krompir	1	100 g na porcijo
		2	
		3	
A-04	Samodejno pogrevanje	200 g	
		300 g	
		400 g	
		500 g	
		600 g	
		700 g	
		800 g	
A-05	Riba	200 g	
		300 g	
		400 g	
		500 g	
		600 g	
A-06	Kokice	100 g	

A-07	Juha	1	200 g na porcijo
		2	
		3	
A-08	Kaša	50 g	
		100 g	
		150 g	
A-09	Sveža zelenjava	200 g	
		300 g	
		400 g	
		500 g	
		600 g	
A-10	Zamrznjena zelenjava	200 g	
		300 g	
		400 g	
		500 g	
		600 g	
A-11	Riž	150 g	
		300 g	
		450 g	
		600 g	
A-12	Špageti/testenine	100 g	
		200 g	
		300 g	
A-13	Zamrznjena večerja/obrok	250 g	
		500 g	
A-14	Samodejno čiščenje/(delovanje bi bila kapljica vode v notranjosti pečice)		

Rezultat samodejnega kuhanja je odvisen od dejavnikov, kot so oblika in velikost živila, vaše osebne želje glede zapečenosti nekaterih živil in celo od tega, kako dobro postavite živila v pečico. Če ugotovite, da rezultat na določeni stopnji ni povsem zadovoljiv, ustrezno prilagodite čas kuhanja.

# ČIŠČENJE IN NEGA

1. Med čiščenjem izklopite pečico in odklopite napajalni kabel iz stene.
2. Ohranajte notranjost pečice čisto. Če hrana ali tekočina poškrapi stene pečice in se nanjo prilepi, jih obrišite z vlažno krpo. Če je pečica zelo umazana, lahko uporabite blagi detergent. Izogibajte se uporabi sprejev ali drugih grobih čistil. Na površini vrat se lahko pojavijo madeži, črte ali potemnitev.
3. Zunanost pečice očistite z vlažno krpo. Da bi preprečili poškodbe delov v pečici, voda ne sme pronicati v prezračevalne odprtine.
4. Z vlažno krpo pogosto obrišite vrata in okno na obeh straneh, tesnila vrat in bližnje dele, da odstranite morebitne tekočine ali umazanijo. Ne uporabljajte jedkih čistil.
5. Ne uporabljajte parnega čistilnika.
6. Poskrbite, da upravljalna plošča ni nikoli mokra. Očistite jo z mehko, vlažno krpo. Pri čiščenju upravljalne plošče pustite vrata pečice odprta, da preprečite nenamerni vklop pečice.
7. Če se na notranji strani vrat ali okoli vrat na zunanji strani nabira para, jo obrišite z mehko krpo. To se lahko zgodi, če mikrovalovna pečica deluje v pogojih visoke vlažnosti. In to je običajno.
8. Občasno je treba odstraniti in očistiti stekleni pladenj. Pladenj operite v topli in milnati vodi ali v pomivalnem stroju.
9. Valjčni obroč in dno pečice je treba redno čistiti, da se izognete prekomernemu hrupu. Dno pečice preprosto obrišite z blagim detergentom. Valjčni obroč lahko operete v blagi milnati vodi ali v pomivalnem stroju. Po odstranitvi valjčnega obroča poskrbite, da ga ponovno namestite v pravi položaj.
10. Vonjave iz pečice odstranite tako, da v posodi, primerni za mikrovalovno pečico, skodelico vode zmešate s sokom in lupinico ene limone. Segrevajte 5 minut. Nato pečico temeljito obrišite in posušite z mehko krpo.
11. Če žarnica pregori, se za zamenjavo obrnite na službo za pomoč strankam.
12. Pečico je treba redno čistiti in odstranjevati morebitne ostanke hrane. Če pečice ne čistite redno, lahko pride do razkrajanja površine, ki lahko negativno vpliva na življenjsko dobo naprave in je lahko nevarno.
13. Naprave ne odlagajte v koš za gospodinjske odpadke, temveč jo odnesite v poseben center za odstranjevanje odpadkov v vaši občini.

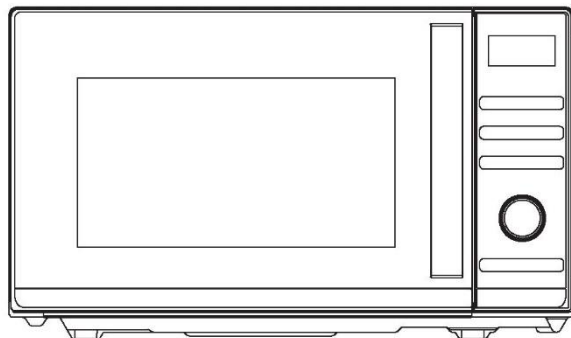




Ta naprava je označena v skladu z evropsko direktivo 2012/19/EU o odpadni električni in elektronski opremi iz leta 2013 (OEEO). OEEO vsebuje onesnaževalne snovi (ki lahko negativno vplivajo na okolje) in osnovne elemente (ki jih je mogoče ponovno uporabiti). Pomembno je, da je OEEO obdelana s posebnimi postopki za pravilno odstranjevanje in odlaganje onesnaževal ter predelavo vseh materialov. Posamezniki imajo lahko pomembno vlogo pri preprečevanju, da bi OEEO postala okoljska težava. Nujno je treba upoštevati nekatera temeljna pravila:

- z OEEO ne smete ravnati kot z gospodinjskimi odpadki.
  - OEEO je treba odpeljati v posebne zbirne centre, ki jih upravlja mestni svet ali registrirano podjetje.
- V številnih državah je lahko za veliko OEEO na voljo odvoz kosovnih odpadkov iz gospodinjstev. Ob nakupu novega aparata lahko starega oddate prodajalcu, ki ga je dolžan brezplačno prevzeti po načelu eden za enega, če je nova oprema enake vrste in ima enake funkcije kot stara.

# Upute za mikrovalnu pećnicu



Model: CMWA20TNDB

Pažljivo pročitajte ove upute prije ugradnje i uporabe pećnice.

<b>Haier Europe</b> <small>Casarte</small>  <b>Haier</b>	<b>PT</b> ☐ <b>707 200 188</b> <b>210 010 773</b>	<b>IT</b> ☐ <b>02 400 48 200</b>	<b>ES</b> ☐ <b>902 100 150</b> <b>943 914 150</b>	<b>DE</b> ☐ <b>0800 500 48 48</b>
	<b>BE LU</b> ☐ <b>02 752 94 10</b>	<b>NL</b> ☐ <b>33 422 4000</b>	<b>AT</b> ☐ <b>0820 220 224</b>	<b>GR</b> ☐ <b>801 11 50 50 50</b>

70017948

# SADRŽAJ

SADRŽAJ .....	1
MJERE OPREZA ZA IZBJEGAVANJE MOGUĆE IZLOŽENOSTI PREKOMJERNOJ MIKROVALNOJ ENERGIJI.....	2
VAŽNE UPUTE U VEZI SIGURNOSTI .....	2
UPUTE ZA UGRADNJU.....	5
UPUTE ZA UZEMLJENJE .....	5
RADIJSKE SMETNJE .....	6
PRIJE POZIVANJA SERVISA .....	6
TEHNIKE KUHANJA.....	6
VODIČ ZA PRIBOR ZA KUHANJE.....	7
SPECIFIKACIJE .....	8
HEMA PROIZVODA.....	8
UPRAVLJAČKA PLOČA.....	9
UPUTE ZA UPOTREBU .....	10
PODEŠAVANJE SATA.....	10
KUHANJE U MIKROVALNOJ PEĆNICI .....	10
EKSPRESNO KUHANJE .....	11
AUTOMATSKO ODMRZAVANJE .....	11
BRZINA ODMRZAVANJA .....	11
VIŠESTUPANJSKO KUHANJE.....	11
AUTOMATSKO ČIŠĆENJE .....	12
UNAPRIJED POSTAVLIENO .....	12
SIGURNOSNA BLOKADA ZA DJECU .....	12
AUTOMATSKO KUHANJE .....	13
ČIŠĆENJE I ODRŽAVANJE .....	14

# MJERE OPREZA ZA IZBJEGAVANJE MOGUĆE IZLOŽENOSTI PREKOMJERNOJ MIKROVALNOJ ENERGIJI

1. Ne upotrebljavajte ovu pećnicu s otvorenim vratima jer rad s otvorenim vratima može dovesti do štetnog izlaganja mikrovalnoj energiji. Važno je da ne deaktivirate i ne mijenjate sigurnosne brave.
2. Nemojte stavljati nikakve predmete između prednje strane pećnice i vrata niti dopustiti da se prljavština ili ostaci sredstva za čišćenje nakupljaju na brtvenim površinama.
3. Nemojte upotrebljavati pećnicu ako je oštećena. Vrlo je važno da se vrata pećnice pravilno zatvore i da nema oštećenja
  - a) Vrata (uključujući sve zavoje),
  - b) Šarke i zasuni (slomljeni ili olabavljeni),
  - c) Brtve vrata i brtvene površine.
4. Pećnicu smije podešavati ili popravljati samo kvalificirano servisno osoblje.

## VAŽNE UPUTE U VEZI SIGURNOSTI

Prilikom uporabe električnog uređaja potrebno je pridržavati se osnovnih sigurnosnih mjera, uključujući sljedeće:

**UPOZORENJE!** - Kako biste smanjili rizik od opekline, električnog udara, požara, ozljeda osoba ili izlaganja prekomjernoj mikrovalnoj energiji:

1. Upotrebljavajte ovaj uređaj samo za njegovu namjenu kako je opisano u priručniku. Nemojte koristiti korozivna kemijska sredstva ili pare u ovom uređaju. Ova vrsta pećnice predviđena je za zagrijavanje, kuhanje ili sušenje hrane. Nije predviđena za industrijsku ili laboratorijsku uporabu.
2. Ne upotrebljavajte pećnicu kada je prazna.
3. Nemojte rukovati ovim uređajem ako je oštećen kabel ili utikač, ako ne radi ispravno ili ako je oštećen ili je pao. Ako je kabel za napajanje oštećen, mora ga zamijeniti proizvođač, njegov servisier ili osobe sličnih kvalifikacija da bi se izbjegla opasnost.
4. **UPOZORENJE!** - Djeci dopustite uporabu pećnice bez nadzora samo kada uz odgovarajuće upute kako bi dijete moglo koristiti pećnicu na siguran način i razumjeti opasnosti uslijed nepravilne uporabe.

5. Kako biste smanjili rizik od požara u unutrašnjosti pećnice:
  - Prilikom zagrijavanja hrane u plastičnim ili papirnatim posudama pazite na pećnicu zbog mogućnosti paljenja.
  - Uklonite žičane spojnice s papirnatih ili plastičnih vrećica prije stavljanja vrećice u pećnicu.
  - Ako se iz uređaja širi dim, isključite ili odspojite ga i držite vrata zatvorena kako biste ugasili eventualni plamen.
  - Nemojte koristiti unutrašnjost pećnice za potrebe skladištenja. Ne ostavljajte papirnate proizvode, pribor za kuhanje ili hranu u unutrašnjosti kad nisu u uporabi.
  - Mikrovalna pećnica namijenjena je zagrijavanju hrane i pića. Sušenje hrane ili odjeće i zagrijavanje jastučića za grijanje, papuča, spužvi, vlažne krpe i slično može povećati rizik od ozljeda, paljenja ili požara.
6. **UPOZORENJE!** - Tekuća i druga hrana ne smije se zagrijavati u zatvorenim posudama jer mogu eksplodirati.
7. Mikrovalno zagrijavanje napitaka može rezultirati odgođenim eruptivnim vrenjem, stoga je potrebno biti oprezan pri rukovanju posudom.
8. Nemojte pržiti hranu u pećnici. Vruće ulje može oštetiti dijelove pećnice i posuđe, pa čak i dovesti do opekline kože.
9. Jaja u ljusci i cijela tvrdo kuhana jaja ne smiju se zagrijavati u mikrovalnim pećnicama jer mogu eksplodirati, čak i nakon završetka mikrovalnog zagrijavanja.
10. Prije kuhanja probušite hranu s teškom kožom poput krumpira, cijelih tikvica, jabuka i kestena.
11. Sadržaj bočica za hranjenje i posuda za hranu za bebe mora se promiješati ili protresti i provjeriti temperaturu prije konzumacije kako bi se izbjegle opeklinae.
12. Pribor za kuhanje može se zagrijati zbog topline koja se prenosi iz zagrijane hrane. Za rukovanje priborom možda će biti potrebni držači za lonce.
13. Pribor treba provjeriti i uvjeriti se da je prikladan za uporabu u mikrovalnoj pećnici.
14. **UPOZORENJE!** - Opasno je za bilo koga, osim za osposobljenu osobu, da izvrši bilo koji servis ili popravak koji uključuje uklanjanje pokrova koji pruža zaštitu od izlaganja mikrovalnoj energiji.
15. Ovaj proizvod je ISM oprema grupe 2 razreda B. Definicija skupine 2 koja sadrži svu ISM (industrijsku, znanstvenu i medicinsku) opremu u kojoj se namjerno stvara i/ili koristi radiofrekvencijska energija u obliku elektromagnetskog zračenja za obradu materijala i opreme za eroziju iskrenjem. Opremu klase B je oprema koja je prikladna za uporabu u kućanskim objektima i objektima koji su izravno priključeni na niskonaponsku mrežu za napajanje koja napaja zgrade koje se koriste u kućanske svrhe.
16. Ovaj uređaj nije namijenjen za upotrebu osobama (uključujući djecu) s ograničenim fizičkim, osjetnim ili mentalnim sposobnostima ili kojima nedostaju iskustvo i znanje, osim ako ih osoba odgovorna za njihovu sigurnost ne nadzire ili im ne proslijedi upute u vezi s upotrebom uređaja.
17. Potreban je nadzor nad djecom kako bi se osiguralo da se ne igraju uređajem.
18. Mikrovalna pećnica koristi se samo u samostojećem položaju.

19. **UPOZORENJE!** - Nemojte postavljati pećnicu na ploču za kuhanje ili drugi uređaj koji proizvodi toplinu jer bi se ugrađena pećnica mogla oštetiti i izgubiti pravo na jamstvo.
20. Mikrovalna pećnica ne smije se stavljati u ormarić.
21. **UPOZORENJE!** Uređaj i dostupni dijelovi postaju vrući tijekom uporabe.
22. **UPOZORENJE!** -- Dostupni dijelovi tijekom upotrebe mogu se jako zagrijati. Djeca se moraju držati dalje od uređaja.
23. Uređaj se tijekom uporabe zagrijava. Potrebno je paziti da ne dodirujete grijače elemente unutar pećnice, za pečenje u štednjaku i pećnici.
24. Temperatura dostupnih površina može biti visoka dok uređaj radi.
25. Uređaj se mora postaviti uza zid.
26. Uređaj ne smiju upotrebljavati djeca ili osobe sa smanjenim fizičkim, osjetilnim ili mentalnim sposobnostima, odnosno osobe s nedostatnim iskustvom i znanjem, osim ako nisu pod nadzorom ili su dobili upute.
27. **UPOZORENJE!** -- Ako su vrata ili brtve vrata oštećeni, pećnica se ne smije koristiti dok je ne popravi stručna osoba.
28. Uređaj nije namijenjen radu pomoću vanjskog vremenskog programatora ili zasebnog sustava na upravljanje na daljinu.
29. Mikrovalna pećnica namijenjena je samo za uporabu u kućanstvu, a ne za komercijalnu uporabu.
30. Ne uklanjajte odstojnik sa stražnje ili bočne strane, jer osigurava minimalnu udaljenost od zida za cirkulaciju zraka.
31. Učvrstite rotirajući pladanj prije pomicanja uređaja kako biste izbjegli oštećenja.
32. **OPREZ!** -- Opasno je popravljati ili održavati uređaj isključivo od strane stručnjaka jer se u tim okolnostima mora ukloniti poklopac koji osigurava zaštitu od mikrovalnog zračenja. To se odnosi i na promjenu kabela za napajanje ili rasvjete. U tim slučajevima pošaljite uređaj u naš servisni centar.
33. Mikrovalna pećnica namijenjena je samo odmrzavanju, kuhanju i parenju hrane.
34. Koristite rukavice ako uklanjate zagrijanu hranu.
35. Oprez! Para će izbiti prilikom otvaranja poklopaca ili omatanja folije.
36. Ovaj uređaj smiju upotrebljavati djeca starija od 8 godina i osobe sa smanjenim fizičkim, osjetilnim ili mentalnim sposobnostima ili nedostatkom iskustva i znanja ako su pod nadzorom ili su dobili upute u vezi sa sigurnom upotrebom uređaja te ako shvaćaju povezane opasnosti. Djeca se ne smiju igrati uređajem. Korisničko čišćenje i održavanje ne smiju obavljati djeca ako nisu starija od 8 godina i ako nisu pod nadzorom.
37. Ako se uređaj dimi, isključite ili odspojite ga i držite vrata zatvorena kako biste ugasili plamen.

# UPUTE ZA UGRADNJU

1. Pazite da uklonite sav materijal od ambalaže s unutarnje strane vrata.
2. **UPOZORENJE!** - Provjerite da u pećnici nema oštećenja kao što su nepodešena ili savijena vrata, oštećene brtve vrata i brtvena površina, slomljene ili labave šarke vrata te zasuni i udubljenja unutar šupljine ili na vratima. Ako ima bilo kakvih oštećenja, nemojte koristiti pećnicu već se obratite kvalificiranom serviseru.
3. Ova mikrovalna pećnica mora se postaviti na ravnu, stabilnu površinu kako bi zadržala svoju težinu i najtežu hranu koja će se vjerojatno kuhati u pećnici.
4. Ne stavljajte pećnicu na mjesta gdje se stvara toplina, vlaga ili visoka vlažnost ili u blizini zapaljivih materijala.
5. Za ispravan rad pećnica mora imati dovoljan protok zraka. Ostavite 20 cm prostora iznad pećnice, 10 cm straga i 5 cm s obje strane. Nemojte prekrivati ili zaklanjati otvore na uređaju. Ne uklanjajte noge.
6. Nemojte koristiti pećnicu bez staklene posude, nosača valjka i osovine u odgovarajućim položajima.
7. Pazite da kabel napajanja nije oštećen i da ne prolazi ispod pećnice ili preko vruće ili oštre površine.
8. Utičnica mora biti lako dostupna kako bi se mogla lako odspojiti u hitnim slučajevima.
9. Nemojte koristiti pećnicu na otvorenom.

# UPUTE ZA UZEMLJENJE

Ovaj uređaj mora biti uzemljen. Ova pećnica opremljena je kabelom koji ima vodič za uzemljenje s utikačem za uzemljenje. Mora se priključiti u zidnu utičnicu koja je pravilno instalirana i uzemljena. U slučaju kratkog spoja, uzemljenje smanjuje rizik od električnog udara osiguravanjem vodiča za odvod električne struje. Preporučuje se odvojeni strujni krug koji služi samo za pećnicu. Uporaba visokog napona je opasna i može dovesti do požara ili druge nezgode koja može uzrokovati oštećenje pećnice.

**UPOZORENJE!** - Nepravilna uporaba utikača s uzemljenjem može dovesti do opasnosti od električnog udara.

Napomena:

1. Ako imate bilo kakvih pitanja o uzemljenju ili električnim uputama, obratite se kvalificiranom električaru ili serviseru.
2. Ni proizvođač ni trgovac ne mogu prihvatiti nikakvu odgovornost za oštećenje pećnice ili tjelesne ozljede koje su posljedica nepoštivanja postupaka električnog povezivanja.

Boje vodiča u ovom mrežnom kabelu su u skladu sa sljedećim kodom:

**Zelena i žuta = UZEMLJENJE**

**Plava = NEUTRALNA**

**Smeđa = FAZA**

## **RADIJSKE SMETNJE**

Rad mikrovalne pećnice može uzrokovati smetnje radiju, TV-u ili sličnoj opremi. Kada postoji smetnja, ona se može smanjiti ili ukloniti poduzimanjem sljedećih mjera:

1. Očistite vrata i brtvenu površinu pećnice.
2. Preusmjerite prijemnu antenu radija ili televizije.
3. Premjestite mikrovalnu pećnicu u odnosu na prijemnik.
4. Odmaknite mikrovalnu pećnicu od prijemnika.
5. Uključite mikrovalnu pećnicu u drugu utičnicu tako da mikrovalna pećnica i prijemnik budu na različitim granama strujnog kruga.

## **PRIJE POZIVANJA SERVISA**

Provjerite svaku stavku u nastavku prije nego što zatražite servis:

- Provjerite je li pećnica dobro priključena. Ako nije, izvucite utikač iz utičnice, pričekajte 10 sekundi i ponovno ga čvrsto ukopčajte.
- Provjerite da nije pregorio osigurač strujnog kruga ili je li iskočio glavni prekidač strujnog kruga. Ako se čini da ispravno rade, ispitajte utičnicu drugim uređajem.
- Provjerite je li upravljačka ploča pravilno programirana i je li vremenski programator podešen.
- Provjerite jesu li vrata čvrsto zatvorena aktivirajući sustav zaključavanja vrata. Ako vrata nisu pravilno zatvorena, mikrovalna energija neće teći unutra.

**AKO NIŠTA OD NAVEDENOG NE ISPRAVI STANJE, OBRATITE SE KVALIFICIRANOM TEHNIČARU. NE POKUŠAVAJTE SAMI PODEŠAVATI ILI POPRAVLJATI PEĆNICU.**

## **TEHNIKE KUHANJA**

1. Pažljivo rasporedite hranu. Postavite najdeblja područja prema vanjskom dijelu jela.
2. Pazite na vrijeme kuhanja. Kuhajte najkraće naznačeno vrijeme i po potrebi dodajte još. Prejako kuhana hrana može se dimiti ili zapaliti.



3. Pokrijte hranu za vrijeme kuhanja. Prekrivači sprječavaju prskanje i pomažu u ravnomjernom kuhanju hrane.
4. Okrenite hranu jednom za vrijeme kuhanja u mikrovalnoj pećnici kako biste ubrzali kuhanje hrane poput piletine i hamburgera. Veliki predmeti poput pečenki moraju se okrenuti barem jednom.
5. Promijenite raspored hrane kao što su mesne okruglice na pola kuhanja odozgo prema dolje i od središta jela prema van.

## VODIČ ZA PRIBOR ZA KUHANJE

1. Mikrovalovi ne mogu prodrijeti u metal. Upotrebljavajte samo pribor koji je prikladan za upotrebu u mikrovalnim pećnicama. Metalne posude za hranu i pića nisu dopuštene tijekom mikrovalnog kuhanja. Ovaj zahtjev ne vrijedi ako proizvođač navede veličinu i oblik metalnih posuda prikladnih za kuhanje u mikrovalnoj pećnici.
  2. Mikrovalovi ne mogu prodrijeti u metal, pa se ne smije koristiti metalno posuđe ili posuđe s metalnim ukrasima.
  3. Prilikom kuhanja u mikrovalnoj pećnici nemojte koristiti proizvode od recikliranog papira jer mogu sadržavati male metalne fragmente koji mogu uzrokovati iskrenje i/ili požar.
  4. Preporučuje se okruglo/ovalno posuđe, a ne četvrtasto/duguljasto, jer se hrana u kutovima obično prekuha.
  5. Kako bi se spriječilo prejako kuhanje izloženih područja, mogu se koristiti uske trake od aluminijske folije. Ali pazite da ih ne upotrijebite previše i držite razmak od 2,54 cm između folije i šupljine.
- Popis u nastavku opći je vodič koji će vam pomoći u odabiru odgovarajućeg pribora.

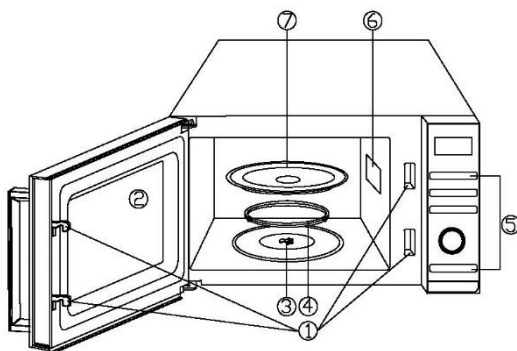
Posuđe za kuhanje	Kuhanje u mikrovalnoj pećnici
Staklo otporno na toplinu	Da
Staklo koje nije otporno na toplinu	Ne
Keramika otporna na toplinu	Da
Plastično posuđe za mikrovalnu pećnicu	Da
Kuhinjski papir	Da
Metalni pladanj	Ne
Metalni stalak	Ne
Spremnici od aluminijske folije i folije	Ne

# SPECIFIKACIJE

Potrošnja snage	230 - 240 V/ 50 HZ, 1200 W (mikrovalovi)
Snaga	700 W
Radna frekvencija	2450 MHz
Vanjske mjere	262 mm (V) x 452 mm (Š) x 346 mm (D)
Mjere unutrašnjosti pećnice	198 mm (V) x 315 mm (Š) x 297 mm (D)
Kapacitet pećnice	Kompaktna 20 litara
Neto težina	Oko 10,8 kg

# HEMA PROIZVODA

1. Sustav sigurnosnog zaključavanja vrata
2. Prozor pećnice
3. Vratilo
4. Prsten s kotačićima
5. Upravljačka ploča
6. Valovod  
(Nemojte uklanjati ploču tinjca koja pokriva valovod)
7. Stakleni pladanj



# UPRAVLJAČKA PLOČA



- **ZASLON**

Prikazuju se vrijeme kuhanja, snaga, indikatori i sat.

- **SNAGA** 

Pritisnite za podešavanje razine snage kuhanja u mikrovalnoj pećnici.

- **PODEŠAVANJE TEŽINE** 

Pritisnite za podešavanje težine hrane ili porcija.

- **BRZO ODMRZAVANJE Speed** 

Pritisnite za odmrzavanje hrane ovisno o vremenu.

- **AUTOMATSKO ODMRZAVANJE**

**Auto** 

Pritisnite za odmrzavanje hrane na temelju težine.

- **UNAPRIJED POSTAVLJENO** 

Koristite za podešavanje kasnijeg pokretanja pećnice.

- **SAT** 

Pritisnite za podešavanje točnog vremena.

- **IZBORNIK/VRIJEME**   (kotačić)

Okrenite za podešavanje vremena i odaberite izbornike automatskog kuhanja.



- **PAUZA/OTKAZIVANJE** **Cancel**

Pritisnite jednom za privremeno zaustavljanje kuhanja ili dvaput za potpuno otkazivanje kuhanja.



- **POČETAK/BRZI POČETAK** **Quick start**

Pritisnite za početak programa kuhanja i odmrzavanja.

Jednostavno ga pritisnite nekoliko puta kako biste podesili vrijeme kuhanja i odmah kuhajte na punoj razini snage.

# UPUTE ZA UPOTREBU

- Kad se pećnica prvi put spoji na napajanje, oglasit će se zvučni signal i na zaslonu će se prikazati "🔌" i "1:01".
- U postupku podešavanja pećnica će se vratiti u stanje pripravnosti nakon oko 30 sekundi.
- Ako tijekom kuhanja jednom pritisnete tipku za PAUZU/OTKAZIVANJE, program će se PAUZIRATI, a zatim pritisnete tipku za POČETAK/BRZI POČETAK za nastavak. Ali ako dvaput pritisnete tipku za PAUZU/OTKAZIVANJE, program će se poništiti.
- Nakon završetka pečenja, na zaslonu će se prikazati End i zvučni signal će se oglašavati svake dvije minute dok korisnik ne pritisne bilo koju tipku ili ne otvori vrata.

## PODEŠAVANJE SATA

Ovo je sat s 12-satnim ili 24-satnim prikazom vremena. Možete podesiti točno vrijeme u 12-satnom ili 24-satnom prikazu pritiskom na tipku SAT u stanju pripravnosti.

1. U stanju pripravnosti, pritisnite tipku SAT više puta za odabir 12-satnog ili 24-satnog prikaza.
2. Okrećite kotačić IZBORNIK/VRIJEME dok se ne prikaže točan sat.
3. Pritisnite tipku SAT jednom.
4. Okrećite kotačić IZBORNIK/VRIJEME dok se ne prikaže točna minuta.
5. Pritisnite tipku SAT za potvrdu.

**NAPOMENA:** Za vrijeme kuhanja možete provjeriti točno vrijeme pritiskom na tipku SAT.

## KUHANJE U MIKROVALNOJ PEĆNICI

1. U stanju pripravnosti pritisnite tipku za uključivanje/isključivanje više puta za odabir razine snage.
2. Okrenite kotačić IZBORNIK/VRIJEME za podešavanje vremena kuhanja. Najduže vrijeme je 95 minuta.
3. Pritisnite tipku POČETAK/BRZI POČETAK za potvrdu.

**Odaberite razinu SNAGE pritiskom tipke za NAPAJANJE:**

Pritisnite tipku za NAPAJANJE	Snaga (zaslon)	Pritisnite tipku za NAPAJANJE	Snaga (zaslon)
Jednom	100 % (100)	7 puta	40 % (40)
Dvaput	90 % (90)	8 puta	30 % (30)
3 puta	80 % (80)	9 puta	20 % (20)
4 puta	70 % (70)	10 puta	10 % (10)
5 puta	60 % (60)	11 puta	00 % (00)
6 puta	50 % (50)		

**NAPOMENA:** Za vrijeme kuhanja možete provjeriti trenutačnu razinu snage kuhanja pritiskom tipke za napajanje.

## EKSPRESNO KUHANJE

---

Upotrijebite ovu značajku za praktično programiranje pećnice za mikrovalnu pećnicu na 100 % snage. U stanju pripravnosti, a vrata pećnice su zatvorena, pritisnite tipku POČETAK/BRZI POČETAK više puta za podešavanje vremena kuhanja (svaki pritisak za povećanje od 30 sekundi i do 10 minuta), pećnica se odmah pokreće punom snagom.

## AUTOMATSKO ODMRZAVANJE

---

Vrijeme odmrzavanja i razina snage automatski se podešavaju nakon programiranja težine hrane. Težina smrznute hrane kreće se od 100 g do 1800 g.

1. U stanju pripravnosti jednom pritisnite tipku za AUTOMATSKO ODMRZAVANJE.
2. Više puta pritisnite tipku za PODEŠAVANJE TEŽINE kako biste odabrali težinu hrane.
3. Pritisnite tipku POČETAK/BRZI POČETAK za potvrdu.

**NAPOMENA:** Za vrijeme odmrzavanja sustav će pauzirati i oglasiti se kako bi podsjetio korisnika da okrene hranu, a zatim pritisnite tipku POČETAK/BRZI POČETAK za nastavak odmrzavanja.

## BRZINA ODMRZAVANJA

---

1. U pripravnom stanju jednom pritisnite tipku za BRZO ODMRZAVANJE.
2. Okrenite kotačić IZBORNİK/VRIJEME za podešavanje vremena odmrzavanja. Najduže vrijeme je 95 minuta.
3. Pritisnite tipku POČETAK/BRZI POČETAK za potvrdu.

**NAPOMENA:** Za vrijeme odmrzavanja sustav će pauzirati i oglasiti se kako bi podsjetio korisnika da okrene hranu, a zatim pritisnite tipku POČETAK/BRZI POČETAK za nastavak odmrzavanja.

## VIŠESTUPANJSKO KUHANJE

---

Vaša pećnica može se programirati za do 2 automatske sekvence kuhanja.

Pretpostavimo da želite podesiti sljedeći program kuhanja:

Kuhanje u mikrovalnoj pećnici



Kuhanje u mikrovalnoj pećnici (s nižom razinom snage)

1. Unesite prvi program kuhanja u mikrovalnoj pećnici. Nemojte pritisnuti tipku POČETAK/BRZI POČETAK.
2. Unesite drugi program kuhanja u mikrovalnoj pećnici.
3. Pritisnite tipku POČETAK/BRZI POČETAK za potvrdu.

**NAPOMENA:** Izbornici ekspresnog kuhanja, automatskog odmrzavanja, brzog odmrzavanja i automatskog kuhanja ne mogu se podesiti u višestupanjskom kuhanju.

## AUTOMATSKO ČIŠĆENJE

---

Stavite zdjelu s 300 g vode u pećnicu i zatvorite vrata.

1. U pripravnom stanju jednom okrenite kotačić IZBORNIK/VRIJEME u smjeru suprotnom od kazaljke na satu, a zatim okrećite kotačić dok se na zaslonu ne prikažu "CLE" i "AUTO".
2. Pritisnite tipku za PODEŠAVANJE TEŽINE jednom.
3. Pritisnite tipku POČETAK/BRZI POČETAK za početak.

**NAPOMENA:** Vrijeme čišćenja je 10 minuta.

## UNAPRIJED POSTAVLJENO

---

Ova funkcija omogućuje kasnije pokretanje pećnice.

1. U stanju pripravnosti unesite program kuhanja (osim ekspresnog kuhanja, automatskog odmrzavanja i brzog odmrzavanja).
2. Jednom pritisnite tipku PRESET.
3. Okrenite kotačić IZBORNIK/VRIJEME za podešavanje znamenke sata.
4. Jednom pritisnite tipku PRESET.
5. Okrenite kotačić IZBORNIK/VRIJEME za podešavanje znamenke minute.
6. Jednom pritisnite tipku POČETAK/BRZI POČETAK.

**NAPOMENA:** Vrijeme odbrojavanja možete provjeriti pritiskom tipke PRESET. Pritisnete li tipku PAUZA/OTKAZIVANJE kada se na zaslonu prikaže vrijeme, funkcija se može poništiti.

## SIGURNOSNA BLOKADA ZA DJECU

---

Sigurnosna blokada za djecu sprječava djeci uporabu bez nadzora.

Ulazak u sigurnosnu blokadu za djecu: U stanju pripravnosti, ako u roku od jedne minute ne dođe do rada, pećnica će automatski ući u način rada dječje blokade i uključiti će se indikator zaključavanja. U zaključanom stanju svi su gumbi onemogućeni.

Otkazivanje: U načinu rada za sigurnosnu blokadu za djecu jednom otvorite ili zatvorite vrata pećnice kako biste poništili program i indikator zaključavanja će se isključiti.

## AUTOMATSKO KUHANJE

Za sljedeću hranu ili način kuhanja nije potrebno programirati vrijeme i snagu kuhanja. Dovoljno je navesti vrstu hrane koju želite kuhati, kao i težinu ili porcije ove hrane.

1. U pripravnom stanju jednom okrenite kotačić IZBORNİK/VRIJEME ulijevo, na zaslону se prikazuje "A-01", a zatim nastavite okretati kotačić za odabir drugog koda hrane.
2. Više puta pritisnite tipku za PODEŠAVANJE TEŽINE kako biste podesili težinu hrane ili porcija.
3. Pritisnite tipku POČETAK/BRZI POČETAK za potvrdu.

### Izbornici automatskog kuhanja:

Kod	Hrana	Težina/količina	Napomena
A-01	Mlijeko/kava/čaj (200 ml/šalice, 1-3 šalice)	<b>1 šalica</b>	Na zaslону će se prikazati broj porcija umjesto težine hrane
		<b>2 šalice</b>	
		<b>3 šalice</b>	
A-02	Pizza	150 g	
		300 g	
		450 g	
A-03	Krumpir	100 g	
		200 g	
		300 g	
A-04	Automatsko podgrijavanje	200 g	
		300 g	
		400 g	
		500 g	
		600 g	
		700 g	
A-05	Riba	200 g	
		300 g	
		400 g	
		500 g	
		600 g	
A-06	Kokice	100 g	
A-07	Juha	200 g	
		400 g	
		600 g	
A-08	Kaša	50 g	
		100 g	
		150 g	
A-09	Svježe povrće	200 g	
		300 g	
		400 g	
		500 g	
		600 g	

A-10	Smrznuto povrće	200 g	
		300 g	
		400 g	
		500 g	
		600 g	
A-11	Riža	150 g	
		300 g	
		450 g	
		600 g	
A-12	Špageti/Tjestenina	100 g	
		200 g	
		300 g	
A-13	Smrznuta večera/obrok	250 g	
		500 g	
A-14	Automatsko čišćenje/ (izvedba bi bila kap vode puna unutrašnjosti šupljine)		

Rezultat automatskog kuhanja ovisi o čimbenicima kao što su oblik i veličina hrane, vaše osobne preferencije u pogledu čistoće određenih namirnica, pa čak i o tome koliko dobro stavljate hranu u pećnicu. Ako smatrate da rezultat nije sasvim zadovoljavajući, prilagodite vrijeme kuhanja malo u skladu s tim.

## ČIŠĆENJE I ODRŽAVANJE

1. Isključite pećnicu i odspojite kabel napajanja sa zida tijekom čišćenja.
2. Održavajte čistoću u unutrašnjosti pećnice. Kada hrana prska ili se prolivena tekućina prilijepi na zidove pećnice, obrišite vlažnom krpom. Ako se pećnica jako zaprlja, mogu se upotrijebiti blagi deterdženti. Izbjegavajte upotrebu spreja ili drugih grubih sredstava za čišćenje. Mogu zaprljati, razmazati ili zatupiti površinu vrata.
3. Vanjski dio pećnice treba očistiti vlažnom krpom. Kako bi se spriječilo oštećenje radnih dijelova unutar pećnice, ne smije se dopustiti da voda proдре u ventilacijske otvore.
4. Obrišite vrata i prozor s obje strane, brtve vrata i susjedne dijelove često vlažnom krpom kako biste uklonili sve mrlje ili mrlje. Nemojte koristiti abrazivno sredstvo za čišćenje.
5. Ne smije se upotrebljavati parni čistač.
6. Ne dopustite da se upravljačka ploča smoči. Očistite mekom, vlažnom krpom. Prilikom čišćenja upravljačke ploče ostavite vrata pećnice otvorena kako biste spriječili slučajno uključivanje pećnice.
7. Ako se para nakuplja unutar ili oko vrata pećnice, obrišite je mekom krpom. To se može dogoditi kada mikrovalna pećnica radi u uvjetima visoke vlažnosti. To je normalno.



8. Povremeno je potrebno ukloniti stakleni pladanj radi čišćenja. Operite pladanj u toploj vodi ili u perilici posuđa.
9. Prsten s kotačićima i pod pećnice treba redovito čistiti kako bi se izbjegla prekomjerna buka. Jednostavno obrišite donju površinu pećnice blagim deterdžentom. Prsten s kotačićima može se prati u blagoj vodi sa sapunicom ili u perilici posuđa. Prilikom uklanjanja prstena s kotačićima, obvezno ga vratite u pravilan položaj.
10. Uklonite neugodne mirise iz pećnice kombiniranjem šalice vode sa sokom i korom jednog limuna u posudi za mikrovalnu pećnicu. Uključite mikrovalove na 5 minuta. Dobro obrišite i osušite mekom krpom.
11. Ako žarulja prepri, obratite se službi za korisnike kako biste je zamijenili.
12. Pećnicu treba redovito čistiti i uklanjati naslage hrane. Neodržavanje pećnice čistom može dovesti do propadanja površine koje može negativno utjecati na vijek trajanja uređaja i možda dovesti do opasnog stanja.
13. Nemojte odlagati ovaj uređaj u kantu za komunalni otpad; treba ga odložiti u određeni centar za odlaganje koji osiguravaju komunalne službe.



Ovaj uređaj označen je u skladu s Europskom direktivom 2012/19/EU o otpadnoj električnoj i elektroničkoj opremi iz 2013. u pogledu električnih i elektroničkih uređaja (OEEO). Otpadna električna i elektronička oprema sadrži zagađivače (koji mogu imati negativan učinak na okoliš) i bazne elemente (koji se mogu ponovno upotrijebiti). Važno je posebno obraditi otpadnu električnu i elektroničku opremu da bi se ispravno uklonili i odložili onečišćivači i vratili svi materijali. Pojedinci mogu imati važnu ulogu u postizanju cilja da otpadna električna i elektronička oprema ne postane ekološki problem. Treba se pridržavati nekoliko osnovnih pravila:

- oprema OEEO ne smije se zbrinjavati kao kućanski otpad;
- opremu OEEO potrebno je odnijeti na namjenska područja za prikupljanje kojima upravlja gradsko vijeće ili registrirano poduzeće.

U mnogim državama, za veliku opremu OEEO dostupno je prikupljanje kućanskog otpada. Pri kupnji novog uređaja, stari uređaj možete vratiti prodavaču koji će ga preuzeti besplatno, samo ako je uređaj iste vrste ili ima jednake funkcije kao i kupljeni uređaj.