

CANDY

CMW20SMW
CMW20SMB

MICROWAVE OVENS <i>USER INSTRUCTIONS</i>	GB
HORNOS MICROONDAS <i>INSTRUCCIONES DE USO</i>	ES
FOURS À MICRO-ONDES <i>MODE D'EMPLOI</i>	FR
FORNI A MICROONDE <i>ISTRUZIONI PER L'USO</i>	IT
МИКРОВОЉНОВИ ФУРНИ <i>ИНСТРУКЦИИ ЗА ПОТРЕБИТЕЛЯ</i>	BG
MIKROVLNNÉ TROUBY <i>POKYNY PRO UŽIVATELE</i>	CS
MIKROVALNE PEČNICE <i>KORISNIČKE UPUTE</i>	HR
ΦΟΥΡΝΟΙ ΜΙΚΡΟΚΥΜΑΤΩΝ <i>ΟΔΗΓΙΕΣ ΧΡΗΣΤΗ</i>	EL
MIKROBANGŲ KROSNELĖS <i>NAUDOTOJO INSTRUKCIJOS</i>	LT
KUCHENKI MIKROFALOWE <i>INSTRUKCJE UŻYTKOWNIKA</i>	PL
FORNOS MICRO-ONDAS <i>INSTRUÇÕES PARA O UTILIZADOR</i>	PT
CUPTOARE CU MICROUNDE <i>INSTRUCȚIUNI DE UTILIZARE</i>	RO
MIKROVALASNE PEČNICE <i>UPUTSTVO ZA UPOTREBU</i>	SR
MIKROVLNNÉ RŮRY <i>NÁVOD NA POUŽITÍ</i>	SK
MIKROVALOVNE PEČICE <i>NAVODILA ZA UPORABO</i>	SL
MIKROWELLENOFEN <i>BEDIENUNGSANLEITUNG</i>	DE
MİKRODALGA FIRINLAR <i>KULLANICI TALİMATLARI</i>	TR
МИКРОВИЉЬОВИ ПЕЧИ <i>ИНСТРУКЦІЇ ДЛЯ КОРИСТУВАЧА</i>	UA
MIKROHULLÁMÚ SŰTŐK <i>HASZNÁLATI ÚTMUTATÓ</i>	HU
MIKROBØLGEOVNE <i>BRUGERVEJLEDNING</i>	DA
MIKROAALTOUNIT <i>KÄYTTÖOHJEET</i>	FI
MIKROBØLGEOVNER <i>BRUKSANVISNING</i>	NO
MIKROVÁGSUGNAR <i>BRUKSANVISNING</i>	SV
MIKROLAINEAHJUD <i>KASUTUSJUHEND</i>	ET
MIKROVIĻŅU KRĀSNIS <i>NORĀDĪJUMI LIETOTĀJAM</i>	LV

Microwave Oven
INSTRUCTION MANUAL
MODEL: CMW20SMW
CMW20SMB

Read these instructions carefully before using your microwave oven, and keep it carefully.

If you follow the instructions, your oven will provide you with many years of good service.

SAVE THESE INSTRUCTIONS CAREFULLY

PRECAUTIONS TO AVOID POSSIBLE EXPOSURE TO EXCESSIVE MICROWAVE ENERGY

(a) Do not attempt to operate this oven with the door open since this can result in harmful exposure to microwave energy. It is important not to break or tamper with the safety interlocks.

(b) Do not place any object between the oven front face and the door or allow soil or cleaner residue to accumulate on sealing surfaces.

(c) **WARNING:** If the door or door seals are damaged, the oven must not be operated until it has been repaired by a competent person.

ADDENDUM

If the apparatus is not maintained in a good state of cleanliness, its surface could be degraded and affect the lifespan of the apparatus and lead to a dangerous situation.

Specifications

Model:	CMW20SMW / CMW20SMB
Rated Voltage:	230V~ 50Hz
Rated Input Power(Microwave):	1050 W
Rated Output Power(Microwave):	700 W
Oven Capacity:	20 L
Turntable Diameter:	∅ 255 mm
External Dimensions:	439.5*357.5*258.2mm
Net Weight:	Approx.10.2kg

IMPORTANT SAFETY INSTRUCTIONS WARNING

To reduce the risk of fire, electric shock, injury to persons or exposure to excessive microwave oven energy when using your appliance, follow basic precautions, including the following:

1. Read and follow the specific: "PRECAUTIONS TO AVOID POSSIBLE EXPOSURE TO EXCESSIVE MICROWAVE ENERGY".
2. This appliance can be used by children aged from 8 years and above and persons with reduced physical, sensory or mental capabilities or lack of experience and knowledge if they have been given supervision or instruction concerning use of the appliance in a safe way and understand the hazards involved. Children shall not play with the appliance. Cleaning and user maintenance shall not be made by children without supervision.
3. Keep the appliance and its cord out of reach of children less than 8 years.
4. If the supply cord is damaged, it must be replaced by the manufacturer, its service agent or similarly qualified persons in order to avoid a hazard.
5. **WARNING:** Ensure that the appliance is switched off before replacing the lamp to avoid the possibility of electric shock.
6. **WARNING:** It is hazardous for anyone other than a competent person to carry out any service or repair operation that involves the removal of a cover which gives protection against exposure to microwave energy.

7. **WARNING:** Liquids and other foods must not be heated in sealed containers since they are liable to explode.
8. When heating food in plastic or paper containers, keep an eye on the oven due to the possibility of ignition.
9. Only use utensils that are suitable for use in microwave ovens.
10. If smoke is emitted, switch off or unplug the appliance and keep the door closed in order to stifle any flames.
11. Microwave heating of beverages can result in delayed eruptive boiling, therefore care must be taken when handling the container.
12. The contents of feeding bottles and baby food jars shall be stirred or shaken and the temperature checked before consumption, in order to avoid burns.
13. Eggs in their shell and whole hard-boiled eggs should not be heated in microwave ovens since they may explode, even after microwave heating has ended.
14. The oven should be cleaned regularly and any food deposits removed.
15. Failure to maintain the oven in a clean condition could lead to deterioration of the surface that could adversely affect the life of the appliance and possibly result in a hazardous situation.
16. The appliance must not be installed behind a decorative door in order to avoid overheating. (This is not applicable for appliances with decorative door.)
17. Only use the temperature probe recommended for this oven. (for ovens provided with a facility to use a temperature-sensing probe.)

18. The microwave oven shall not be placed in a cabinet unless it has been tested in a cabinet.
19. The microwave oven must be operated with the decorative door open. (for ovens with a decorative door.)
20. This appliance is intended to be used in household and similar applications such as:
 - staff kitchen areas in shops, offices and other working environments;
 - by clients in hotels, motels and other residential type environments;
 - farm houses;
 - bed and breakfast type environments.
21. The microwave oven is intended for heating food and beverages. Drying of food or clothing and heating of warming pads, slippers, sponges, damp cloth and similar may lead to risk of injury, ignition or fire.
22. Metallic containers for food and beverages are not allowed during microwave cooking.
23. The appliance shall not be cleaned with a steam cleaner.
24. The appliance is intended to be used freestanding.
25. The rear surface of appliances shall be placed against a wall.

**READ CAREFULLY AND KEEP FOR FUTURE
REFERENCE**

To Reduce the Risk of Injury to Persons Grounding Installation

DANGER

Electric Shock Hazard
Touching some of the internal components can cause serious personal injury or death. Do not disassemble this appliance.

WARNING

Electric Shock Hazard
Improper use of the grounding can result in electric shock. Do not plug into an outlet until appliance is properly installed and grounded.

This appliance must be grounded. In the event of an electrical short circuit, grounding reduces the risk of electric shock by providing an escape wire for the electric current. This appliance is equipped with a cord having a grounding wire with a grounding plug. The plug must be plugged into an outlet that is properly installed and grounded.

Consult a qualified electrician or serviceman if the grounding instructions are not completely understood or if doubt exists as to whether the appliance is properly grounded. If it is necessary to use an extension cord, use only a 3-wire extension cord.

1. A short power-supply cord is provided to reduce the risks resulting from becoming entangled in or tripping over a longer cord.
2. If a long cord set or extension cord is used:
 - 1)The marked electrical rating of the cord set or extension cord should be at least as great as the electrical rating of the appliance.
 - 2)The extension cord must be a grounding-type 3-wire cord.
 - 3)The long cord should be arranged so that it will not drape over the counter top or tabletop where it can be pulled on by children or tripped over unintentionally.

CLEANING

Be sure to unplug the appliance from the power supply.

1. Clean the cavity of the oven after using with a slightly damp cloth.
2. Clean the accessories in the usual way in soapy water.
3. The door frame and seal and neighbouring parts must be cleaned carefully with a damp cloth when they are dirty.
4. Do not use harsh abrasive cleaners or sharp metal scrapers to clean the oven door glass since they can scratch the surface, which may result in shattering of the glass.
5. Cleaning Tip---For easier cleaning of the cavity walls that the food cooked can touch: Place half a lemon in a bowl, add 300ml (1/2 pint) water and heat on 100% microwave power for 10 minutes. Wipe the oven clean using a soft, dry cloth.

UTENSILS

CAUTION

Personal Injury Hazard

It is hazardous for anyone other than a competent person to carry out any service or repair operation that involves the removal of a cover which gives protection against exposure to microwave energy.

See the instructions on "Materials you can use in microwave oven or to be avoided in microwave oven."

There may be certain non-metallic utensils that are not safe to use for microwaving. If in doubt, you can test the utensil in question following the procedure below.

Utensil Test:

1. Fill a microwave-safe container with 1 cup of cold water (250ml) along with the utensil in question.
2. Cook on maximum power for 1 minute.
3. Carefully feel the utensil. If the empty utensil is warm, do not use it for microwave cooking.
4. Do not exceed 1 minute cooking time.

Materials you can use in microwave oven

Utensils	Remarks
Browning dish	Follow manufacturer's instructions. The bottom of browning dish must be at least 3/16 inch (5mm) above the turntable. Incorrect usage may cause the turntable to break.
Dinnerware	Microwave-safe only. Follow manufacturer's instructions. Do not use cracked or chipped dishes.
Glass jars	Always remove lid. Use only to heat food until just warm. Most glass jars are not heat resistant and may break.
Glassware	Heat-resistant oven glassware only. Make sure there is no metallic trim. Do not use cracked or chipped dishes.
Oven cooking bags	Follow manufacturer's instructions. Do not close with metal tie. Make slits to allow steam to escape.
Paper plates and cups	Use for short-term cooking/warming only. Do not leave oven unattended while cooking.
Paper towels	Use to cover food for reheating and absorbing fat. Use with supervision for a short-term cooking only.
Parchment paper	Use as a cover to prevent splattering or a wrap for steaming.
Plastic	Microwave-safe only. Follow the manufacturer's instructions. Should be labeled "Microwave Safe". Some plastic containers soften, as the food inside gets hot. "Boiling bags" and tightly closed plastic bags should be slit, pierced or vented as directed by package.
Plastic wrap	Microwave-safe only. Use to cover food during cooking to retain moisture. Do not allow plastic wrap to touch food.
Thermometers	Microwave-safe only (meat and candy thermometers).
Wax paper	Use as a cover to prevent splattering and retain moisture.

Materials to be avoided in microwave oven

Utensils	Remarks
Aluminum tray	May cause arcing. Transfer food into microwave-safe dish.
Food carton with metal handle	May cause arcing. Transfer food into microwave-safe dish.
Metal or metal-trimmed utensils	Metal shields the food from microwave energy. Metal trim may cause arcing.
Metal twist ties	May cause arcing and could cause a fire in the oven.
Paper bags	May cause a fire in the oven.
Plastic foam	Plastic foam may melt or contaminate the liquid inside when exposed to high temperature.
Wood	Wood will dry out when used in the microwave oven and may split or crack.

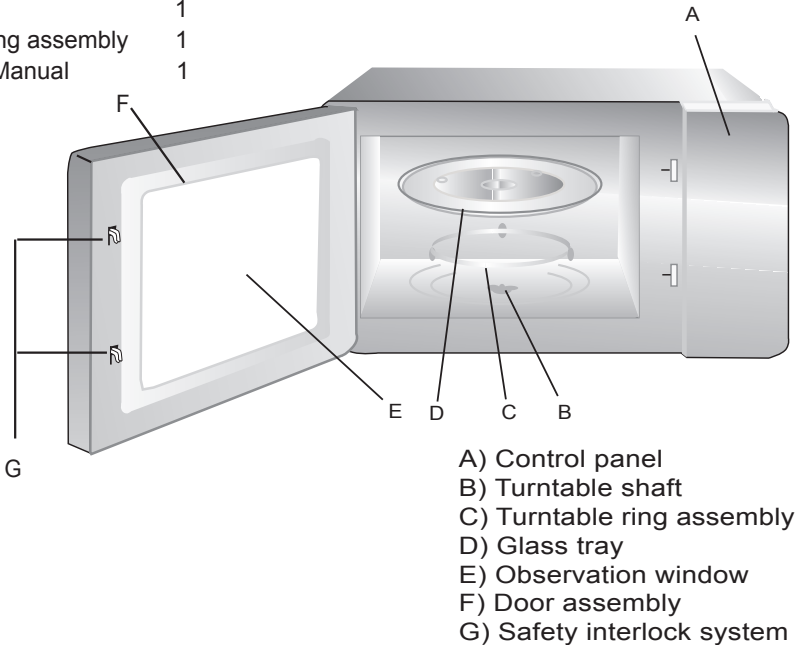
SETTING UP YOUR OVEN

Names of Oven Parts and Accessories

Remove the oven and all materials from the carton and oven cavity.

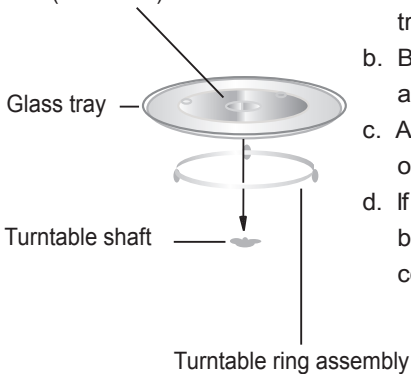
Your oven comes with the following accessories:

Glass tray	1
Turntable ring assembly	1
Instruction Manual	1



Turntable Installation

Hub (underside)



- Never place the glass tray upside down. The glass tray should never be restricted.
- Both glass tray and turntable ring assembly must always be used during cooking.
- All food and containers of food are always placed on the glass tray for cooking.
- If glass tray or turntable ring assembly cracks or breaks, contact your nearest authorized service center.

Countertop Installation

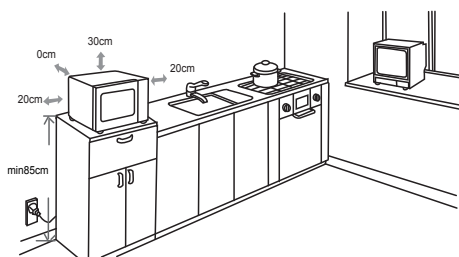
Remove all packing material and accessories. Examine the oven for any damage such as dents or broken door. Do not install if oven is damaged.

Cabinet: Remove any protective film found on the microwave oven cabinet surface.

Do not remove the light brown Mica cover that is attached to the oven cavity to protect the magnetron.

Installation

1. Select a level surface that provide enough open space for the intake and/or outlet vents.



(1) The minimum installation height is 85cm.

(2) The rear surface of appliance shall be placed against a wall.

Leave a minimum clearance of 30cm above the oven, a minimum clearance of 20cm is required between the oven and any adjacent walls.

(3) Do not remove the legs from the bottom of the oven.

(4) Blocking the intake and/or outlet openings can damage the oven.

(5) Place the oven as far away from radios and TV as possible. Operation of microwave oven may cause interference to your radio or TV reception.

2. Plug your oven into a standard household outlet. Be sure the voltage and the frequency is the same as the voltage and the frequency on the rating label.

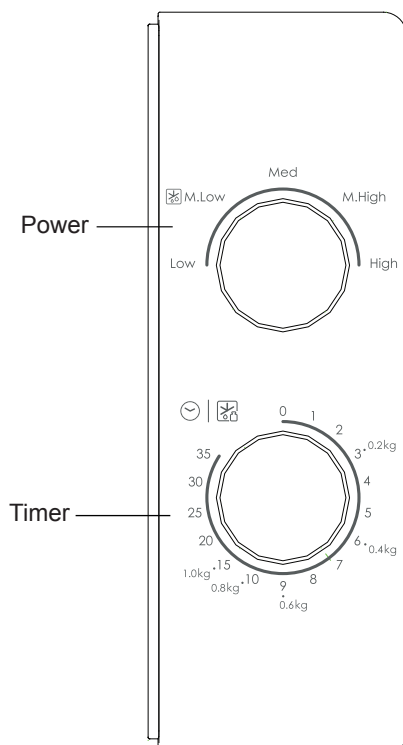
WARNING: Do not install oven over a range cooktop or other heat-producing appliance. If installed near or over a heat source, the oven could be damaged and the warranty would be void.

The accessible surface may be hot during operation.



OPERATION

Control Panel and Features Operation Instructions



1. To set cooking power by turning the power knob to desired level.
2. To set the time of cooking by turning the timer knob to desired time per your food cooking guide.
3. The microwave oven will automatically start cooking after power level and time are set.
4. After the cooking time is up, the unit will "Dong" to stop.
5. If the unit is not in use, always set time to "0".

Function/Power	Output	Application
Low	119W	Soften ice cream
Med. Low (Defrost)	231W	Soup stew, soften butter or defrost
Med.	385W	Stew, fish
Med. High	539W	Rice, fish, chicken, ground meat
High	700W	Reheat, milk, boil water, vegetables, beverage

Notice: When removing food from the oven, please ensure that the oven power is switched off by turning the timer switch to 0 (zero). Failure to do so, and operating the microwave oven without food in it, can result in overheating and damage to the magnetron.

Trouble shooting

Normal	
Microwave oven interfering TV reception	Radio and TV reception may be interfered when microwave oven operating. It is similar to the interference of small electrical appliances, like mixer, vacuum cleaner, and electric fan. It is normal.
Dim oven light	In low power microwave cooking, oven light may become dim. It is normal.
Steam accumulating on door, hot air out of vents	In cooking, steam may come out of food. Most will get out from vents. But some may accumulate on cool place like oven door. It is normal.
Oven started accidentally with no food in.	It is forbidden to run the unit without any food inside. It is very dangerous.

Trouble	Possible Cause	Remedy
Oven can not be started.	(1) Power cord not plugged in tightly.	Unplug. Then plug again after 10 seconds.
	(2) Fuse blowing or circuit breaker works.	Replace fuse or reset circuit breaker (repaired by professional personnel of our company)
	(3) Trouble with outlet.	Test outlet with other electrical appliances.
Oven does not heat.	(4) Door not closed well.	Close door well.



This appliance is labelled in accordance with European Directive 2012/19/EU on Waste Electrical and Electronic Equipment Regulations 2013 regarding electric and electronic appliances (WEEE). The WEEE contain both polluting substances (that can have a negative effect on the environment) and base elements (that can be reused). It is important that the WEEE undergo specific treatments to correctly remove and dispose of the pollutants and recover all the materials. Individuals can play an important role in ensuring that the WEEE do not become an environmental problem; it is essential to follow a few basic rules:

- the WEEE should not be treated as domestic waste;
- the WEEE should be taken to dedicated collection areas managed by the town council or a registered company.

In many countries, domestic collections may be available for large WEEEs. When you buy a new appliance, the old one can be returned to the vendor who must **accept it free of charge as a one-off**, as long as the appliance is of an equivalent type and has the same functions as the purchased appliance.



Horno microondas

MANUAL DE INSTRUCCIONES

**MODELO: CMW20SMW
CMW20SMB**

Lea atentamente estas instrucciones antes de utilizar su horno microondas y guárdelas en un lugar seguro y accesible.

Si sigue las instrucciones, su horno le proporcionará un funcionamiento satisfactorio durante muchos años.

GUARDE CUIDADOSAMENTE ESTAS INSTRUCCIONES

PRECAUCIONES PARA EVITAR UNA POSIBLE EXPOSICIÓN A UN EXCESO DE ENERGÍA DE MICROONDAS

(a) No intente hacer funcionar este horno con la puerta abierta, ya que esto puede provocar una exposición perjudicial a la energía de las microondas. Es importante no romper o manipular los mecanismos de cierre de seguridad.

(b) No coloque ningún objeto entre la parte frontal del horno y la puerta ni permita que se acumulen restos de suciedad o de productos limpiadores en las superficies de las juntas.

(c) ADVERTENCIA: Si la puerta o las juntas de la puerta están dañadas, no debe utilizarse el horno hasta que un técnico competente lo haya reparado.

NOTA

Si el aparato no se mantiene en buen estado de limpieza, su superficie podría degradarse y afectar a la vida útil del aparato y provocar una situación peligrosa.

Especificaciones

Modelo:	CMW20SMW / CMW20SMB
Tensión nominal:	230 V~50 Hz
Potencia nominal de entrada (microondas):	1050 W
Potencia nominal de salida (microondas):	700 W
Capacidad del horno:	20 L
Diámetro del plato giratorio:	Ø 255 mm
Dimensiones exteriores:	439.5*357.5*258.2mm
Peso neto:	Aprox. 10.2 kg

ADVERTENCIA DE SEGURIDAD IMPORTANTE

Para reducir el riesgo de incendio, de descarga eléctrica, de lesiones personales o de exposición a un exceso de energía del horno microondas mientras utiliza el aparato, siga las precauciones básicas, incluyendo las siguientes:

1. Lea y siga las siguientes indicaciones:
"PRECAUCIONES PARA EVITAR UNA POSIBLE EXPOSICIÓN A UN EXCESO DE ENERGÍA DE MICROONDAS".
2. Este electrodoméstico puede ser utilizado por niños a partir de 8 años y por personas con capacidades físicas, sensoriales o mentales reducidas, o sin experiencia o conocimientos previos, siempre y cuando hayan recibido la supervisión y las instrucciones necesarias para utilizar el electrodoméstico de forma segura y comprendan los riesgos que implica. Los niños no deben jugar con este electrodoméstico. Las operaciones de limpieza y mantenimiento no deben ser realizadas por niños sin supervisión.
3. Mantenga el aparato y su cable fuera del alcance de los niños menores de 8 años.
4. Si el cable de alimentación está dañado, debe ser sustituido por el fabricante, por su servicio técnico o por cualquier profesional cualificado similar para evitar riesgos.
5. **ADVERTENCIA:** Para evitar la posibilidad de descargas eléctricas, asegúrese de que el electrodoméstico esté apagado antes de cambiar la bombilla.
6. **ADVERTENCIA:** Es peligroso que alguien que no sea una persona competente lleve a cabo cualquier tarea de mantenimiento o reparación que implique la retirada de una cubierta que proteja de la exposición a la energía de microondas.

7. **ADVERTENCIA:** No se deben calentar líquidos ni otros alimentos en recipientes cerrados, ya que pueden explotar.
8. Cuando caliente alimentos en recipientes de plástico o papel, vigile el horno por la posibilidad de que se inflamen.
9. Utilice únicamente utensilios aptos para su uso en hornos microondas.
10. Si se genera humo, apague o desenchufe el aparato y mantenga la puerta cerrada para apagar las posibles llamas.
11. Calentar las bebidas en el microondas puede provocar una ebullición retardada, por lo que hay que tener cuidado al manipular el recipiente.
12. Antes de consumir el contenido de los biberones y de los tarros de comida para bebés, hay que removerlo o agitarlo y comprobar su temperatura, para evitar quemaduras.
13. Los huevos con cáscara y los huevos duros enteros no deben calentarse en los hornos microondas, ya que pueden explotar, incluso después de haber terminado de calentarlos.
14. El horno debe limpiarse regularmente y eliminar cualquier resto de alimento.
15. No mantener el horno en buenas condiciones de limpieza podría provocar un deterioro de la superficie que podría afectar negativamente a la vida útil del aparato y posiblemente provocar una situación de peligro.
16. Para evitar sobrecalentamientos, este electrodoméstico no debe instalarse detrás de una puerta decorativa. (Esto no es aplicable para electrodomésticos con puerta decorativa).
17. Utilice únicamente la sonda de temperatura recomendada para este horno. (Para hornos provistos de una instalación para el uso de una sonda de detección de temperatura).

18. El horno microondas no debe colocarse en un armario, a menos que se haya sometido a ensayo en un armario.
19. El horno microondas debe ser manejado con la puerta decorativa abierta. (Para hornos con puerta decorativa).
20. Este aparato está diseñado para su uso doméstico y para aplicaciones similares, tales como:
 - Cocinas para personal en tiendas, oficinas y otros entornos de trabajo.
 - El uso por clientes en hoteles, moteles y otros entornos de tipo residencial.
 - Fincas agrícolas.
 - Alojamientos turísticos del tipo "bed and breakfast".
21. El horno microondas está destinado a calentar alimentos y bebidas. El secado de alimentos o ropa y el calentamiento de almohadillas térmicas, pantuflas, esponjas, paños húmedos y similares pueden provocar lesiones, ignición o incendio.
22. No se permite el uso de recipientes metálicos para alimentos y bebidas durante la cocción al microondas.
23. El aparato no debe limpiarse con un limpiador a vapor.
24. El aparato está diseñado para ser usado de forma independiente.
25. La superficie posterior de los aparatos debe colocarse contra una pared.

**LEER CON ATENCIÓN Y GUARDAR PARA
FUTURAS CONSULTAS**

Instalación de la toma de tierra para reducir el riesgo de lesiones a las personas

PELIGRO

Peligro de descarga eléctrica
Tocar algunos de los componentes internos puede causar graves lesiones personales o la muerte.
No desmonte este aparato.

ADVERTENCIA

Peligro de descarga eléctrica
El uso inadecuado de la toma de tierra puede provocar una descarga eléctrica.

No lo enchufe en una toma de corriente hasta que el aparato esté correctamente instalado y conectado a tierra.

Este electrodoméstico debe ser puesto a tierra. En el caso de un cortocircuito eléctrico, la conexión a tierra reduce el riesgo de descarga eléctrica al proporcionar un cable de fuga para la corriente eléctrica.

Este electrodoméstico está equipado con un cable con un conductor de puesta a tierra del equipo y el enchufe correspondiente. El enchufe debe conectarse a una toma de corriente correctamente instalada y con puesta a tierra.

Consulte a un electricista o técnico cualificado si las instrucciones de conexión a tierra no se entienden completamente o si existen dudas sobre si el aparato está correctamente conectado a tierra. Si es necesario utilizar un cable alargador, utilice solo un cable de 3 hilos.

1. Se proporciona un cable de alimentación corto para reducir los riesgos que se producen al enredarse o tropezar con un cable más largo.
2. Si se utiliza un juego de cables largos o un alargador:
 - 1) La capacidad eléctrica indicada del cable o alargador debe ser como mínimo igual a la capacidad eléctrica del aparato.
 - 2) El cable alargador debe ser un cable de 3 hilos con conexión a tierra.
 - 3) El cable largo debe colocarse de forma que no cuelgue sobre la encimera o el tablero de la mesa, donde los niños puedan tirar de él o tropezar con él involuntariamente.

LIMPIEZA

Asegúrese de desenchufar el aparato de la red eléctrica.

1. Tras el uso, limpie la cavidad de cocinado del horno con un paño ligeramente húmedo.
2. Limpie los accesorios de la forma habitual con agua y jabón.
3. El marco y la junta de la puerta, así como las piezas adyacentes, deben limpiarse bien con un paño húmedo si están sucios.
4. No utilice limpiadores abrasivos o raspadores metálicos afilados para limpiar el cristal de la puerta del horno, ya que pueden rayar la superficie, lo que puede provocar la rotura del cristal.
5. Consejo de limpieza---Para facilitar la limpieza de las paredes de la cavidad que pueden tocar los alimentos cocinados: Ponga medio limón en un bol, añada 300 ml de agua y caliéntelo al 100% de potencia en el microondas durante 10 minutos. Limpie el horno con un paño suave y seco.

UTENSILIOS

PRECAUCIÓN

Peligro de lesiones personales

Es peligroso que alguien que no sea una persona competente lleve a cabo cualquier tarea de mantenimiento o reparación que implique la retirada de una cubierta que proteja de la exposición a la energía de microondas.

Consulte las instrucciones de "Materiales que puede utilizar en el horno microondas o que debe evitar en el horno microondas". Es posible que haya ciertos utensilios no metálicos que no sean seguros para usar en el microondas. En caso de duda, puede probar el utensilio en cuestión siguiendo el procedimiento que se indica a continuación.

Comprobación del utensilio:

1. Llene un recipiente apto para el microondas con 1 taza de agua fría (250 ml) junto con el utensilio en cuestión.
2. Cocine a potencia máxima durante 1 minuto.
3. Con cuidado, toque el utensilio. Si el utensilio vacío está caliente, no lo utilice para cocinar en el microondas.
4. No supere el tiempo de cocción de 1 minuto.

Materiales que se pueden utilizar en el horno microondas

Utensilios	Observaciones
Plato para dorar	Siga las instrucciones del fabricante. El fondo del plato para dorar debe quedar de al menos 3/16 pulgadas (5 mm) por encima del plato giratorio. El uso incorrecto puede causar que el plato giratorio se rompa.
Vajilla	Solo apto para microondas. Siga las instrucciones del fabricante. No utilice platos agrietados o astillados.
Frascos de vidrio	Quite siempre la tapa. Utilícelos sólo para calentar ligeramente los alimentos. La mayoría de los frascos de vidrio no son resistentes al calor y pueden romperse.
Cristalería	Sólo cristalería de horno resistente al calor. Asegúrese de que no tengan adornos metálicos. No utilice platos agrietados o astillados.
Bolsas de cocción para el horno	Siga las instrucciones del fabricante. No las cierre con bridas metálicas. Abra hendiduras para permitir que salga el vapor.
Platos y tazas de papel	Utilícelas sólo para cocinar/calentar durante un breve periodo de tiempo. No deje el horno sin vigilancia mientras cocina.
Servilletas de papel	Utilizar para cubrir los alimentos para recalentarlos y absorber la grasa. Utilizar con supervisión sólo para una cocción de corta duración.
Papel de pergamino	Utilícelo a modo de tapa para evitar salpicaduras o como envoltorio para cocinar al vapor.
Plástico	Solo apto para microondas. Siga las instrucciones del fabricante. Debe estar etiquetado como "Seguro para microondas". Algunos recipientes de plástico se reblandecen al calentarse los alimentos de su interior. "En las bolsas de ebullición" y en las bolsas de plástico cerradas herméticamente se deben hacer cortes, perforaciones o aberturas de ventilación según las indicaciones del envase.
Envoltorio de plástico	Solo apto para microondas. Utilizar para cubrir los alimentos durante la cocción para retener la humedad. No permita que el envoltorio de plástico toque los alimentos.
Termómetros	Sólo aptos para microondas (termómetros para carne y caramelo).
Papel de cera	Utilizar a modo de tapa para evitar las salpicaduras y retener la humedad.

Materiales que deben evitarse en el horno microondas

Utensilios	Observaciones
Bandeja de aluminio	Puede provocar un arco eléctrico. Cambie los alimentos a un plato apto para microondas.
Envase de cartón para alimentos con asa metálica	Puede provocar un arco eléctrico. Cambie los alimentos a un plato apto para microondas.
Utensilios de metal o con adornos metálicos	El metal protege los alimentos de la energía de las microondas. Los adornos metálicos pueden provocar la formación de arcos eléctricos.
Bridas de metal	Puede provocar un arco eléctrico y causar fuego en el horno.
Bolsas de papel	Puede provocar fuego en el horno.
Espuma plástica	La espuma plástica puede derretirse o contaminar el líquido interior cuando se expone a altas temperaturas.
Madera	Al utilizarla en el horno microondas, la madera se seca y puede partirse o agrietarse.

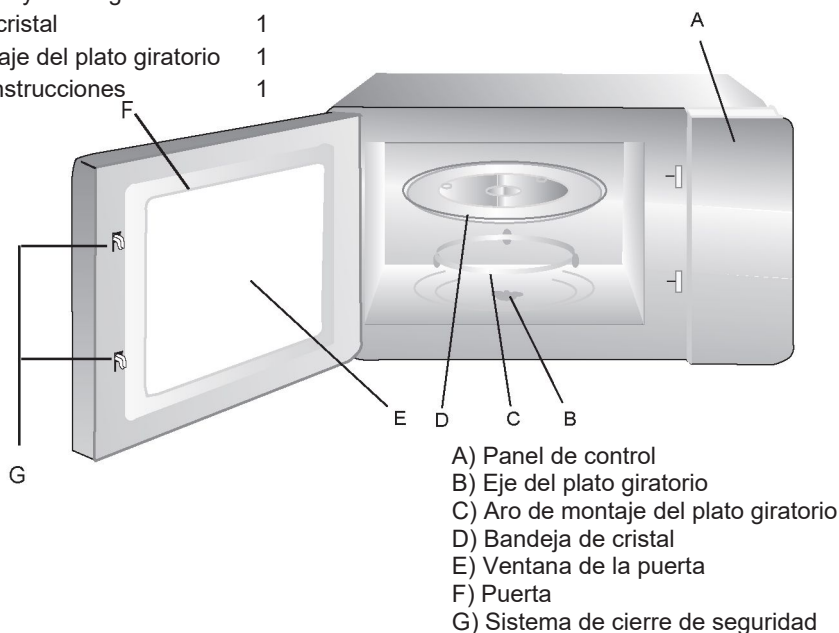
CONFIGURACIÓN DEL HORNO

Nombres de las piezas y accesorios del horno

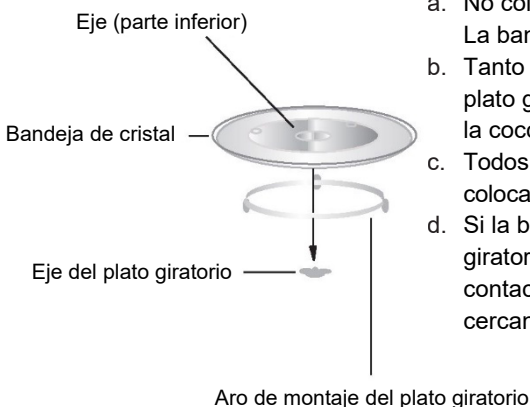
Saque el horno y todos los materiales de la caja y de la cavidad de cocción del horno.

Su horno incluye los siguientes accesorios:

Bandeja de cristal	1
Aro de montaje del plato giratorio	1
Manual de instrucciones	1



Instalación del plato giratorio



- No coloque nunca la bandeja de cristal boca abajo. La bandeja de cristal nunca debe quedar atascada.
- Tanto la bandeja de cristal como el aro de montaje del plato giratorio deben utilizarse siempre durante la cocción.
- Todos los alimentos y recipientes de comida deben colocarse siempre en la bandeja de cristal para cocinar.
- Si la bandeja de cristal o el aro de montaje del plato giratorio se agrietan o se rompen, póngase en contacto con el servicio técnico autorizado más cercano.

Instalación en encimeras

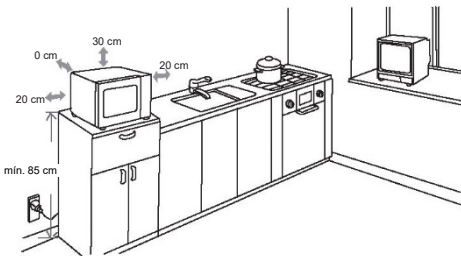
Retire todos los materiales de embalaje y accesorios. Examine el horno para ver si presenta algún daño, como abolladuras o la puerta rota. No instale el horno si está dañado.

Mueble: Retire cualquier película protectora que se encuentre en la superficie del mueble del microondas.

No retire la cubierta de mica marrón claro que está adherida a la cavidad del horno para proteger el magnetrón.

Instalación

1. Seleccione una superficie nivelada que proporcione suficiente espacio abierto para las ventilaciones de entrada y/o salida.



(1) La altura mínima de instalación es de 85 cm.

(2) La superficie posterior del aparato debe colocarse contra una pared.

Deje un espacio libre de como mínimo 30 cm por encima del horno, se requiere un espacio mínimo de 20 cm entre el horno y las paredes adyacentes.

(3) No retire las patas del fondo del horno.

(4) El bloqueo de las aberturas de entrada y/o salida pueden dañar el horno.

(5) Coloque el horno lo más lejos posible de radios y TV. El funcionamiento del horno microondas puede causar interferencias en la recepción de su radio o televisión.

2. Enchufe el horno a un enchufe estándar para el hogar. Asegúrese de que el voltaje y la frecuencia sean los mismos que el voltaje y la frecuencia en la etiqueta de clasificación.

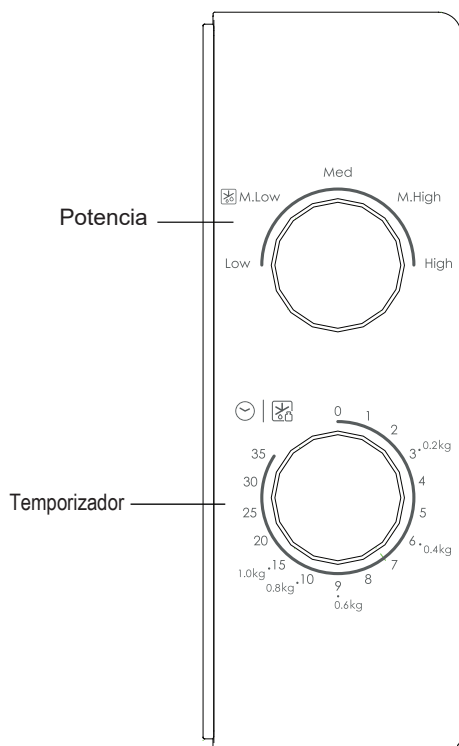
ADVERTENCIA: No instale el horno sobre una placa de cocción u otros aparatos generadores de calor. Si se instala cerca o sobre una fuente de calor, el horno podría dañarse y la garantía quedaría anulada.

La superficie que queda accesible puede calentarse durante el funcionamiento.



FUNCIONAMIENTO

Instrucciones de funcionamiento del panel de control y características



1. Ajuste la potencia de cocción girando el selector de potencia hasta el nivel deseado.
2. Ajuste el tiempo de cocción girando el selector de tiempo hasta el tiempo deseado según la guía de cocción de alimentos.
3. El horno microondas empezará a cocinar automáticamente después de que el nivel de potencia y el tiempo estén ajustados.
4. Una vez transcurrido el tiempo de cocción, la unidad se detendrá y emitirá un sonido.
5. Si la unidad no está en uso, ajuste siempre el tiempo a "0".

Función/potencia	Salida	Aplicación
Low	119 W	Ablandar helado
M. Low (Descongelar)	231 W	Sopas, guisos, ablandar mantequilla o descongelar
Med.	385 W	Guisos, pescado
M. High	539 W	Arroz, pescado, pollo, carne picada
High	700 W	Recalentar, leche, hervir agua, verduras, bebidas

Nota: Al retirar los alimentos del horno, asegúrese de que la alimentación del horno esté apagada girando el interruptor del temporizador a 0 (cero). Si no lo hace, y si utiliza el horno microondas sin alimentos dentro, puede provocar un sobrecalentamiento y daños en el magnetrón.

Resolución de problemas

Normal	
El horno microondas interfiere en la recepción de la televisión	La recepción de radio y televisión puede verse afectada cuando el horno microondas está en funcionamiento. Se trata de una interferencia similar a la que causan los pequeños electrodomésticos, como la batidora, la aspiradora y el ventilador eléctrico. Se trata de algo normal.
Luz del horno tenue	En la cocción con el horno microondas a baja potencia, es posible que la luz del horno se atenúe. Se trata de algo normal.
Acumulación de vapor en la puerta, salida de aire caliente por las rejillas de ventilación	Al cocinar, puede salir vapor de los alimentos. La mayoría del vapor sale por las rejillas de ventilación. Pero puede acumularse algo de vapor en un lugar más frío, como la puerta del horno. Se trata de algo normal.
El horno se pone en marcha accidentalmente sin comida dentro.	Queda prohibido hacer funcionar la unidad sin ningún alimento en su interior. Es muy peligroso.

Problema	Causa posible	Solución
El horno no se puede poner en marcha.	(1) El cable de alimentación no está bien enchufado.	Desenchúfelo. Vuelva a enchufarlo transcurridos 10 segundos.
	(2) Salta el fusible o el disyuntor del circuito.	Sustituya el fusible o restablezca el disyuntor de circuito (reparado por personal profesional de nuestra empresa)
	(3) Problemas con la toma de corriente.	Pruebe la toma de corriente con otros aparatos eléctricos.
El horno no calienta.	(4) La puerta no está bien cerrada.	Cierre bien la puerta.



Este electrodoméstico está etiquetado de acuerdo con la Directiva europea 2012/19/UE sobre Residuos de Aparatos Eléctricos y Electrónicos 2013 sobre aparatos eléctricos y electrónicos (RAEE). Los RAEE contienen tanto sustancias contaminantes (que pueden tener un efecto negativo en el medio ambiente) como elementos básicos (que pueden reutilizarse). Es importante que los RAEE se sometan a tratamientos específicos para desechar y eliminar correctamente los contaminantes y recuperar todos los materiales reutilizables. Las personas desempeñan un papel clave a la hora de garantizar que los RAEE no se conviertan en un problema medioambiental. Para ello, es esencial seguir algunas normas básicas:

- Los RAEE no deben recibir el mismo tratamiento que los residuos domésticos.
- Los RAEE deben llevarse a áreas de recolección específicas gestionadas por el ayuntamiento o por una empresa registrada.

En muchos países puede haber servicios de recogida a domicilio para RAEE de gran tamaño. Al comprar un electrodoméstico nuevo, el antiguo puede devolverse al proveedor (que debe aceptarlo de forma gratuita) siempre y cuando el electrodoméstico antiguo tenga características similares y sea de un tipo equivalente al electrodoméstico adquirido.



Four à micro-ondes

MANUEL D'INSTRUCTIONS

MODÈLE : CMW20SMW
CMW20SMB

Veillez lire attentivement les instructions de ce manuel avant d'utiliser votre four à micro-ondes, et conservez-le en lieu sûr.

Si vous suivez les instructions, votre four vous servira pendant de nombreuses années.

CONSERVEZ CES INSTRUCTIONS DANS UN LIEU SÛR

PRÉCAUTIONS À PRENDRE POUR ÉVITER UNE EXPOSITION ÉVENTUELLE À UNE ÉNERGIE EXCESSIVE DUE AUX MICRO-ONDES

(a) N'essayez pas de faire fonctionner ce four avec la porte ouverte, car cela peut entraîner une exposition nocive à l'énergie micro-ondes. Il est important de ne pas briser ou altérer les verrouillages de sécurité.

(b) Ne placez aucun objet entre la face avant du four et la porte et ne laissez pas de saleté ou de résidus de nettoyant s'accumuler sur les surfaces d'étanchéité.

(c) **AVERTISSEMENT** : Si la porte ou les joints de porte sont endommagés, le four ne doit pas être utilisé tant qu'il n'a pas été réparé par une personne compétente.

ADDENDUM

Si l'appareil n'est pas conservé dans un bon état de propreté, sa surface pourrait se dégrader et affecter la durée de vie de l'appareil et conduire à une situation dangereuse.

Caractéristiques

Modèle :	CMW20SMW/CMW20SMB
Tension nominale :	230 V~ 50 Hz
Puissance d'entrée nominale (micro-ondes) :	1 050 W
Puissance de sortie nominale (micro-ondes) :	700 W
Capacité du four :	20 l
Diamètre du plateau tournant :	Ø 255 mm
Dimensions extérieures :	439.5*357.5*258.2mm
Poids net :	Environ 10.2 kg

IMPORTANT AVERTISSEMENT CONCERNANT LES CONSIGNES DE SÉCURITÉ IMPORTANTES

Pour réduire les risques d'incendie, de choc électrique, de blessures ou d'exposition à une énergie excessive du four à micro-ondes lors de l'utilisation de votre appareil, suivez les précautions de base, y compris celles qui suivent :

1. Lisez et suivez les instructions spécifiques :
« PRÉCAUTIONS À PRENDRE POUR ÉVITER UNE EXPOSITION ÉVENTUELLE À UNE ÉNERGIE EXCESSIVE DUE AUX MICRO-ONDES ».
2. Cet appareil peut être utilisé par des enfants à partir de 8 ans et par des personnes ayant des capacités physiques, sensorielles ou mentales réduites ou un manque d'expérience et de connaissances, s'ils sont sous surveillance ou si on leur a appris à utiliser l'appareil en toute sécurité et s'ils comprennent les risques courus. Les enfants ne doivent pas jouer avec l'appareil. Le nettoyage et l'entretien ne doivent pas être effectués par des enfants sans surveillance.
3. Gardez l'appareil et son cordon hors de portée des enfants de moins de 8 ans.
4. Si le cordon d'alimentation est endommagé, faites-le remplacer par le fabricant, le service après-vente ou un électricien qualifié pour éviter tout risque d'accident.
5. **AVERTISSEMENT** : Vérifiez que l'appareil est éteint avant de changer l'ampoule, pour éviter tout risque d'électrocution.
6. **AVERTISSEMENT** : Il est dangereux pour toute personne autre qu'une personne compétente d'effectuer toute opération d'entretien ou de réparation impliquant l'enlèvement d'un couvercle qui protège contre l'exposition à l'énergie micro-ondes.
7. **AVERTISSEMENT** : Les liquides et autres aliments ne doivent pas être chauffés dans des contenants scellés, car ils sont susceptibles d'exploser.

8. Lorsque vous chauffez des aliments dans des contenants en plastique ou en papier, gardez un œil sur le four en raison du risque d'ignition.
9. N'utilisez que des ustensiles adaptés à l'utilisation dans les fours à micro-ondes.
10. En cas d'émission de fumée, éteignez ou débranchez l'appareil et gardez la porte fermée afin d'étouffer toute flamme.
11. Le chauffage des boissons par micro-ondes peut retarder l'ébullition par éruption ; il faut donc être prudent lors de la manipulation du contenant.
12. Le contenu des biberons et des pots d'aliments pour bébés doit être mélangé ou agité et la température vérifiée avant consommation, afin d'éviter les brûlures.
13. Les œufs en coquille et les œufs durs entiers ne doivent pas être chauffés dans un four à micro-ondes, car ils peuvent exploser, même après la fin du chauffage au micro-ondes.
14. Le four doit être nettoyé régulièrement et tout dépôt de nourriture doit être enlevé.
15. Le fait de ne pas conserver le four dans un état de propreté peut entraîner une détérioration de la surface qui pourrait nuire à la durée de vie de l'appareil et éventuellement entraîner une situation dangereuse.
16. L'appareil ne doit pas être installé derrière une porte décorative afin d'éviter toute surchauffe. (Cela ne s'applique pas aux appareils équipés d'une porte décorative.)
17. Utilisez uniquement la sonde de température recommandée pour ce four (pour les fours équipés d'une sonde de température).
18. Le four à micro-ondes ne doit pas être placé dans un meuble, sauf s'il a été testé dans un meuble.
19. Le four à micro-ondes doit être utilisé avec la porte décorative ouverte (pour les fours équipés d'une porte décorative).

20. Cet appareil est conçu pour être utilisé dans une habitation et pour des applications similaires telles que :
 - coins-cuisine du personnel dans des magasins, bureaux et autres environnements de travail ;
 - des clients dans des hôtels, motels et autres environnements de type résidentiel ;
 - habitations rurales ;
 - environnements de type chambres d'hôtes ou B&B ;
21. Le four à micro-ondes est destiné au chauffage des aliments et des boissons. Le séchage d'aliments ou de vêtements et le chauffage de coussins chauffants, de chaussons, d'éponges, de chiffons humides ou similaires peuvent entraîner un risque de blessure, d'ignition ou d'incendie.
22. Les récipients métalliques pour aliments et boissons ne sont pas autorisés pendant la cuisson au micro-ondes.
23. L'appareil ne doit pas être nettoyé à l'aide d'un nettoyeur à vapeur.
24. L'appareil est conçu pour être utilisé de manière autonome.
25. La surface arrière des appareils doit être placée contre un mur.

**LISEZ ATTENTIVEMENT ET CONSERVEZ CE
MANUEL POUR POUVOIR LE CONSULTER EN
CAS DE BESOIN**

Pour réduire les risques de blessures aux personnes – Installation de mise à la terre

DANGER

Risque de choc électrique. Toucher certains des composants internes peut causer des blessures graves, voire mortelles. Ne démontez pas cet appareil.

AVERTISSEMENT :

Risque de choc électrique. Toute utilisation impropre de la mise à la terre vous expose à un risque d'électrocution. Ne branchez pas l'appareil à une prise de courant avant qu'il ne soit correctement installé et mis à la terre.

Cet appareil doit être mis à la terre. En cas de court-circuit électrique, la mise à la terre réduit les risques d'électrocution en offrant une voie d'évacuation au courant électrique. Cet appareil est équipé d'un cordon muni d'un cordon avec une mise à la terre et une prise de mise à la terre. Le connecteur fiche doit être branché sur une prise appropriée, installée et mise à la terre. Consultez un électricien ou un technicien

qualifié si les instructions de mise à la terre ne sont pas entièrement comprises ou s'il existe un doute quant à la mise à la terre correcte de l'appareil. S'il est nécessaire d'utiliser une rallonge, utilisez uniquement une rallonge à 3 fils.

1. Un cordon d'alimentation court est fourni pour réduire les risques de s'emmêler ou de trébucher sur un cordon plus long.
2. Si un cordon long ou une rallonge est utilisé :
 - 1) La puissance électrique marquée de l'ensemble de cordons ou de la rallonge doit être au moins aussi élevée que la puissance électrique de l'appareil.
 - 2) La rallonge doit être une rallonge à 3 fils de type mise à la terre.
 - 3) Le long cordon doit être disposé de façon à ce qu'il ne s'enroule pas sur le comptoir ou sur le dessus de la table où il peut être tiré par les enfants ou où vous pouvez trébucher dessus par inadvertance.

NETTOYAGE

Assurez-vous de débrancher l'appareil de l'alimentation électrique.

1. Après utilisation, nettoyez la cavité de l'appareil avec un chiffon humide.
2. Nettoyez les accessoires à l'eau savonneuse comme d'habitude.
3. Le cadre et le joint de la porte ainsi que les pièces voisines doivent être nettoyés soigneusement avec un chiffon humide lorsqu'ils sont sales.
4. N'utilisez pas de nettoyeurs abrasifs agressifs ni des racloirs en métal pointus pour nettoyer la vitre de la porte du four, car ils peuvent rayer la surface du verre et briser la vitre.
5. Astuce de nettoyage --- pour un nettoyage plus facile des parois de la cavité que les aliments cuits peuvent toucher : Mettre un demi-citron dans un bol, ajouter 300 ml (1/2 pinte) d'eau et chauffer au micro-ondes à 100 % pendant 10 minutes. Essuyez le four avec un chiffon doux et sec.

USTENSILES ATTENTION

Danger de blessures corporelles

Il est dangereux pour toute personne autre qu'une personne compétente d'effectuer toute opération d'entretien ou de réparation impliquant l'enlèvement d'un couvercle qui protège contre l'exposition à l'énergie micro-ondes.

Voir les instructions sur les « Matériaux à utiliser dans un four à micro-ondes ou à éviter dans un four à micro-ondes ». Certains ustensiles non métalliques peuvent ne pas être sécurisés pour le micro-ondes. En cas de doute, vous pouvez tester l'ustensile en question en suivant la procédure ci-dessous.

Test des ustensiles :

1. Remplissez un contenant allant au micro-ondes d'une tasse d'eau froide (250 ml) avec l'ustensile en question.
2. Faites le chauffer à la puissance maximale pendant 1 minute.
3. Touchez délicatement l'ustensile. Si l'ustensile vide est chaud, ne l'utilisez pas pour la cuisson au micro-ondes.
4. Ne dépassez pas 1 minute de cuisson.

Matériaux que vous pouvez utiliser dans un four à micro-ondes

Ustensiles	Remarques
Plat brunisseur	Suivez les instructions du fabricant. Le fond du plat brunisseur doit être à au moins 5 mm (3/16 po) au-dessus de la plaque tournante. Une utilisation incorrecte peut entraîner la rupture de la plaque tournante.
Vaisselle de table	Va au micro-ondes uniquement. Suivez les instructions du fabricant. N'utilisez pas de vaisselle craquelée ou émietée.
Bocaux en verre	Ôtez toujours le couvercle. Ne l'utilisez que pour réchauffer les aliments jusqu'à ce qu'ils soient chauds. La plupart des bocaux en verre ne sont pas résistants à la chaleur et peuvent se briser.
Les verres	Verres résistants à la chaleur seulement. Assurez-vous qu'il n'y a pas de garniture métallique. N'utilisez pas de vaisselle craquelée ou émietée.
Sacs à cuisson au four	Suivez les instructions du fabricant. Ne le fermez pas avec une attache métallique. Faites des fentes pour permettre à la vapeur de s'échapper.
Assiettes et gobelets en papier	Utilisez-les uniquement pour la cuisson/le réchauffement à court terme. Ne laissez pas le four sans surveillance pendant la cuisson.
Essuie-mains en papier	Utilisez-le pour couvrir les aliments afin de les réchauffer et d'absorber les graisses. Utilisez-le sous surveillance pour une cuisson de courte durée seulement.
Papier parchemin	Utiliser comme couvercle pour éviter les éclaboussures ou comme emballage pour la cuisson à la vapeur.
Plastique	Va au micro-ondes uniquement. Suivez les instructions du fabricant. Doit porter la mention « Adapté pour le micro-ondes ». Certains contenants en plastique s'assouplissent lorsque la nourriture à l'intérieur devient chaude. Les « sacs bouillants » et les sacs de plastique hermétiquement fermés doivent être fendus, percés ou ventilés selon les directives de l'emballage.
Enveloppe en plastique	Va au micro-ondes uniquement. Utilisez-la pour couvrir les aliments pendant la cuisson afin de retenir l'humidité. Ne laissez pas la pellicule plastique toucher les aliments.
Thermomètre	Seulement si adapté pour le micro-ondes (thermomètres à viande et à bonbons).
Papier paraffiné	Utilisez-le comme protection pour éviter les éclaboussures et retenir l'humidité.

Matières à éviter dans le four à micro-ondes

Ustensiles	Remarques
Contenant en aluminium	Peut causer des arcs électriques. Transférez les aliments dans un plat adapté pour le micro-ondes.
Carton alimentaire avec poignée en métal	Peut causer des arcs électriques. Transférez les aliments dans un plat adapté pour le micro-ondes.
Ustensiles en métal ou à garniture métallique	Le métal protège les aliments de l'énergie micro-ondes. Les garnitures métalliques peuvent causer des arcs électriques.
Attaches en métal	Risque de formation d'arcs électriques et d'incendie dans le four.
Sacs en papier	Peut causer un incendie dans le four.
Mousse plastique	La mousse plastique peut fondre ou contaminer le liquide à l'intérieur lorsqu'elle est exposée à des températures élevées.
Bois	Le bois se dessèche lorsqu'il est utilisé dans le four à micro-ondes et peut se fendre ou se briser.

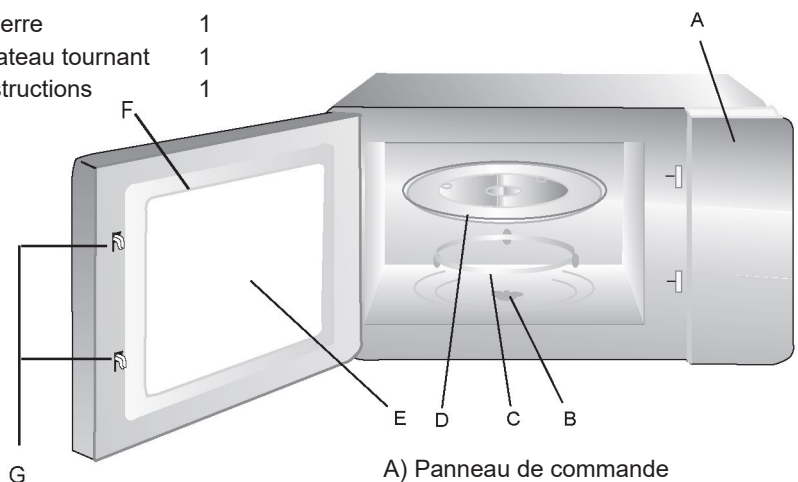
INSTALLATION DE VOTRE FOUR

Noms des pièces et accessoires du four

Enlevez le four et tous les matériaux de la brique carton et de la cavité du four.

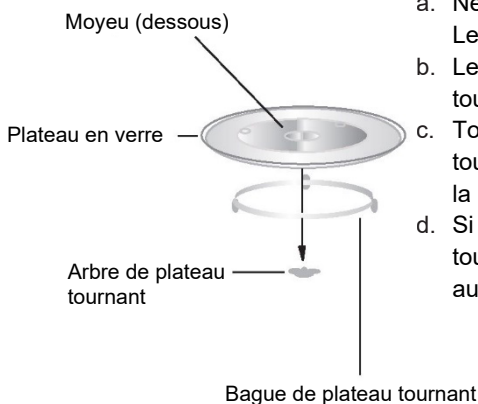
Votre four est livré avec les accessoires suivants :

Plateau en verre	1
Bague de plateau tournant	1
Manuel d'instructions	1



- A) Panneau de commande
- B) Arbre de plateau tournant
- C) Bague de plateau tournant
- D) Plateau en verre
- E) Fenêtre d'observation
- F) Assemblage de la porte
- G) Système de verrouillage de sécurité

Installation du plateau tournant



- a. Ne placez jamais le plateau en verre à l'envers. Le plateau en verre ne doit jamais être bloqué.
- b. Le plateau en verre et le plateau tournant doivent toujours être utilisés pendant la cuisson.
- c. Toute nourriture et tout contenant d'aliments sont toujours placés sur le plateau en verre pour la cuisson.
- d. Si le plateau en verre ou la bague de plateau tournant se fend ou se brise, contactez le SAV autorisé le plus proche.

Installation sur le plan de travail

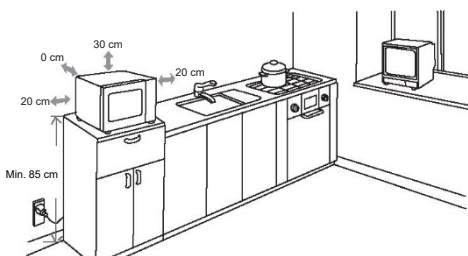
Retirez tout le matériel d'emballage et tous les accessoires. Examinez le four à la recherche de dommages tels que des bosses ou une porte cassée. N'installez pas le four s'il est endommagé.

Meuble : Retirez tout film protecteur présent sur la surface du meuble du four à micro-ondes.

Ne retirez pas le couvercle en mica marron clair qui est fixé à la cavité du four pour protéger le magnétron.

Installation

1. sélectionnez une surface plane qui offre suffisamment d'espace ouvert pour les ouvertures d'entrée et/ou de sortie.



(1) La hauteur d'installation minimale est de 85 cm.

(2) La surface arrière de l'appareil doit être placée contre un mur.

Laissez un espace minimal de 30 cm au-dessus du four ; un espace minimal de 20 cm est nécessaire entre le four et toute paroi adjacente.

(3) Ne retirez pas les pieds du bas du four.

(4) Le blocage des ouvertures d'entrée et/ou de sortie peut endommager le four.

(5) Placez le four le plus loin possible de la radio et de la télévision. Le fonctionnement du four à micro-ondes peut causer des interférences à la réception de votre radio ou de votre téléviseur.

2. Branchez votre four sur une prise de courant standard. Assurez-vous que la tension et la fréquence sont les mêmes que celles indiquées sur l'étiquette.

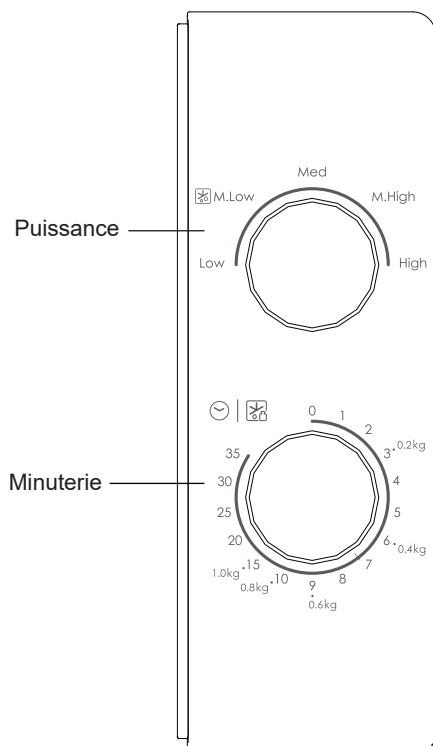
AVERTISSEMENT :
N'installez pas le four au-dessus d'une table de cuisson ou d'un autre appareil produisant de la chaleur. S'il est installé à proximité ou au-dessus d'une source de chaleur, le four pourrait être endommagé et la garantie serait annulée.

La surface accessible peut être chaude pendant le fonctionnement.



FONCTIONNEMENT

Mode d'emploi du panneau de commande et des fonctions



1. Pour régler la puissance de cuisson en tournant le bouton d'alimentation sur le niveau souhaité.
2. Pour régler le temps de cuisson en tournant le bouton de la minuterie sur le temps souhaité selon votre guide de cuisson.
3. Une fois la puissance et le temps réglés, le four à micro-ondes se met automatiquement en marche.
4. Une fois le temps de cuisson écoulé, l'appareil émet une sonnerie et s'arrête.
5. Si l'appareil n'est pas utilisé, réglez toujours le temps sur « 0 ».

Fonction/Puissance	Sortie	Application
Low	119 W	Ramollir de la crème glacée
M.Low (décongeler)	231 W	Potage, ramollir du beurre ou décongeler
Med	385 W	Ragoût, poisson
M.High	539 W	Riz, poisson, poulet, viande hachée
High	700 W	Réchauffer, lait, faire bouillir l'eau, légumes, boissons

Remarque : Lorsque vous retirez les aliments du four, assurez-vous que le four est hors tension en mettant la minuterie sur 0 (zéro). Le non-respect de cette mesure, et l'utilisation du four à micro-ondes sans nourriture, peut entraîner une surchauffe et endommager le magnétron.

Dépannage

Normal	
Four à micro-ondes interférant avec la réception TV	La réception de la radio et de la télévision peut être perturbée lorsque le four à micro-ondes fonctionne. C'est similaire à l'interférence des petits appareils électriques, comme les mélangeurs, les aspirateurs et les ventilateurs électriques. C'est tout à fait normal.
Lumière du four	Dans la cuisson au micro-ondes à faible puissance, la lumière du four peut s'assombrir. C'est tout à fait normal.
La vapeur s'accumule sur la porte, l'air chaud s'échappe par les événements.	En cuisson, de la vapeur peut s'échapper des aliments. Elle sortira principalement par les événements d'aération. Mais un peu de vapeur peut s'accumuler sur un endroit frais comme la porte du four. C'est tout à fait normal.
Le four a démarré accidentellement sans nourriture.	Il est interdit de faire fonctionner l'appareil sans nourriture à l'intérieur. C'est très dangereux.

Problème	Cause possible	Solution
Le four ne démarre pas.	(1)Le cordon d'alimentation n'est pas bien branché.	Débranchez-le. Puis rebranchez après 10 secondes.
	(2)Le fonctionnement des fusibles ou des disjoncteurs fonctionne.	Remplacez le fusible ou réinitialiser le disjoncteur (réparé par du personnel professionnel de notre société)
	(3)Problème avec la prise de courant.	Testez la prise avec d'autres appareils électriques.
Le four ne chauffe pas.	(4)Porte mal fermée.	Fermez bien la porte.



Cet appareil est étiqueté conformément à la Directive Européenne 2012/19/UE relative aux déchets d'équipements électriques et électroniques 2013 concernant les appareils électriques et électroniques (DEEE). Les DEEE contiennent à la fois des substances polluantes (pouvant avoir un effet négatif sur l'environnement) et des éléments de base (pouvant être réutilisés). Il est important que les DEEE fassent l'objet de traitements spécifiques pour enlever et mettre au rebut les polluants et récupérer tous les matériaux. Chaque personne peut jouer un rôle important en s'assurant que les DEEE ne deviennent pas un problème environnemental ; il est essentiel de suivre quelques règles fondamentales :

- les DEEE ne doivent pas être traités comme des déchets ménagers ;
- les DEEE doivent être amenés sur des sites de collecte spéciaux (déchetteries) gérés par la Mairie ou une entreprise agréée.

Dans de nombreux pays, les collectes chez les particuliers peuvent être disponibles pour les grands DEEE. Lors de l'achat d'un nouvel appareil, l'ancien peut être retourné au vendeur qui doit l'accepter gratuitement sous forme d'échange, à condition que l'appareil soit d'un type équivalent et qu'il possède les mêmes fonctions que l'appareil acheté.



Forno a microonde

MANUALE DI ISTRUZIONI

**MODELLO: CMW20SMW
CMW20SMB**

Leggere attentamente queste istruzioni prima di utilizzare il forno a microonde e conservarle con cura.

Se si seguono le istruzioni, il forno funzionerà perfettamente per molti anni.

CONSERVARE CON CURA QUESTE ISTRUZIONI

PRECAUZIONI PER EVITARE LA POSSIBILE ESPOSIZIONE A UN'ECESSIVA ENERGIA A MICROONDE

(a) Per evitare esposizioni nocive all'energia a microonde, non provare a utilizzare questo forno con lo sportello aperto. Prestare particolare attenzione a non danneggiare o manomettere gli interblocchi di sicurezza.

(b) Non collocare alcun oggetto tra il lato anteriore del forno e lo sportello. Evitare l'accumulo di sporcizia o residui di detersivo sulle superfici di tenuta.

(c) **AVVERTENZA:** in caso di danni allo sportello o alle guarnizioni dello sportello, utilizzare il forno solo dopo che è stato riparato da una persona competente.

ALTRE ISTRUZIONI

Se l'apparecchio non viene mantenuto pulito, la superficie potrebbe danneggiarsi, l'apparecchio potrebbe durare meno e potrebbe causare situazioni pericolose.

Specifiche

Modello:	CMW20SMW / CMW20SMB
Tensione nominale:	230 V ~ 50 Hz
Potenza nominale in ingresso (microonde):	1050 W
Potenza nominale in uscita (microonde):	700 W
Capacità del forno:	20 l
Diametro del piatto girevole:	Ø 255 mm
Dimensioni esterne:	439.5*357.5*258.2mm
Peso netto:	Circa 10.2 kg

ISTRUZIONI E AVVERTENZE IMPORTANTI PER LA SICUREZZA

Per ridurre il rischio di incendi, scosse elettriche, lesioni personali o esposizione a un'energia eccessiva del forno a microonde durante l'uso, attenersi alle precauzioni basilari e alle seguenti avvertenze:

1. Attenersi alla seguente specifica: "PRECAUZIONI PER EVITARE LA POSSIBILE ESPOSIZIONE A UN'ECESSIVA ENERGIA A MICROONDE".
2. Questo elettrodomestico può essere utilizzato da bambini di almeno 8 anni, da persone con ridotte capacità fisiche, sensoriali o mentali e da persone inesperte solo sotto stretta sorveglianza o se hanno appreso le modalità di utilizzo sicuro dell'elettrodomestico e sono consapevoli dei relativi pericoli. Impedire ai bambini di giocare con l'elettrodomestico. La pulizia e la manutenzione non devono essere effettuate da bambini non sorvegliati.
3. Tenere l'elettrodomestico e il cavo fuori dalla portata di bambini di età inferiore a 8 anni.
4. Se il cavo di alimentazione è danneggiato, deve essere sostituito dal produttore, da un tecnico dell'assistenza o da una persona con analoga qualifica per evitare rischi.
5. **AVVERTENZA:** per evitare scosse elettriche, accertarsi che l'elettrodomestico sia spento prima di sostituire la lampadina.
6. **AVVERTENZA:** le operazioni di manutenzione e riparazione che implicano la rimozione degli involucri possono essere pericolose se non effettuate da personale competente, dal momento che causano l'esposizione all'energia a microonde.
7. **AVVERTENZA:** non riscaldare liquidi o altri alimenti in contenitori sigillati perché potrebbero esplodere.

8. Quando si riscaldano alimenti contenuti in una vaschetta in plastica o carta, controllare frequentemente il forno perché i contenitori potrebbero incendiarsi.
9. Adoperare solo utensili da cucina idonei all'uso nei forni a microonde.
10. Se il forno emette fumo, spegnerlo o scollegarlo dall'alimentazione elettrica e mantenere chiuso lo sportello per evitare la propagazione alle fiamme.
11. Il riscaldamento di bevande nel forno a microonde può provocare una violenta ebollizione ritardata, per cui manipolare il contenitore con cautela.
12. Per evitare ustioni, mescolare e agitare il contenuto di biberon e barattoli contenenti alimenti per neonati, e controllare la temperatura prima del consumo.
13. Non riscaldare nel microonde uova col guscio e uova sode intere perché potrebbero esplodere anche dopo la fine della cottura.
14. È indispensabile pulire regolarmente il forno e rimuovere tutti i residui di alimenti.
15. Se il forno non viene tenuto sempre pulito, le superfici potrebbero deteriorarsi, riducendo la durata dell'elettrodomestico e causando situazioni pericolose.
16. Per evitare che l'elettrodomestico si surriscaldi, non installarlo dietro uno sportello decorativo (non riguarda elettrodomestici dotati di sportello decorativo).
17. Utilizzare solo la sonda di temperatura consigliata per questo forno (per i forni dotati di apparecchiature per l'uso di una sonda di rilevamento della temperatura).
18. Il forno a microonde non deve essere installato a incasso se non è stato verificato in questa configurazione.
19. Il forno a microonde deve essere azionato con lo sportello decorativo aperto (per forni con sportello decorativo).
20. Questo elettrodomestico è destinato all'uso domestico e a utilizzi simili a quelli di seguito indicati:
 - Zone cucina per il personale di negozi, uffici e altri ambienti lavorativi.

- Clienti di hotel, motel e altri ambienti residenziali.
 - Agriturismi.
 - Bed & breakfast.
21. Il forno a microonde è progettato per riscaldare alimenti e bevande. L'asciugatura di alimenti o indumenti e il riscaldamento di cuscini scaldanti, pantofole, spugne, panni bagnati e simili può provocare lesioni o innescare incendi.
 22. Non è consentito utilizzare contenitori metallici per alimenti e bevande durante la cottura a microonde.
 23. Non pulire l'apparecchio con elettrodomestici a vapore.
 24. L'elettrodomestico è progettato per l'uso indipendente.
 25. Posizionare la superficie posteriore contro una parete.

**LEGGERE ATTENTAMENTE QUESTE ISTRUZIONI
E CONSERVARLE PER FUTURI RIFERIMENTI**

Installazione del collegamento a terra per ridurre il rischio di lesioni personali

PERICOLO

Per evitare scosse elettriche e lesioni personali gravi o fatali, non toccare gli elementi interni. Non smontare questo elettrodomestico.

AVVERTENZA

Eventuali difetti del collegamento a terra potrebbero provocare scosse elettriche. Se l'elettrodomestico non è installato e collegato correttamente a terra, non collegarlo alla presa elettrica.

L'elettrodomestico deve essere dotato di messa a terra. In caso di cortocircuito, il collegamento a terra limita il rischio di scosse elettriche in quanto il conduttore di terra garantisce un percorso per la dissipazione della corrente elettrica. Questo elettrodomestico è fornito con un cavo dotato di un conduttore di terra e di una spina di messa a terra. La spina deve essere collegata a una presa correttamente installata e dotata di messa a terra. In caso di dubbi relativi al

collegamento a terra dell'elettrodomestico, consultare un tecnico o un elettricista qualificato. Se è necessario adoperare una prolunga, utilizzare un cavo tripolare.

1. Il cavo di alimentazione fornito è corto per ridurre i rischi di intrappolamento e inciampo.
2. Se si utilizza un cavo o una lunga prolunga:
 - 1) Le caratteristiche elettriche nominali del cavo o della prolunga devono essere idonee alle caratteristiche elettriche dell'elettrodomestico.
 - 2) L'eventuale prolunga deve essere costituita da un cavo tripolare dotato di conduttore di terra.
 - 3) I cavi lunghi devono essere sistemati in modo che non ciondolino sul top della cucina, per evitare che vengano tirati dai bambini o possano far inciampare.

PULIZIA

Accertarsi che l'elettrodomestico sia scollegato dalla fonte di alimentazione.

1. Pulire la cavità del forno con un panno lievemente bagnato.
2. Pulire gli accessori con acqua e sapone.
3. La cornice dello sportello, la guarnizione e i componenti vicini devono essere puliti attentamente con un panno bagnato se sono sporchi.
4. Non adoperare detersivi aggressivi e abrasivi o raschietti metallici affilati per pulire il vetro dello sportello del forno, altrimenti la superficie potrebbe graffiarsi e il vetro potrebbe frantumarsi.
5. Suggerimento per la pulizia: per facilitare la pulizia delle pareti della cavità che potrebbero entrare a contatto con gli alimenti cotti, collocare mezzo limone in una scodella, aggiungere 300 ml d'acqua e riscaldarla per 10 minuti con il forno a microonde al 100% della potenza. Per pulire il forno, strofinarlo con un panno morbido e asciutto.

UTENSILI DA CUCINA

ATTENZIONE

Rischio di lesioni personali

Le operazioni di manutenzione e riparazione che implicano la rimozione degli involucri possono essere pericolose se non effettuate da personale competente, dal momento che causano l'esposizione all'energia a microonde.

Consultare le istruzioni che indicano i "Materiali utilizzabili e non utilizzabili nel forno a microonde". L'uso di determinati utensili da cucina non metallici non è sicuro per la cottura a microonde. In caso di dubbi, provare l'utensile da cucina effettuando la procedura indicata di seguito.

Prova dell'utensile da cucina:

1. Riempire un contenitore utilizzabile nel forno a microonde con una tazza d'acqua fredda (250 ml) assieme all'utensile da cucina da provare.
2. Accendere il forno alla massima potenza per 1 minuto.
3. Toccare con attenzione l'utensile da cucina. Se l'utensile da cucina vuoto è caldo, non deve essere utilizzato per la cottura a microonde.
4. Non superare il tempo di cottura di 1 minuto.

Materiali utilizzabili nel forno a microonde

Utensili da cucina	Note
Piatto per doratura	Seguire le istruzioni del fabbricante. Il fondo del piatto per doratura deve trovarsi ad almeno 5 mm al di sopra del piatto girevole. Utilizzi errati potrebbero causare la rottura del piatto girevole.
Stoviglie	Solo quella utilizzabile nei forni a microonde. Seguire le istruzioni del fabbricante. Non adoperare piatti screpolati o scheggiati.
Barattoli di vetro	Rimuovere sempre il coperchio. Adoperarli solo per riscaldare lievemente gli alimenti. La maggior parte dei barattoli di vetro non resistono al calore e possono rompersi.
Cristalleria	Adoperare solo cristalleria che resiste nei forni a microonde. Accertarsi che non siano presenti finiture metalliche. Non adoperare piatti screpolati o scheggiati.
Sacchetti per la cottura in forno	Seguire le istruzioni del fabbricante. Non chiuderli con fascette metalliche. Creare qualche feritoia per lasciare uscire il vapore.
Piatti e bicchieri di carta	Adoperarli solo per cottura o riscaldamento breve. Non lasciare il forno incustodito durante la cottura.
Carta assorbente	Adoperarla per coprire gli alimenti per riscaldarli e assorbire i grassi. Adoperarla solo per cotture brevi, senza lasciare incustodito il forno.
Carta da forno	Adoperarla come coperchio per evitare schizzi o per la cottura a vapore.
Plastica	Solo quella utilizzabile nei forni a microonde. Seguire le istruzioni del fabbricante. Deve essere presente un'apposita etichetta indicante che è possibile utilizzarla nei forni a microonde. Alcuni contenitori in plastica si ammorbidiscono quando gli alimenti diventano caldi. Se si utilizzano sacchetti per la cottura e sacchetti in plastica chiusi ermeticamente, praticare piccoli tagli o fori come indicato sulla confezione.
Pellicola di plastica	Solo quella utilizzabile nei forni a microonde. Utilizzarla per coprire gli alimenti durante la cottura per trattenere l'umidità. Evitare il contatto della plastica con gli alimenti.
Termometri	Solo quelli utilizzabili nei forni a microonde (termometri per la carne e i dolci).
Carta cerata	Adoperarla come coperchio per evitare schizzi o per trattenere l'umidità.

Materiali da evitare nel forno a microonde

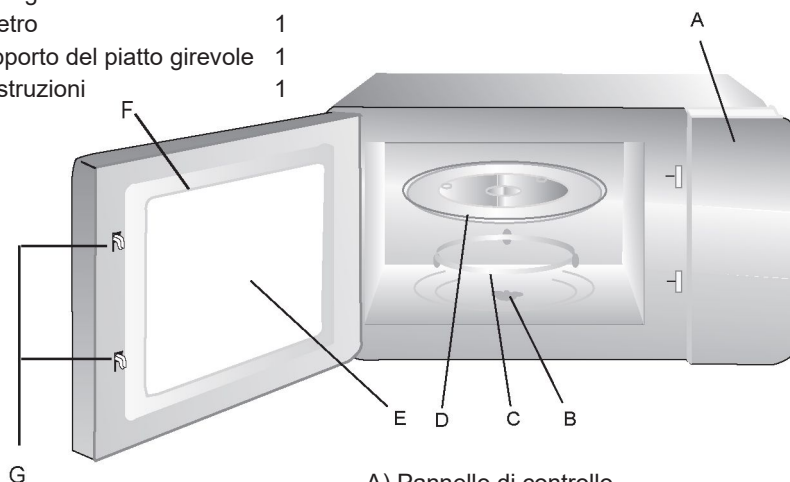
Utensili da cucina	Note
Vaschette di alluminio	Possono causare archi elettrici. Trasferire gli alimenti in un piatto adatto alla cottura a microonde.
Cartone per alimenti con maniglie metalliche	Possono causare archi elettrici. Trasferire gli alimenti in un piatto adatto alla cottura a microonde.
Utensili da cucina in metallo o con finiture metalliche	Il metallo schermava gli alimenti dall'energia a microonde. Le finiture metalliche possono causare archi elettrici.
Fascette metalliche	Possono causare archi elettrici e incendi nel forno.
Sacchetti di carta	Possono causare incendi nel forno.
Materiale espanso plastico	Il materiale espanso plastico può fondere o contaminare il liquido interno quando viene esposto ad alte temperature.
legno	Quando viene utilizzato nel forno a microonde, il legno si secca e potrebbe creparsi o rompersi.

IMPOSTAZIONE DEL FORNO

Nomi dei componenti e degli accessori del forno

Togliere il forno e tutti i materiali dal cartone e dalla cavità del forno. Il forno viene fornito con i seguenti accessori:

Vassoio di vetro	1
Anello di supporto del piatto girevole	1
Manuale di istruzioni	1



- A) Pannello di controllo
- B) Alberino del piatto girevole
- C) Anello di supporto del piatto girevole
- D) Vassoio di vetro
- E) Finestra di ispezione
- F) Sportello
- G) Sistema di interblocco di sicurezza

Installazione del piatto girevole



- a. Non capovolgere il vassoio di vetro. Il vassoio di vetro non deve mai bloccarsi.
- b. Durante la cottura, utilizzare sia il vassoio di vetro che l'anello di supporto del piatto girevole.
- c. Tutti gli alimenti e i contenitori devono essere collocati sempre sul vassoio di vetro per la cottura.
- d. Se il vassoio di vetro o l'anello di supporto del piatto girevole si incrina o si rompe, rivolgersi al centro assistenza autorizzato più vicino.

Installazione sul top di cucina

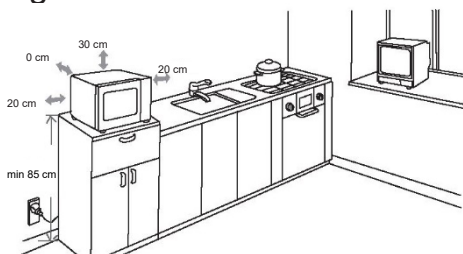
Togliere tutti i materiali di imballaggio e gli accessori. Accertarsi che il forno non presenti danni, ad es. ammaccature o rottura dello sportello. Non installare il forno se è danneggiato.

Involucro: togliere la pellicola protettiva sulla superficie dell'involucro del forno a microonde (se presente).

Non rimuovere la copertura Mica marrone chiaro applicata alla cavità del forno per proteggere il magnetron.

Installazione

1. Scegliere una superficie piana sufficientemente ampia da garantire spazio attorno alle prese d'aria e agli sfiati.



- (1) L'altezza minima di installazione è 85 cm.
- (2) Posizionare la superficie posteriore contro una parete. Lasciare almeno 30 cm di spazio sopra al forno e almeno 20 cm di spazio tra il forno e le pareti adiacenti.
- (3) Non togliere i piedini applicati sulla parte inferiore del forno.
- (4) Se le prese d'aria e gli sfiati vengono ostruiti, il forno potrebbe danneggiarsi.
- (5) Collocare il forno più lontano possibile da apparecchi radio

o televisivi. L'uso del forno a microonde può provocare interferenze che peggiorano la ricezione di apparecchi radio o televisivi.

2. Collegare il forno a una presa domestica standard. Accertarsi che la tensione e la frequenza corrispondano a quelle riportate sull'etichetta.

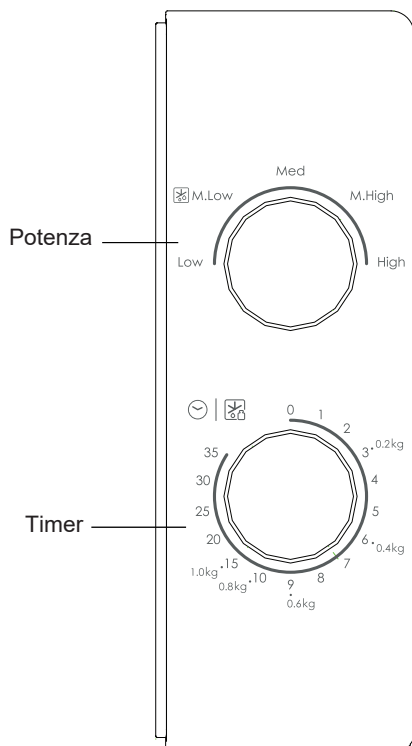
AVVERTENZA: non installare il forno sul piano cottura o su altri elettrodomestici che producono calore. Se il forno viene installato vicino o sopra una fonte di calore, potrebbe danneggiarsi e la garanzia potrebbe non essere più valida.

La superficie accessibile può essere calda durante il funzionamento.



USO

Pannello di controllo e funzioni Istruzioni per l'uso



1. Per impostare la potenza di cottura, ruotare la manopola della potenza fino al livello desiderato.
2. Per impostare il tempo di cottura, ruotare la manopola del timer fino al tempo desiderato, in base a quanto indicato nella guida alla cottura degli alimenti.
3. Il forno a microonde avvia automaticamente la cottura dopo l'impostazione del livello di potenza e del tempo.
4. Una volta trascorso il tempo di cottura, l'unità emette un segnale acustico e si arresta.
5. Se l'unità non viene utilizzata, impostare sempre il tempo a "0".

Funzione/potenza	Rendimento	Applicazione
Low	119 W	Ammorbidire il gelato
M. Low	231 W	Cuocere minestre, ammorbidire il burro o scongelare
Med.	385 W	Spezzatino, pesce
M. High	539 W	Riso, pesce, pollo, carne macinata
High	700 W	Riscaldare, latte, bollire acqua, verdure, bevande

Avviso: quando si rimuovono gli alimenti dal forno, accertarsi di azzerare la potenza del forno ruotando a 0 (zero) il commutatore del timer. In caso contrario, se il forno rimane in funzione senza alimenti, potrebbe surriscaldarsi e il magnetron potrebbe danneggiarsi.

Soluzione dei problemi

Normale	
Il forno a microonde interferisce con la ricezione del segnale televisivo	Quando il forno a microonde è in funzione, potrebbe interferire sulla ricezione del segnale radio e televisivo. Il fenomeno è simile alle interferenze di piccoli elettrodomestici (ad es. frullatore, aspirapolvere, ventilatori elettrici). È normale.
La spia del forno è debole	Se la cottura a microonde avviene a bassa potenza, la spia del forno potrebbe diventare debole. È normale.
Accumulo di vapore sullo sportello, fuoriuscita di aria calda dagli sfii	Durante la cottura, potrebbe fuoriuscire vapore dagli alimenti. La maggior parte viene estratto dagli sfii. Parte, però, potrebbe accumularsi su una zona fresca, ad esempio lo sportello del forno. È normale.
Il forno si è avviato accidentalmente senza alimenti.	Non azionare l'elettrodomestico senza alimenti all'interno. È molto pericoloso.

Problema	Causa possibile	Soluzione
Il forno non si avvia.	(1) Il cavo di alimentazione non è collegato saldamente.	Staccare il cavo. Ricollegare il cavo dopo 10 secondi.
	(2) Il fusibile si brucia o interviene il salvavita.	Sostituire il fusibile o resettare il salvavita (riparato da un professionista della società elettrica).
	(3) Problema con la presa elettrica.	Provare la presa elettrica con altri elettrodomestici.
Il forno non si riscalda.	(4) Lo sportello non è chiuso correttamente.	Chiudere bene lo sportello.



Sull'elettrodomestico è riportato il simbolo di conformità alla Direttiva Europea 2012/19/CE in materia di smaltimento di rifiuti di apparecchiature elettriche ed elettroniche (RAEE). I rifiuti di apparecchiature elettriche ed elettroniche contengono sostanze inquinanti per l'ambiente e componenti basilari riutilizzabili. È fondamentale che i rifiuti di apparecchiature elettriche ed elettroniche siano sottoposti a trattamenti specifici per rimuovere e smaltire correttamente i materiali inquinanti e recuperare tutti i materiali riciclabili. Osservando alcune regole basilari, tutti possono contribuire a evitare danni ambientali causati dai rifiuti di apparecchiature elettriche ed elettroniche:

- I rifiuti di apparecchiature elettriche ed elettroniche non devono essere gestiti come rifiuti domestici.
- I rifiuti di apparecchiature elettriche ed elettroniche devono essere conferiti in aree di raccolta dedicate gestite a livello municipale o da una società registrata.

In molti paesi potrebbe essere disponibile il prelievo a domicilio per i rifiuti di apparecchiature elettriche ed elettroniche di grandi dimensioni. Quando si acquista un nuovo elettrodomestico, quello vecchio può essere restituito al rivenditore che è tenuto ad accettarlo gratuitamente, purché sia di tipo equivalente e abbia le stesse funzioni di quello acquistato.



Микровълнова фурна

**РЪКОВОДСТВО
С ИНСТРУКЦИИ**

**МОДЕЛ: CMW20SMW
CMW20SMB**

Внимателно прочетете тези инструкции, преди да използвате вашата микровълнова фурна, и ги съхранете на сигурно място.

Ако следвате инструкциите, вашата фурна ще функционира добре дълги години.

СЪХРАНЕТЕ ТЕЗИ ИНСТРУКЦИИ НА СИГУРНО МЯСТО

ПРЕДПАЗНИ МЕРКИ ЗА ИЗБЯГВАНЕ НА ВЪЗМОЖНО ИЗЛАГАНЕ НА ПРЕКОМЕРНО ИЗЛЪЧВАНЕ НА МИКРОВЪЛНИ

(a) Не се опитвайте да работите с тази фурна с отворена врата, тъй като това може да доведе до вредно излагане на микровълнова енергия. Важно е да не се чупят или преправят предпазните блокировки.

(b) Не поставяйте никакви предмети между предната повърхност на фурната и вратата и не позволявайте да се натрупва замърсяване или остатъци от почистващ препарат върху уплътняващите повърхности.

(c) ПРЕДУПРЕЖДЕНИЕ: Ако вратата или уплътненията на вратата са повредени, фурната не трябва да работи, докато не бъде ремонтирана от компетентно лице.

ПРИЛОЖЕНИЕ

Ако уредът не се поддържа чист, състоянието на повърхността му може да се влоши, да повлияе на експлоатационния живот на уреда и да доведе до опасна ситуация.

Спецификации

Модел:	CMW20SMW/CMW20SMB
Номинално напрежение:	230 V~ 50 Hz
Номинална захранваща мощност (микровълнова):	1050 W
Номинална изходна мощност (микровълнова):	700 W
Капацитет на фурната:	20 L
Диаметър на таблата:	Ø 255 mm
Външни размери:	439.5*357.5*258.2mm
Нето тегло:	Приблизително 10.2 kg

ПРЕДУПРЕЖДЕНИЕ ЗА ВАЖНИ ИНСТРУКЦИИ ЗА БЕЗОПАСНОСТ

За да намалите риска от пожар, токов удар, нараняване на хора или излагане на прекомерна микровълнова енергия от фурната, когато използвате своя уред, следвайте основните предпазни мерки, включително следното:

1. Прочетете и следвайте специфичните: „ПРЕДПАЗНИ МЕРКИ ЗА ИЗБЯГВАНЕ НА ВЪЗМОЖНО ИЗЛАГАНЕ НА ПРЕКОМЕРНО ИЗЛЪЧВАНЕ НА МИКРОВЪЛНИ“.
2. Този уред може да се използва от деца над 8-годишна възраст и от лица с намалени физически, сетивни или умствени способности или липса на опит и познания, ако се наблюдават или са инструктирани за използването на уреда по безопасен начин и разбират свързаните с това опасности. Децата не бива да използват уреда за игра. Почистването и потребителската поддръжка на уреда не бива да се извършва от деца без надзор.
3. Дръжте уреда и кабела му далеч от деца под 8 години.
4. Ако захранващият кабел е повреден, трябва да бъде заменен от производителя, неговия обслужващ агент или лице с подобна квалификация, за да се избегне евентуална опасност.
5. **ПРЕДУПРЕЖДЕНИЕ:** Уверете се, че уредът е изключен, преди да смените лампата, за да избегнете електрически удар.
6. **ПРЕДУПРЕЖДЕНИЕ:** Опасно е за всеки, който не е лице, обучено да извършва сервизна или ремонтна дейност, която включва сваляне на капак, който осигурява защита срещу излагане на микровълнова енергия.
7. **ПРЕДУПРЕЖДЕНИЕ:** Течности и други храни не трябва да се подгръват в запечатани съдове, тъй като те могат да експлодират.

8. Когато загревате храна в пластмасови или хартиени съдове, следете фурната, тъй като има вероятност от запалване.
9. Използвайте само прибори, които са подходящи за използване в микровълнови фурни.
10. Ако започне да се отделя дим, изключете уреда от бутона или от контакта и дръжте вратата затворена, за да изгасите пламъците.
11. Загриването на напитките в микровълнова може да доведе до забавено кипене, поради което трябва да се внимава при боравене със съда.
12. Съдържанието на шишетата за хранене и бурканите за бебешка храна трябва да се разбърква или разклаща и да се проверява температурата преди консумация, за да се избегнат изгаряния.
13. Яйца с черупка и цели твърдо сварени яйца не трябва да се загреват в микровълнова фурна, тъй като те могат да експлодират дори след като подгреването в микровълновата приключи.
14. Фурната трябва да се почиства редовно и да се отстраняват всички остатъци от храна.
15. Непочишването на фурната може да доведе до влошаване на състоянието на повърхността ѝ, което може да повлияе неблагоприятно на живота на уреда и евентуално да доведе до опасна ситуация.
16. Уредът не трябва да се вгражда зад декоративна врата, за да се избегне прегряване. (Това не е приложимо за уреди с декоративна врата.)
17. Използвайте само температурната сонда, препоръчана за тази фурна (за фурни с възможност за използване на температурен сензор).
18. Микровълновата фурна не трябва да се поставя в шкаф, освен ако не е тествана в шкаф.

19. Микровълновата фурна трябва да работи с отворена декоративна врата (за фурни с декоративна врата).
20. Този уред е предназначен да бъде използван за битови нужди и подобни приложения, като:
 - кухненски боксове за персонала в магазини, офиси и други работни среди;
 - от клиенти на хотели, мотели и други подобни обекти;
 - селскостопански къщи;
 - други заведения за настаняване и изхранване.
21. Микровълновата фурна е предназначена за подгриване на храни и напитки. Сушенето на храна или облекло и нагриването на подгриващи подложки, чехли, гъби, влажни кърпи и други подобни може да доведе до риск от нараняване, запалване или пожар.
22. При готвене в микровълнова фурна не се допускат метални съдове за храни и напитки.
23. Уредът не трябва да се почиства с парочистачка.
24. Уредът е предназначен да се използва самостоятелно, без да се вгражда.
25. Задната страна на уредите трябва да бъде поставена към стена.

**ПРОЧЕТЕТЕ ВНИМАТЕЛНО И ЗАПАЗЕТЕ
ЗА БЪДЕЩА СПРАВКА**

Инсталация за заземяване за намаляване на риска от нараняване на хора

ОПАСНОСТ

Опасност от токов удар
Докосването на някои от вътрешните компоненти може да причини сериозно нараняване или смърт.
Не разглобявайте този уред.

ПРЕДУПРЕЖДЕНИЕ

Опасност от токов удар
Неправилното използване на заземяването може да доведе до токов удар.
Не включвайте в контакт, докато уредът не е правилно инсталиран и заземен.

Този уред трябва да бъде заземен. В случай на електрическо късо съединение, заземяването намалява риска от токов удар, като осигурява проводник, който да изведе електрическия ток. Този уред е оборудван с кабел със заземяващ проводник със заземяващ щепсел. Щепселът трябва да бъде включен в контакт, който е правилно инсталиран и заземен. Консултирайте се с квалифициран

електротехник или сервизен техник, ако инструкциите за заземяване не са напълно ясни или ако се съмнявате в правилното заземяване на уреда. Ако е необходимо да използвате удължител, използвайте само 3-жилен удължител.

1. Осигурен е къс захранващ кабел, за да се намалят рисковете, произтичащи от заплитане или спъване в по-дълъг кабел.
2. Ако се използва дълъг кабел или удължител:
 - 1) Маркираната електрическа мощност на кабела или удължителя трябва да бъде поне равна по големина на електрическата мощност на уреда.
 - 2) Удължителят трябва да бъде заземяващ 3-жилен кабел.
 - 3) Дългият кабел трябва да бъде прибран така, че да не се навива върху горния панел или плота, където може да бъде дръпнат от деца или някой да се спъне неволно в него.

ПОЧИСТВАНЕ

Не забравяйте да изключите уреда от захранването.

1. Почистете пространството във фурната след употреба с леко влажна кърпа.
2. Почистете принадлежностите по обичайния начин в сапунена вода.
3. Рамката на вратата, уплътнението и прилежащите части трябва да се почистват внимателно с влажна кърпа, когато са замърсени.
4. Не използвайте груби абразивни почистващи препарати или остри метални стъргалки за почистване на стъклото на вратата на фурната, тъй като те могат да надраскат повърхността, което може да доведе до счупване на стъклото.
5. Съвет за почистване – За по-лесно почистване на стените на пространството, с които приготвяната храна може да влезе в контакт: Поставете половин лимон в купа, добавете 300 ml (1/2 пинта) вода и загрейте на 100% мощност в микровълновата за 10 минути. Избършете фурната с мека суха кърпа.

ПРИБОРИ ВНИМАНИЕ

Опасност от нараняване

Опасно е за всеки, който не е лице, обучено да извършва сервизна или ремонтна дейност, която включва сваляне на капак, който осигурява защита срещу излагане на микровълнова енергия.

Вижте инструкциите за „Материали, които можете да използвате с микровълнова фурна или да избягвате да използвате с микровълнова фурна“. Възможно е да съществуват определени неметални прибори, които не са безопасни за използване за микровълнова фурна. Ако се съмнявате, може да тествате въпросния прибор, като следвате процедурата по-долу.

Тест за прибори:

1. Напълнете съд, подходящ за микровълнова фурна, с обема на 1 чаша студена вода (250 ml) заедно с въпросния прибор.
2. Включете на максимална мощност за 1 минута.
3. Внимателно опипайте прибора. Ако приборът е затоплен, не го използвайте за готвене в микровълнова фурна.
4. Не превишавайте времето за подгряване над 1 минута.

Материали, които можете да използвате в микровълновата фурна

Прибори	Забележки
Съдове за запържване	Следвайте инструкциите на производителя. Дъното на съда за запържване трябва да е най-малко 3/16 инча (5 mm) над въртящата се поставка. Неправилната употреба може да доведе до счупване на поставката.
Прибори за хранене	Само пригодни за ползване в микровълнова фурна. Следвайте инструкциите на производителя. Не използвайте спукани или нащърбени съдове.
Стъклени буркани	Винаги сваляйте капака. Използвайте само за подгръване на храна, докато се затопли. Повечето стъклени буркани не са термоустойчиви и може да се счупят.
Стъклени съдове	Само термоустойчиви стъклени съдове за фурна. Уверете се, че нямат метално покритие. Не използвайте спукани или нащърбени съдове.
Торби за готвене във фурна	Следвайте инструкциите на производителя. Не връзвайте с метална корда. Направете прорези, за да позволите на парата да излезе.
Хартиени чинии и чаши	Използвайте само за краткотрайно готвене/затопляне. Не оставяйте фурната без надзор по време на готвене.
Хартиени кърпи	Използвайте за покриване на храна за повторно затопляне и поемане на мазнини. Използвайте, като я наблюдавате, само за краткосрочно готвене.
Пергаментова хартия	Използвайте като капак за предотвратяване на пръски или за обвиване при задушаване.
Пластмаси	Само пригодни за ползване в микровълнова фурна. Следвайте инструкциите на производителя. Трябва да има надпис „Безопасно за микровълнова фурна“. Някои пластмасови контейнери омекват, тъй като храната вътре се нагрява. Торбите за варене и плътно затворените найлонови торбички трябва да бъдат разрязани, пробити или вентилирани, както е указано на опаковката.
Пластмасови фолия	Само пригодни за ползване в микровълнова фурна. Използвайте за покриване на храна по време на готвене, за да запазите влагата. Не позволявайте найлоновото фолио да докосва храна.
Термометри	Безопасни за ползване в микровълнова фурна (термометри за месо и за захарни изделия).
Восъчна хартия	Използвайте като покритие, за да предотвратите пръски и задържане на влага.

Материали, които трябва да се избягват в микровълновата фурна

Прибори	Забележки
Алуминиева тава	Може да причини електрическа дъга. Прехвърлете храната в съд, подходящ за микровълнова фурна.
Картонени опаковки за храна с метална дръжка	Може да причини електрическа дъга. Прехвърлете храната в съд, подходящ за микровълнова фурна.
Метални прибори или такива с метално покритие	Металът предпазва храната от микровълните. Металното покритие може да причини електрическа дъга.
Метални усукващи се връзки	Може да причинят електрическа дъга и да предизвикат пожар във фурната.
Хартиени торби	Може да причинят пожар във фурната.
Синтетична пяна	Синтетичната пяна може да се стопи или да замърси течността вътре, когато е изложена на висока температура.
Дърво	Дървото ще изсъхне, когато се използва в микровълновата фурна, и може да се нацепи или напука.

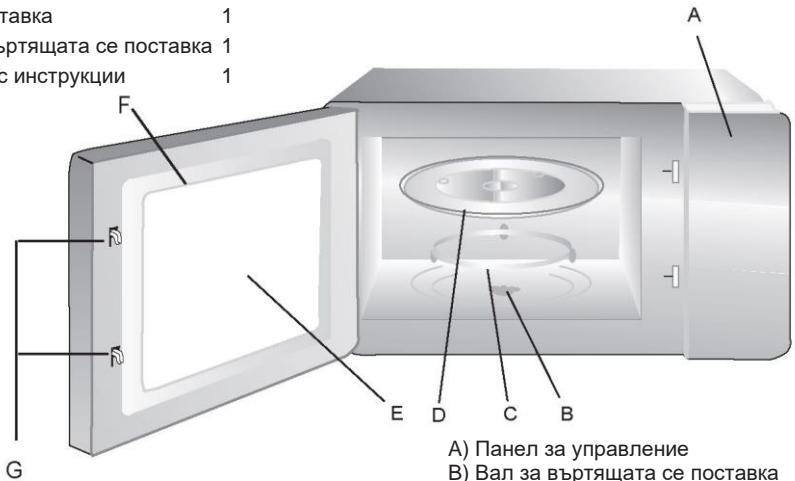
НАСТРОЙКА НА ВАШАТА ФУРНА

Имена на частите и аксесоарите на фурната

Извадете фурната и премахнете всички материали от кашона и вътрешността на фурната.

Вашата фурна се доставя със следните аксесоари:

Стъклена поставка	1
Пръстен за въртящата се поставка	1
Ръководство с инструкции	1



- A) Панел за управление
- B) Вал за въртящата се поставка
- C) Пръстен за въртящата се поставка
- D) Стъклена поставка
- E) Прозорец за наблюдение
- F) Принадлежности на вратата
- G) Блокираща система за безопасност

Монтаж на въртящата се поставка



- a. Никога не поставяйте стъклената поставка на обратно. Движението на стъклената поставка никога не трябва да се ограничава.
- b. По време на готвене винаги трябва да се използват както стъклената поставка, така и пръстенът за въртящата се поставка.
- c. Всички храни и контейнери с храна винаги се поставят върху стъклената поставка за готвене.
- d. Ако стъклената поставка или пръстенът за въртящата се поставка се спукат или се счупят, свържете се с най-близкия оторизиран сервизен център.

Монтаж на плота

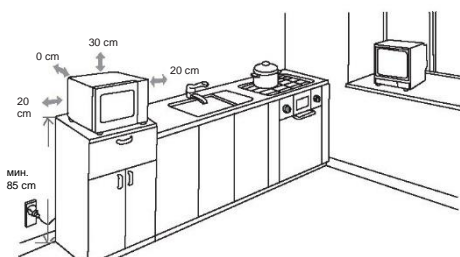
Отстранете всички опаковъчни материали и аксесоари. Проверете фурната за повреди, като вдлъбнатини или счупвания по вратата. Не я инсталирайте, ако фурната е повредена.

Шкаф: Отстранете всяко защитно фолио от повърхността на шкафа за микровълновата фурна.

Не отстранявайте светлокафявия капак Mica, който е закрепен към вътрешността на фурната, за да предпазите магнетрона.

Монтиране

1. Изберете равна повърхност, която осигурява достатъчно отворено пространство за входните и/или изходните вентилационни отвори.



(1) Минималната височина на монтаж е 85 cm.

(2) Задната страна на уреда трябва да бъде поставена към стена.

Оставете минимално разстояние от 30 cm над фурната, минимално разстояние от 20 cm е необходимо между фурната и всички съседни стени.

(3) Не сваляйте крачетата от дъното на фурната.

(4) Блокирането на входящите и/или изходните отвори може да повреди фурната.

(5) Поставете фурната възможно най-далеч от радиостанции и телевизори. Работата на микровълновата фурна може да причини смущения във вашето радио или телевизионно приемане.

2. Включете фурната си в стандартен домашен контакт. Уверете се, че напрежението и честотата на тока са същите като номиналното напрежение и честота на етикета.

ПРЕДУПРЕЖДЕНИЕ:

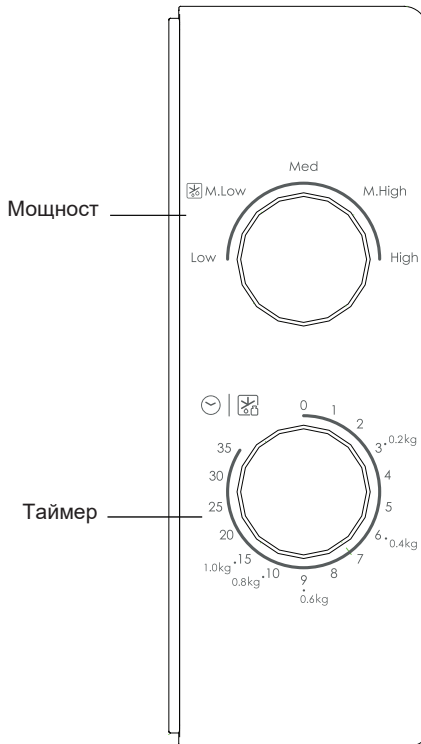
Не инсталирайте фурната върху готварски плот или друг уред, генериращ топлина. Ако се монтира близо до или над източник на топлина, фурната може да се повреди и гаранцията ще бъде невалидна.

Достъпната повърхност може да се нагоречи по време на работа.



ОПЕРАЦИЯ

Инструкции за работа с контролния панел и функциите



1. За да настроите мощността за готвене, завъртете копчето за захранване до желаното ниво.
2. За да зададете времето за готвене, завъртете копчето на таймера до желаното времетраене според вашето ръководство за готвене.
3. Микровълновата фурна автоматично ще започне да нагрява след настройка на нивото и времето.
4. След изтичане на времето за готвене, ще се чуе сигнал от уреда и той ще спре.
5. Ако уредът не се използва, винаги задавайте времетраене „0“.

Функция	Изходна мощност	Приложение
Low	119 W	Размекване на сладолед
Med. Low (размразяване)	231 W	Затопляне на супа, омекване на масло или размразяване
Med.	385 W	Яхнии, риба
Med. High	539 W	Ориз, риба, пилешко, мляно месо
High	700 W	Повторно подгръване, мляко, кипване на вода, зеленчуци, напитки

Предупреждение: Когато изваждате храна от фурната, моля, уверете се, че тя е изключена, като завъртите превключвателя на таймера на 0 (нула). Ако не го направите и оставите микровълновата фурна да работи без храна в нея, това може да доведе до прегряване и повреда на магнетрона.

Отстраняване на проблеми

Нормално функциониране	
Микровълновата фурна смущава телевизионните приемници	Приемането на радио и телевизионен сигнал може да бъде смущавано, когато микровълновата фурна работи. Това е подобно на смущенията от малки електрически уреди, като миксер, прахосмукачка и електрически вентилатор. Нормално е.
Приглушена светлина на фурната	При готвене в микровълнова фурна с ниска мощност светлината на фурната може да отслабва. Нормално е.
Натрупване на пара на вратата, горещ въздух, излизаш от вентилационните отвори	При готвене от храната може да се вдигне пара. По-голямата част ще излезе от вентилационните отвори. Но известно количество може да се акумулира върху по-хладно място, като вратата на фурната. Нормално е.
Фурната стартира случайно, без в нея да има храна.	Забранено е уредът да работи без храна вътре в него. Много е опасно.

Проблем	Вероятна причина	Решение
Фурната не може да се стартира.	(1) Захранващият кабел не е включен добре.	Изключете от контакта. След това включете отново след 10 секунди.
	(2) Изгаряне на предпазителя или активиране на прекъсвач.	Сменете предпазителя или включете прекъсвача обратно (ремонтирано от специалисти от нашата компания)
	(3) Проблем с контакта.	Тествайте контакта с други електрически уреди.
Фурната не загрева.	(4) Вратата не е затворена добре.	Затворете добре вратата.



Този уред е маркиран с етикет в съответствие с Европейската директива 2012/19/ЕС относно отпадъци от електрическо и електронно оборудване от 2013 г. (ОЕЕО). ОЕЕО съдържат както замърсяващи вещества (които могат да окажат отрицателен ефект върху околната среда), така и основни елементи (които могат да се използват повторно). Важно е ОЕЕО да преминат специфична обработка за правилното отстраняване и изхвърляне на замърсителите и за възстановяване на всички материали. Отделните граждани могат да изиграят важна роля като гарантират, че ОЕЕО няма да се превърнат в проблем за околната среда; важно е да се следват някои основни правила:

- ОЕЕО не трябва да се третират като битови отпадъци;
- ОЕЕО трябва да се предадат в обекти за специализирано събиране, управлявани от общинските власти или регистрирано дружество.

В много страни събирането на битови отпадъци може да предлага и услуги за големи ОЕЕО. Когато купувате нов уред, старият може да се върне на търговеца, който трябва да го приеме безплатно, стига уредът да е от еквивалентен тип и да има същите функции като закупения.



Mikrovlnná trouba

NÁVOD K OBSLUZE
MODEL:CMW20SMW
CMW20SMB

Před použitím mikrovlnné trouby si důkladně přečtěte tyto pokyny a pečlivě si je uschovejte.

Pokud se budete řídit pokyny, bude vám trouba sloužit dlouhá léta.

PEČLIVĚ SI TYTO POKYNY USCHOVEJTE

OPATŘENÍ, KTERÁ MAJÍ ZAMEZIT PŘÍPADNÉMU VYSTAVENÍ NADMĚRNÉMU MNOŽSTVÍ MIKROVLNNÉ ENERGIE

(a) Nepokoušejte se používat tuto troubu s otevřenými dvířky, protože to by mohlo vést ke škodlivému vystavení mikrovlnné energii. Je důležité zabránit rozbití nebo neodborné manipulaci s bezpečnostním blokováním.

(b) Neumisťujte žádné předměty mezi čelní stranu trouby a dvířka, ani nedovolte, aby se na povrchu těsnění hromadila špína nebo zbytky čisticích prostředků.

(c) **VAROVÁNÍ:** Jestliže jsou poškozená dvířka nebo jejich těsnění, trouba se nesmí používat, dokud nebude opravena kompetentní osobou.

DODATEK

Jestliže není spotřebič udržován v čistém stavu, jeho povrch by se mohl narušit, což by ovlivnilo životnost spotřebiče a vedlo ke vzniku nebezpečné situace.

Technické údaje

Model:	CMW20SMW / CMW20SMB
Jmenovité napětí:	230 V~, 50 Hz
Jmenovitý příkon (mikrovlnná trouba):	1050 W
Jmenovitý výkon (mikrovlnná trouba):	700 W
Objem trouby:	20 l
Průměr otočného talíře:	Ø 255 mm
Vnější rozměry:	439.5*357.5*258.2mm
Čistá hmotnost:	Přibližně 10.2 kg

DŮLEŽITÉ BEZPEČNOSTNÍ POKYNY A VAROVÁNÍ

Dodržujte základní bezpečnostní opatření včetně následujících, aby se snížilo nebezpečí požáru, úrazu elektrickým proudem, zranění osob nebo vystavení nadměrnému množství mikrovlnné energie při používání spotřebiče:

1. Zejména si přečtěte a dodržujte: „OPATŘENÍ, KTERÁ MAJÍ ZAMEZIT PŘÍPADNÉMU VYSTAVENÍ NADMĚRNÉMU MNOŽSTVÍ MIKROVLNNÉ ENERGIE“.
2. Tento spotřebič mohou používat děti starší osmi let a osoby s omezenými fyzickými, smyslovými nebo duševními schopnostmi nebo osoby nezkušené a neznalé za předpokladu, že mají zajištěný dohled nebo byly poučeny o bezpečném používání spotřebiče a chápou související rizika. Děti si se spotřebičem nesmějí hrát. Děti nesmějí provádět čištění a uživatelskou údržbu bez dozoru.
3. Uchovávejte spotřebič a jeho kabel mimo dosah dětí mladších osmi let.
4. Pokud se poškodí napájecí kabel, výměnu musí provést výrobce, jeho servisní zástupce nebo osoba s podobnou kvalifikací, aby se vyloučilo riziko.
5. **VAROVÁNÍ:** Před výměnou žárovky se ujistěte, že je spotřebič vypnutý, aby se předešlo úrazu elektrickým proudem.
6. **VAROVÁNÍ:** Provádění jakékoli údržby nebo opravy zahrnující sejmutí krytu, který chrání před vystavením mikrovlnné energii, je nebezpečné pro kohokoli kromě kompetentní osoby.

7. VAROVÁNÍ: Tekutiny a jiné potraviny se nesmí ohřívat v uzavřených nádobách, protože by mohly vybuchnout.
8. Při ohřívání potravin v plastových nebo papírových nádobách sledujte troubu, protože existuje možnost vznícení.
9. Používejte pouze náčiní vhodné pro mikrovlnné trouby.
10. Jestliže se objeví kouř, vypněte spotřebič nebo ho odpojte od napájení a nechte dvířka zavřená, aby se plameny udusili.
11. Mikrovlnný ohřev nápojů může vést ke zpožděnému prudkému varu, proto je nutné dávat pozor při manipulaci s nádobou.
12. Obsah kojeneckých láhví a dětské výživy ve sklenicích se musí zamíchat nebo protřepat a před krmením je nutné zkontrolovat jeho teplotu, aby se zamezilo popálení.
13. V mikrovlnné troubě by se neměla ohřívat vejce ve skořápkách a celá vejce na tvrdo, protože by mohla vybuchnout, a to i po skončení mikrovlnného ohřevu.
14. Trouba by se měla pravidelně čistit včetně odstraňování veškerých usazenin pokrmů.
15. Když se trouba nebude udržovat v čistém stavu, mohlo by to vést k narušení povrchu, což by mohlo nepříznivě ovlivnit životnost spotřebiče a případně způsobit nebezpečnou situaci.
16. Spotřebič se nesmí instalovat za dekorační dvířka, aby se zamezilo přehřívání. (Toto neplatí pro spotřebiče s dekoračními dvířky.)

17. Používejte pouze teplotní sondu doporučenou pro tuto troubu. (u trub vybavených možností použití teplotní sondy).
18. Mikrovlnná trouba nesmí být umístěna ve skříňce, pokud nebylo použití ve skříňce otestováno.
19. Mikrovlnná trouba musí být provozována s otevřenými dekoračními dvířky (pro trouby s dekoračními dvířky).
20. Spotřebič je určen k použití v domácnosti a podobných místech, jako jsou:
 - kuchyňky pro personál v obchodech, kancelářích a na dalších pracovištích;
 - hotely, motely a dalších obytné objekty, v nichž je používán zákazník;
 - na chalupách;
 - ubytovací zařízení typu penzionu se snídaní.
21. Mikrovlnná trouba je určena k ohřívání pokrmů a nápojů. Sušení potravin nebo oblečení a ohřívání ohřívacích podušek, pantoflí, houbiček, vlhkých látek apod. by mohlo vést k riziku zranění, vznícení nebo požáru.
22. V mikrovlnné troubě není dovoleno připravovat pokrmy a nápoje v kovových nádobách.
23. Spotřebič se nesmí čistit parním čističem.
24. Spotřebič je určen k použití jako volně stojící.
25. Zadní plocha spotřebičů musí být umístěna u stěny.

**POZORNĚ SI PŘEČTĚTE A USCHOVEJTE
PRO BUDOUCÍ POUŽITÍ**

Instalace uzemnění za účelem snížení rizika zranění

NEBEZPEČÍ

Nebezpečí úrazu elektrickým proudem. Kontakt s některými vnitřními součástmi může způsobit vážné zranění nebo usmrcení. Nerozebírejte tento spotřebič.

VAROVÁNÍ

Nebezpečí úrazu elektrickým proudem. Nesprávné uzemnění může vést k úrazu elektrickým proudem. Nezapojte spotřebič do zásuvky, dokud nebude správně nainstalovaný a uzemněný.

Tento spotřebič musí být uzemněný. Uzemnění snižuje riziko úrazu elektrickým proudem v případě elektrického zkratu tím, že poskytuje vodič pro odvod elektrického proudu. Tento spotřebič je vybaven kabelem s uzemňovacím vodičem a uzemňovací zástrčkou. Zástrčku je nutné zasunout do náležitě nainstalované a uzemněné zásuvky. Pokud plně nechápete pokyny pro uzemnění nebo máte

pochybnosti, zda je spotřebič správně uzemněný, poraďte se s kvalifikovaným elektrikářem nebo servisním technikem. Jestliže je zapotřebí použít prodlužovací kabel, použijte pouze trojžilový prodlužovací kabel.

1. Dodaný napájecí kabel je krátký, aby se snížilo riziko zamotání nebo zakopnutí o delší kabel.
2. Pokud se používá dlouhý připojený nebo prodlužovací kabel:
 - 1) Jmenovité hodnoty elektrického napájení vyznačené na připojeném nebo prodlužovacím kabelu musí být alespoň stejně velké jako hodnoty spotřebiče.
 - 2) Prodlužovací kabel musí být trojžilový kabel s uzemněním.
 - 3) Dlouhý kabel by měl být veden tak, aby nevisel přes pracovní desku nebo desku stolu na místě, kde by za něj mohly tahat děti nebo kde by o něj mohl někdo neúmyslně zakopnout.

ČIŠTĚNÍ

Je nutné odpojit spotřebič od napájení.

1. Po použití otřete vnitřní prostor trouby navlhčeným hadrem.
2. Umyjte příslušenství běžným způsobem v mýdlové vodě.
3. Když jsou rám dvířek, těsnění a okolní součásti znečištěné, musíte je pečlivě očistit vlhkým hadrem.
4. K čištění skla ve dvířkách trouby nepoužívejte drsné čisticí prostředky s brusným účinkem ani ostré kovové škrabky, protože by mohly poškrábat povrch, což by mohlo vést k roztříštění skla.
5. Tip pro čištění – pro snazší čištění stěn vnitřního prostoru, které se mohou dotýkat připravovaných pokrmů: Vložte do mísy polovinu citronu, přidejte 300 ml vody a na 10 minut zapněte mikrovlnnou troubu nastavenou na 100% výkon. Otřete troubu měkkou, suchou látkou.

KUCHYŇSKÉ NÁČINÍ

POZOR

Nebezpečí zranění

Provádění jakékoli údržby nebo opravy zahrnující sejmutí krytu, který chrání před vystavením mikrovlnné energii, je nebezpečné pro kohokoli kromě kompetentní osoby.

Viz pokyny „Materiály, které lze používat v mikrovlnné troubě nebo kterým se v mikrovlnné troubě vyhýbat“. Může existovat určité nekovové kuchyňské náčiní, jehož používání pro mikrovlnný ohřev není bezpečné. Máte-li pochybnosti, můžete dotčené náčiní vyzkoušet podle níže popsaného postupu.

Zkouška kuchyňského náčiní:

1. Naplňte nádobu určenou pro mikrovlnnou troubu jedním šálkem (250 ml) studené vody a vložte do ní dotčené náčiní.
2. Ohřívejte jednu minutu na maximální výkon.
3. Opatrně se dotkněte náčiní. Jestliže je prázdné náčiní teplé, nepoužívejte ho k přípravě pokrmů s mikrovlnným ohřevem.
4. Délka ohřevu nesmí překročit jednu minutu.

Materiály, které lze používat v mikrovlnné troubě

Kuchyňské náčiní	Poznámky
Gratinovací mísa	Řiďte se pokyny výrobce. Dno gratinovací mísy musí být alespoň 5 mm nad otočným talířem. Nesprávné použití může způsobit rozbití otočného talíře.
Stolní nádobí	Pouze výrobky určené pro mikrovlnnou troubu. Řiďte se pokyny výrobce. Nepoužívejte prasklé nebo otlučené nádobí.
Zavařovací sklenice	Vždy sejměte víčko. Používejte pouze k ohřevu pokrmu, dokud nebude teplý. Většina zavařovacích sklenic není žáruvzdorná a mohla by prasknout.
Skleněné nádobí	Pouze žáruvzdorné skleněné nádobí pro troubu. Ujistěte se, že nemá metalické lemování. Nepoužívejte prasklé nebo otlučené nádobí.
Sáčky na pečení v troubě	Řiďte se pokyny výrobce. Nezapínejte kovovou sponu. Nařízněte je, aby mohla unikát pára.
Papírové talíře a kelímky	Používejte pouze ke krátkodobému vaření/ohřevu. Během ohřevu nenechávejte troubu bez dozoru.
Papírové utěrky	Používejte k zakrývání pokrmů za účelem přihřívání a absorbování tuku. Používejte pouze pod dozorem ke krátkodobé přípravě pokrmů.
Pergamenový papír	Používejte k zakrývání, aby se předešlo rozstříku, nebo k obalování při pečení v páře.
Plasty	Pouze výrobky určené pro mikrovlnnou troubu. Řiďte se pokyny výrobce. Měly by být označeny jako „určené pro mikrovlnnou troubu“. Některé plastové nádoby během ohřívání pokrmu uvnitř měknou. „Varné sáčky“ a těsně uzavřené plastové sáčky by se měly naříznout, propíchnout nebo odvětrat podle pokynů na obalu.
Plastové fólie	Pouze výrobky určené pro mikrovlnnou troubu. Používejte k zakrývání potravin během přípravy, aby si udržely vlhkost. Zabraňte tomu, aby se plastové fólie dotýkaly potravin.
Teploměry	Pouze výrobky určené pro mikrovlnnou troubu (teploměry na maso a cukroví).
Voskový papír	Používejte k zakrývání, aby se předešlo rozstříku a ztratě vlhkosti.

Materiály, kterým se v mikrovlnné troubě vyhýbat

Kuchyňské náčiní	Poznámky
Hliníkový plech	Mohl by způsobit vznik elektrického oblouku. Přemístěte pokrm do mísy určené pro mikrovlnnou troubu.
Kartónový obal na potraviny s kovovým držadlem	Mohl by způsobit vznik elektrického oblouku. Přemístěte pokrm do mísy určené pro mikrovlnnou troubu.
Kovové náčiní nebo náčiní s kovovým lemováním	Kov stíní potraviny před mikrovlnnou energií. Kovové lemování by mohlo způsobit vznik elektrického oblouku.
Kovové stahovací pásky	Mohly by způsobit vznik elektrického oblouku a oheň v troubě.
Papírové sáčky	Mohly by způsobit oheň v troubě.
Pěnové plasty	Pěnové plasty by se mohly působením vysoké teploty roztavit nebo kontaminovat tekutinu uvnitř.
Dřevo	Dřevo při používání v mikrovlnné troubě vyschne a mohlo by se rozštěpit nebo prasknout.

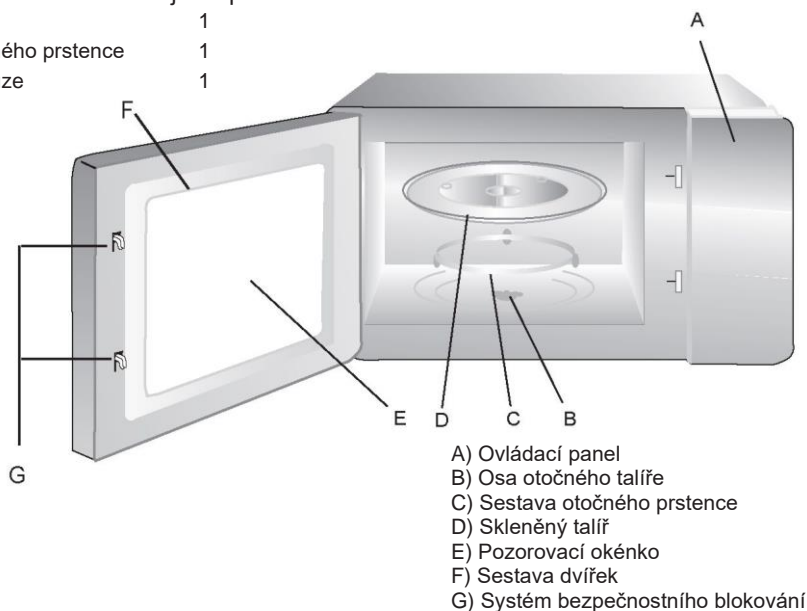
SESTAVENÍ TROUBY

Názvy součástí trouby a příslušenství

Vyjměte troubu a všechny materiály z kartónového obalu a vnitřního prostoru trouby.

Trouba se dodává s následujícím příslušenstvím:

Skleněný talíř	1
Sestava otočného prstence	1
Návod k obsluze	1



Instalace otočného talíře



- Nikdy nepokládejte skleněný talíř spodní stranou vzhůru. Nic nesmí omezovat skleněný talíř v pohybu.
- Během přípravy pokrmů se musí vždy používat skleněný talíř i sestava otočného prstence.
- Všechny potraviny a pokrmy v nádobách se musí vždy pokládat na skleněný talíř.
- Dojde-li k prasknutí nebo rozbítní skleněného talíře nebo sestavy otočného prstence, obraťte se na nejbližší autorizované servisní středisko.

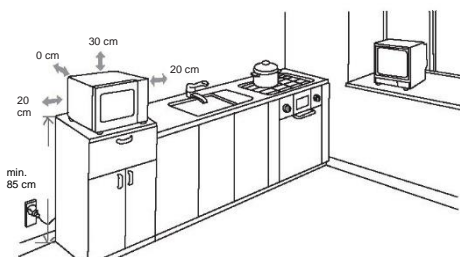
Instalace pracovní desky

Odstraňte veškerý obalový materiál a příslušenství. Zkontrolujte, zda není trouba poškozena, například zda nevidíte promáčkliny nebo rozbitá dvířka. Pokud je trouba poškozená, neinstalujte ji.

Skříň: Odstraňte ochrannou fólii, která se nachází na povrchu skříňe mikrovlnné trouby. Neodstraňujte světle hnědý slídový kryt, který je připevněn k vnitřnímu prostoru trouby a chrání magnetron.

Instalace

1. Vyberte rovný povrch, který poskytuje dostatek volného prostoru pro sací a/nebo výstupní otvory.



(1) Minimální instalační výška je 85 cm.

(2) Zadní plocha spotřebičů musí být umístěna u stěny.

Nad troubou ponechte minimální volný prostor 30 cm, mezi troubou a přilehlými stěnami je nutný minimální volný prostor 20 cm.

(3) Neodstraňujte nožičky ze dna trouby.

(4) Zablokování sacích a/nebo výstupních otvorů může troubu poškodit.

(5) Umístěte troubu co nejdále od rádií a televizorů. Provoz mikrovlnné trouby může způsobit rušení rozhlasového nebo televizního příjmu.

2. Zapojte troubu do standardní domácí zásuvky. Ujistěte se, že napětí a frekvence odpovídají napětí a frekvenci na výrobním štítku.

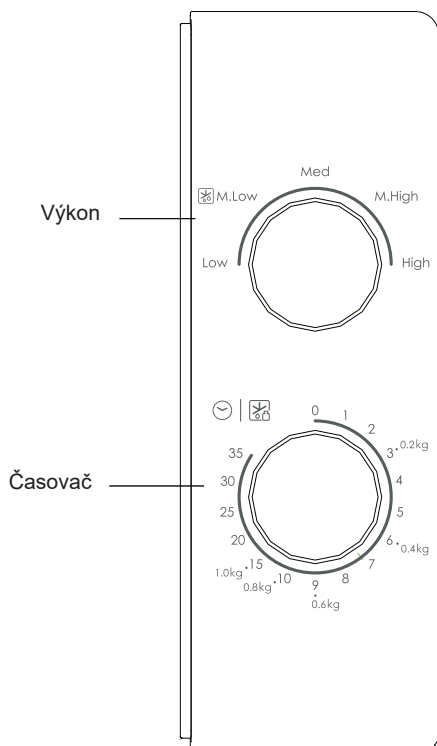
VAROVÁNÍ: Neinstalujte troubu nad varnou desku nebo jiný tepelný spotřebič. Při instalaci v blízkosti zdroje tepla nebo nad ním by mohlo dojít k poškození trouby a ztrátě záruky.

Přístupný povrch nesmí být za provozu horký.



PROVOZ

Pokyny pro ovládání ovládacího panelu a funkcí



1. Chcete-li nastavit výkon ohřevu, otočte knoflík výkonu na požadovaný stupeň.
2. Chcete-li nastavit dobu pečení, otočte knoflík časovače na požadovaný čas podle pokynů pro přípravu pokrmu.
3. Až nastavíte stupeň výkonu a čas, mikrovlnná trouba se automaticky spustí.
4. Po uplynutí doby ohřevu se ozve zvuk zvonku a spotřebič se zastaví.
5. Jestliže se spotřebič nepoužívá, vždy nastavte čas na hodnotu „0“.

Funkce/stupeň	Výkon	Použití
Low	119 W	Rozpouštění zmrzliny
Med. Low (rozmrazování)	231 W	Polévka, dušené pokrm, rozpouštění másla nebo rozmrazování
Med.	385 W	Dušené pokrm, ryby
Med. High	539 W	Rýže, ryby, kuře, mleté maso
High	700 W	Přihřívání, mléko, vaření vody, zelenina, nápoje

Upozornění: Při vyjímání pokrmu z trouby otočte volič časovače na nulu (0), aby bylo jisté, že je trouba vypnutá.

Pokud tak neučiníte a zapnete mikrovlnnou troubu bez pokrmu uvnitř, mohlo by dojít k přehřátí a poškození magnetronu.

Řešení problémů

Normální	
Mikrovlnná trouba ruší televizní příjem	Za provozu mikrovlnné trouby může docházet k rušení příjmu rozhlasového a televizního signálu. Rušení je podobné jako u malých elektrických spotřebičů, například mixéru, vysavače a elektrického ventilátoru. Jedná se o normální jev.
Ztlumení osvětlení trouby	Při přípravě pokrmů s mikrovlnným ohřevem na malý výkon se může ztlumit osvětlení. Jedná se o normální jev.
Usazování páry na dvířkách, horký vzduch vycházející z větracích štěrbin	Při ohřevu může z pokrmu vycházet pára. Většina se dostane ven skrz větrací štěrbinu. Ale trochu páry se může usadit na nějakém chladném místě, jako jsou dvířka trouby. Jedná se o normální jev.
Neúmyslné spuštění trouby bez pokrmu uvnitř.	Je zakázáno spouštět spotřebič, když uvnitř není žádný pokrm. Je to velmi nebezpečné.

Problém	Možná příčina	Náprava
Troubu nelze spustit.	(1) Napájecí kabel není správně zapojený v zásuvce.	Vytáhněte zástrčku ze zásuvky. Potom ji po 10 sekundách opět zasuňte.
	(2) Spálená pojistka nebo vypnutý jistič.	Vyměňte pojistku nebo znovu zapněte jistič (opravu musí provést odborný personál naší společnosti)
	(3) Problém se zásuvkou.	Vyzkoušejte zásuvku pomocí jiných elektrických spotřebičů.
Trouba nehřeje.	(4) Nejsou správně zavřena dvířka.	Důkladně zavřete dvířka.



Tento spotřebič je označen v souladu s evropskou směrnicí 2012/19/EU o odpadních elektrických a elektronických zařízeních (OEEZ). OEEZ obsahují jak znečišťující látky (které mohou mít negativní vliv na životní prostředí), tak i základní prvky (které mohou být znovu použity). Je důležité, aby OEEZ podstoupily zvláštní zpracování, aby bylo možné správně odstranit a zlikvidovat znečišťující látky a znovu využít všechny materiály.

Jednotlivci mohou hrát významnou roli při ochranné životního prostředí před OEEZ; je nezbytné dodržovat několik základních pravidel:

- s odpadními elektrickými a elektronickými zařízeními se nesmí zacházet jako s domovním odpadem;
- OEEZ by měly být odvezeny do speciálních sběrných dvorů spravovaných místním úřadem nebo registrovanou společností.

V mnoha zemích může být k dispozici vyzvednutí velkých OEEZ u zákazníka. Když koupíte nový spotřebič, můžete starý odevzdat obchodníkovi, který musí bezplatně přijmout jeden starý spotřebič za jeden nový prodaný spotřebič, pokud se jedná o ekvivalentní typ se stejnými funkcemi, jaké má nový zakoupený spotřebič.



Mikrovalna pećnica

PRIRUČNIK S UPUTAMA

**MODEL: CMW20SMW
CMW20SMB**

Pažljivo pročitajte ove upute prije upotrebe mikrovalne pećnice i čuvajte ih pažljivo.

Ako slijedite upute, pećnica će vam pružiti dugogodišnju dobru uslugu.

PAŽLJIVO SPREMITE OVE UPUTE

MJERE OPREZA ZA IZBJEGAVANJE MOGUĆE IZLOŽENOSTI PREKOMJERNOJ MIKROVALNOJ ENERGIJI

(a) Ne pokušavajte upotrebljavati ovu pećnicu s otvorenim vratima jer to može dovesti do štetnog izlaganja mikrovalnoj energiji. Važno je da ne razbijete ili ne mijenjate sigurnosne brave.

(b) Nemojte stavljati nikakve predmete između prednje strane pećnice i vrata niti dopustiti da se prljavština ili ostaci sredstva za čišćenje nakupljaju na brtvenim površinama.

(c) UPOZORENJE: Ako su vrata ili brtve vrata oštećene, pećnica se ne smije upotrebljavati dok je ne popravi ovlaštena osoba.

DODATAK

Ako se uređaj ne održava čistim, njegova se površina može oštetiti i utjecati na vijek trajanja uređaja te dovesti do opasne situacije.

Specifikacije

Model:	CMW20SMW / CMW20SMB
Nazivni napon:	230 V~ 50 Hz
Nazivna ulazna snaga (mikrovalna):	1050 W
Nazivna izlazna snaga (mikrovalna):	700 W
Kapacitet pećnice:	20 l
Promjer okretne ploče:	Ø 255 mm
Vanjske dimenzije:	439.5*357.5*258.2mm
Neto težina:	Pribl. 10.2 kg

VAŽNE SIGURNOSNE UPUTE

Kako biste smanjili rizik od požara, strujnog udara, ozljeda osoba ili izlaganja prekomjernoj energiji mikrovalne pećnice pri upotrebi uređaja, pridržavajte se osnovnih mjera opreza, uključujući sljedeće:

1. Pročitajte i pridržavajte se sljedećeg: "MJERE OPREZA KAKO BI SE IZBJEGLO MOGUĆE IZLAGANJE PREKOMJERNOJ MIKROVALNOJ ENERGIJI".
2. Ovaj uređaj mogu upotrebljavati djeca starija od 8 godina i osobe sa smanjenim fizičkim, osjetilnim ili mentalnim sposobnostima ili nedostatkom iskustva i znanja ako su pod nadzorom ili su dobili upute u vezi sa sigurnom upotrebom uređaja te ako shvaćaju povezane opasnosti. Djeca se ne smiju igrati uređajem. Djeca ne smiju čistiti niti održavati uređaj bez nadzora.
3. Uređaj i kabel držite izvan dohvata djece mlađe od 8 godina.
4. Ako je kabel za napajanje oštećen, treba ga zamijeniti proizvođač, njegov serviser ili osobe sličnih kvalifikacija da bi se izbjegla opasnost.
5. UPOZORENJE: Pobrinite se da je uređaj isključen prije zamjene žarulje kako biste izbjegli mogućnost nastanka strujnih udara.
6. UPOZORENJE: Opasno je za bilo koga, osim za osposobljenu osobu, da izvrši bilo koji servis ili popravak koji uključuje uklanjanje pokrova koji pruža zaštitu od izlaganja mikrovalnoj energiji.
7. UPOZORENJE: Tekućine i druga hrana ne smiju se zagrijavati u zatvorenim posudama jer mogu eksplodirati.

8. Prilikom zagrijavanja hrane u plastičnim ili papirnatim posudama pazite na pećnicu zbog mogućnosti paljenja.
9. Upotrebljavajte samo pribor koji je prikladan za upotrebu u mikrovalnim pećnicama.
10. Ako se uređaj dimi, isključite ili odspojite ga i držite vrata zatvorena kako biste ugasili plamen.
11. Mikrovalno zagrijavanje napitaka može rezultirati odgođenim eruptivnim vrenjem, stoga je potrebno biti oprezan pri rukovanju posudom.
12. Sadržaj bočica za hranjenje i posuda za hranu za bebe mora se promiješati ili protresti i provjeriti temperatura prije konzumacije kako bi se izbjegle opekline.
13. Jaja u ljusci i cijela tvrdo kuhana jaja ne smiju se zagrijavati u mikrovalnim pećnicama jer mogu eksplodirati, čak i nakon završetka mikrovalnog zagrijavanja.
14. Pećnicu treba redovito čistiti i uklanjati naslage hrane.
15. Neodržavanje pećnice čistom može dovesti do propadanja površine koje može negativno utjecati na vijek trajanja uređaja i možda dovesti do opasne situacije.
16. Uređaj se ne smije postaviti iza dekorativnih vrata da bi se izbjeglo pregrijavanje. (Ovo nije primjenjivo za uređaje s dekorativnim vratima.)
17. Upotrebljavajte samo temperaturnu sondu koja se preporučuje za ovu pećnicu. (Za pećnice s opremom za upotrebu sonde za osjet temperature.)
18. Mikrovalna pećnica ne smije se stavljati u ormarić osim ako nije ispitana u ormariću.
19. Mikrovalna pećnica mora raditi s otvorenim dekorativnim vratima. (Za pećnice s dekorativnim vratima.)

20. Ovaj uređaj namijenjen je za upotrebu u kućanstvu i za slične namjene kao što su:
- prostor za blagovanje unutar trgovina, ureda ili drugih radnih prostora;
 - za klijente u hotelima, motelima i drugim vrstama stambenog okruženja;
 - seoske kuće;
 - okruženja poput ugostiteljskih objekata koji nude noćenje i doručak.
21. Mikrovalna pećnica namijenjena je zagrijavanju hrane i pića. Sušenje hrane ili odjeće i zagrijavanje jastučića za grijanje, papuča, spužvi, vlažne krpe i slično može povećati rizik od ozljeda, paljenja ili požara.
22. Metalne posude za hranu i pića nisu dopuštene tijekom mikrovalnog kuhanja.
23. Uređaj se ne smije čistiti parnim čistačem.
24. Uređaj je namijenjen samostalnom korištenju.
25. Stražnja površina uređaja mora biti postavljena uz zid.

**PAŽLJIVO PROČITAJTE I ČUVAJTE
ZA BUDUĆU REFERENCU**

Smanjenje rizika od ozljeda osoba koje uzemljuju instalaciju

OPASNOST

Opasnost od strujnog udara
Dodirivanje nekih unutarnjih komponenti može uzrokovati ozbiljne ozljede ili smrt. Nemojte rastavljati ovaj uređaj.

UPOZORENJE

Opasnost od strujnog udara
Neppravilno uzemljenje može dovesti do strujnog udara. Nemojte spajati uređaj na utičnicu sve dok uređaj nije pravilno postavljen i uzemljen.

Ovaj uređaj mora biti uzemljen. U slučaju kratkog spoja, uzemljenje smanjuje rizik od strujnog udara osiguravanjem žice za odvod električne struje. Ovaj uređaj opremljen je kabelom koji ima žicu za uzemljenje s utikačem za uzemljenje. Utikač mora biti priključen na utičnicu koja je pravilno postavljena i uzemljena. Posavjetujte se s kvalificiranim električarom

ili serviserom ako upute za uzemljenje nisu u potpunosti razumljive ili ako postoji sumnja je li uređaj pravilno uzemljen. Ako je potrebno upotrebljavati produžni kabel, upotrebljavajte samo trožični produžni kabel.

1. Osiguran je kratki kabel za napajanje kako bi se smanjili rizici od zapetljavanja ili spoticanja preko dužeg kabela.
2. Upotrebljavate li dugački kabel ili produžni kabel:
 - 1) Označena električna snaga kompleta kabela ili produžnog kabela trebala bi biti barem onolika kolika je električna struja uređaja.
 - 2) Produžni kabel mora biti trožični kabel za uzemljenje.
 - 3) Dugi kabel treba biti postavljen tako da ne visi preko radne površine ili stola gdje djeca mogu zapeti za njega ili se nenamjerno spotaknuti.

ČIŠĆENJE

Obavezno odspojite uređaj iz napajanja.

1. Očistite unutrašnjost pećnice nakon upotrebe blago vlažnom krpom.
2. Očistite pribor na uobičajen način u vodi sa sapunom.
3. Okvir i brtva vrata te susjedni dijelovi moraju se pažljivo očistiti vlažnom krpom kada su prljavi.
4. Ne upotrebljavajte abrazivne deterdžente ili oštre metalne strugače za čišćenje stakla na vratima pećnice jer se može oštetiti površina, a to može uzrokovati lom stakla.
5. Savjet za čišćenje---Za lakše čišćenje stijenki unutrašnjosti koje kuhana hrana može dodirnuti: Stavite pola limuna u zdjelu, dodajte 300 ml (1/2 litre) vode i zagrijavajte na 100 % mikrovalne energije 10 minuta. Obrišite pećnicu mekom, suhom krpom.

PRIBOR

OPREZ

Opasnost od ozljeda

Opasno je za bilo koga, osim za osposobljenu osobu, da izvrši bilo koji servis ili popravak koji uključuje uklanjanje pokrova koji pruža zaštitu od izlaganja mikrovalnoj energiji.

Pogledajte upute u odjeljku "Materijali koje možete upotrebljavati u mikrovalnoj pećnici ili koje treba izbjegavati u mikrovalnoj pećnici." Možda postoje određeni nemetalni pribor koji nije siguran za upotrebu u mikrovalnoj pećnici. Ako ste u nedoumici, određeni pribor možete testirati slijedeći postupak u nastavku.

Testiranje pribora:

1. Napunite posudu sigurnu za mikrovalnu pećnicu jednom šalicom hladne vode (250 ml) zajedno s priborom.
2. Kuhajte maksimalnom snagom 1 minutu.
3. Oprezno opipajte pribor. Ako je prazan pribor topao, nemojte ga upotrebljavati za mikrovalno kuhanje.
4. Vrijeme kuhanja ne smije biti dulje od 1 minute.

Materijali koje možete upotrebljavati u mikrovalnoj pećnici

Pribor	Primjedbe
posuda za pečenje	Slijedite upute proizvođača. Dno posude za pečenje mora biti najmanje 3/16 inča (5 mm) iznad okretno ploče. Nepravilna upotreba može uzrokovati pucanje okretno ploče.
pribor za jelo	Samo za mikrovalnu pećnicu. Slijedite upute proizvođača. Nemojte upotrebljavati napuknute ili oštećene posude.
staklenke	Uvijek uklonite poklopac. Upotrebljavajte ih samo dok hrane ne postane topla. Većina staklenki nije otporna na toplinu i može puknuti.
stakleno posuđe	Samo stakleno posuđe otporno na toplinu. Pobrinite se da nema metalne obloge. Nemojte upotrebljavati napuknute ili oštećene posude.
vrećice za kuhanje u pećnici	Slijedite upute proizvođača. Ne zatvarajte ih metalnom vezicom. Napravite proreze kako biste omogućili izlazak pare.
papirnat tanjuri i čaše	Upotrebljavajte ih samo za kratkotrajno kuhanje/zagrijavanje. Ne ostavljajte pećnicu bez nadzora tijekom kuhanja.
papirnat ručnici	Upotrebljavajte ih za pokrivanje hrane za zagrijavanje i upijanje masti. Upotrebljavajte ih uz nadzor samo za kratkoročno kuhanje.
papir za pečenje	Upotrebljavajte ga kao pokrov kako biste spriječili prskanje ili omot za paru.
plastika	Samo za mikrovalnu pećnicu. Slijedite upute proizvođača. Treba imati oznaku "Sigurno za mikrovalne pećnice". Neke plastične posude omekšaju dok se hrana zagrijava. "Vrećice za kuhanje" i čvrsto zatvorene plastične vrećice treba prorezati, probušiti ili odzračiti prema uputama pakiranja.
plastična folija	Samo za mikrovalnu pećnicu. Upotrebljavajte je za pokrivanje hrane tijekom kuhanja kako biste zadržali vlagu. Plastična folija ne smije dodirivati hranu.
termometri	Samo za mikrovalnu pećnicu (termometri za meso i slatkiše).
voštani papir	Upotrebljavajte ga kao pokrov kako biste spriječili prskanje i zadržali vlagu.

Materijali koje treba izbjegavati u mikrovalnoj pećnici

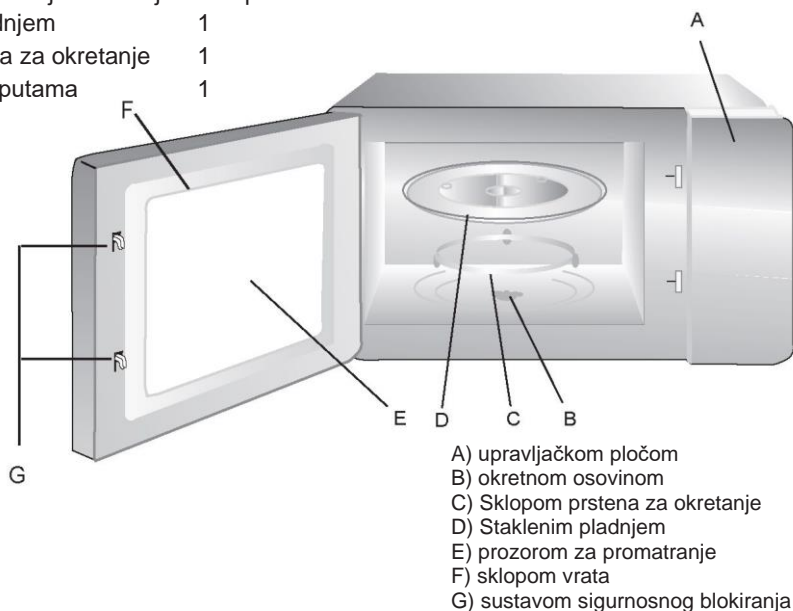
Pribor	Primjedbe
aluminijski pladanj	Može uzrokovati iskrenje. Prebacite hranu u posudu sigurnu za mikrovalnu pećnicu.
kartonska kutija za hranu s metalnom ručkom	Može uzrokovati iskrenje. Prebacite hranu u posudu sigurnu za mikrovalnu pećnicu.
metal ili pribor s metalnim oblogama	Metal štiti hranu od mikrovalne energije. Metalna obloga može uzrokovati iskrenje.
metalne žice	Mogu uzrokovati iskrenje i požar u pećnici.
Papirnat vrećice	Mogu izazvati požar u pećnici.
plastična pjena	Plastična pjena može otopiti ili kontaminirati tekućinu u unutrašnjosti kada je izložena visokoj temperaturi.
drvo	Drvo će se isušiti kada se upotrebljava u mikrovalnoj pećnici i može napuknuti ili puknuti.

POSTAVLJANJE PEĆNICE

Nazivi dijelova pećnice i pribora za pećnicu

Izvadite pećnicu i sve materijale iz kartonske kutije i unutrašnjosti pećnice. Vaša pećnica isporučuje se sa sljedećim priborom:

Stakleni pladnjem	1
Sklop prstena za okretanje	1
Priručnik s uputama	1



Postavljanje okretne ploče



- Nikada ne stavljajte stakleni pladanj naopako. Stakleni pladanj nikada ne smije biti ograničen.
- Tijekom kuhanja uvijek se moraju upotrebljavati stakleni pladanj i sklop prstena za okretanje.
- Sva hrana i posude s hranom uvijek se stavljaju na stakleni pladanj za kuhanje.
- Ako stakleni pladanj ili sklop prstena za okretanje pukne ili se slomi, obratite se najbližem ovlaštenom servisu.

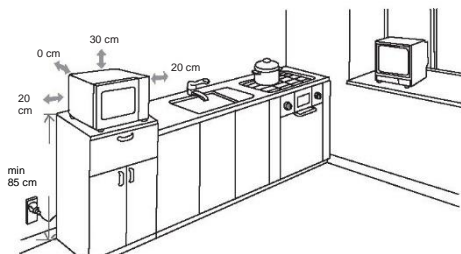
Postavljanje na radnu ploču

Uklonite sav ambalažni materijal i pribor. Provjerite ima li u pećnici oštećenja poput udubljenja ili slomljenih vrata. Nemojte ugrađivati pećnicu ako je oštećena.

Ormarić: Uklonite svu zaštitnu foliju koja se nalazi na površini ormarića mikrovalne pećnice. Nemojte uklanjati svijetlosmeđi poklopac Mica koji je pričvršćen na unutrašnjost pećnice radi zaštite magnetron.

Ugradnja

1. Odaberite ravnu površinu koja osigurava dovoljno otvorenog prostora za ulazne i/ili izlazne ventilacijske otvore.



(1) Minimalna visina ugradnje iznosi 85 cm.
 (2) Stražnja površina uređaja mora biti postavljena uz zid.

Ostavite minimalni razmak od 30 cm iznad pećnice, potreban je minimalni razmak od 20 cm između pećnice i susjednih zidova.

(3) Nemojte skidati noge s dna pećnice.

(4) Blokiranje usisnih i/ili izlaznih otvora može oštetiti pećnicu.

(5) Stavite pećnicu što dalje od radija i televizora. Rad mikrovalne pećnice može uzrokovati smetnje u radijskom ili televizijskom prijemu.

2. Priključite pećnicu u standardnu utičnicu za kućanstvo. Provjerite jesu li napon i frekvencija jednaki naponu i frekvenciji na naljepnici.

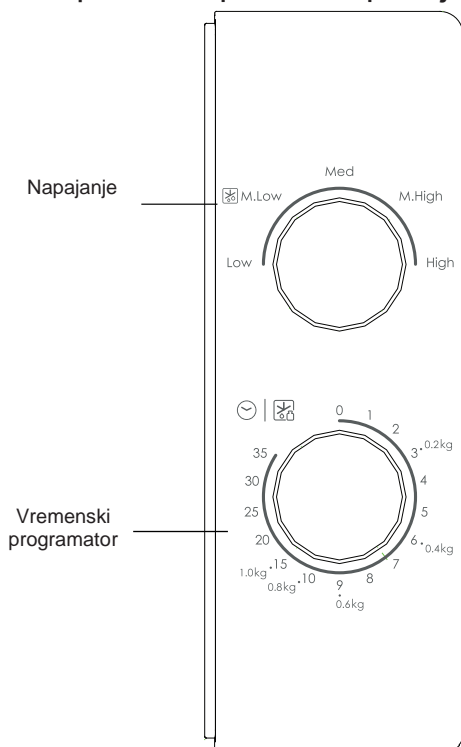
UPOZORENJE: Nemojte ugraditi pećnicu iznad ploče za kuhanje ili drugog uređaja koji proizvodi toplinu. Ako je ugrađena blizu izvora topline ili iznad njega, pećnica bi se mogla oštetiti i jamstvo bi bilo nevažeće.

Dostupna površina može tijekom rada biti vruća.



RAD

Upute za upotrebu upravljačke ploče i značajki



1. Postavite snagu kuhanja okretanjem regulatora napajanja na željenu razinu.
2. Kako biste postavili vrijeme kuhanja, okrenite regulator vremenskog programatora na željeno vrijeme prema vodiču za kuhanje hrane.
3. Mikrovalna pećnica automatski će početi kuhati nakon postavljanja razine snage i vremena.
4. Nakon isteka vremena kuhanja uređaj će se zaustaviti uz zvuk.
5. Ako uređaj nije u upotrebi, uvijek postavite vrijeme na "0".

Funkcija/napajanje	Izlaz	Primjena
Low	119 W	omekšavanje sladoleda
Med. Low (odmrzavanje)	231 W	varivo, omekšavanje maslaca ili odmrzavanje
Med.	385 W	gulaš, riba
Med. High	539 W	riža, riba, piletina, mljeveno meso
High	700 W	zagrijavanje, mlijeko, prokuhavanje vode, povrće, napitci

Napomena: Prilikom vađenja hrane iz pećnice provjerite je li pećnica isključena okretanjem sklopke sata na 0 (nula).

U suprotnom, rad mikrovalne pećnice bez hrane može dovesti do pregrijavanja i oštećenja magnetrona.

Rješavanje problema

Normalno	
Mikrovalna pećnica ometa televizijski prijem	Prilikom rada mikrovalne pećnice može doći do smetnji u radijskom i televizijskom prijemu. Slične su smetnjama malih električnih uređaja, poput miksera, usisavača i električnog ventilatora. To je normalno.
Prigušeno svjetlo pećnice	U mikrovalnim pećnicama male snage svjetlo pećnice može se prigušiti. To je normalno.
Akumulacija pare na vratima, topli zrak iz ventilacijskih otvora	Tijekom kuhanja para može izaći iz hrane. Većina će izaći iz ventilacijskih otvora. Ali može se nakupiti i na hladnom mjestu kao što su vrata pećnice. To je normalno.
Pećnica se slučajno pokrenula bez hrane u unutrašnjosti.	Zabranjeno je pokretanje uređaja bez hrane. To je vrlo opasno.

Problemi	Mogući uzrok	Rješenje
Pećnica se ne može pokrenuti.	(1)Kabel napajanja nije čvrsto spojen.	Odspojite uređaj. Zatim ga ponovno spojite nakon 10 sekundi.
	(2)Osigurač je pregorio ili se pokreće prekidač strujnog kruga.	Zamijenite osigurač ili ponovno postavite prekidač strujnog kruga (popravlja ga stručno osoblje naše tvrtke)
	(3)Problem s utičnicom.	Ispitajte utičnicu s drugim električnim uređajima.
Pećnica ne zagrijava.	(4)Vrata nisu dobro zatvorena.	Dobro zatvorite vrata.



Ovaj uređaj označen je u skladu s Europskom direktivom 2012/19/EU o otpadnoj električnoj i elektroničkoj opremi iz 2013. u pogledu električnih i elektroničkih uređaja (OEEO). Otpadna električna i elektronička oprema sadrži onečišćujuće tvari (koje mogu imati negativan učinak na okoliš) i bazne elemente (koji se mogu ponovno upotrijebiti). Važno je posebno obraditi otpadnu električnu i elektroničku opremu da bi se ispravno uklonili i odložili onečišćivači i vratili svi materijali. Pojedinci mogu imati važnu ulogu u postizanju cilja da otpadna električna i elektronička oprema ne postane ekološki problem. Treba se pridržavati nekoliko osnovnih pravila:

- oprema WEEE ne smije se zbrinjavati kao kućanski otpad;
- opremu WEEE potrebno je odnijeti na namjenska područja za prikupljanje kojima upravlja gradsko vijeće ili registrirano poduzeće.

U mnogim državama, velika se otpadna električna i elektronička oprema prikuplja i kao kućanski otpad. Pri kupnji novog uređaja, stari uređaj možete vratiti prodavaču koji će ga preuzeti besplatno, samo ako je uređaj iste vrste ili ima jednake funkcije kao i kupljeni uređaj.



Φούρνος μικροκυμάτων

ΕΓΧΕΙΡΙΔΙΟ ΧΡΗΣΗΣ

ΜΟΝΤΕΛΟ: CMW20SMW CMW20SMB

Διαβάστε προσεκτικά αυτές τις οδηγίες πριν χρησιμοποιήσετε τον φούρνο μικροκυμάτων και φυλάξτε τις για μελλοντική αναφορά.

Εάν ακολουθήσετε τις οδηγίες, ο φούρνος σας θα σας προσφέρει πολλά χρόνια καλής λειτουργίας.

ΦΥΛΑΞΤΕ ΑΥΤΕΣ ΤΙΣ ΟΔΗΓΙΕΣ

ΠΡΟΦΥΛΑΞΕΙΣ ΓΙΑ ΑΠΟΦΥΓΗ ΠΙΘΑΝΗΣ ΕΚΘΕΣΗΣ ΣΕ ΥΠΕΡΒΟΛΙΚΗ ΕΝΕΡΓΕΙΑ ΜΙΚΡΟΚΥΜΑΤΩΝ

(a) Μην επιχειρήσετε να λειτουργήσετε αυτόν τον φούρνο με ανοιχτή την πόρτα, διότι μπορεί να προκληθεί επιβλαβής έκθεση σε ενέργεια μικροκυμάτων. Είναι σημαντικό να μην σπάσετε ή παραβιάσετε τα κλειστρα ασφαλείας.

(b) Μην τοποθετείτε κανένα αντικείμενο ανάμεσα στην μπροστινή πλευρά του φούρνου και στην πόρτα και μην αφήνετε να συσσωρεύονται υπολείμματα σκόνης ή καθαριστικού στις επιφάνειες στεγανοποίησης.

(c) ΠΡΟΕΙΔΟΠΟΙΗΣΗ: Εάν η πόρτα ή τα λάστιχα της πόρτας έχουν φθαρεί, μην χρησιμοποιήσετε τον φούρνο πριν επισκευαστεί από ειδικό τεχνικό.

ΠΑΡΑΤΗΡΗΣΗ

Εάν η συσκευή δεν διατηρείται σε καλή κατάσταση καθαριότητας, η επιφάνειά της μπορεί να υποβαθμιστεί, όπως και η διάρκεια ζωής της συσκευής, με αποτέλεσμα να προκληθούν επικίνδυνες καταστάσεις.

Προδιαγραφές

Μοντέλο:	CMW20SMW / CMW20SMB
Ονομαστική τάση:	230V~50Hz
Ονομαστική ισχύς εισόδου (μικροκύματα):	1050 W
Ονομαστική ισχύς εξόδου (μικροκύματα):	700 W
Χωρητικότητα φούρνου:	20 L
Διάμετρος περιστρεφόμενου δίσκου:	Ø 255 mm
Εξωτερικές διαστάσεις:	439.5*357.5*258.2mm
Καθαρό βάρος:	Περίπου 10.2 κιλά

ΣΗΜΑΝΤΙΚΈΣ ΟΔΗΓΊΕΣ ΑΣΦΑΛΕΙΑΣ ΠΡΟΕΙΔΟΠΟΙΗΣΗ

Για να μειώσετε τον κίνδυνο πυρκαγιάς, ηλεκτροπληξίας, τραυματισμού ή έκθεσης σε υπερβολική ενέργεια φούρνου μικροκυμάτων όταν χρησιμοποιείτε τη συσκευή σας, ακολουθήστε βασικά μέτρα προφύλαξης, όπως:

1. Διαβάστε και τηρήστε τα ακόλουθα: «ΠΡΟΦΥΛΑΞΕΙΣ ΓΙΑ ΑΠΟΦΥΓΗ ΠΙΘΑΝΗΣ ΕΚΘΕΣΗΣ ΣΕ ΥΠΕΡΒΟΛΙΚΗ ΕΝΕΡΓΕΙΑ ΜΙΚΡΟΚΥΜΑΤΩΝ».
2. Η συσκευή αυτή μπορεί να χρησιμοποιηθεί από παιδιά ηλικίας 8 ετών και άνω και από άτομα με μειωμένες σωματικές, αισθητηριακές ή διανοητικές ικανότητες ή έλλειψη εμπειρίας και γνώσης, εφόσον βρίσκονται υπό εποπτεία ή εάν τους έχουν δοθεί σαφείς οδηγίες σχετικά με τη χρήση της συσκευής με ασφαλή τρόπο και έχουν κατανοήσει επακριβώς τους σχετικούς κινδύνους. Τα παιδιά δεν επιτρέπεται να παίζουν με τη συσκευή. Ο καθαρισμός και η οι εργασίες συντήρησης από τον χρήστη απαγορεύεται να γίνονται από παιδιά χωρίς επιτήρηση.
3. Μην επιτρέπετε σε παιδιά κάτω των 8 ετών να έχουν πρόσβαση στη συσκευή και το καλώδιό της.
4. Αν το καλώδιο παροχής ρεύματος έχει φθαρεί πρέπει να αντικατασταθεί από τον κατασκευαστή ή τον αντιπρόσωπο του σέρβις ή παρόμοια εξουσιοδοτημένα πρόσωπα, προς αποφυγή του κινδύνου.
5. ΠΡΟΕΙΔΟΠΟΙΗΣΗ: Βεβαιωθείτε ότι η συσκευή είναι απενεργοποιημένη πριν αντικαταστήσετε τη λάμπα, ώστε να αποφύγετε την πιθανότητα ηλεκτροπληξίας.
6. ΠΡΟΕΙΔΟΠΟΙΗΣΗ: Είναι επικίνδυνο για οποιονδήποτε άλλο εκτός από έναν ειδικό τεχνικό να πραγματοποιεί οποιαδήποτε εργασία σέρβις ή επισκευής που περιλαμβάνει την αφαίρεση ενός καλύμματος που παρέχει προστασία από την έκθεση στην ενέργεια μικροκυμάτων.

7. ΠΡΟΕΙΔΟΠΟΙΗΣΗ: Υγρά ή άλλα τρόφιμα δεν πρέπει να ζεσταίνονται σε σφραγισμένες συσκευασίες καθώς υπάρχει πιθανότητα να προκληθεί έκρηξη.
8. Όταν ζεστώνετε τρόφιμα σε πλαστικά ή χάρτινα δοχεία, πρέπει να παρατηρείτε τον φούρνο επειδή υπάρχει πιθανότητας ανάφλεξης.
9. Χρησιμοποιείτε μόνο σκεύη που είναι κατάλληλα για χρήση σε φούρνους μικροκυμάτων.
10. Εάν εκπέμπεται καπνός, θέστε αμέσως εκτός λειτουργίας τη συσκευή και αποσυνδέστε το βύσμα από την πρίζα. Κρατήστε την πόρτα κλειστή για να αποφύγετε την έξοδο φλόγας.
11. Η θέρμανση ροφημάτων με μικροκύματα μπορεί να οδηγήσει σε καθυστερημένο εκρηκτικό βρασμό και πρέπει επομένως να προσέχετε ιδιαίτερα τον χειρισμό του δοχείου.
12. Το περιεχόμενο των μπιμπερό και των βάζων παιδικών τροφών πρέπει να αναδεύεται ή να ανακινείται και να ελέγχεται η θερμοκρασία πριν από την κατανάλωση, ώστε να αποφευχθούν εγκαύματα.
13. Μην ζεσταίνετε αυγά με το τσόφλι τους και ολόκληρα βραστά αυγά σε φούρνους μικροκυμάτων, διότι μπορεί να εκραγούν ακόμη και μετά το τέλος της θέρμανσης στον φούρνο μικροκυμάτων.
14. Ο φούρνος πρέπει να καθαρίζεται τακτικά και να αφαιρούνται τυχόν υπολείμματα φαγητού.
15. Εάν ο φούρνος δεν διατηρείται σε καθαρή κατάσταση, μπορεί να προκληθεί φθορά της επιφάνειας, κάτι που θα μπορούσε να επηρεάσει αρνητικά τη διάρκεια ζωής της συσκευής και ενδεχομένως να οδηγήσει σε επικίνδυνες καταστάσεις.
16. Η συσκευή δεν πρέπει να εγκαθίσταται πίσω από διακοσμητική πόρτα, ώστε να αποφευχθεί η υπερθέρμανση. (Δεν ισχύει για συσκευές με διακοσμητική πόρτα.)
17. Χρησιμοποιείτε μόνο τον αισθητήρα θερμοκρασίας που συνιστάται για αυτόν τον φούρνο (για φούρνους που διαθέτουν δυνατότητα χρήσης αισθητήρα θερμοκρασίας).

18. Ο φούρνος μικροκυμάτων δεν πρέπει να τοποθετείται σε ντουλάπι εκτός αν έχει δοκιμαστεί σε ντουλάπι.
19. Ο φούρνος μικροκυμάτων πρέπει να λειτουργεί με τη διακοσμητική πόρτα ανοιχτή (για φούρνους με διακοσμητική πόρτα).
20. Αυτή η συσκευή προορίζεται για χρήση σε οικιακές και παρόμοιες εφαρμογές όπως:
 - κουζίνες προσωπικού σε καταστήματα, γραφεία και άλλα περιβάλλοντα εργασίας,
 - από πελάτες σε ξενοδοχεία, πανδοχεία και άλλα περιβάλλοντα οικιστικού τύπου,
 - αγροτικές (και εξοχικές) κατοικίες,
 - εγκαταστάσεις προσωρινής διαμονής με πρβινό.
21. Ο φούρνος μικροκυμάτων προορίζεται για το ζέσταμα τροφίμων και ροφημάτων. Μην χρησιμοποιείτε για να στεγνώσετε τρόφιμα ή ρούχα και για να ζεστάνετε θερμαντικές κομπρέσες, παντόφλες, σφουγγάρια, υγρά πανιά και παρόμοια αντικείμενα, διότι υπάρχει κίνδυνος τραυματισμού, ανάφλεξης ή πυρκαγιάς.
22. Δεν επιτρέπεται η χρήση μεταλλικών δοχείων για τρόφιμα και ροφήματα για μαγείρεμα στον φούρνο μικροκυμάτων.
23. Μην καθαρίζετε τη συσκευή με ατμοκαθαριστή.
24. Η συσκευή πρέπει να τοποθετείται ελεύθερη.
25. Η πίσω επιφάνεια της συσκευής πρέπει να τοποθετείται σε τοίχο.

**ΔΙΑΒΑΣΤΕ ΠΡΟΣΕΚΤΙΚΑ ΚΑΙ ΦΥΛΑΞΤΕ
ΓΙΑ ΜΕΛΛΟΝΤΙΚΗ ΑΝΑΦΟΡΑ**

Εγκατάσταση γείωσης για μείωση του κινδύνου τραυματισμού

ΚΙΝΔΥΝΟΣ

Κίνδυνος ηλεκτροπληξίας
 Η επαφή με ορισμένα εσωτερικά εξαρτήματα μπορεί να προκαλέσει σοβαρό τραυματισμό ή θάνατο. Μην αποσυναρμολογείτε τη συσκευή.

ΠΡΟΕΙΔΟΠΟΙΗΣΗ

Κίνδυνος ηλεκτροπληξίας
 Η ακατάλληλη χρήση της γείωσης μπορεί να προκαλέσει ηλεκτροπληξία. Μην συνδέσετε σε πρίζα πριν εγκαταστήσετε και γειώσετε τη συσκευή.

Η συσκευή πρέπει να γειώνεται. Σε περίπτωση ηλεκτρικού βραχυκυκλώματος, η γείωση μειώνει τον κίνδυνο ηλεκτροπληξίας μέσω του καλωδίου διαφυγής για το ηλεκτρικό ρεύμα. Η συσκευή διαθέτει ένα καλώδιο γείωσης με βύσμα γείωσης. Το βύσμα πρέπει να συνδέεται σε πρίζα που έχει τοποθετηθεί σωστά και γειώνεται. Συμβουλευτείτε έναν εξειδικευμένο ηλεκτρολόγο ή τεχνικό αν οι οδηγίες γείωσης δεν είναι πλήρως κατανοητές ή αν έχετε

αμφιβολίες για τη γείωση της συσκευής. Εάν είναι απαραίτητο να χρησιμοποιήσετε καλώδιο προέκτασης, χρησιμοποιήστε μόνο καλώδιο προέκτασης 3 αγωγών.

1. Παρέχεται ένα κοντό καλώδιο τροφοδοσίας, ώστε να περιορίζονται οι ενδεχόμενοι κίνδυνοι από ένα μακρύτερο καλώδιο, όπως να μπλεχτεί στα πόδια σας και να πέσετε.

2. Εάν χρησιμοποιείται μακρύ καλώδιο ή καλώδιο προέκτασης:

1) Η σημειωμένη ονομαστική ισχύς του παρεχόμενου καλωδίου ή του καλωδίου προέκτασης πρέπει να είναι τουλάχιστον ίση με την ονομαστική ισχύ της συσκευής.

2) Το καλώδιο προέκτασης πρέπει να είναι ένα καλώδιο 3 αγωγών με γείωση.

3) Το μακρύ καλώδιο πρέπει να τοποθετείται έτσι ώστε να μην διατρέχει τον πάγκο ή το τραπέζι και να αποκλείεται η πιθανότητα να τραβηχτεί από παιδιά ή να προκαλέσει πτώση.

ΚΑΘΑΡΙΣΜΟΣ

Αποσυνδέστε τη συσκευή από την παροχή ρεύματος.

1. Καθαρίστε την κοιλότητα του φούρνου μετά τη χρήση με ένα ελαφρώς υγρό πανί.
2. Καθαρίστε τα αξεσουάρ με τον συνήθη τρόπο σε νερό με σαπούνι.
3. Το πλαίσιο και το λάστιχο της πόρτας και τα γειτονικά μέρη πρέπει να καθαρίζονται προσεκτικά με υγρό πανί όταν είναι βρώμικα.
4. Μη χρησιμοποιείτε σκληρά λειαντικά καθαριστικά ή αιχμηρές μεταλλικές ξύστρες για να καθαρίσετε το γυαλί της πόρτας του φούρνου επειδή μπορούν να γρατζουνίσουν την επιφάνεια, με ενδεχόμενη συνέπεια τη θραύση του γυαλιού.
5. Συμβουλή καθαρισμού---Για πιο εύκολο καθαρισμό των τοιχωμάτων της κοιλότητας με τα οποία μπορεί να έρθει σε επαφή το φαγητό: Τοποθετήστε μισό λεμόνι σε ένα μπολ, προσθέστε 300 ml νερό και ζεστάνετε σε ισχύ μικροκυμάτων 100% για 10 λεπτά. Σκουπίστε τον φούρνο χρησιμοποιώντας ένα μαλακό, στεγνό πανί.

ΣΚΕΥΗ ΠΡΟΣΟΧΗ

Κίνδυνος τραυματισμού

Είναι επικίνδυνο για οποιονδήποτε άλλο εκτός από έναν ειδικό τεχνικό να πραγματοποιεί οποιαδήποτε εργασία σέρβις ή επισκευής που περιλαμβάνει την αφαίρεση ενός καλύμματος που παρέχει προστασία από την έκθεση στην ενέργεια μικροκυμάτων.

Δείτε τις οδηγίες σχετικά με «Υλικά που μπορείτε να χρησιμοποιήσετε ή να αποφύγετε στον φούρνο μικροκυμάτων». Υπάρχουν ορισμένα μη μεταλλικά σκεύη που δεν είναι ασφαλή για χρήση στον φούρνο μικροκυμάτων. Εάν έχετε αμφιβολίες, μπορείτε να δοκιμάσετε ένα συγκεκριμένο σκεύος ακολουθώντας την παρακάτω διαδικασία.

Δοκιμή σκεύους:

1. Γεμίστε ένα δοχείο κατάλληλο για φούρνο μικροκυμάτων με 1 φλιτζάνι κρύο νερό (250 ml) μαζί με σκεύος.
2. Μαγειρέψτε στη μέγιστη ισχύ για 1 λεπτό.
3. Ακουμπήστε προσεκτικά το σκεύος. Εάν το άδειο σκεύος είναι ζεστό, δεν πρέπει να το χρησιμοποιείτε για μαγείρεμα στον φούρνο μικροκυμάτων.
4. Ο χρόνος μαγειρέματος δεν πρέπει να υπερβαίνει το 1 λεπτό.

Υλικά που μπορείτε να χρησιμοποιήσετε στον φούρνο μικροκυμάτων

Σκεύη	Παρατηρήσεις
Πυρέξ	Ακολουθήστε τις οδηγίες του κατασκευαστή. Το κάτω μέρος του πυρέξ πρέπει να βρίσκεται τουλάχιστον 5 mm πάνω από τον περιστρεφόμενο δίσκο. Η λανθασμένη χρήση μπορεί να προκαλέσει τη θραύση του περιστρεφόμενου δίσκου.
Σερβίτσιο	Μόνο για φούρνο μικροκυμάτων. Ακολουθήστε τις οδηγίες του κατασκευαστή. Μην χρησιμοποιείτε ραγισμένα ή θρυμματισμένα πιάτα.
Γυάλινα βάζα	Αφαιρείτε πάντα το καπάκι. Χρησιμοποιήστε μόνο για να ζεστάνετε τρόφιμα. Τα περισσότερα γυάλινα βάζα δεν είναι ανθεκτικά στη θερμότητα και μπορεί να σπάσουν.
Γυάλινα σκεύη	Μόνο γυάλινα σκεύη ανθεκτικά στη θερμότητα. Βεβαιωθείτε ότι δεν έχουν μεταλλική επένδυση. Μην χρησιμοποιείτε ραγισμένα ή θρυμματισμένα πιάτα.
Σακούλες μαγειρέματος φούρνου	Ακολουθήστε τις οδηγίες του κατασκευαστή. Μην κλείνετε με μεταλλικό δέσιμο. Δημιουργήστε σχισμές για να διαφεύγει ο ατμός.
Χάρτινα πιάτα και ποτήρια	Χρησιμοποιήστε μόνο για μαγειρέμα/ζέσταμα μικρού χρονικού διαστήματος. Μην αφήνετε τον φούρνο χωρίς επίβλεψη κατά το μαγείρεμα.
Χαρτοπετσέτες	Χρησιμοποιήστε για να καλύψετε τα τρόφιμα που ζεσταίνετε ξανά και για την απορρόφηση λίπους. Χρησιμοποιήστε με επίβλεψη μόνο για μαγείρεμα μικρού χρονικού διαστήματος.
Λαδόκολλα	Χρησιμοποιήστε ως κάλυμμα για την αποφυγή πιτσιλίσματος ή ως περιτύλιγμα για μαγείρεμα στον ατμό.
Πλαστικά	Μόνο για φούρνο μικροκυμάτων. Ακολουθήστε τις οδηγίες του κατασκευαστή. Πρέπει να φέρουν ένδειξη «Ασφαλές για χρήση σε φούρνο μικροκυμάτων». Μερικά πλαστικά δοχεία μαλακώνουν όταν το φαγητό που περιέχουν ζεσταίνεται. Σε «σακούλες βρασμού» και σε πλαστικές σακούλες που κλείνουν ερμητικά πρέπει να δημιουργείτε σχισμές, τρύπες ή ανοίγματα σύμφωνα με τις οδηγίες της συσκευασίας.
Μεμβράνη τροφίμων	Μόνο για φούρνο μικροκυμάτων. Χρησιμοποιήστε για να καλύψετε τα τρόφιμα κατά το μαγείρεμα, για να διατηρείται η υγρασία. Μην αφήνετε τη μεμβράνη τροφίμων να έρχεται σε επαφή με τα τρόφιμα.
Θερμόμετρα	Μόνο για φούρνο μικροκυμάτων (θερμόμετρα κρέατος και ζαχαροπλαστικής).
Κηρόχαρτο	Χρησιμοποιήστε ως κάλυμμα για την αποφυγή πιτσιλίσματος και τη διατήρηση της υγρασίας.

Υλικά που πρέπει να αποφεύγονται στον φούρνο μικροκυμάτων

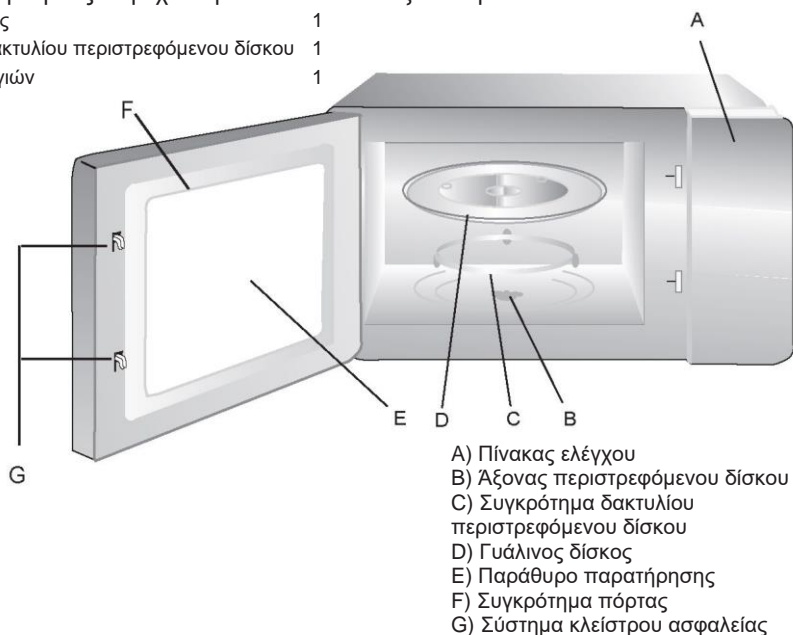
Σκεύη	Παρατηρήσεις
Δίσκος αλουμινίου	Μπορεί να προκαλέσει σπινθήρα. Μεταφέρετε το φαγητό σε πιάτο κατάλληλο για φούρνο μικροκυμάτων.
Χάρτινη συσκευασία τροφίμων με μεταλλική λαβή	Μπορεί να προκαλέσει σπινθήρα. Μεταφέρετε το φαγητό σε πιάτο κατάλληλο για φούρνο μικροκυμάτων.
Μεταλλικά σκεύη ή σκεύη με μεταλλική επένδυση	Το μέταλλο προστατεύει τα τρόφιμα από την ενέργεια μικροκυμάτων. Η μεταλλική επένδυση μπορεί να προκαλέσει σπινθήρα.
Μεταλλικά σύρματα δεσίματος	Μπορεί να προκληθεί σπινθήρας και φωτιά μέσα στον φούρνο.
Χάρτινες σακούλες	Μπορεί να προκαλέσουν φωτιά στον φούρνο.
Πλαστικός αφρός	Ο πλαστικός αφρός μπορεί να λιώσει ή να μολύνει το υγρό στο εσωτερικό του όταν εκτεθεί σε υψηλή θερμοκρασία.
Ξύλο	Το ξύλο στεγνώνει όταν χρησιμοποιείται στον φούρνο μικροκυμάτων και μπορεί να ραγίσει ή να σπάσει.

ΕΓΚΑΤΑΣΤΑΣΗ ΤΟΥ ΦΟΥΡΝΟΥ ΣΑΣ

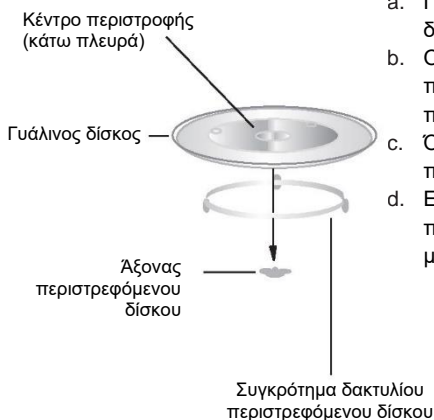
Ονόματα εξαρτημάτων και αξεσουάρ φούρνου

Αφαιρέστε τον φούρνο και όλα τα υλικά από τη συσκευασία και την κοιλότητα του φούρνου. Ο φούρνος παρέχεται με τα ακόλουθα αξεσουάρ:

Γυάλινος δίσκος	1
Συγκρότημα δακτυλίου περιστρεφόμενου δίσκου	1
Εγχειρίδιο οδηγιών	1



Εγκατάσταση περιστρεφόμενου δίσκου



- Ποτέ μην τοποθετείτε το γυάλινο δίσκο ανάποδα. Ο γυάλινος δίσκος δεν πρέπει να παρεμποδίζεται ποτέ.
- Ο γυάλινος δίσκος και το συγκρότημα δακτυλίου του περιστρεφόμενου δίσκου πρέπει να χρησιμοποιούνται πάντα κατά το μαγείρεμα.
- Όλα τα τρόφιμα και τα δοχεία τροφίμων τοποθετούνται πάντα στον γυάλινο δίσκο για μαγείρεμα.
- Εάν ο γυάλινος δίσκος ή το συγκρότημα δακτυλίου περιστρεφόμενου δίσκου ραγίσει ή σπάσει, επικοινωνήστε με το πλησιέστερο εξουσιοδοτημένο κέντρο σέρβις.

Εγκατάσταση σε πάγκο

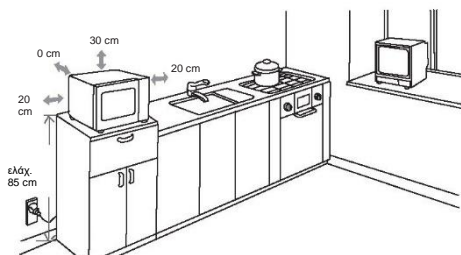
Αφαιρέστε όλα τα υλικά συσκευασίας και τα αξεσουάρ. Εξετάστε το φούρνο για οποιαδήποτε ζημιά, όπως βαθουλώματα ή σπασμένη πόρτα. Μην προχωρήσετε στην εγκατάσταση αν ο φούρνος είναι υποστεί οποιαδήποτε ζημιά.

Ντουλάπι: Αφαιρέστε την προστατευτική μεμβράνη που έχει τοποθετηθεί στην επιφάνεια του φούρνου μικροκυμάτων.

Μην αφαιρείτε το ανοιχτό καφέ κάλυμμα Mica που συνδέεται στην κοιλότητα του φούρνου για την προστασία της λυχνίας του φούρνου (magnetron).

Εγκατάσταση

1. Επιλέξτε μια επίπεδη επιφάνεια που παρέχει αρκετό ελεύθερο χώρο για τους αεραγωγούς εισαγωγής ή/και εξαγωγής.



(1) Το ελάχιστο ύψος εγκατάστασης είναι 85 cm.

(2) Η πίσω επιφάνεια της συσκευής πρέπει να τοποθετείται σε τοίχο.

Αφήστε κενό τουλάχιστον 30 cm πάνω από το φούρνο και τουλάχιστον 20 cm ανάμεσα στον φούρνο και τους γύρω τοίχους.

(3) Μην αφαιρείτε τα πόδια από το κάτω μέρος του φούρνου.

(4) Το μπλοκάρισμα των αεραγωγών εισαγωγής ή/και εξαγωγής μπορεί να προκαλέσει ζημιά στον φούρνο.

(5) Τοποθετήστε τον φούρνο όσο το δυνατόν πιο μακριά από συσκευές όπως ραδιόφωνο και τηλεόραση. Η λειτουργία του φούρνου μικροκυμάτων μπορεί να προκαλέσει παρεμβολές στη λήψη του ραδιοφωνικού ή του τηλεοπτικού σήματος.

2. Συνδέστε τον φούρνο σε μια τυπική οικιακή πρίζα. Βεβαιωθείτε ότι η τάση και η συχνότητα είναι ίδιες με την τάση και τη συχνότητα που αναγράφεται στην ετικέτα με τα στοιχεία του φούρνου.

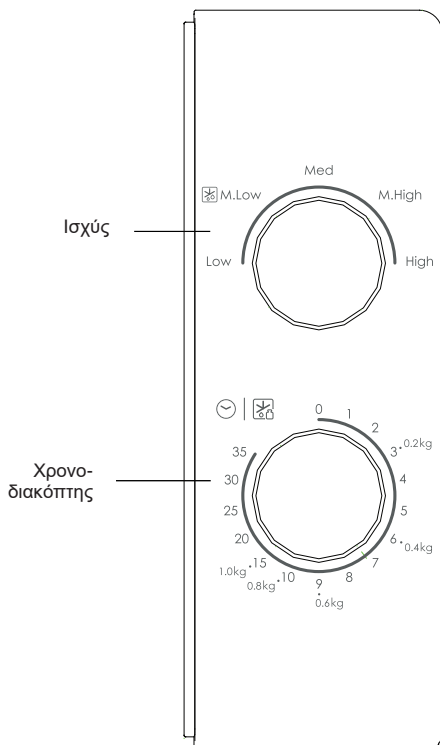
ΠΡΟΕΙΔΟΠΟΙΗΣΗ: Μην εγκαθιστάτε το φούρνο πάνω από ηλεκτρική εστία ή άλλη συσκευή που παράγει θερμότητα. Εάν εγκατασταθεί κοντά ή πάνω από πηγή θερμότητας, ο φούρνος μπορεί να καταστραφεί και η εγγύηση θα ακυρωθεί.

Η προσβάσιμη επιφάνεια μπορεί να είναι ζεστή κατά τη λειτουργία.



ΛΕΙΤΟΥΡΓΙΑ

Πίνακας ελέγχου και δυνατότητες Οδηγίες λειτουργίας



1. Για να ρυθμίσετε την ισχύ μαγειρέματος, στρέψτε το κουμπί ισχύος στο επιθυμητό επίπεδο.
2. Για να ρυθμίσετε τον χρόνο μαγειρέματος, στρέψτε το κουμπί χρονοδιακόπτη στον επιθυμητό χρόνο σύμφωνα με τις οδηγίες μαγειρέματος του φαγητού.
3. Ο φούρνος μικροκυμάτων θα ξεκινήσει αυτόματα το μαγείρεμα αφού ρυθμίσετε το επίπεδο ισχύος και τον χρόνο.
4. Μετά τη λήξη του χρόνου μαγειρέματος, η μονάδα θα εκπέμψει ένα ηχητικό σήμα και θα σταματήσει.
5. Εάν η μονάδα δεν χρησιμοποιείται, ρυθμίστε πάντα τον χρόνο στο «0».

Λειτουργία/ισχύς	Έξοδος	Εφαρμογή
Low	119 W	Για να μαλακώσετε παγωτό
Med. Low (μεσαία-χαμηλή για απόψυξη)	231 W	Κρεατόσουπα, για να μαλακώσετε το βούτυρο ή για απόψυξη
Med.	385 W	Κρέας, ψάρι
Med. High	539 W	Ρύζι, ψάρι, κοτόπουλο, κιμάς
High	700W	Ξαναζέσταμα, γάλα, βράσιμο νερού, λαχανικά, ροφήματα

Σημείωση: Όταν βγάξετε τρόφιμα από τον φούρνο, βεβαιωθείτε ότι ο φούρνος έχει τεθεί εκτός λειτουργίας στρέφοντας τον χρονοδιακόπτη στο 0 (μηδέν). Εάν δεν το κάνετε και θέσετε σε λειτουργία τον φούρνο μικροκυμάτων χωρίς φαγητό, μπορεί να προκληθεί υπερθέρμανση και ζημιά στη λυχνία του φούρνου.

Αντιμετώπιση προβλημάτων

Φυσιολογικό	
Ο φούρνος μικροκυμάτων παρεμποδίζει τη λήψη τηλεοπτικού σήματος	Παρεμβολές στη λήψη ραδιοφωνικού και τηλεοπτικού σήματος όταν λειτουργεί ο φούρνος μικροκυμάτων. Το ίδιο συμβαίνει με τις παρεμβολές μικρών ηλεκτρικών συσκευών, όπως μίξερ, ηλεκτρική σκούπα και ανεμιστήρας. Είναι φυσιολογικό.
Χαμηλός φωτισμός φούρνου	Όταν μαγειρεύετε με χαμηλή ισχύ στον φούρνο μικροκυμάτων, η ένταση του φωτός του φούρνου μπορεί να μειωθεί. Είναι φυσιολογικό.
Συσσωρευση ατμού στην πόρτα, έξοδος ζεστού αέρα από τους αεραγωγούς	Κατά το μαγείρεμα, ενδέχεται να βγαίνει ατμός από το φαγητό. Το μεγαλύτερο μέρος του ατμού θα βγει από τους αεραγωγούς. Ένα μέρος όμως μπορεί να συσσωρευτεί σε ένα πιο κρύο σημείο, όπως στην πόρτα του φούρνου. Είναι φυσιολογικό.
Ο φούρνος ξεκίνησε κατά λάθος χωρίς να έχει τοποθετηθεί φαγητό στο εσωτερικό του.	Απαγορεύεται η λειτουργία της μονάδας χωρίς φαγητό. Είναι πολύ επικίνδυνο.

Πρόβλημα	Πιθανή αιτία	Λύση
Ο φούρνος δεν τίθεται σε λειτουργία.	(1) Το καλώδιο ρεύματος δεν έχει συνδεθεί καλά.	Αποσυνδέστε. Στη συνέχεια, συνδέστε ξανά μετά από 10 δευτερόλεπτα.
	(2) Η ασφάλεια έχει καεί ή τέθηκε σε λειτουργία ο ασφαλειοδιακόπτης.	Αντικαταστήστε την ασφάλεια ή επαναφέρετε τον ασφαλειοδιακόπτη (επισκευή από τεχνικό της εταιρείας μας)
	(3) Πρόβλημα με την πρίζα.	Δοκιμάστε την πρίζα με άλλες ηλεκτρικές συσκευές.
Ο φούρνος δεν ζεσταίνει.	(4) Η πόρτα δεν έχει κλείσει καλά.	Κλείστε καλά την πόρτα.



Αυτή η συσκευή φέρει επισήμανση σύμφωνα με την Ευρωπαϊκή Οδηγία 2012/19/ΕΕ για τους Κανονισμούς του 2013 περί Αποβλήτων Ηλεκτρικού και Ηλεκτρονικού Εξοπλισμού (ΑΗΗΕ). Τα ΑΗΗΕ (Απόβλητα Ηλεκτρικού και Ηλεκτρονικού Εξοπλισμού) περιέχουν ρυπογόνες ουσίες (που μπορεί να έχουν αρνητικές επιπτώσεις στο περιβάλλον) και βασικά δομικά στοιχεία (που μπορούν να επαναχρησιμοποιηθούν). Είναι σημαντικό τα ΑΗΗΕ (Απόβλητα Ηλεκτρικού και Ηλεκτρονικού Εξοπλισμού) να υποβάλλονται σε συγκεκριμένη επεξεργασία για την σωστή απομάκρυνση και απόρριψη των ρύπων και ανάκτηση όλων των υλικών. Οι χρήστες ηλεκτρικών και ηλεκτρονικών συσκευών μπορούν να διαδραματίσουν σημαντικό ρόλο στη διασφάλιση ότι τα ΑΗΗΕ δεν συνιστούν περιβαλλοντικό κίνδυνο. Είναι σημαντικό να τηρούνται ορισμένοι βασικοί κανόνες:

- τα ΑΗΗΕ δεν πρέπει να αντιμετωπίζονται ως οικιακά απορρίμματα,
- τα ΑΗΗΕ πρέπει να μεταφέρονται σε ειδικούς χώρους συλλογής απορριμμάτων υπό τη διαχείριση των δήμων ή ειδικών πιστοποιημένων εταιρειών.

Σε πολλές χώρες, ενδέχεται να παρέχονται υπηρεσίες αποκομιδής μεγάλων ΑΗΗΕ. Όταν αγοράζετε μια νέα συσκευή, η παλαιά μπορεί να επιστραφεί στον πωλητή ο οποίος οφείλει να την αποδεχτεί χωρίς χρέωση, αρκεί η συσκευή να είναι ισοδύναμου τύπου και να έχει τις ίδιες λειτουργίες με τη συσκευή που αγοράζετε.



Mikrobangų krosnelė

NAUDOJIMO INSTRUKCIJA

**MODELIS: CMW20SMW
CMW20SMB**

Prieš naudodami mikrobangų krosnelę atidžiai perskaitykite šią instrukciją ir išsaugokite ją.
Jei laikysitės instrukcijų, krosnelė gerai veiks daugelį metų.

KRUOPŠČIAI LAIKYKITĖS ŠIŲ INSTRUKCIJŲ

ATSARGUMO PRIEMONĖS, SIEKIANČIOS IŠVENGTI GALIMO PER DIDELIO MIKROBANGŲ ENERGIJOS POVEIKIO

(a) Nebandykite naudoti šios krosnelės, jei durelės atidarytos, nes mikrobangų energijos poveikis gali pakenkti. Svarbu nesulaužyti ir nesugadinti apsauginių blokuojamųjų įtaisų.

(b) Nedėkite jokių daiktų tarp krosnelės priekinio paviršiaus ir durelių, neleiskite ant sandarinimo paviršių kauptis nešvarumams ar valiklių likučiams.

(c) ĮSPĖJIMAS. Jei durelės arba durelių sandarikliai pažeisti, krosnelės negalima naudoti, kol ją suremontuos kompetentingas asmuo.

PRIEDAS

Jei aparatas neprižiūrimas ir nešvarus, jo paviršiaus kokybė gali suprastėti ir tai turės įtakos aparato tinkamumo naudoti trukmei, todėl gali susidaryti pavojinga situacija.

Specifikacijos

Modelis:	CMW20SMW / CMW20SMB
Vardinė įtampa:	230 V ~50 Hz
Vardinė įėjimo galia (mikrobangų):	1 050 W
Vardinė išėjimo galia (mikrobangų):	700 W
Krosnelės talpa:	20 l
Sukamosios lėkštės skersmuo:	Ø 255 mm
Išoriniai matmenys:	439.5*357.5*258.2mm
Grynasis svoris:	Maždaug 10.2 kg

SVARBUS SAUGOS INSTRUKCIJŲ ĮSPĖJIMAS

Norėdami sumažinti gaisro, elektros smūgio, žmonių sužalojimo ar per didelio mikrobangų krosnelės energijos poveikio riziką, naudodamiesi prietaisu, laikykitės pagrindinių atsargumo priemonių, įskaitant šias:

1. Perskaitykite ir laikykitės konkrečių instrukcijų:
„ATSARGUMO PRIEMONĖS, SIEKIANČIOS IŠVENGTI GALIMO PER DIDELIO MIKROBANGŲ ENERGIJOS POVEIKIO“
2. Šį prietaisą gali naudoti vaikai nuo 8 metų ir asmenys, kurių fiziniai, jutiminiai ar protiniai gebėjimai yra riboti arba kurie neturi patirties ir žinių, jei jie prižiūrimi arba jiems duoti nurodymai, kaip saugiai naudoti prietaisą, ir jie supranta su tuo susijusius pavojus. Vaikai negali žaisti su prietaisu. Vaikai be priežiūros negali valyti ir tvarkyti šio prietaiso.
3. Laikykitės prietaisą ir jo laidą jaunesniems nei 8 metų vaikams nepasiekiamoje vietoje.
4. Jei maitinimo laidas pažeistas, jį turi pakeisti gamintojas, jo techninės priežiūros atstovas arba panašią kvalifikaciją turintis asmenys, kad būtų išvengta pavojaus.
5. ĮSPĖJIMAS. Prieš keisdami lemputę patikrinkite, ar prietaisas išjungtas, kad išvengtumėte galimo elektros smūgio.
6. ĮSPĖJIMAS. Atlikti bet kokią techninę priežiūrą ar remontą, įskaitant dangčio, apsaugančio nuo mikrobangų energijos poveikio, nuėmimą, yra pavojinga visiems, išskyrus kompetentingus asmenis.
7. ĮSPĖJIMAS. Skysčių ir kitų maisto produktų negalima kaitinti sandariuose induose, nes jie gali sprogti.

8. Šildydami maistą plastikiniuose ar popieriniuose induose, stebėkite krosnelę, nes ji gali užsidegti.
9. Naudokite tik tinkamus naudoti mikrobangų krosnelėse indus.
10. Jei sklinda dūmai, išjunkite arba atjunkite prietaisą nuo tinklo ir laikykite dureles uždarytas, kad liepsna užgesintų.
11. Kaitinant mikrobangų krosnelėje gėrimus, gali įvykti uždelstas išsiveržimas skysčiui užvirus, todėl reikia būti atsargiems tvarkant talpyklą.
12. Maitinimo butelių ir kūdikių maisto indelių turinį prieš vartojimą reikia išmaišyti arba suplakti ir reikia patikrinti temperatūrą, kad būtų išvengta nudegimų.
13. Kiaušinių su lukštais ir sveikų kietai virtų kiaušinių negalima kaitinti mikrobangų krosnelėse, nes jie gali sprogti net ir baigus kaitinti mikrobangų krosnelėje.
14. Krosnelę reikia reguliariai valyti ir pašalinti visas maisto apnašas.
15. Jei krosnelė nebus prižiūrima ir bus nešvari, gali suprastėti jos paviršiaus kokybė, o tai gali neigiamai paveikti prietaiso naudojimo trukmę ir sukelti pavojingą situaciją.
16. Prietaiso negalima montuoti už dekoratyvinių durelių, kad neperkaistų. (Tai netaikoma prietaisams su dekoratyvinėmis duralėmis.)
17. Naudokite tik šiai krosnelei rekomenduojamą temperatūros zondą (taikoma krosnelėms, kuriose yra galimybė naudoti temperatūros jutiklinį zondą).
18. Mikrobangų krosnelės negalima dėti į spintelę, nebent ji buvo išbandyta spintelėje.

19. Mikrobangų krosnelė turi būti naudojama atidarius dekoratyvines dureles (taikoma krosnelėms su dekoratyvinėmis durelėmis).
20. Šis prietaisas skirtas naudoti buityje ir panašiais tikslais, pvz.:
 - darbuotojų virtuvės zonose parduotuvėse, biuruose ir kitoje darbo aplinkoje;
 - klientams viešbučiuose, moteliuose ir kitose gyvenamojo tipo aplinkose;
 - ūkių pastatuose;
 - nakvynės su pusryčiais tipo apgyvendinimo vietose.
21. Mikrobangų krosnelė skirta maistui ir gėrimams šildyti. Džiovinant maistą ar drabužius ir kaitinant pagalvėles, šlepetes, kempines, drėgną audinį ir pan. gali kilti susižalojimo, užsidegimo ar gaisro pavojus.
22. Gaminant maistą mikrobangų krosnelėje draudžiama naudoti metalines talpyklas maistui ir gėrimams.
23. Prietaiso negalima valyti garų valytuvu.
24. Prietaisas skirtas naudoti laisvai pastatomas.
25. Prietaisų galinis paviršius turi būti atremtas į sieną.

ATIDŽIAI PERSKAITYKITE IR PASILIKITE ATEIČIAI

Sumažinti žmonių sužalojimo riziką.

Įžeminimo įrengimas

PAVOJUS

Elektros smūgio pavojus. Prisilietus prie kai kurių vidinių komponentų galima sunkiai arba mirtinai susižaloti. Neardykite šio prietaiso.

ĮSPĖJIMAS

Elektros smūgio pavojus. Netinkamai naudojant įžeminimą gali įvykti elektros smūgis. Nejunkite į kištukinį lizdą, kol prietaisas nėra tinkamai sumontuotas ir įžemintas.

Šis prietaisas turi būti įžemintas. Įvykus elektros trumpajam jungimui, įžeminimas sumažina elektros smūgio riziką, nes elektros srovei naudojamas avarinis laidas. Šiame prietaise yra laidas su įžeminimo laidu ir įžeminimo kištuku. Kištukas turi būti įjungtas į tinkamai sumontuotą ir įžemintą lizdą. Pasitarkite su kvalifikuotu elektriku arba

techninės priežiūros specialistu, jei įžeminimo instrukcijos nėra visiškai suprantamos arba jei abejojama, ar prietaisas tinkamai įžemintas. Jei reikia naudoti ilgintuvą, naudokite tik ilgintuvą iš 3-jų laidų.

1. Pridėtas trumpas maitinimo laidas, kad būtų mažesnė rizika įsipainioti į ilgą laidą arba už jo užkliūti.
2. Jei naudojamas ilgų laidų rinkinys arba ilginamasis laidas:
 - 1) Laidų rinkinio arba ilginamojo laido elektros vardinė vertė turi būti bent tokia pati, kaip prietaiso elektros vardinė vertė.
 - 2) Ilgintuvo laidas turi būti įžemintas laidas iš 3-jų laidų.
 - 3) Ilgas laidas turi būti išdėstytas taip, kad nenukartų nuo spintelės viršaus ar stalviršio ir jo negalėtų patraukti vaikai arba nebūtų galima už jo netyčia užkliūti.

VALYMAS

Būtinai atjunkite prietaisą nuo maitinimo šaltinio.

1. Panaudoję išvalykite krosnelės ertmę šiek tiek sudrėkinta šluoste.
2. Priedus valykite įprastai, muiluotu vandeniu.
3. Durelių rėmas, sandariklis ir gretimos dalys turi būti kruopščiai valomi drėgna šluoste, jei jie susitępa.
4. Krosnelės durelių stiklui valyti nenaudokite stiprių abrazyvinių valiklių ar aštrių metalinių grandiklių, nes jie gali subraižyti paviršių, todėl stiklas gali sudužti.
5. Valymo patarimas. Kad būtų lengviau valyti ertmės sienelės, prie kurių gali liestis gaminamas maistas: Įdėkite pusę citrinos į dubenį, įpilkite 300 ml vandens ir kaitinkite 10 minučių nustatę 100 % mikrobangų galios. Nuvalykite krosnelę minkšta, sausa šluoste.

INDAI

ATSARGIAI

Pavojus susižeisti

Atlikti bet kokią techninę priežiūrą ar remontą, įskaitant dangčio, apsaugančio nuo mikrobangų energijos poveikio, nuėmimą, yra pavojinga visiems, išskyrus kompetentingus asmenis.

Žr. instrukcijų skirsinį „Medžiagos, kurias galite naudoti mikrobangų krosnelėje arba kurių reikia vengti naudoti mikrobangų krosnelėje“. Gali būti ir tam tikrų nemetalinių indų, kuriuos nesaugu naudoti mikrobangų krosnelėse. Jei abejojate, galite patikrinti atitinkamą indą atlikdami toliau aprašytą procedūrą.

Indo bandymas:

1. Įpilkite į saugų naudoti mikrobangų krosnelėje indą 1 puodelį šalto vandens (250 ml) ir kartu įdėkite atitinkamą indą.
2. Kaitinkite didžiausia galia 1 minutę.
3. Atsargiai palieskite indą. Jei tuščias indas yra šiltas, nenaudokite jo gamindami maistą mikrobangų krosnelėje.
4. Nekaitinkite ilgiau nei 1 minutę.

Medžiagos, kurias galite naudoti mikrobangų krosnelėje

Indai	Pastabos
Skrudintuvas	Laikykitės gamintojo instrukcijų. Skrudintuvo dugnas turi būti bent 5 mm virš sukamosios lėkštės. Netinkamai naudojama sukamoji lėkštė gali sulūžti.
Stalo reikmenys	Tik tinkami naudoti mikrobangų krosnelėje. Laikykitės gamintojo instrukcijų. Nenaudokite įskilusių ar suaižėjusių indų.
Stikliniai indeliai	Visada nuimkite dangtelį. Naudokite tik maistui šildyti, kol jis šiek tiek sušils. Dauguma stiklinių indelių nėra atsparūs karščiui ir gali sudužti.
Stikliniai indai	Tik karščiui atsparūs orkaitėje skirti naudoti stikliniai indai. Įsitikinkite, kad nėra metalinių apdailos detalių. Nenaudokite įskilusių ar suaižėjusių indų.
Kepimo orkaitėje maišai	Laikykitės gamintojo instrukcijų. Neuždarykite metaline juoste. Padarykite plyšius garams išeiti.
Popierinės lėkštės ir puodeliai	Naudokite tik trumpam virimui / šildymui. Gamindami maistą nepalikite krosnelės be priežiūros.
Popieriniai rankšluosčiai	Naudokite maistui uždengti, norėdami pašildyti ir sugerti riebalus. Naudokite tik trumpai maistui gaminti prižiūredami.
Pergamentinis popierius	Naudokite kaip dangtelį, kad apsaugotumėte nuo pusrų arba pridengtumėte troškindami.
Plastikas	Tik tinkami naudoti mikrobangų krosnelėje. Laikykitės gamintojo instrukcijų. Turi būti pažymėta „Saugu naudoti mikrobangų krosnelėje“. Kai kurie plastikiniai indai suminkštėja, kai viduje esantis maistas įkaista. „Virimo maišai“ ir sandariai uždaryti plastikiniai maišeliai turi būti įpjauti, pradurti arba su angomis, kaip nurodyta pakuotėje.
Plastikinė plėvelė	Tik tinkami naudoti mikrobangų krosnelėje. Naudokite maistui uždengti gamindami, kad išlaikytumėte drėgmę. Neleiskite, kad plastikinė plėvelė liestųsi su maistu.
Termometrai	Saugu naudoti mikrobangų krosnelėje (mėsos ir saldinių termometrai).
Vaškinis popierius	Naudokite kaip dangtį, kad išvengtumėte pusrų ir sulaukymėte drėgmę.

Medžiagos, kurių reikia vengti mikrobangų krosnelėje

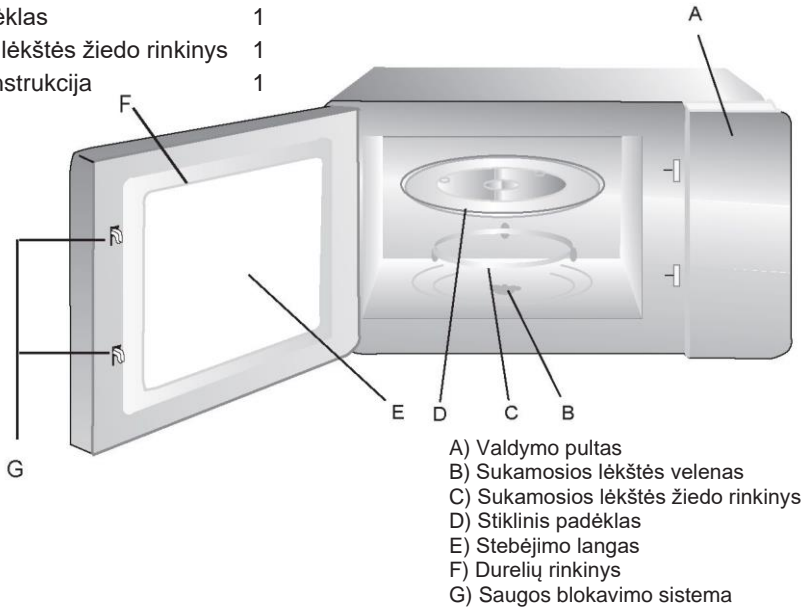
Indai	Pastabos
Aliuminio padėklas	Gali sukelti kibirkščiavimą. Perkraukite maistą į tinkamą naudoti mikrobangų krosnelėje indą.
Maisto dėžutė su metaline rankena	Gali sukelti kibirkščiavimą. Perkraukite maistą į tinkamą naudoti mikrobangų krosnelėje indą.
Metaliniai indai arba indai su metalo apdaila	Metalas pridenžia maistą nuo mikrobangų energijos. Metalinė apdaila gali sukelti kibirkščiavimą.
Metalinės užsukamos juostelės	Gali sukelti kibirkščiavimą ir gali sukelti gaisrą krosnelėje.
Popieriniai maišeliai	Gali sukelti gaisrą krosnelėje.
Putplastis	Putplastis, veikiamas aukštos temperatūros, gali ištirpti arba užteršti viduje esantį skystį.
Mediena	Naudojama mikrobangų krosnelėje mediena išdžius ir gali suskilti arba įtrūkti.

KROSNELĖS PARENGIMAS

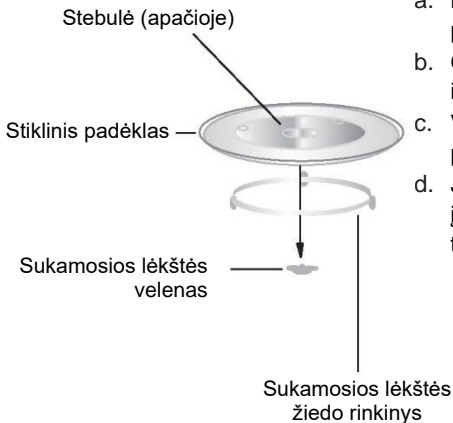
Krosnelės dalių ir priedų pavadinimai

Išimkite krosnelę ir visas medžiagas iš dėžės ir krosnelės ertmės. Krosnelė tiekama su šiais priedais:

Stiklinis padėklas	1
Sukamosios lėkštės žiedo rinkinys	1
Naudojimo instrukcija	1



Sukamosios lėkštės montavimas



- Niekada nedėkite stiklinio padėklo apversto. Stiklinis padėklas niekada neturėtų būti padėtas anksčiau.
- Gaminant maistą visada reikia naudoti ir stiklinį padėklą, ir sukamo žiedo rinkinį.
- Visas maistas ir maisto indai visada dedami ant stiklinio padėklo maistui gaminti.
- Jei stiklinis padėklas arba sukamojo žiedo rinkinys įtrūksta arba sulūžta, kreipkitės į artimiausią įgaliotąjį techninės priežiūros centrą.

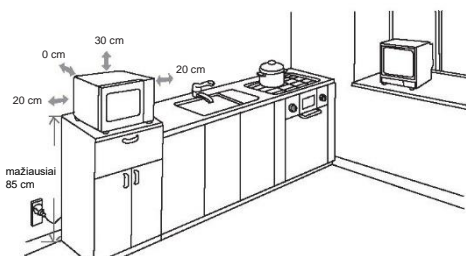
Montavimas ant stalviršio

Nuimkite visą pakavimo medžiagą ir priedus. Patikrinkite, ar krosnelė nepažeista, pvz., ar nėra įlenkimų, ar nesulūžusios durelės. Nemontuokite, jei krosnelė pažeista.

Korpusas. Nuimkite visas apsaugines plėveles nuo mikrobangų krosnelės korpuso paviršiaus. Nenuimkite šviesiai rudo žėručio dangtelio, pritvirtinto prie krosnelės ertmės ir apsaugančio magnetroną.

Montavimas

1. Pasirinkite lygų paviršių, ant kurio būtų pakankamai laisvos vietos įeinamajai ir (arba) išeinamajai angoms.



(1) Minimalus montavimo aukštis yra 85 cm.

(2) Prietaisų galinis paviršius turi būti atremtas į sieną.

Palikite ne mažesnę kaip 30 cm tarpą virš krosnelės, tarp krosnelės ir gretimų sienų turi būti ne mažesnis kaip 20 cm tarpas.

(3) Nenuimkite kojelių nuo krosnelės dugno.

(4) Užblokavus įeinamąją ir (arba) išeinamąją angas galima sugadinti krosnelę.

(5) Pastatykite krosnelę kuo toliau nuo radijo imtuvo ir televizoriaus. Naudojant mikrobangų krosnelę gali trikti radijo arba televizijos ryšys.

2. Prijunkite krosnelę prie standartinio buitinio lizdo. Įsitikinkite, kad įtampa ir dažnis yra tokie patys, kaip nurodyta vardinių parametrų etiketėje.

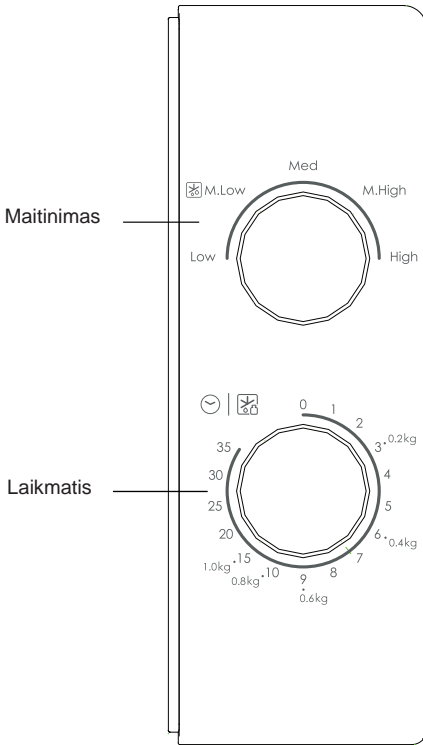
ĮSPĖJIMAS. Nemontuokite krosnelės virš voryklės ar kito šilumą skleidžiančio prietaiso. Jei krosnelė įrengiama šalia šilumos šaltinio arba virš jo, ji gali būti sugadinta, ir garantija nebegalios.

Prieinamas paviršius krosnei veikiant gali įkaisti.



NAUDOJIMAS

Valdymo pulto ir funkcijų naudojimo instrukcijos



Norėdami nustatyti gaminimo galią, pasukite jungiklio rankenėlę į norimą lygį. Norėdami nustatyti gaminimo laiką, pasukite laikmačio rankenėlę ties norimu laiku, kaip nurodyta maisto gaminimo vadove. Nustačius galios lygį ir laiką, mikrobangų krosnelė automatiškai pradės gaminimo procesą. Pasibaigus gaminimo laikui, įrenginys skambtelės ir sustos. Jei įrenginys nenaudojamas, visada nustatykite laiką ties padala „0“.

Funkcija / galia	Išvestis	Naudojimas
Low	119 W	Ledams suminkštinti
Med. Low (atitirpinti)	231 W	Sriubai virti, sviestui suminkštinti arba atitirpinti
Med.	385 W	Troškiny, žuvis
Med. High	539 W	Ryžiai, žuvis, vištiena, malta mėsa
High	700 W	Pakaitinti, pienas, užvirti vandenį, daržovės, gėrimas

Pastaba. Išimdami maistą iš krosnelės būtinai išjunkite krosnelės galią pasukdami laikmačio jungiklį ties „0“ (nuliui). Jei to nepadarysite ir mikrobangų krosnelę naudosite be maisto, magnetronas gali perkaisti ir sugesti.

Trikčių šalinimas

Įprastas	
Mikrobangų krosnelė trikdo televizijos ryšį	Veikiant mikrobangų krosnei gali trikti radijo ir televizijos ryšys. Keliami panašūs trukdžiai, kaip veikiant mažiems elektros prietaisams, pvz., maišytuvui, dulkių siurbliui ir elektriniam ventiliatoriui. Tai normalu.
Blausus krosnelės apšvietimas	Naudojant mikrobangų krosnelę mažos galios režimu, krosnelės šviesa gali pritemti. Tai normalu.
Ant durelių kaupiasi garai, iš vėdinimo angų išeina karštas oras	Gaminant maistą, iš jo gali skliti garai. Didžioji jų dalis pasišalins per vėdinimo angas. Bet šiek tiek garų gali kauptis ant vėsios vietos, pavyzdžiui, krosnelės durelių. Tai normalu.
Krosnelė netyčia buvo įjungta ir veikia be maisto.	Draudžiama naudoti įrenginį, jei viduje nėra maisto. Tai labai pavojinga.

Problema	Galima priežastis	Taisomoji priemonė
Krosnelės nepavyksta įjungti.	(1) Maitinimo laidas neįkištas į tinklą.	Atjunkite. Tada vėl įjunkite po 10 sekundžių.
	(2) Iššoka saugiklis arba įsijungia grandinės išjungiklis.	Pakeiskite saugiklį arba iš naujo nustatykite grandinės išjungiklį (taiso mūsų įmonės profesionalūs darbuotojai).
	(3) Problema dėl kištukinio lizdo.	Išbandykite lizdą su kitais elektros prietaisais.
Krosnelė nekaista.	(4) Durelės negerai uždarytos.	Gerai uždarykite dureles.



Šis prietaisas yra paženklintas pagal Europos direktyvą 2012/19/ES dėl elektros ir elektroninės įrangos atliekų ir 2013 m. reglamentą dėl elektros ir elektroninių prietaisų. Elektros ir elektroninės įrangos atliekose yra ir teršiančių medžiagų (kurios gali turėti neigiamą poveikį aplinkai), ir bazinių elementų (kuriuos galima naudoti pakartotinai). Svarbu, kad elektros ir elektroninės įrangos atliekos būtų specialiai apdorotos, siekiant tinkamai atskirti ir pašalinti teršalus ir atgauti visas medžiagas. Žmonės gali atlikti svarbų vaidmenį užtikrindami, kad elektros ir elektroninės įrangos atliekos netaptų aplinkosaugos problema. Būtina laikytis kelių pagrindinių taisyklių:

- elektros ir elektroninės įrangos atliekos neturėtų būti perdirbamos kaip buitinės atliekos;
- elektros ir elektroninės įrangos atliekos turėtų būti vežamos į specialias surinkimo zonas, kurias tvarko miesto taryba arba registruota bendrovė.

Daugelyje šalių didelės elektros ir elektroninės įrangos atliekos gali būti surenkamos iš namų. Kai nusiperkate naują prietaisą, senąjį galite grąžinti pardavėjui, kuris turi vieną kartą priimti jį nemokamai, jei prietaisas yra tokio pat tipo ir atlieka tas pačias funkcijas kaip ir įsigytas prietaisas.



Kuchenka mikrofalowa

INSTRUKCJA OBSŁUGI

**MODEL: CMW20SMW
CMW20SMB**

Przed użyciem kuchenki mikrofalowej należy dokładnie przeczytać niniejszą instrukcję i przechowywać ją w bezpiecznym miejscu.

Postępowanie zgodnie z tymi instrukcjami zagwarantuje wieloletnie bezawaryjne działanie kuchenki.

PRZECHOWUJ TE INSTRUKCJE W BEZPIECZNYM MIEJSCU

ŚRODKI OSTROŻNOŚCI ZAPOBIEGAJĄCE NARAŻENIU NA NADMIERNE PROMIENIOWANIE ENERGII MIKROFALOWEJ

(a) Nie wolno obsługiwać kuchenki przy otwartych drzwiczkach, aby nie narażać się na szkodliwe napromieniowanie energią mikrofalową. Ważne jest, aby nie złamać blokad bezpieczeństwa ani nimi nie manipulować.

(b) Nie umieszczać żadnych przedmiotów pomiędzy przednią ścianką a drzwiczkami, ani nie dopuszczać do gromadzenia się brudu lub pozostałości środków czyszczących na powierzchni uszczelki.

(c) **OSTRZEŻENIE:** Jeśli drzwiczki lub uszczelki drzwiczek są uszkodzone, kuchenki nie wolno uruchamiać, dopóki nie zostanie naprawiona przez kompetentną osobę.

DODATKOWE INFORMACJE

Jeżeli urządzenie nie jest utrzymywane w czystości, jego powierzchnia może ulec degradacji i wpłynąć na żywotność urządzenia oraz doprowadzić do niebezpiecznej sytuacji.

Specyfikacje

Model:	CMW20SMW / CMW20SMB
Napięcie znamionowe:	230 V~50 Hz
Znamionowa moc wejściowa (mikrofała):	1050 W
Znamionowa moc wyjściowa (mikrofała):	700 W
Pojemność kuchenki:	20 l
Średnica obrotowego talerza:	Ø 255 mm
Wymiary zewnętrzne:	439.5*357.5*258.2mm
Waga netto:	Okolo 10.2 kg

WAŻNE INSTRUKCJE BEZPIECZEŃSTWA

OSTRZEŻENIE

Aby zmniejszyć ryzyko pożaru, porażenia prądem elektrycznym, obrażeń ciała lub narażenia na nadmierne promieniowanie mikrofalowe podczas korzystania z urządzenia, należy przestrzegać podstawowych środków ostrożności, w tym poniższych wskazówek:

1. Przeczytaj i stosuj następujące instrukcje zawarte w „ZASADACH BEZPIECZEŃSTWA DOTYCZĄCYCH OCHRONY PRZED DZIAŁANIEM ENERGII MIKROFAL”.
2. Urządzenie może być obsługiwane przez dzieci powyżej 8 roku życia i przez osoby o ograniczonych możliwościach fizycznych, sensorycznych lub umysłowych lub osoby nieposiadające doświadczenia ani wiedzy pod warunkiem, że są one pod odpowiednim nadzorem lub zostały poinstruowane, jak bezpiecznie obsługiwać urządzenie i rozumieją związane z nim zagrożenia. Dzieci nie powinny bawić się urządzeniem. Czyszczenie i konserwacja nie mogą być wykonywane przez dzieci bez dozoru.
3. Urządzenie i jego przewód należy przechowywać w miejscu niedostępnym dla dzieci w wieku poniżej 8 lat.
4. Jeśli kabel zasilający ulegnie uszkodzeniu, dla bezpieczeństwa należy zlecić jego wymianę producentowi, autoryzowanemu serwisowi lub osobom o podobnych kwalifikacjach.
5. **OSTRZEŻENIE:** Aby uniknąć ryzyka porażenia prądem elektrycznym, przed przystąpieniem do wymiany lampki należy upewnić się, że urządzenie jest wyłączone.
6. **OSTRZEŻENIE:** Wykonywanie jakichkolwiek czynności serwisowych lub napraw polegających na zdjęciu pokrywy chroniącej przed narażeniem na działanie energii mikrofalowej stanowi zagrożenie dla osób nieposiadających odpowiednich kompetencji.

7. **OSTRZEŻENIE:** Nie wolno podgrzewać płynów ani innych produktów spożywczych w szczelnie zamkniętych pojemnikach, ponieważ mogą eksplodować.
8. Podczas podgrzewania żywności w plastikowych lub papierowych pojemnikach nie należy pozostawiać kuchenki bez nadzoru ze względu na możliwość zapłonu.
9. Używać wyłącznie przyborów odpowiednich do kuchenek mikrofalowych.
10. W przypadku wydobywania się dymu należy wyłączyć lub odłączyć od zasilania urządzenie i pozostawić zamknięte drzwiczki, aby zdławić płomień.
11. Podgrzewanie mikrofalowe napojów może prowadzić do ich opóźnionego gwałtownego wrzenia, dlatego należy zachować ostrożność, korzystając z pojemnika.
12. Zawartość butelek i słoiczków z jedzeniem dla niemowląt należy wymieszać lub wstrząsnąć i sprawdzić temperaturę przed podaniem do spożycia, aby uniknąć poparzeń.
13. W kuchenkach mikrofalowych nie należy podgrzewać jajek w skorupkach ani całych jajek ugotowanych na twardo, ponieważ mogą one eksplodować nawet po zakończeniu podgrzewania.
14. Kuchenkę należy regularnie czyścić i usuwać z niej resztki jedzenia.
15. Zaniedbania w utrzymaniu kuchenki w czystości mogą prowadzić do uszkodzenia jej powierzchni, co może niekorzystnie wpłynąć na okres użytkowania urządzenia, a w rezultacie prowadzić do niebezpiecznych sytuacji.
16. Urządzenia nie można montować za dekoracyjnymi drzwiami, aby się nie przegrzało. (Nie dotyczy to urządzeń z ozdobnymi drzwiczkami.)
17. Należy używać wyłącznie czujnika temperatury zalecanego dla tej kuchenki mikrofalowej (dla kuchenek wyposażonych w funkcję czujnika temperatury).

18. Kuchenki mikrofalowej nie należy umieszczać w szafce, o ile nie została przetestowana w szafce.
19. Kuchenka mikrofalowa musi być obsługiwana przy otwartych dekoracyjnych drzwiczkach (odnosi się do kuchenek wyposażonych w dekoracyjne drzwiczki).
20. Urządzenie jest przeznaczone do użytku domowego oraz do innych podobnych zastosowań:
 - w pomieszczeniach kuchennych przeznaczonych dla personelu sklepów, biur i innych miejsc pracy;
 - użytkowanie przez gości w hotelach, motelach i innych tego typu obiektach mieszkalnych;
 - użytkowanie w domkach mieszkalno-gospodarczych;
 - w pensjonatach.
21. Kuchenka mikrofalowa jest przeznaczona do podgrzewania potraw i napojów. Suszenie żywności i odzieży oraz podgrzewanie wkładów rozgrzewających, kapci, gąbek, wilgotnej ściereczki itp. może stwarzać ryzyko obrażeń, zapłonu lub pożaru.
22. Podczas gotowania w kuchence mikrofalowej nie wolno używać metalowych pojemników na żywność i napoje.
23. Urządzenia nie należy czyścić myjką parową.
24. Urządzenie przeznaczone jest do użytku wolnostojącego.
25. Tylną powierzchnię urządzeń należy oprzeć o ścianę.

**UWAŻNIE PRZECZYTAJ I ZACHOWAJ
INSTRUKCJĘ OBSŁUGI**

Ograniczenie ryzyka obrażeń u osób wykonujących instalację uziemiającą

NIEBEZPIECZEŃSTWO

Zagrożenie porażeniem prądem elektrycznym
Dotknięcie niektórych wewnętrznych komponentów może spowodować poważne obrażenia ciała lub śmierć.
Nie wolno demontować tego urządzenia.

OSTRZEŻENIE

Zagrożenie porażeniem prądem elektrycznym
Niewłaściwe uziemienie może spowodować porażenie prądem elektrycznym.
Nie wolno podłączać urządzenia do gniazdka elektrycznego, dopóki nie zostanie prawidłowo zainstalowane i uziemione.

Urządzenie musi być uziemione. W przypadku zwarcia elektrycznego uziemienie zmniejsza ryzyko porażenia prądem elektrycznym za pomocą przewodu ucieczkowego dla prądu elektrycznego. Urządzenie jest wyposażone w kabel z przewodem uziemiającym i wtyczką uziemiającą. Wtyczka musi być włożona do prawidłowo zainstalowanego i uziemionego gniazdka. Jeżeli nie rozumiesz

w pełni instrukcji dotyczących uziemienia lub masz wątpliwości, czy urządzenie jest właściwie uziemione, skonsultuj się z wykwalifikowanym elektrykiem lub pracownikiem serwisu. W razie potrzeby użycia przedłużacza stosuj wyłącznie przedłużacz trójżyłowy.

1. Celem uniknięcia ryzyka związanego z zapłataniami się lub potknięciem o dłuższy przewód, z urządzeniem dostarczany jest krótki przewód zasilający.
2. W przypadku zastosowania długiego przewodu lub przedłużacza:
 - 1) Właściwości znamionowe zestawu przewodu zasilającego lub przedłużacza powinny być co najmniej takie same, jak wartości znamionowe urządzenia.
 - 2) Przedłużacz musi być wykonany z trójżyłowego przewodu uziemiającego.
 - 3) Długi przewód musi być poprowadzony w taki sposób, aby nie zwisał ze stołu lub blatu, gdzie mógłby być pociągany przez dzieci albo stanowić zagrożenie potknięcia.

CZYSZCZENIE

Upewnij się, czy kuchenka jest odłączona od zasilania.

1. Po użyciu wyczyść wnętrze kuchenki za pomocą wilgotnej ściereczki.
2. Wyczyść akcesoria w normalny sposób w wodzie z detergentem.
3. Jeżeli rama drzwiczek, uszczelka oraz sąsiednie elementy są brudne, należy je ostrożnie wyczyścić za pomocą wilgotnej ściereczki.
4. Nie używaj ostrych środków czyszczących o właściwościach ściernych ani ostrych metalowych skrobaków do czyszczenia szkła drzwiczek kuchenki mikrofalowej, ponieważ mogą one porysować powierzchnię, co może doprowadzić do rozbicia szkła.
5. Wskazówka dot. czyszczenia---W celu ułatwienia czyszczenia wewnętrznych ścianek, które mogą mieć styczność z żywnością: Włóż połówkę cytryny do miski, wlej 300 ml wody i podgrzewaj przez 10 minut, ustawiając 100% mocy kuchenki mikrofalowej. Wytrzyj wnętrze kuchenki do czysta miękką, suchą ściereczką.

NACZYNIA OSTROŻNIE

Niebezpieczeństwo obrażeń ciała

Wykonywanie jakichkolwiek czynności serwisowych lub napraw polegających na zdjęciu pokrywy chroniącej przed narażeniem na działanie energii mikrofalowej stanowi zagrożenie dla osób nieposiadających odpowiednich kompetencji.

Patrz wskazówki „Materiały, których wolno używać lub należy unikać w kuchence mikrofalowej”. Niektórych niemetalowych naczyń nie można bezpiecznie używać do gotowania w kuchence mikrofalowej. W razie wątpliwości można przetestować naczynia zgodnie z poniższą procedurą.

Testowanie naczyń:

1. Napełnij pojemnik bezpieczny do stosowania w kuchence mikrofalowej kubkiem zimnej wody (250 ml) i włóż do kuchenki wraz z badanym naczyniem.
2. Gotuj na maksymalnej mocy przez 1 minutę.
3. Ostrożnie dotknij naczynie. Jeżeli puste naczynie jest gorące, nie stosuj go do gotowania w kuchence mikrofalowej.
4. Nie przekraczaj czasu gotowania 1 minuty.

Materiały, które możesz stosować w kuchence mikrofalowej

Naczynia	Uwagi
Naczynie do przyrumieniania	Stosuj się do wskazówek producenta. Spód naczynia musi znajdować się co najmniej 5 mm nad talerzem obrotowym. Niewłaściwe użytkowanie może doprowadzić do zniszczenia talerza.
Naczynia stołowe	Tylko bezpieczne do stosowania w kuchenkach mikrofalowych. Stosuj się do wskazówek producenta. Nie używaj naczyń popękanych lub wyszczerbionych.
Słoje szklane	Zawsze zdejmuj pokrywkę. Stosuj wyłącznie do podgrzewania żywności. Większość słoików nie jest żaroodpornych i może pękać.
Naczynia szklane	Wyłącznie naczynia żaroodporne. Upewnij się, czy nie mają one metalowych opasek. Nie używaj naczyń popękanych lub wyszczerbionych.
Torebki do pieczenia w kuchence	Stosuj się do wskazówek producenta. Nie zamykaj torebek za pomocą metalowej opaski. Nakłuj je, aby wypuścić z nich parę.
Papierowe talerze i filiżanki	Stosuj tylko do krótkotrwałego gotowania/podgrzewania. Podczas gotowania nie pozostawiaj kuchenki bez nadzoru.
Ręczniki papierowe	Stosuj do przykrywania dań podczas odgrzewania lub usuwania nadmiaru tłuszczu. Stosuj pod nadzorem jedynie podczas krótkotrwałego gotowania.
Papier pergaminowy	Używaj jako ochronę przed rozpryskiwaniem lub do owijania w celu gotowania na parze.
Plastik	Tylko bezpieczne do stosowania w kuchenkach mikrofalowych. Stosuj się do wskazówek producenta. Naczynia plastikowe powinny być oznaczone etykietą „Bezpieczne dla kuchenek mikrofalowych” (Microwave Safe). Niektóre plastikowe naczynia miękną, gdy żywność wewnątrz nagrzej się. Woreczki do gotowania lub szczelnie zamykane torebki plastikowe powinny być perforowane, nakłuwane lub wentylowane, zgodnie ze wskazówkami na opakowaniu.
Opakowania plastikowe	Tylko bezpieczne do stosowania w kuchenkach mikrofalowych. Stosuj do przykrycia żywności podczas gotowania w celu zachowania wilgotności. Nie dopuść, aby plastikowe opakowanie dotykało żywności.
Termometry	Tylko bezpieczne do stosowania w kuchenkach mikrofalowych (termometry do mierzenia temperatury mięsa i słodkich wypieków).
Papier woskowy	Używaj do przykrycia jedzenia w celu ochrony przed rozpryskami oraz zachowania wilgoci.

Materiały, których nie należy stosować w kuchence mikrofalowej

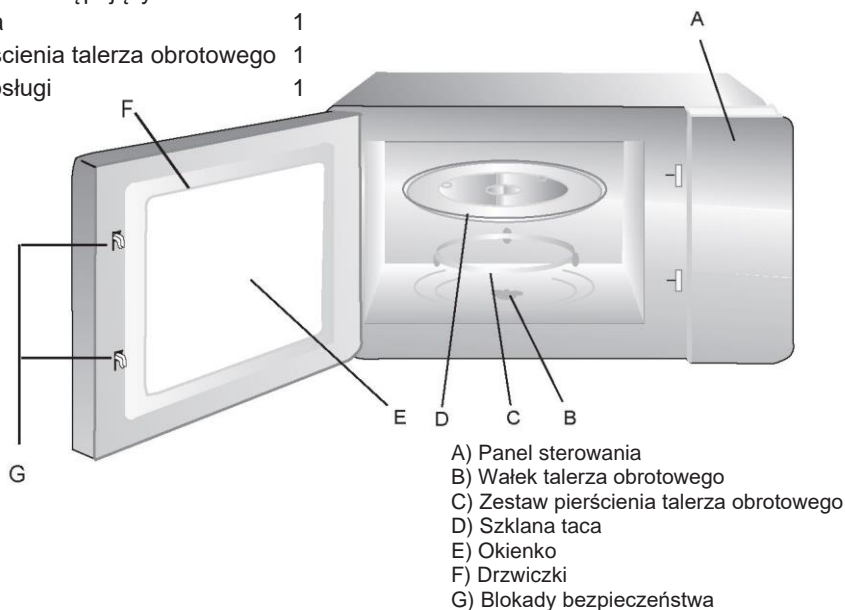
Naczynia	Uwagi
Tace aluminiowe	Mogą powodować iskrzenie. Przełóż żywność do naczyń bezpiecznych do stosowania w kuchenkach mikrofalowych.
Pudełka kartonowe z metalowymi uchwytami	Mogą powodować iskrzenie. Przełóż żywność do naczyń bezpiecznych do stosowania w kuchenkach mikrofalowych.
Naczynia metalowe lub metalizowane	Metal nie dopuszcza energii mikrofalowej do żywności. Opaski metalowe mogą być przyczyną iskrzenia.
Metalowe druciki do wiązania	Mogą spowodować iskrzenie i pożar w kuchence.
Torebki papierowe	Mogą być przyczyną pożaru wewnątrz kuchenki.
Piana plastikowa	Przy wysokiej temperaturze może się rozpuścić lub zanieczyścić płyn znajdujący się wewnątrz.
Drewno	Drewno używane w kuchence mikrofalowej wysycha, może się rozszpeciwać lub popękać.

USTAWIANIE KUCHENKI MIKROFALOWEJ

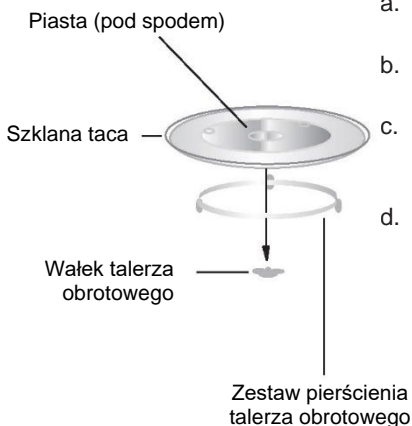
Części i akcesoria

Wymij kuchenkę oraz wszystkie materiały z pudełka i wnętrza kuchenki. Kuchenka jest dostarczana z następującymi akcesoriami:

Szklana taca	1
Zestaw pierścienia talerza obrotowego	1
Instrukcja obsługi	1



Instalowanie obrotowego talerza



- Nigdy nie ustawiaj szklanej tacy spodem do góry. Ruch szklanej tacy nigdy nie może być ograniczony.
- Podczas gotowania w kuchenke należy zawsze używać szklanego talerza z zestawem obrotowego pierścienia.
- Podczas gotowania całą żywność oraz pojemniki z żywnością należy zawsze umieszczać na obrotowym talerzu.
- W przypadku pęknięcia szklanej tacy lub zestawu obrotowego pierścienia skontaktuj się z najbliższym autoryzowanym punktem serwisowym.

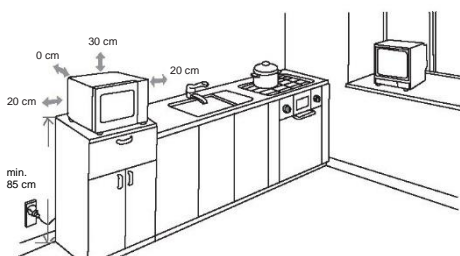
Montaż na blacie

Usuń wszystkie opakowania i akcesoria. Sprawdź kuchenkę pod kątem uszkodzeń, takich jak wgniecenia lub pęknięcie drzwi. Nie instaluj, jeśli urządzenie jest uszkodzone.

Szafka: Usuń folię ochronną znajdującą się na powierzchni obudowy kuchenki mikrofalowej. Nie zdejmuj jasnobrązowej płytki Mica, która jest zamontowana w komorze kuchenki, aby chronić magnetron.

Montaż

1. Wybierz równą powierzchnię, która zapewnia wystarczająco dużo miejsca na wloty powietrza i/lub wyloty wentylacyjne.



(1) Minimalna wysokość montażu to 85 cm.

(2) Tylną powierzchnię urządzenia należy przysunąć do ściany.

Pozostaw minimalny odstęp 30 cm nad kuchenką; minimalny wymagany odstęp między kuchenką a przylegającymi ścianami to 20 cm.

(3) Nie usuwaj nóżek ze spodu kuchenki.

(4) Zablockowanie otworów wlotowych i/lub wylotowych może doprowadzić do uszkodzenia kuchenki.

(5) Umieść kuchenkę jak najdalej od radia i telewizora. Działanie kuchenki mikrofalowej może powodować zakłócenia w odbiorze radia lub telewizji.

2. Podłącz kuchenkę do standardowego gniazdka elektrycznego. Upewnij się, że napięcie i częstotliwość są takie same jak napięcie i częstotliwość na tabliczce znamionowej.

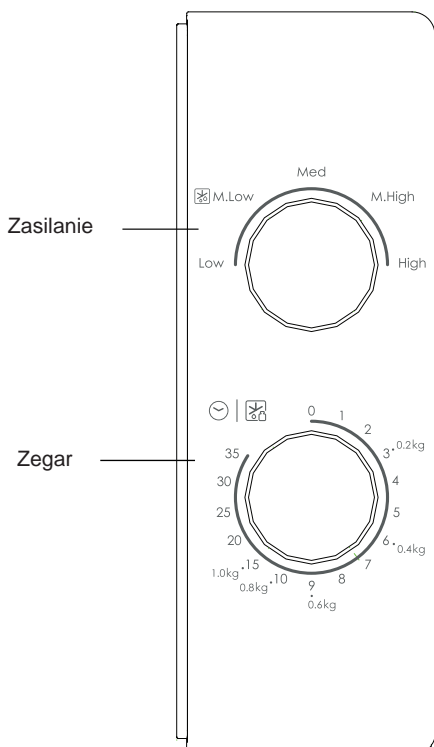
OSTRZEŻENIE: Nie instaluj kuchenki nad płytą kuchenną lub innym urządzeniem wytwarzającym ciepło. W przypadku zainstalowania kuchenki nad źródłem ciepła lub w jego pobliżu kuchenka może ulec uszkodzeniu, co spowoduje utratę gwarancji.

Powierzchnia dostępna podczas działania kuchenki może być gorąca.



OBSŁUGA

Panel sterowania i funkcje Instrukcja obsługi



1. Aby ustawić moc gotowania, ustaw pokrętko mocy na żądany poziom.
2. Aby ustawić czas gotowania, ustaw pokrętko zegara na żądany czas zgodnie z zaleceniami dotyczącymi konkretnego dania.
3. Kuchenka mikrofalowa automatycznie włączy się po ustawieniu poziomu mocy i czasu.
4. Po upływie czasu gotowania rozlegnie się charakterystyczny dzwonek i urządzenie się wyłączy.
5. Jeśli urządzenie nie jest używane, zawsze ustawiaj czas na „0”.

Funkcja/poziom mocy	Moc wyjściowa	Zastosowanie
Low	119 W	Zmiękczenie lodów
Med. Low (rozmrzanie)	231 W	Zupa gulaszowa, zmiękczenie masła lub rozmrażanie
Med.	385 W	Gulasz, ryba
Med. High	539 W	Ryż, ryba, kurczak, mięso mielone
High	700 W	Odrzewanie, mleko, gotowanie wody, warzywa, napoje

Uwaga: Podczas wyjmowania żywności z kuchenki należy upewnić się, że zasilanie kuchenki jest wyłączone, ustawiając pokrętko zegara na 0 (zero). Niezastosowanie się do tego zalecenia i włączenie pustej kuchenki mikrofalowej może spowodować przegrzanie i uszkodzenie magnetronu.

Rozwiązywanie problemów

Stan normalny	
Kuchenka zakłóca odbiór programów TV	Praca kuchenki mikrofalowej może powodować zakłócenia odbiorników radiowych i telewizyjnych. Zakłócenia te są podobne do zakłóceń wywołanych przez małe urządzenia elektryczne takie, jak mikser, odkurzacz, wentylator itp. To normalne.
Przyciemnione światło wewnątrz kuchenki	Podczas gotowania przy niskiej mocy mikrofal wewnętrzne oświetlenie kuchenki może zostać przyciemnione. To normalne.
Para gromadzi się na drzwiczkach, gorące powietrze wydobywa się przez otwory wentylacyjne.	Podczas gotowania z żywności może wydobywać się para. Większość pary odprowadzana jest przez otwory wentylacyjne. Jednak część pary może osadzać się na chłodnych częściach kuchenki (np. na drzwiczkach). To normalne.
Kuchenka została przypadkowo włączona bez żywności.	Zabrania się używać kuchenki bez żywności wewnątrz. Jest to bardzo niebezpieczne.

Problem	Potencjalna przyczyna	Rozwiązanie
Kuchenka nie chce się włączyć.	(1) Wtyczka kabla zasilającego nie jest dokładnie włożona do gniazdka.	Wymij wtyczkę z gniazdka. Włóż ponownie po upływie 10 sekund.
	(2) Przepalił się bezpiecznik lub zadziałał wyłącznik awaryjny.	Wymień bezpiecznik lub zresetuj wyłącznik awaryjny (te czynności powinien wykonać kompetentny personel naszej firmy)
	(3) Problem z gniazdkiem.	Sprawdź gniazdko przy pomocy innego urządzenia elektrycznego.
Kuchenka nie grzeje.	(4) Niedokładnie zamknięte drzwiczki.	Dokładnie zamknij drzwiczki.



To urządzenie jest oznakowane zgodnie z Dyrektywą Europejską 2012/19/UE w sprawie przepisów dotyczących zużytego sprzętu elektrycznego i elektronicznego z 2013 r. dotyczących urządzeń elektrycznych i elektronicznych (WEEE). Zużyty sprzęt elektryczny i elektroniczny zawiera substancje zanieczyszczające (które mogą wywierać negatywny wpływ na środowisko) oraz elementy podstawowe (które nadają się do ponownego wykorzystania). Ważne jest właściwe przetwarzanie zużytego sprzętu elektrycznego i elektronicznego w celu prawidłowego usunięcia i utylizacji wszystkich substancji zanieczyszczających oraz odzyskania pozostałych materiałów. Każdy może odegrać ważną rolę w zadbaniu o to, by zużyty sprzęt elektryczny i elektroniczny nie zagrażał środowisku. Zasadnicze znaczenie ma przestrzeganie kilku podstawowych zasad:

- Zużytego sprzętu elektrycznego i elektronicznego nie należy traktować jak odpadów z gospodarstwa domowego;
- Zużyty sprzęt elektryczny i elektroniczny powinien być odwożony do wyznaczonych punktów zbiórki odpadów zarządzanych przez radę miasta lub zarejestrowaną firmę.

W wielu krajach organizowane są lokalne zbiórki dużego zużytego sprzętu elektrycznego i elektronicznego. Po zakupie nowego urządzenia, stare można oddać dostawcy, który musi je bezpłatnie przyjąć w ramach wymiany, jeśli to urządzenie jest podobnego typu i ma takie same funkcje jak urządzenie zakupione.



Forno Micro-ondas

MANUAL DE INSTRUÇÕES

MODELO:CMW20SMW
CMW20SMB

Leia cuidadosamente estas instruções antes de utilizar o seu forno micro-ondas e fazer uma manutenção cuidadosa do mesmo.

Se seguir as instruções, o seu forno irá dar-lhe muitos anos de bom serviço.

GUARDE ESTAS INSTRUÇÕES CUIDADOSAMENTE

PRECAUÇÕES PARA EVITAR UMA POSSÍVEL EXPOSIÇÃO A ENERGIA EXCESSIVA DOS MICRO-ONDAS

(a) Não tente operar este forno com a porta aberta, pois isso pode resultar em exposição prejudicial à energia das micro-ondas. É importante não quebrar nem violar os bloqueios de segurança.

(b) Não coloque nenhum objeto entre a parte frontal do forno e a porta, nem deixe que sujidade ou resíduos de limpeza se acumulem em superfícies de vedação.

(c) AVISO: Se a porta ou os vedantes da porta estiverem danificados, o forno não deve ser operado até ter sido reparado por uma pessoa competente.

ADENDA

Se o aparelho não for mantido num bom estado de limpeza, a sua superfície poderá ser degradada e afetar a vida útil do aparelho e provocar uma situação perigosa.

Especificações

Modelo:	CMW20SMW / CMW20SMB
Tensão Nominal:	230V~ 50Hz
Potência nominal de entrada (Micro-ondas):	1050 W
Potência nominal de saída (Micro-ondas):	700 W
Capacidade do forno:	20 L
Diâmetro do prato giratório:	Ø 255 mm
Dimensões externas:	439.5*357.5*258.2mm
Peso Líquido:	Aprox. 10.2 kg

AVISO DE INSTRUÇÕES DE SEGURANÇA IMPORTANTES

Para reduzir o risco de incêndio, choque elétrico, ferimentos a pessoas ou exposição a energia excessiva do forno de micro-ondas ao usar o seu aparelho, siga as precauções básicas, incluindo as seguintes:

1. Leia e siga as instruções específicas: “PRECAUÇÕES PARA EVITAR UMA POSSÍVEL EXPOSIÇÃO A ENERGIA EXCESSIVA DOS MICRO-ONDAS”.
2. Este aparelho pode ser utilizado por crianças de idade igual ou superior a 8 anos e por pessoas com capacidades físicas, sensoriais ou mentais reduzidas ou falta de experiência e conhecimento, caso lhes tenha sido fornecida supervisão ou instruções relativas à utilização do aparelho de forma segura e desde que compreendam os perigos envolvidos. As crianças não devem brincar com o aparelho. A limpeza e manutenção pelo utilizador não deve ser realizada por crianças sem supervisão.
3. Mantenha o aparelho e o cabo fora do alcance de crianças com menos de 8 anos.
4. Se o cabo de alimentação estiver danificado, tem de ser substituído pelo fabricante, pelo agente de serviço ou por pessoas igualmente qualificadas de forma a evitar o perigo.
5. AVISO: Certifique-se de que o aparelho está desligado antes de substituir a lâmpada, para evitar a possibilidade de choques elétricos.
6. AVISO: É perigoso para qualquer pessoa que não seja uma pessoa competente efetuar qualquer operação de serviço ou reparação que envolva a remoção de uma

tampa que ofereça proteção contra exposição à energia de micro-ondas.

7. AVISO: Os líquidos e outros alimentos não devem ser aquecidos em recipientes fechados, uma vez que são suscetíveis de explodir.
8. Ao aquecer os alimentos em recipientes de plástico ou de papel, fique atento ao forno devido à possibilidade de ignição.
9. Use apenas utensílios adequados para utilização em fornos micro-ondas.
10. Se estiver a sair fumo, desligue ou desconecte o aparelho e mantenha a porta fechada para abafar qualquer chama.
11. O aquecimento de bebidas no micro-ondas pode resultar em ebulição eruptiva tardia, portanto, deve ter-se cuidado ao manusear o recipiente.
12. O conteúdo dos biberões e da comida para bebé em frascos deve ser mexido ou abanado, e a sua temperatura deve ser verificada antes do consumo de forma a evitar queimaduras.
13. Os ovos com casca e ovos cozidos inteiros não devem ser aquecidos em fornos micro-ondas porque podem explodir, mesmo depois de o aquecimento no micro-ondas ter terminado.
14. O forno deve ser limpo regularmente e quaisquer depósitos de alimentos removidos.
15. A falta de manutenção do forno numa condição limpa pode provocar uma deterioração da superfície suscetível de afetar negativamente a vida útil do aparelho e eventualmente resultar numa situação perigosa.
16. Este aparelho não pode ser instalado atrás de uma porta decorativa de forma a evitar sobreaquecimento. (Isto não se aplica a aparelhos com porta decorativa.)

17. Utilize apenas a sonda de temperatura recomendada para este forno. (para fornos fornecidos com uma instalação para utilizar uma sonda de sensor de temperatura.)
18. O forno micro-ondas não deve ser colocado num armário, a menos que tenha sido testado num armário.
19. O forno micro-ondas tem de ser operado com a porta decorativa aberta. (para fornos com porta decorativa.)
20. Este aparelho destina-se a ser utilizado em meio doméstico e aplicações semelhantes tais como:
 - áreas de cozinha para o pessoal em lojas, escritórios e outros ambientes de trabalho;
 - por clientes em hotéis, motéis e outros ambientes de tipo residencial;
 - quintas;
 - ambientes de tipo alojamento e pequeno-almoço.
21. O forno micro-ondas destina-se a aquecer alimentos e bebidas. Secar alimentos, peças de roupa e aquecer almofadas térmicas, chinelos, esponjas, panos húmidos e similares pode causar riscos de lesão, ignição ou incêndio.
22. Não é permitido utilizar recipientes metálicos para alimentos e bebidas no micro-ondas.
23. O aparelho não deve ser limpo com um aparelho de limpeza a vapor.
24. O aparelho destina-se a ser utilizado autonomamente.
25. A face traseira dos aparelhos deve ser colocada contra uma parede.

**LEIA ATENTAMENTE E GUARDE PARA
CONSULTA FUTURA**

Para reduzir o risco de lesão é necessário ligar à terra

PERIGO

Risco de choque elétrico
Tocar em alguns dos componentes internos pode provocar lesão grave ou morte. Não desmontar este aparelho.

AVISO

Risco de choque elétrico
Uma utilização inadequada da ligação à terra pode resultar em choque elétrico. Não ligue a uma tomada até que o aparelho esteja instalado e ligado à terra.

Este aparelho tem estar ligado à terra. No caso de um curto-circuito elétrico, a ligação à terra reduz o risco de choque elétrico, fornecendo um fio de escape para a corrente elétrica. Este aparelho está equipado com um cabo que possui um fio de terra com uma tomada de ligação a terra. A ficha deve ser ligada a uma tomada corretamente instalada e ligada à terra. Consulte um eletricitista qualificado ou técnico se as instruções de

ligação à terra não estiverem completamente compreendidas ou se existirem dúvidas sobre se o aparelho está corretamente ligado à terra. Se for necessário utilizar um cabo de extensão, utilize apenas um cabo de extensão de 3 fios.

1. É fornecido um curto cabo de alimentação para reduzir os riscos resultantes de se enredar ou tropeçar num cabo comprido.
2. Se for utilizado um conjunto de cabos ou cabo de extensão:
 - 1) A classificação elétrica marcada do conjunto de cabo ou extensão deve ser igual ou superior à classificação elétrica do aparelho.
 - 2) O cabo de extensão deve ter um fio de terra de 3 fios.
 - 3) O cabo comprido deve ser disposto de forma a não ficar atravessado sobre a bancada ou tampo de mesa onde possa ser puxado por crianças ou onde alguém possa tropeçar acidentalmente.

LIMPEZA

Certifique-se de desligar o aparelho da fonte de alimentação.

1. Limpe a cavidade do forno depois de usar com um pano ligeiramente húmido.
2. Limpe os acessórios da maneira habitual em água e sabão.
3. A estrutura da porta e o vedante e as partes adjacentes devem ser limpos cuidadosamente com um pano húmido quando estiverem sujos.
4. Não use produtos de limpeza abrasivos ou raspadores afiados de metal para limpar o vidro da porta do forno, uma vez que podem arranhar a superfície, o que pode fazer estalar o vidro.
5. Dica de limpeza---Para uma limpeza mais fácil das paredes da cavidade nas quais os alimentos cozidos podem tocar: Coloque meio limão numa tigela, adicione 300 ml de água e aqueça com a potência do micro-ondas a 100% durante 10 minutos. Limpe o forno com um pano macio e seco.

UTENSÍLIOS CUIDADO

Perigo de lesão

É perigoso para qualquer pessoa que não seja uma pessoa competente efetuar qualquer operação de serviço ou reparação que envolva a remoção de uma tampa que ofereça proteção contra exposição à energia de micro-ondas.

Veja as instruções em "Materiais que pode usar no forno micro-ondas ou a evitar no forno a micro-ondas." Pode haver alguns utensílios não-metálicos que não são seguros de usar em micro-ondas. Em caso de dúvida, pode testar o utensílio em questão após o procedimento abaixo.

Teste do utensílio:

1. Encha um recipiente seguro para micro-ondas com 1 chávena de água fria (250 ml) juntamente com o utensílio em questão.
2. Cozinhe na potência máxima durante 1 minuto.
3. Sinta cuidadosamente o utensílio. Se o utensílio vazio estiver quente, não o utilize para cozinhar no micro-ondas.
4. Não exceda 1 minuto de tempo de cozedura.

Materiais que pode usar no forno micro-ondas

Utensílios	Comentários
Prato para micro-ondas	Siga as instruções do fabricante. O fundo do prato deve ter pelo menos 3/16 polegadas (5 mm) acima do prato giratório. O uso incorreto pode fazer com que o prato giratório quebre.
Loiça	Apenas para micro-ondas. Siga as instruções do fabricante. Não use pratos rachados ou com falhas.
Taças de vidro	Remova sempre a tampa. Utilize apenas para aquecer alimentos. A maioria dos frascos de vidro não é resistente ao calor e pode quebrar.
Artigos de vidro	Apenas artigos de vidro para forno resistentes ao calor. Certifique-se de que não há qualquer decoração de metal. Não use pratos rachados ou com falhas.
Sacos para cozinhar no forno	Siga as instruções do fabricante. Não feche com atilho de metal. Faça fendas para permitir que o vapor se liberte.
Pratos e copos de papel	Utilizar apenas para cozinhar/aquecer durante pouco tempo. Não deixe o forno sem vigilância durante a cozedura.
Toalhas de papel	Use para cobrir alimentos para reaquecer e absorver a gordura. Use com supervisão apenas para cozinhar a curto prazo.
Papel manteiga	Use como cobertura para evitar salpicar ou como uma película para vapor.
Plástico	Apenas para micro-ondas. Siga as instruções do fabricante. Deve ter o rótulo "Seguro para Micro-ondas". Alguns recipientes de plástico amolecem, à medida que a comida aquece. "Sacos para cozer" e sacos de plástico estanques devem ser cortados, perfurados ou ventilados consoante indicado na embalagem.
Película de plástico	Apenas para micro-ondas. Use para cobrir alimentos durante a cozedura para reter a humidade. Não permita que a película de plástico toque na comida.
Termómetros	Apenas seguro para micro-ondas (termómetros para carne e doces).
Papel de cera	Use como cobertura para evitar salpicar ou reter humidade.

Materiais a ser evitados no forno a micro-ondas

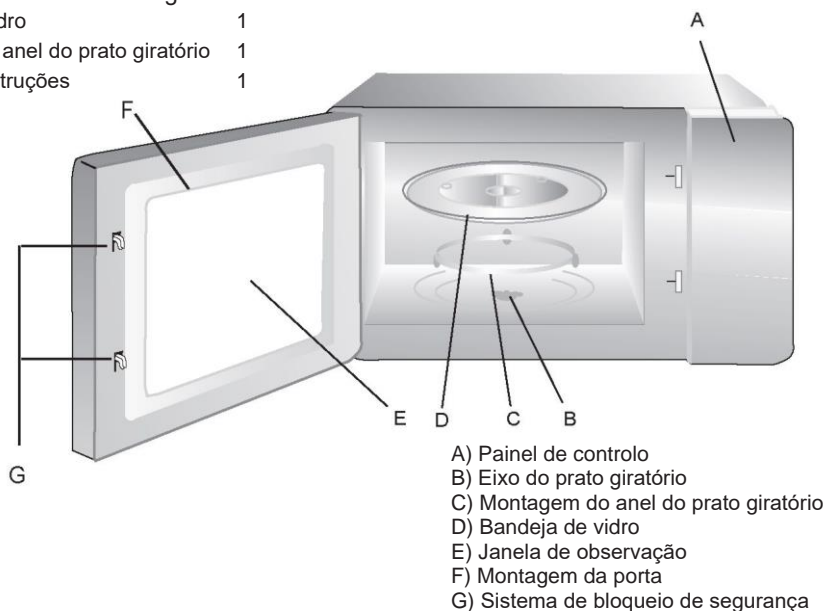
Utensílios	Comentários
Bandeja de alumínio	Pode causar arco. Transfira os alimentos para um prato seguro para micro-ondas.
Caixa de cartão com pega de metal para alimentos	Pode causar arco. Transfira os alimentos para um prato seguro para micro-ondas.
Utensílios de metal ou com decoração de metal	O metal blinda os alimentos da energia do micro-ondas. Uma decoração e metal pode causar arco.
Atilhos de metal	Podem provocar arco e pode causar um incêndio no forno.
Sacos de papel	Pode provocar um incêndio no forno.
Espuma de plástico	A espuma de plástico pode derreter ou contaminar o líquido no interior quando exposto a altas temperaturas.
Madeira	A madeira secará quando utilizada no forno micro-ondas e pode rachar ou quebrar.

CONFIGURAR O SEU FORNO

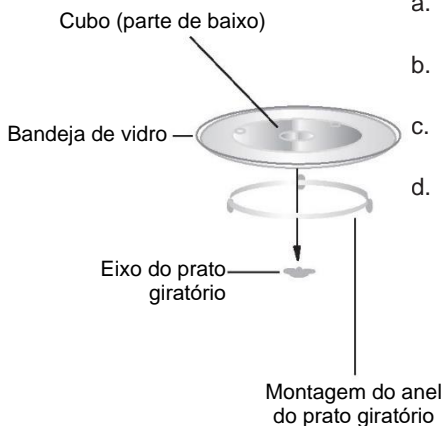
Nomes de peças de forno e acessórios

Remova o forno e todos os materiais da caixa de cartão e da cavidade do forno. O seu forno é fornecido com os seguintes acessórios:

Bandeja de vidro	1
Montagem do anel do prato giratório	1
Manual de Instruções	1



Instalação do prato giratório



- Nunca coloque a bandeja de vidro voltada para baixo. A bandeja de vidro nunca deve estar restringida.
- O conjunto da bandeja de vidro e prato giratório devem ser sempre utilizados durante a cozedura.
- Todos os alimentos e recipientes de alimentos são sempre colocados na bandeja de vidro para cozinhar.
- Se bandeja de vidro ou anel do prato giratório se rachar ou quebrar, entre em contato com o seu centro de serviço autorizado mais próximo.

Instalação de bancada

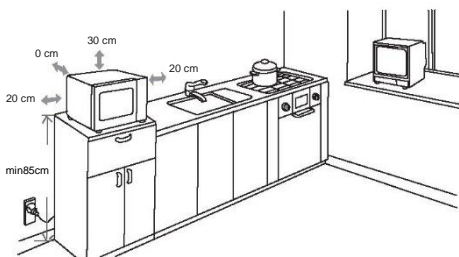
Remova todo o material da embalagem e acessórios. Examine o forno quanto a danos como amolgadelas ou porta quebrada. Não instale se o forno estiver danificado.

Armário: Remova qualquer película protetora encontrada na superfície do armário do forno micro-ondas.

Não remova a cobertura castanha leve Mica que está ligada ao forno de cavidade para proteger o magnetron.

Instalação

1. Selecione uma superfície nivelada que ofereça espaço livre suficiente para as ventilações de entrada e/ou saída.



- (1) A altura mínima de instalação é de 85 cm.
- (2) A face traseira do aparelho deve ser colocada contra uma parede. Deixe uma folga mínima de 30 cm acima do forno, é necessária uma folga mínima de 20 cm entre o forno e quaisquer paredes adjacentes.
- (3) Não retire as pernas da parte de baixo do forno.
- (4) Bloquear as aberturas de entrada e/ou saída pode danificar o forno.

(5) Coloque o forno o mais longe possível de rádios e TV. A operação do forno micro-ondas pode causar interferência no rádio ou na recepção da TV.

2. Ligue o forno a uma tomada doméstica padrão. Certifique-se de que a tensão e a frequência são iguais à tensão e à frequência na etiqueta da classificação.

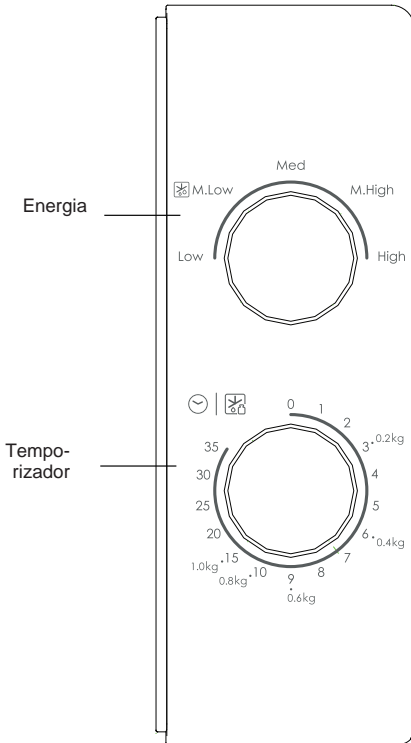
AVISO: Não instale o forno sobre uma placa de cozinha nem outro aparelho produtor de calor. Se instalado perto ou sobre uma fonte de calor, o forno pode ser danificado e a garantia seria anulada.

A superfície acessível pode estar quente durante o funcionamento



FUNCIONAMENTO

Instruções de Operação do Painel de Controlo e Funcionalidades



1. Para regular a potência de cozedura, rodando o botão de potência para o nível desejado.
2. Para definir o tempo de confeção, rodando o botão do temporizador para o tempo desejado de acordo com o seu guia de cozinha.
3. O forno micro-ondas inicia automaticamente a cozedura após o nível de potência e o tempo serem definidos.
4. Após terminado o tempo de cozinhado, a unidade emite um som tipo "Dong" para parar.
5. Se a unidade não estiver a ser usada, ajuste sempre o tempo para "0".

Função/Potência	Saída	Aplicação
Low	119W	Amolecer gelado
Med. Low (Descongelação)	231W	Aquecer sopa, amolecer manteiga ou descongelar
Med.	385W	Ensopado, peixe
Med. High	539 W	Arroz, peixe, frango, carne moída
High	700W	Reaquecer, leite, ferver água, legumes, bebidas

Aviso: Ao retirar os alimentos do forno, certifique-se de que a potência do forno é desligada rodando o interruptor do temporizador para 0 (zero). Se não o fizer, e se operar o forno micro-ondas sem comida dentro, isto pode provocar sobreaquecimento e danos no magnetron.

Resolução de problemas

Normal	
Forno micro-ondas a interferir com a receção de TV	A receção de rádio e TV pode ser interferida durante o funcionamento do forno de micro-ondas. É semelhante à interferência de pequenos aparelhos elétricos, como misturador, aspirador de pó e ventilador elétrico. Isto é normal.
Luz do forno fraca	Quando se cozinha no micro-ondas a baixa potência, a luz do forno pode tornar-se fraca. Isto é normal.
Vapor a acumular na porta, ar quente fora das aberturas	Na cozinha, o vapor pode sair dos alimentos. A maioria sairá das aberturas. Mas algum pode acumular-se no num local fresco como a porta do forno. Isto é normal.
O forno ligou-se acidentalmente sem comida dentro.	É proibido pôr o aparelho a funcionar sem qualquer alimento dentro. É muito perigoso.

Problema	Causa possível	Solução
Não se consegue ligar o forno.	(1) Cabo de alimentação mal conectado.	Desligue. Em seguida, volte a ligar após 10 segundos.
	(2) Fusível fundido ou curto-circuito.	Substituir o fusível ou repor o curto-circuito (reparado por pessoal profissional da nossa empresa)
	(3) Problema com a tomada.	Saída de teste com outros aparelhos elétricos.
O forno não aquece.	(4) A porta não está bem fechada.	Feche bem a porta.



Este aparelho está rotulado em conformidade com a Diretiva Europeia 2012/19/UE sobre Resíduos de Equipamentos Elétricos e Eletrónicos 2013 no que respeita aos aparelhos eléctricos e electrónicos (REEE). REEE inclui substâncias poluentes (que podem ter um efeito nocivo no ambiente) e elementos base (que podem ser reutilizados). É importante que os REEE sejam submetidos a tratamentos específicos para remover e eliminar corretamente os poluentes e recuperar todos os materiais. Os indivíduos têm um papel importante em assegurar que os REEE não se tornam num problema ambiental; é essencial seguir algumas regras básicas:

- os REEE não devem ser tratados como resíduos domésticos;
- os REEE devem ser entregues em áreas de recolha dedicadas geridas pela câmara ou uma empresa registada.

Em muitos países, recolhas domésticas podem estar disponíveis para REEEs grandes. Ao comprar um novo aparelho, o antigo pode ser devolvido ao fornecedor que tem de o recolher sem qualquer custo, pontualmente, desde que o equipamento seja de um tipo equivalente e tenha as mesmas funções que o eletrodoméstico comprado.



Cuptor cu microunde

MANUAL DE UTILIZARE

MODEL: CMW20SMW
CMW20SMB

Citiți cu atenție aceste instrucțiuni înainte de a utiliza cuptorul cu microunde și păstrați-l cu grijă.

Urmarea instrucțiunilor asigură buna funcționare a cuptorului dvs. timp de mulți ani.

PĂSTRAȚI CU GRIJĂ ACESTE INSTRUCȚIUNI

PRECAUȚII PENTRU A EVITA POSIBILA EXPUNERE LA ENERGIA EXCESIVĂ EMISĂ DE MICROUND

(a) Nu încercați să utilizați acest cuptor cu ușa deschisă, deoarece acest lucru poate duce la expunerea dăunătoare la energia emisă de microunde. Este important să nu eliminați sau să modificați dispozitivele de blocare.

(b) Nu așezați niciun obiect între parte frontală a cuptorului și ușă și nu lăsați murdăria sau reziduurile de curățare să se acumuleze pe suprafețele de etanșare.

(c) AVERTIZARE: Dacă ușa sau garniturile ușii sunt deteriorate, cuptorul nu trebuie să fie pus în funcțiune până când nu a fost reparat de o persoană calificată.

ANEXĂ

Dacă nu păstrați aparatul curat, suprafața acestuia se poate deteriora, ceea ce poate afecta durata de viață a aparatului și poate duce la o situație periculoasă.

SPECIFICAȚII

Model:	CMW20SMW / CMW20SMB
Tensiune nominală:	230V~ 50Hz
Putere nominală de intrare (microunde):	1050 W
Putere nominală de ieșire (microunde):	700 W
Capacitate cuptor:	20 l
Diametru placă rotativă:	Ø 255 mm
Dimensiuni externe:	439.5*357.5*258.2mm
Greutate netă:	Aproximativ 10.2 kg

AVERTISMENT CU PRIVIRE LA INSTRUCȚIUNI IMPORTANTE DE SIGURANȚĂ

Pentru a reduce riscul de incendiu, electrocutare, rănirea persoanelor sau expunerea la energie excesivă a cuptorului cu microunde atunci când utilizați aparatul, urmați măsurile de precauție de bază, inclusiv următoarele:

1. Citiți și urmați instrucțiunile specifice: „PRECAUȚII PENTRU A EVITA POSIBILA EXPUNERE LA ENERGIA EXCESIVĂ EMISĂ DE MICROUNDRE“.
2. Acest aparat poate fi utilizat de către copiii cu vârste de minim 8 ani și de către persoanele cu abilități fizice, senzoriale sau mentale reduse sau cu lipsă de experiență sau cunoștințe, cu condiția să fie supravegheate sau instruite corespunzător privind modul de utilizare a acestui aparat în siguranță și să înțeleagă pericolele implicate. Nu lăsați copiii să se joace cu aparatul. Curățarea și întreținerea de către utilizator nu vor fi efectuate de copii fără supraveghere.
3. Nu lăsați aparatul și cablul acestuia la îndemâna copiilor cu vârsta mai mică de 8 ani.
4. În cazul în care cablul de alimentare este deteriorat, acesta trebuie înlocuit de către producător, agentul de service sau de persoane calificate similare, pentru a evita orice pericol.
5. AVERTIZARE: Asigurați-vă că aparatul este oprit înainte de a înlocui becul, pentru a evita posibilitatea de electrocutare.
6. AVERTIZARE: Este periculos ca orice altă persoană în afară de o persoană instruită, să efectueze orice operațiune de service sau reparație care implică îndepărtarea oricărui capac care oferă protecție împotriva expunerii la energia emisă de microunde.

7. AVERTIZARE: Lichidele și alte alimente nu trebuie încălzite în recipiente sigilate, deoarece pot exploda.
8. Când încălziți alimente în recipiente de plastic sau hârtie, supravegheați cuptorul întrucât există posibilitatea aprinderii.
9. Utilizați numai ustensile care sunt adecvate pentru utilizarea în cuptoarele cu microunde.
10. Dacă se degajă fum, opriți sau deconectați aparatul și țineți ușa închisă pentru a înăbuși orice flăcări.
11. Încălzirea băuturilor la cuptorul cu microunde poate duce la fierbere întârziată în clocote, de aceea trebuie avut grijă când manipulați recipientul.
12. Conținutul biberoanelor și borcanelor cu mâncare pentru copii trebuie amestecat sau agitat, iar temperatura trebuie verificată înainte de a fi consumate pentru a evita arsurile.
13. Ouăle în coajă și ouăle întregi fierte tare nu trebuie încălzite în cuptoarele cu microunde, deoarece pot exploda chiar și după ce încălzirea la cuptorul cu microunde s-a încheiat.
14. Cuptorul trebuie curățat în mod regulat și orice depuneri de alimente trebuie îndepărtate.
15. Nemenținerea cuptorului într-o stare curată poate duce la deteriorarea suprafeței, ceea ce ar putea afecta negativ durata de viață a aparatului și ar putea duce la o situație de pericol.
16. Aparatul nu trebuie instalat în spatele unei uși de decor pentru a evita supraîncălzirea. (Acest lucru nu este valabil pentru aparatele cu ușă decorativă.)
17. Folosiți doar sonda de temperatură recomandată pentru acest cuptor. (pentru cuptoarele prevăzute cu posibilitatea de a utiliza o sondă de detectare a temperaturii.)

18. Cuptorul cu microunde nu trebuie așezat într-un dulap decât dacă a fost testat într-un dulap.
19. Operarea cuptorului cu microunde trebuie efectuată cu ușa decorativă deschisă. (pentru cuptoare cu ușa decorativă.)
20. Acest aparat este destinat utilizării în rezidențe și aplicații similare, cum ar fi:
 - în zona de bucătărie pentru personalul din magazine, în birouri sau alte medii de lucru;
 - de către clienții din hoteluri, moteluri și alte tipuri de zone rezidențiale;
 - la ferme;
 - la pensiuni.
21. Cuptorul cu microunde este destinat încălzirii alimentelor și băuturilor. Uscarea alimentelor sau a îmbrăcămintei și încălzirea compreselor termice, papucilor, bureților, cârpei umede și a altor obiecte asemănătoare pot duce la risc de rănire, aprindere sau incendiu.
22. Recipientele metalice pentru alimente și băuturi nu sunt permise în timpul gătirii la microunde.
23. Aparatul nu trebuie curățat cu un aparat de curățat cu abur.
24. Aparatul este conceput pentru a fi utilizat de sine stătător.
25. Suprafața din spate a aparatelor trebuie să fie plasată pe un perete.

**CITIȚI CU ATENȚIE ȘI PĂSTRAȚI PENTRU
A PUTEA CONSULTA PE VIITOR**

Pentru a reduce riscul de rănire a persoanelor Instalarea împământării

PERICOL

Pericol de electrocutare
Atingerea unora dintre componentele interne poate provoca vătămări corporale grave sau deces.
Nu dezasamblați acest aparat.

AVERTISMENT

Pericol de electrocutare
Utilizarea necorespunzătoare a împământării poate duce la electrocutare. Nu conectați la priză până când aparatul nu este instalat și împământat corespunzător.

Acest aparat trebuie să fie împământat. În cazul unui scurtcircuit electric, împământarea reduce riscul de electrocutare prin furnizarea unui fir de descărcare a curentului electric. Acest aparat este echipat cu un cablu care are un fir de împământare cu un ștecher de împământare. Ștecherul trebuie conectat la o priză care este instalată și împământată corespunzător. Consultați un electrician sau un tehnician de service

calificat dacă instrucțiunile de împământare nu sunt pe deplin înțelese sau dacă există îndoieli cu privire la împământarea corectă a aparatului. Dacă este necesar să utilizați un prelungitor, utilizați numai un prelungitor cu 3 fire.

1. Este furnizat un cablu scurt de alimentare pentru a reduce riscurile care rezultă din încurcarea unui cablu mai lung sau împiedicarea de acesta.
2. Dacă se folosește un set de cablu lung sau un prelungitor:
 - 1) Valoarea electrică nominală marcată a setului de cablu sau a prelungitorului trebuie să fie cel puțin la fel de mare ca și valoarea nominală electrică a aparatului.
 - 2) Prelungitorul trebuie să fie un cablu cu 3 fire, de tip împământare.
 - 3) Cablul lung trebuie aranjat astfel încât să nu atârne peste blatul sau masă, de unde copiii îl pot trage sau cineva se poate împiedica accidental.

CURĂȚAREA

Asigurați-vă că deconectați aparatul de la sursa de alimentare.

1. Curățați cavitatea cuptorului după utilizare cu o cârpă ușor umedă.
2. Curățați accesoriile ca de obicei, cu apă cu săpun.
3. Tocul și garnitura ușii, precum și piesele adiacente trebuie curățate cu atenție cu o cârpă umedă atunci când sunt murdare.
4. Nu folosiți substanțe de curățare abrazive dure, sau dispozitive metalice de răzuire ascuțite pentru a curăța geamul de la ușa cuptorului întrucât acestea pot zgâria suprafața, ceea ce putea duce la spargerea sticlei.
5. Sfat de curățare---Pentru o curățare mai ușoară a pereților cavității care pot intra în contact cu alimentele: Puneți o jumătate de lămâie într-un castron, adăugați 300 ml (1/2 litri) de apă și încălziți la microunde, cu o putere de 100%, timp de 10 minute. Ștergeți cuptorul cu o cârpă moale și uscată.

USTENSILE

ATENȚIE

Pericol de vătămare corporală

Este periculos ca orice altă persoană în afară de o persoană instruită, să efectueze orice operațiune de service sau reparație care implică îndepărtarea oricărui capac care oferă protecție împotriva expunerii la energia emisă de microunde.

Consultați instrucțiunile din secțiunea „Materiale pe care le puteți utiliza în cuptorul cu microunde sau a căror utilizare trebuie evitată în cuptorul cu microunde.” Este posibil să existe anumite ustensile nemetalice care nu sunt sigure pentru a fi utilizate în cuptorul cu microunde. Dacă aveți dubii, puteți testa ustensila în cauză urmând procedura de mai jos.

Testarea ustensilei:

1. Întru-un recipient pentru cuptorul cu microunde, puneți ustensila și turnați cu 1 cană de apă rece (250 ml).
2. Gătiți la putere maximă timp de 1 minut.
3. Puneți cu grijă mâna pe ustensilă. Dacă ustensilele goale sunt calde, nu le utilizați pentru gătitul la microunde.
4. Timpul de gătit nu trebuie să depășească un minut.

Materiale pe care le puteți folosi în cuptorul cu microunde

Ustensile	Observații
Vas pentru rumenire	Urmați instrucțiunile producătorului. Partea inferioară a vasului pentru rumenire trebuie să fie la cel puțin 3/16 inch (5 mm) deasupra plăcii rotative. Utilizarea incorectă poate duce la spargerea plăcii rotative.
Vesela	Numai apt pentru utilizarea în cuptorul cu microunde. Urmați instrucțiunile producătorului. Nu folosiți vase crăpate sau ciobite.
Borcane din sticlă	Scoateți întotdeauna capacul. Utilizați doar pentru a încălzi alimentele până când sunt calde. Majoritatea borcanelor din sticlă nu sunt termorezistente și se pot sparge.
Obiecte din sticlă	Numai obiectele din sticlă termorezistentă pentru utilizarea în cuptor. Asigurați-vă că nu există ornamente metalice. Nu folosiți vase crăpate sau ciobite.
Pungi pentru gătit în cuptor	Urmați instrucțiunile producătorului. Nu închideți cu sârme de legat. Faceți niște tăieturi pentru a îi permite aburului să iasă.
Farfurii și pahare din hârtie	Utilizați numai pentru gătit/încălzire rapidă. Nu lăsați cuptorul nesupravegheat în timp ce gătiți.
Șervetele de hârtie	Utilizați pentru a acoperi alimentele pentru a reîncălzi și a absorbi grăsimile. Supravegheați în timpul utilizării, numai pentru gătitul rapid.
Hârtie de copt	Utilizați pentru a acoperi și a preveni stropirea sau ca un înveliș pentru abur.
Plastic	Numai apt pentru utilizarea în cuptorul cu microunde. Urmați instrucțiunile producătorului. Ar trebui să fie etichetat ca „potrivit pentru utilizarea în cuptorul cu microunde”. Unele recipiente din plastic se înmoaie pe măsură ce alimentele din interior se încălzesc. „Pungile de fierbere” și pungile de plastic închise ermetic trebuie tăiate, perforate sau ventilate conform instrucțiunilor de ambalaj.
Folie de plastic	Numai apt pentru utilizarea în cuptorul cu microunde. Utilizați pentru a acoperi alimentele în timpul gătirii pentru a reține umiditatea. Nu lăsați ca folia de plastic să atingă alimentele.
Termometre	Numai cele potrivite pentru utilizarea în cuptorul cu microunde (termometre pentru carne și bomboane).
Hârtie cerată	Utilizați pentru a acoperi și a preveni stropirea și a menține umiditatea.

Materiale a căror utilizare trebuie evitată în cuptorul cu microunde

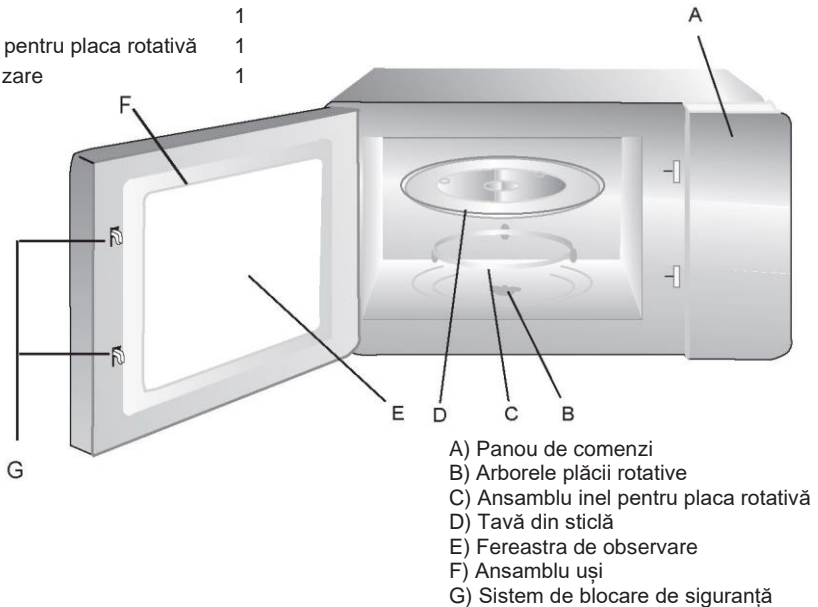
Ustensile	Observații
Tavă din aluminiu	Poate provoca arc. Transferați alimentele într-un vas potrivit pentru utilizarea în cuptorul cu microunde.
Cutie alimentară cu mâner metalic	Poate provoca arc. Transferați alimentele într-un vas potrivit pentru utilizarea în cuptorul cu microunde.
Ustensile metalice sau cu decorațiuni din metal	Metalul face ca energia microundelor să nu acționeze asupra alimentelor. Elementele metalice pot provoca arc.
Sârme de închidere din metal	Pot provoca arc și pot provoca un incendiu în cuptor.
Pungă din hârtie	Poate provoca un incendiu în cuptor.
Spuma din plastic	Spuma de plastic se poate topi sau contamina lichidul din interior atunci când este expusă la temperaturi ridicate.
Lemn	Lemnul se va usca atunci când este folosit în cuptorul cu microunde și se poate despică sau crăpa.

INSTALAREA CUPTORULUI

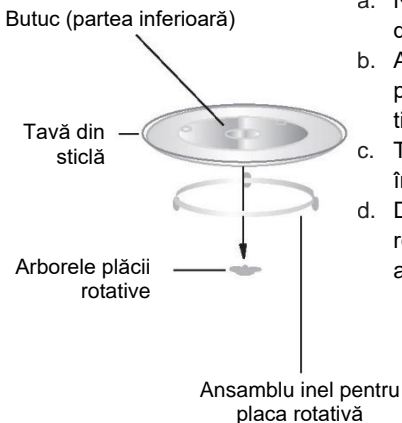
Numele pieselor și accesoriilor cuptorului

Scoateți cuptorul și toate materialele din cutie și din cavitatea cuptorului. Cuptorul dumneavoastră este livrat împreună cu următoarele accesorii:

Tavă din sticlă	1
Ansamblu inel pentru placa rotativă	1
Manual de utilizare	1



Instalarea plăcii rotative



- Nu așezați niciodată tava din sticlă cu susul în jos. Tava din sticlă nu trebuie niciodată restricționată.
- Atât tava din sticlă, cât și ansamblul inelului pentru placa rotativă trebuie să fie întotdeauna utilizate în timpul gătitului.
- Toate alimentele și recipientele cu alimente sunt întotdeauna așezate pe tava din sticlă pentru a fi gătite.
- Dacă tava din sticlă sau ansamblul inelului pentru placa rotativă se sparge sau se rupe, contactați cel mai apropiat centru de service autorizat.

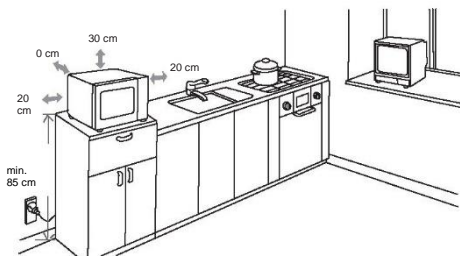
Instalare blat

Scoateți toate materialele de ambalare și accesoriile. Verificați cuptorul pentru a detecta orice daune, cum ar fi lovituri sau uși sparte. Nu instalați cuptorul dacă este deteriorat.

Carcasă: Îndepărtați orice folie de protecție de pe suprafața carcasei cuptorului cu microunde. Nu scoateți capacul de mica maro deschis care este atașat la cavitatea cuptorului pentru a proteja magnetronul.

Instalare

1. Alegeți o suprafață plană care să ofere suficient spațiu liber pentru orificiile de admisie și/sau de evacuare.



- (1) Înălțimea minimă de instalare este de 85 cm.
- (2) Suprafața din spate a aparatului trebuie să fie plasată pe un perete. Lăsați un spațiu de minim 30 cm deasupra cuptorului și un spațiu de minim 20 cm între cuptor și pereții adiacenți.
- (3) Nu scoateți picioarele din partea inferioară a cuptorului.
- (4) Blocarea orificiilor de admisie și/sau evacuare poate deteriora cuptorul.

(5) Așezați cuptorul cât mai departe de radio și televizor. Funcționarea cuptorului cu microunde poate cauza interferențe la recepția radio sau TV.

2. Conectați cuptorul la o priză standard de uz casnic. Asigurați-vă că tensiunea și frecvența sunt aceleași cu tensiunea și frecvența de pe eticheta cu datele de identificare.

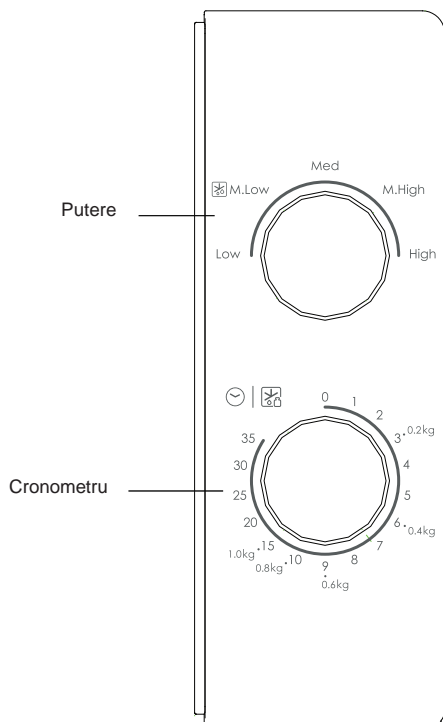
AVERTIZARE: Nu instalați cuptorul peste o plită de gătit sau peste alt aparat care produce căldură. Dacă este instalat lângă sau deasupra unei surse de căldură, cuptorul ar putea fi deteriorat și garanția ar fi anulată.

Suprafața accesibilă poate fi fierbinte în timpul funcționării.



OPERAȚIUNE

Panoul de control și funcții Instrucțiuni de utilizare



1. Pentru a seta puterea de gătit, rotiți butonul de alimentare la nivelul dorit.
2. Pentru a seta timpul de gătit, rotiți butonul cronometrului la timpul dorit, conform ghidului dumneavoastră de gătit.
3. Cuptorul cu microunde va începe automat gătitul după setarea nivelului de putere și a timpului.
4. După expirarea timpului de gătit, unitatea va emite un avertisment sonor și se va opri.
5. Dacă nu utilizați unitatea, setați întotdeauna timpul la „0”.

Funcție/Putere	Ieșire	Aplicație
Low	119W	Înmoaie înghețata
Med. Low (Dezghețare)	231W	Dezghețați tocana, înmuiați untul sau dezghețați
Med.	385W	Tocană, pește
Med. High	539W	Orez, pește, pui, carne tocată
High	700W	Reîncălziți lapte, fierbeți apa, legumele, băuturi

Observație: Când scoateți alimentele din cuptor, asigurați-vă că aparatul este oprit prin rotirea comutatorului cronometrului la 0 (zero). Nerespectarea acestui lucru și funcționarea cuptorului cu microunde fără alimente în interior poate duce la supraîncălzire și deteriorarea magnetronului.

DEPANARE

Normal	
Cuptorul cu microunde interferează recepția TV	Recepția radio și TV poate suferi interferențe atunci când cuptorul cu microunde funcționează. Este similară cu interferențele produse de aparatele electrice de mici dimensiuni, cum ar fi mixerul, aspiratorul și ventilatorul electric. Acest lucru este normal.
Lumină slabă a cuptorului	În cazul gătirii cu microunde de putere mică, lumina cuptorului poate deveni slabă. Acest lucru este normal.
Se acumulează abur pe ușă, aer cald din orificii de ventilație	În timpul gătitului, alimentele pot degaja abur. În cea mai mare parte, aburul va ieși prin orificiile de ventilație. Însă o parte din abur se poate acumula pe un loc răcoros, cum ar fi ușa cuptorului. Acest lucru este normal.
Cuptorul a pornit accidental, fără alimente înăuntru.	Este interzisă funcționarea unității fără alimente în interior. Acest lucru este foarte periculos.

Probleme	Cauză posibilă	Soluție
Cuptorul nu poate fi pornit.	(1) Cablul de alimentare nu este bine conectat.	Deconectați. Apoi conectați din nou după 10 secunde.
	(2) Sare siguranța sau întrerupătorul de circuit se activează.	Înlocuiți siguranța sau reseați întrerupătorul (reparat de personal profesionist din cadrul companiei noastre)
	(3) Probleme cu priza.	Testați priza cu alte aparate electrice.
Cuptorul nu se încălzește.	(4) Ușa nu s-a închis bine.	Închideți bine ușa.



Acest aparat este etichetat în conformitate cu Directiva Europeană 2012/19/UE privind Reglementările privind deșeurile de echipamente electrice și electronice 2013 privind aparatele electrice și electronice (DEEE). DEEE conține substanțele poluante (care pot avea un efect negativ asupra mediului) și elementele de bază (care pot fi reutilizate). Este important ca DEEE să fie supuse tratamentelor specifice pentru a îndepărta și elimina corect substanțele poluante și a recupera toate materialele. Persoanele pot juca un rol important în a asigura că DEEE nu devin o problemă de mediu: este vital să urmați câteva dintre regulile de bază:

- DEEE nu trebuie tratate drept reziduu domestic;
 - DEEE trebuie duse în zone de colectare dedicate, gestionate de primărie sau de o companie autorizată.
- În multe țări, colectările domestice pot fi disponibile pentru DEEE de dimensiuni mari. atunci când cumpărați un aparat nou, cel vechi poate fi returnat la distribuitorul care trebuie să îl accepte gratuit câte unul, atât timp cât aparatul este de tip echivalent și are aceleași funcții ca și aparatul achiziționat.



Mikrotalasna pećnica

UPUTSTVO ZA UPOTREBU

**MODEL:CMW20SMW
CMW20SMB**

**Pažljivo pročitajte ova uputstva pre upotrebe
mikrotalasne pećnice i pažljivo ih čuvajte.**

Ako pratite uputstva, vaša pećnica će dugo godina dobro raditi.

PAŽLJIVO ČUVAJTE OVA UPUTSTVA

MERE PREDOSTROŽNOSTI KAKO BI SE IZBEGLO MOGUĆE IZLAGANJE PRETERANOJ MIKROTALASNOJ ENERGIJI

(a) Ne pokušavajte da koristite ovu pećnicu sa otvorenim vratima jer to može dovesti do štetnog izlaganja mikrotalasnoj energiji. Važno je da ne razbijete ili neovlašćeno menjate sigurnosne blokade.

(b) Ne stavljajte nikakav predmet između prednje strane pećnice i vrata i ne dozvolite da se prljavština ili ostaci sredstva za čišćenje natalože na zaptivnim površinama.

(c) **UPOZORENJE:** Ako su vrata ili zaptivke na vratima oštećene, nije dozvoljeno rukovati pećnicom dok je ne popravi stručna osoba.

DODATAK

Ako se aparat ne održava u dobrom stanju čistoće, njegova površina može biti degradirana i uticati na radni vek aparata i dovesti do opasne situacije.

Specifikacije

Model:	CMW20SMW / CMW20SMB
Nazivni napon:	230 V ~ 50 Hz
Nominalna ulazna snaga (Mikrotalasna):	1050 W
Nominalna izlazna snaga (Mikrotalasna)	700 W
Kapacitet pećnice:	20 L
Prečnik okretnog postolja:	Ø 255 mm
Spoljne dimenzije:	439.5*357.5*258.2mm
Neto težina:	Pribl. 10.2 kg

VAŽNO UPOZORENJE O BEZBEDNOSNIM UPUTSTVIMA

Da biste smanjili rizik od požara, strujnog udara, povreda ili izloženosti prekomernoj energiji mikrotalasne pećnice prilikom korišćenja uređaja, pratite osnovne mere predostrožnosti, uključujući sledeće:

1. Pročitajte i pratite određene: „**MERE PREDOSTROŽNOSTI KAKO BI SE IZBEGLO MOGUĆE IZLAGANJE PRETERANOJ MIKROTALASNOJ ENERGIJI**“.
2. Ovaj uređaj smeju da koriste deca uzrasta od 8 godina i osobe sa smanjenim fizičkim, čulnim ili mentalnim sposobnostima ili nedostatkom iskustva i znanja, ako su pod nadzorom ili ako imaju na raspolaganju uputstva u vezi sa upotrebom uređaja na bezbedan način i ako razumeju opasnosti koje su uključene. Deca ne smeju da se igraju uređajem. Čišćenje i održavanje od strane korisnika ne smeju da vrše deca bez nadzora.
3. Držite uređaj i njegov kabl van domašaja dece mlađe od 8 godina.
4. Ako je mrežni kabl oštećen, mora da ga zameni proizvođač, radnik servisne službe ili slično kvalifikovana lica kako bi se izbegla opasnost.
5. **UPOZORENJE:** Uverite se da je uređaj isključen pre zamene lampe kako bi se izbegla mogućnost strujnog udara.
6. **UPOZORENJE:** Opasno je da bilo ko osim stručnog lica vrši bilo koji servis ili popravku koji uključuju skidanje poklopca koji pruža zaštitu od izlaganja mikrotalasnoj energiji.

7. UPOZORENJE: Tečnosti i druga hrana ne smeju se zagrevati u zatvorenim posudama jer mogu eksplodirati.
8. Prilikom zagrevanja hrane u plastičnim ili papirnim posudama, pazite na pećnicu zbog mogućnosti paljenja.
9. Koristite samo posuđe koje je pogodno za upotrebu u mikrotalasnim pećnicama.
10. Ako se pojavljuje dim, isključite ili iskopčajte uređaj iz struje i držite vrata zatvorena kako biste ugušili plamen.
11. Mikrotalasno zagrevanje pića može dovesti do odloženog eruptivnog ključanja, stoga je potrebno voditi računa prilikom rukovanja posudom.
12. Sadržaj bočica za hranjenje i teglica sa hranom za bebe mora biti promešan potresen. Potrebno je proveriti temperaturu pre konzumiranja, kako biste izbegli opekotine.
13. Jaja u ljusci i cela tvrdo kuvana jaja ne treba zagrejati u mikrotalasnim pećnicama jer mogu eksplodirati, čak i nakon završetka zagrevanja mikrotalasima.
14. Pećnicu treba redovno čistiti i ukloniti sve naslage hrane.
15. Neodržavanje pećnice čistom može dovesti do pogoršanja površine što bi mogla negativno uticati na radni vek uređaja i eventualno dovesti do opasne situacije.
16. Uređaj ne sme biti postavljen iza dekorativnih vrata kako biste izbegli pregrevanje. (Ovo se ne primenjuje za uređaje sa dekorativnim vratima.)
17. Koristite samo temperaturnu sondu preporučenu za ovu pećnicu. (Za pećnice sa opremom za korišćenje sonde za merenje temperature.)
18. Mikrotalasna pećnica ne sme biti stavljena u ormarić, osim ako je testirana u njemu.

19. Mikrotalasna pećnica mora da radi sa otvorenim dekorativnim vratima. (Za pećnice sa dekorativnim vratima.)
20. Ovaj uređaj je namenjen za korišćenje u domaćinstvu i sličnim primenama kao što su:
 - područja za kuhinjsko osoblje u prodavnicama, kancelarijama i drugim radnim okruženjima;
 - od strane klijenata u hotelima, motelima i drugim okruženjima stambenog tipa;
 - kuće na farmama;
 - okruženja tipa noćenja sa doručkom.
21. Mikrotalasna pećnica je namenjena za zagrevanje hrane i pića. Sušenje hrane ili odeće i zagrevanje jastučića za zagrevanje, papuča, sunđera, vlažne krpe i slično može dovesti do rizika od povreda, paljenja ili požara.
22. Metalne posude za hranu i piće nisu dozvoljeni tokom kuvanja u mikrotalasnoj pećnici.
23. Nije dozvoljeno čistiti uređaj parnim čistačem.
24. Uređaj je namenjen da se koristi samostalno stojeći.
25. Zadnja površina uređaja treba biti postavljena na zid.

**PAŽLJIVO PROČITAJTE I SAČUVAJTE ZA
BUDUĆU REFERENCU**

Da biste smanjili rizik od povreda lica Uzemljenje instalacija

OPASNOST

Opasnost od strujnog udara
Dodirivanje nekih
unutrašnjih komponenti
može izazvati ozbiljne
povrede ili smrt.
Ne rasklapajte ovaj uređaj.

UPOZORENJE

Opasnost od strujnog udara
Neppravilna upotreba
uzemljenja može dovesti do
strujnog udara. Nemojte
priključiti u utičnicu dok
uređaj nije pravilno
postavljen i uzemljen.

Ovaj uređaj mora biti
uzemljen. U slučaju strujnog
kratkog spoja, uzemljenje
smanjuje rizik od strujnog
udara obezbeđujući žicu za
odvođenje električne
energije. Ovaj uređaj je
opremljen kablom koji ima
žicu za uzemljenje sa
utikačem za uzemljenje.
Utikač mora biti priključen u
utičnicu koja je pravilno
postavljena i uzemljena.
Obratite se kvalifikovanom

električaru ili serviseru ako
uputstva za uzemljenje nisu
u potpunosti razumljiva ili
ako postoji sumnja da li je
uređaj pravilno uzemljen.
Ako je potrebno koristiti
produžni kabl, koristite
samo 3-žilni produžni kabl.

1. Kratak kabl za napajanje
je obezbeđen kako bi se
smanjili rizici koji proizilaze
iz uplitanja ili saplitanja
preko dužeg kabla.
2. Ako se komplet dugih
kablova ili produžni kabl:
1) Označena električna
klasa kompleta kablova ili
produžnog kabla treba da
bude najmanje jednaka kao
električna klasa uređaja.
- 2) Produžni kabl mora biti 3-
žilni kabl uzemljenog tipa.
- 3) Dugi kabl treba da bude
postavljen tako da se neće
zavijati preko pulta ili gornje
ploče stola gde ga deca
mogu povući ili se slučajno
spotaknuti.

ČIŠĆENJE

Obavezno isključite uređaj iz napajanja.

1. Nakon upotrebe očistite šupljinu pećnice malo vlažnom krpom.
2. Očistite dodatnu opremu na uobičajeni način vodom sa sapunicom.
3. Okvir vrata i zaptivanje i susedni delovi moraju se pažljivo očistiti vlažnom krpom kada su prljavi.
4. Nemojte koristiti oštra abrazivna sredstva za čišćenje ili oštre metalne strugače za čišćenje stakla vrata pećnice jer mogu ogrebat površinu, što može dovesti do pucanja stakla.
5. Savet za čišćenje---Za lakše čišćenje zidova šupljine koje kuvana hrana može dodirivati: Stavite pola limuna u posudu, dodajte 300 ml (1/2 pinte) vode i zagrejte na 100% snazi mikrotalasa 10 minuta. Obrišite pećnicu čistom mekom i suvom krpom.

PRIBOR

OPREZ

Opasnost od ličnih povrede

Opasno je da bilo ko osim stručnog lica vrši bilo koji servis ili popravku koji uključuju skidanje poklopca koji pruža zaštitu od izlaganja mikrotalasnoj energiji.

Pogledajte uputstva o „Materijalima koje možete koristiti u mikrotalasnoj pećnici ili koje treba izbegavati u mikrotalasnoj pećnici“. Možda postoji određeni nemetalni pribor koji nije bezbedan za korišćenje pri radu sa mikrotalasnom pećnicom. Ako imate nedoumica, možete testirati taj pribor prateći postupak ispod.

Test pribora:

1. Napunite posudu koja odgovara mikrotalasnoj pećnici 1 šoljom hladne vode (250 ml) zajedno sa tim priborom.
2. Kuvajte na maksimalnoj snazi 1 minut.
3. Pažljivo pipnite pribor. Ako je prazna posuda topla, nemojte je koristiti za kuvanje u mikrotalasnoj pećnici.
4. Nemojte prekoračiti 1 minut vremena kuvanja.

Materijali koje možete koristiti u mikrotalasnoj pećnici

Pribor	Napomene
Pekač	Pratite uputstva proizvođača. Dno pekača mora biti najmanje 3/16 inča (5mm) iznad okretnog postolja. Nepravilna upotreba može prouzrokovati pucanje okretnog postolja.
Posuđe	Samo koje je pogodno za upotrebu u mikrotalasnoj pećnici. Pratite uputstva proizvođača. Nemojte koristiti ispucalo ili iskrzalo posuđe.
Staklene tegle	Uvek skinite poklopac. Koristite samo za zagrevanje hrane dok se malo zagreje. Većina staklenih tegli nisu otporne na toplotu i mogu pući.
Stakleno posuđe	Samo stakleno posuđe otporno na toplotu pećnice. Uverite se da nema metalnih ukrasa. Nemojte koristiti ispucalo ili iskrzalo posuđe.
Kese za kuvanje u pećnici	Pratite uputstva proizvođača. Ne zatvarajte metalnom vezicom. Napravite proreze kako biste omogućili izlazak pare.
Papirni tanjiri i čaše	Koristite samo za kratkoročno kuvanje/zagrevanje. Ne ostavljajte pećnicu bez nadzora dok kuvate.
Papirni ubrusi	Koristite za pokrivanje hrane za podgrevanje i upijanje masti. Koristite sa nadzorom samo za kratkoročno kuvanje.
Pergament papir	Koristite kao poklopac kako biste sprečili prskanje ili kao omot za kuvanje na pari.
Plastika	Samo koje je pogodno za upotrebu u mikrotalasnoj pećnici. Pratite uputstva proizvođača. Trebalo bi da ima oznaku „Bezbedno za mikrotalasnu pećnicu“. Neke plastične posude omekšavaju, jer hrana unutra postane vrela. „Vreće za kuvanje“ i čvrsto zatvorene plastične kese treba prorezati, probiti ili provetravati prema uputstvu na paketu.
Plastična folija	Samo koje je pogodno za upotrebu u mikrotalasnoj pećnici. Koristite za pokrivanje hrane tokom kuvanja kako biste zadržali vlagu. Nemojte dozvoliti da plastična folija dodiruje hranu.
Termometri	Samo bezbedni za mikrotalasnu pećnicu (termometri za meso i bombona).
Voštani papir	Koristite kao poklopac kako biste sprečili prskanje i zadržali vlagu.

Materijali koje treba izbegavati u mikrotalasnoj pećnici

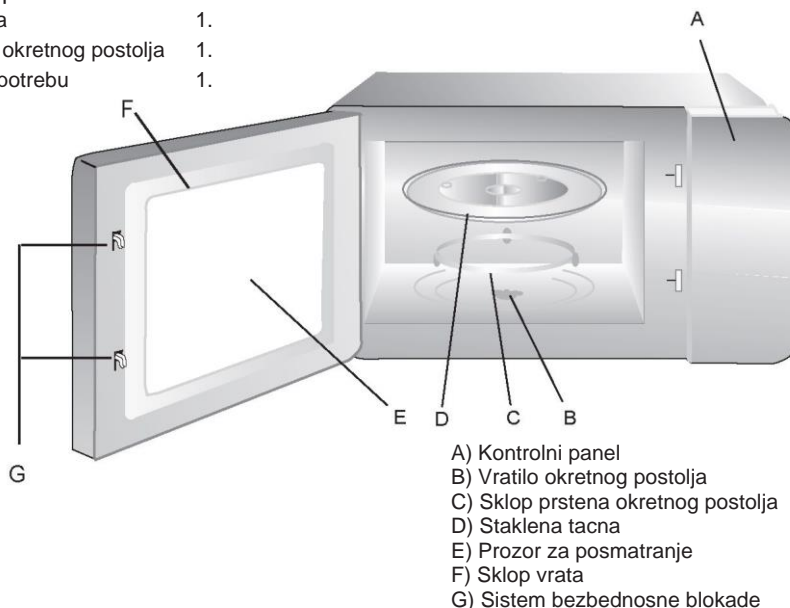
Pribor	Napomene
Aluminijumske tacne	Može izazvati pojavu električnog luka. Prenesite hranu u posudu pogodnu za mikrotalasnu pećnicu.
Karton za hranu sa metalnom drškom	Može izazvati pojavu električnog luka. Prenesite hranu u posudu pogodnu za mikrotalasnu pećnicu.
Metalni ili pribor sa metalnim ukrasima	Metal štiti hranu od mikrotalasne energije. Metalni ukrasi mogu izazvati pojavu električnog luka.
Metalne vezice	Mogu izazvati pojavu električnog luka i dovesti do požara u pećnici.
Papirne kese	Mogu izazvati požar u pećnici.
Plastična pena	Plastična pena može da se istopi ili da kontaminira tečnost unutar nje kada je izložena visokoj temperaturi.
Drvo	Drvo će se osušiti kada se koristi u mikrotalasnoj pećnici i može naprsnuti ili se razdvojiti.

PODEŠAVANJE PEĆNICE

Nazivi delova i pribora za pećnicu

Izvadite pećnicu i sve materijale iz kutije i šupljine pećnice. Vaša pećnica se isporučuje sa sledećim priborom:

Staklena tacna	1.
Sklop prstena okretnog postolja	1.
Uputstvo za upotrebu	1.



Instalacija okretnog postolja



- Nikada ne stavljajte staklenu tacnu naopako. Staklena tacna nikada ne sme imati ograničenje u kretanju.
- I staklena tacna i sklop prstena okretnog postolja moraju uvek da se koriste tokom kuvanja.
- Sva hrana i posude za hranu uvek se stavljaju na staklenu tacnu za kuvanje.
- Ako staklena tacna ili sklop prstena okretne ploče puknu ili naprsnu, obratite se najbližem ovlašćenom servisnom centru.

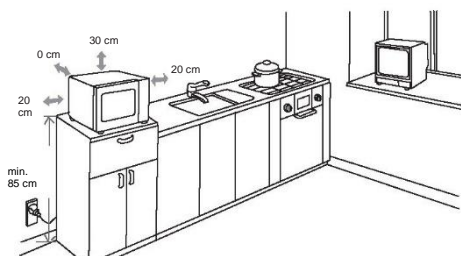
Postavljanje radne ploče

Uklonite sav materijal za pakovanje i dodatnu opremu. Pregledajte pećnicu na bilo kakva oštećenja kao što su udubljenja ili slomljena vrata. Ne postavljajte ako je pećnica oštećena.

Ormarić: Skinite zaštitni film koji se nalazi na površini ormarića za mikrotalasnu pećnicu. Ne skidajte svetlo braon Mica poklopac koji je pričvršćen za šupljinu pećnice kako biste zaštitili mikrotalasnu.

Ugradnja

1. Izaberite ravnu površinu koja obezbeđuje dovoljno otvorenog prostora za usisne i/ili izlazne otvore.



- (1) Minimalna visina instalacije je 85 cm.
- (2) Zadnja površina uređaja će biti postavljena uz zid. Ostavite minimalni razmak od 30 cm iznad pećnice, potreban je minimalni razmak od 20 cm između pećnice i bilo kakvih susjednih zidova.
- (3) Ne uklanjajte noge sa dna pećnice.
- (4) Blokiranje usisnog i/ili izlaznih otvora može oštetiti pećnicu.
- (5) Postavite pećnicu što je moguće dalje od radija

i televizora. Rad mikrotalasne pećnice može ometati prijem radija ili televizora.

2. Priključite pećnicu u standardnu utičnicu za domaćinstvo. Budite sigurni da su je napon i frekvencija isti kao napon i frekvencija na etiketi sa nominalnom snagom.

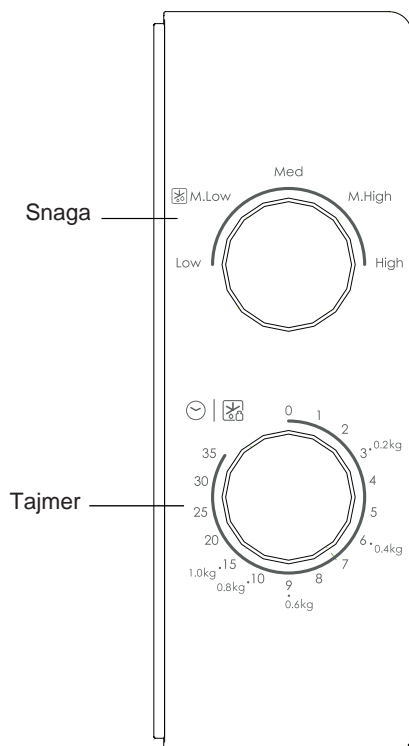
UPOZORENJE: Ne postavljajte pećnicu preko ploče za kuvanje ili drugog uređaja koji proizvodi toplotu. Ako je ugrađena u blizini ili iznad izvora toplote, pećnica može biti oštećena i garancija će biti nevažeća.

Dostupna površina može biti vruća tokom rada.



RAD

Kontrolni panel i funkcije Uputstva za rad



1. Da biste podesili snagu kuvanja okretanjem dugmeta za napajanje na željeni nivo.
2. Da biste podesili vreme kuvanja okretanjem dugmeta tajmera na željeno vreme prema vašem vodiču za kuvanje hrane.
3. Mikrotalasna pećnica će automatski započeti kuvanje nakon podešavanja nivoa snage i vremena.
4. Nakon što istekne vreme kuvanja, jedinica će se oglasiti zvučnim signalom poput „Dong“ za zaustavljanje.
5. Ako se uređaj ne koristi, uvek podesite vreme na „0“.

Funkcija/Snaga	Izlaz	Primena
Low	119 W	Omekšavanje sladoleda
Med. Low (otapanje)	231 W	Dinstanje supe, omekšavanje putera ili odleđivanje
Med.	385 W	Paprikaš, riba
Med. High	539 W	Pirinač, riba, piletina, mleveno meso
High	700 W	Podgrevanje, mleko, ključanje vode, povrće, piće

Obaveštenje: Prilikom vađenja hrane iz rerne, uverite se da je napajanje pećnice isključeno okretanjem prekidača sata na 0 (nula). Ako to ne uradite, a pustite da mikrotalasna pećnica radi bez hrane, može doći do pregrevanja i oštećenja mikrotalasne.

Otkrivanje i otklanjanje problema/kvarova

Normalno	
Mikrotalasna pećnica ometa televizijski prijem	Kada mikrotalasna pećnica radi, ona može ometati radio i televizijski prijem. To je slično ometanju malih električnih uređaja, kao što su mikser, usisivač i električni ventilator. To je normalno.
Prigušeno svetlo u pećnici	Prilikom mikrotalasnog kuvanja niske snage, svetlo pećnice može da se priguši. To je normalno.
Para se akumulira na vratima, topao vazduh izlazi iz otvora	Prilikom kuvanja, para može izaći iz hrane. Veći deo će izaći iz otvora. Ali deo se može akumulirati na hladnom mestu poput vrata pećnice. To je normalno.
Pećnica je slučajno pokrenuta bez hrane u njoj.	Zabranjeno je pokretanje uređaja bez hrane u njemu. Veoma je opasno.

Problem	Mogući uzrok	Rešenje
Nije moguće pokrenuti pećnicu.	(1)Kabl za napajanje nije čvrsto priključen.	Izvcite kabl. Zatim ponovo priključite nakon 10 sekundi.
	(2)Osigurač iskače ili prekidač radi.	Zamenite osigurač ili resetujte prekidač (popravljeno od strane profesionalnog osoblja naše kompanije)
	(3)Problemi sa utičnicom.	Testirajte utičnicu sa drugim električnim uređajima.
Pećnica se ne zagreva.	(4)Vrata nisu dobro zatvorena.	Dobro zatvorite vrata.



Ovaj uređaj je označen u skladu sa Evropskom direktivom 2012/19/EU o propisima o otpadnoj električnoj i elektronskoj opremi iz 2013. u pogledu električnih i elektronskih uređaja (OEEO). OEEO sadrži i zagađujuće supstance (koje mogu negativno uticati na životnu sredinu) i osnovne elemente (koji se mogu ponovo koristiti). Važno je da OEEO podvrgnete određenim tretmanima kako biste pravilno uklonili i odlagali zagađivače i ponovo iskoristili sve materijale. Pojedinci mogu igrati važnu ulogu u osiguravanju da OEEO ne postane ekološki problem; neophodno je pratiti nekoliko osnovnih pravila:

- OEEO ne treba tretirati kao kućni otpad;
- OEEO treba odneti u za to namenjena područja prikupljanja kojima upravlja gradska opština ili registrovano preduzeće.

U mnogim zemljama, prikupljanje u domaćinstvima može biti dostupno za velike OEEO. Kada kupite novi uređaj, stari možete vratiti prodavcu koji ga mora besplatno prihvatiti kao jednokratno, sve dok je uređaj ekvivalentnog tipa i ima iste funkcije kao kupljeni uređaj.



Mikrovlnná rúra

NÁVOD NA OBSLUHU

MODEL:CMW20SMW
CMW20SMB

Pred použitím mikrovlnnej rúry si pozorne prečítajte tento návod a starostlivo ho uschovajte.

Ak budete postupovať podľa pokynov, vaša rúra vám bude slúžiť dobre a dlho.

TIETO POKYNY SI STAROSTLIVO USCHOVAJTE

BEZPEČNOSTNÉ OPATRENIA NA PREDCHÁDZANIE MOŽNÉHO VYSTAVENIA NADMERNEJ MIKROVLNNEJ ENERGII

(a) Nepokúšajte sa používať túto rúru s otvorenými dvierkami, pretože to môže mať za následok škodlivé vystavenie mikrovlnnej energii. Je dôležité, aby ste nepoškodili bezpečnostné zámky ani s nimi nemanipulovali.

(b) Neumiestňujte žiadne predmety medzi prednú stranu rúry a dvierka, ani nedovoľte, aby sa na tesniacich plochách nahromadili nečistoty alebo zvyšky čistiaceho prostriedku.

(c) **VAROVANIE:** Ak sú dvierka alebo tesnenia poškodené, rúra sa nesmie používať, kým ju neopraví kompetentná osoba.

DODATOK

Ak sa spotrebič neudržiava v dobrom stave, čo sa týka čistoty, jeho povrch by sa mohol znehodnotiť, mohlo by to ovplyvniť životnosť zariadenia a viesť k nebezpečnej situácii.

Špecifikácie

Model:	CMW20SMW/CMW20SMB
Menovité napätie:	230V~ 50Hz
Menovitý príkon (mikrovlnná rúra):	1050 W
Menovitý výkon (mikrovlnná rúra):	700 W
Objem mikrovlnnej rúry:	20 l
Priemer otočného taniera:	Ø 255 mm
Vonkajšie rozmery:	439.5*357.5*258.2mm
Váha netto:	Približne 10.2 kg

DÔLEŽITÉ BEZPEČNOSTNÉ UPOZORNENIA

Aby ste znížili riziko požiaru, úrazu elektrickým prúdom, poranenia osôb alebo vystavenia nadmernej energii mikrovlnnej rúry pri používaní vášho spotrebiča, dodržujte základné opatrenia vrátane nasledujúcich:

1. Prečítajte si a dodržujte konkrétne: „BEZPEČNOSTNÉ OPATRENIA NA PREDCHÁDZANIE MOŽNÉHO VYSTAVENIA NADMERNEJ MIKROVLNNEJ ENERGII“.
2. Deti staršie ako 8 rokov a osoby s obmedzenými fyzickými, zmyslovými alebo duševnými schopnosťami alebo nedostatkom skúseností či vedomostí môžu tento spotrebič používať pod dohľadom, resp. po poučení a oboznámení sa s bezpečným spôsobom používania a porozumení možným nebezpečenstvám. Deti sa so spotrebičom nesmú hrať. Čistenie a údržbu nesmú vykonávať deti bez dozoru.
3. Spotrebič a jeho kábel uchovávajte mimo dosahu detí mladších ako 8 rokov.
4. Ak je poškodený vonkajší napájací kábel, v záujme eliminácie akéhokoľvek rizika ho musí vymeniť výrobca, jeho servisný zástupca alebo rovnako kvalifikovaná osoba.
5. **VAROVANIE:** Pred výmenou žiarovky sa uistite, že je spotrebič vypnutý, aby nedošlo k úrazu elektrickým prúdom.
6. **VAROVANIE:** Pre kohokoľvek iného ako kompetentnú osobu je nebezpečné vykonávať akýkoľvek servis alebo opravu, ktorá zahŕňa odstránenie krytu, ktorý poskytuje ochranu pred vystavením mikrovlnnej energii.

7. VAROVANIE: Kvapaliny a iné potraviny sa nesmú ohrievať v uzavretých nádobách, pretože by mohli vybuchnúť.
8. Pri zohrievaní potravín v plastových alebo papierových nádobách sledujte rúru z dôvodu možnosti zapálenia.
9. Používajte len pomôcky, ktoré sú vhodné na použitie v mikrovlnných rúrach.
10. Ak z rúry uniká dym, vypnite alebo odpojte spotrebič a nechajte dvierka zatvorené, aby ste zadusili všetky plamene.
11. Pri mikrovlnnom ohreve nápojov môže dôjsť k oneskorenému veľmi prudkému varu, preto treba s nádobou zaobchádzať veľmi opatrne.
12. Obsah dojčenských fliaš a detskej výživy v pohároch sa musí premiešať alebo pretrepať a pred kŕmením dieťaťa treba skontrolovať ich teplotu, aby sa zabránilo obareniu alebo popáleniu.
13. Vajcia v škrupine a celé vajcia uvarené natvrdo sa nesmú zohrievať v mikrovlnných rúrach, pretože by mohli explodovať, a to aj po skončení zahrievania v mikrovlnnej rúre.
14. Rúra by sa mala pravidelne čistiť a mali by sa odstrániť usadené zvyšky potravín.
15. Ak by sa rúra neudržiavala v čistote, mohlo by to viesť k poškodeniu povrchu, čo by zase mohlo nepriaznivo ovplyvniť životnosť spotrebiča a ohroziť bezpečnosť.
16. Spotrebič sa nesmie inštalovať za dekoratívne dvierka, aby nedošlo k prehriatiu. (Toto sa nevzťahuje na spotrebiče s dekoratívnymi dvierkami.)

17. Používajte iba teplotnú sondu odporúčanú pre túto rúru (v prípade rúr vybavených zariadením na použitie teplotnej sondy).
18. Mikrovlnná rúra sa nesmie umiestniť do skrine, pokiaľ nebola testovaná prevádzku v skrini.
19. Mikrovlnná rúra sa musí používať s otvorenými dekoratívnymi dvierkami. (pre rúry s dekoratívnymi dvierkami.)
20. Tento spotrebič je určený na používanie v domácnostiach a podobných priestoroch, ako napr.:
 - kuchynské priestory pre personál v obchodoch, úradoch a iných pracovných prostrediach,
 - použitie pre zákazníkov v hoteloch, motelloch a ďalších prostrediach rezidenčného typu,
 - farmy,
 - prostredie typu prenocovania s raňajkami.
21. Mikrovlnná rúra je určená na ohrev jedál a nápojov. Sušenie potravín alebo odevov a ohrievanie vyhrievacích podložiek, papúč, špongií, vlhkej utierky a pod. môže viesť k riziku zranenia, vznietenia alebo požiaru.
22. Počas varenia v mikrovlnnej rúre sa na prípravu jedál a nápojov nesmú používať kovové nádoby.
23. Spotrebič sa nesmie čistiť parným čističom.
24. Spotrebič je určený na použitie ako voľne stojaci spotrebič.
25. Zadný povrch spotrebičov má byť umiestnený oproti stene.

**POZORNE PREČÍTAJTE A ODLOŽTE NA POUŽITIE
AJ V BUDÚCNOSTI**

Aby sa znížilo riziko zranenia osôb, elektrická prípojka musí byť uzemnená

NEBEZPEČENSTVO

Nebezpečenstvo úrazu elektrickým prúdom. Dotyk s niektorými vnútornými komponentmi môže spôsobiť vážne zranenie alebo smrť. Tento spotrebič nerozoberajte.

VAROVANIE

Nebezpečenstvo úrazu elektrickým prúdom. Nesprávne použitie uzemnenia môže spôsobiť zásah elektrickým prúdom. Nezapájajte spotrebič do zásuvky, pokiaľ nie je správne nainštalovaný a uzemnený.

Spotrebič musí byť uzemnený. V prípade elektrického skratu uzemnenie znižuje riziko úrazu elektrickým prúdom tým, že poskytuje únikový vodič pre elektrický prúd. Tento spotrebič je vybavený káblom s uzemňovacím vodičom a uzemňovacou zástrčkou. Zástrčka musí byť zapojená do správne nainštalovanej a uzemnenej zásuvky elektrickej siete. Ak ste pokyny na uzemnenie

nepochopili úplne alebo ak máte pochybnosti o správnom uzemnení spotrebiča, požiadajte o pomoc kvalifikovaného elektrikára alebo servisného technika. Ak treba použiť predlžovací elektrický kábel, používajte iba 3-vodičový predlžovací kábel.

1. Krátky elektrický napájací kábel sa dodáva s cieľom znížiť riziká súvisiace so zamotaním do kábla alebo zakopnutím o dlhší kábel.
2. Ak sa používa dlhý kábel alebo predlžovací kábel:
 - 1) Označená hodnota elektrického napätia napájacieho kábla alebo predlžovacieho kábla musí byť minimálne taká veľká ako elektrické napätie spotrebiča.
 - 2) Predlžovací kábel musí byť uzemňovací 3-vodičový kábel.
 - 3) Dlhý napájací kábel treba viesť tak, aby neprechádzal cez pracovnú dosku alebo cez linku, kde by ho mohli stiahnuť deti alebo by ste ho mohli nechtiac zachytiť.

ČISTENIE

Uistite sa, že ste spotrebič odpojili od zdroja napájania.

1. Po použití vyčistite vnútro rúry mierne navlhčenou handričkou.
2. Príslušenstvo čistite obvyklým spôsobom vo vode so saponátom.
3. Rám dvierok, tesnenie a susediace časti treba pri znečistení dôkladne očistiť vlhkou handričkou.
4. Na čistenie skla dvierok rúry nepoužívajte abrazívne čistiace prostriedky ani ostré kovové škrabky, pretože by mohli sklo poškriabať alebo rozbiť.
5. Tip na čistenie --- Čistenie vnútorných stien, ktorých sa môže dotýkať pripravované jedlo: vložte do misky polovicu citrónu, prilejte 300 ml vody a zohrievajte použitím na 100 % mikrovlnného výkonu 10 minút. Rúru očistite mäkkou, suchou handričkou.

KUCHYNSKÉ POMÔCKY

UPOZORNENIE

Nebezpečenstvo úrazu

Pre kohokoľvek iného ako kompetentnú osobu je nebezpečné vykonávať akýkoľvek servis alebo opravu, ktorá zahŕňa odstránenie krytu, ktorý poskytuje ochranu pred vystavením mikrovlnnej energii.

Pozrite si pokyny o „Materiáloch, ktoré môžete alebo nesmiete použiť v mikrovlnnej rúre“. Nie všetky nekovové pomôcky sa môžu používať v mikrovlnnej rúre bezpečne. Ak by ste mali nejaké pochybnosti, môžete príslušnú pomôcku vyskúšať nasledujúcim spôsobom.

Skúška pomôcky:

1. Do nádoby vhodnej na použitie v mikrovlnnej rúre vlejte 1 šálku studenej vody (250 ml) a vložte ju spolu s príslušnou pomôckou do mikrovlnnej rúry.
2. Zohrievajte pri maximálnom výkone 1 minútu.
3. Pomôcky sa opatrne dotknite. Ak je prázdna pomôcka teplá, nepoužívajte ju na prípravu jedla v mikrovlnnej rúre.
4. Neprekračujte čas ohrevu 1 minútu.

Materiály, ktoré môžete použiť v mikrovlnnej rúre

Kuchynské pomôcky	Poznámky
Zapekacia misa	Dodržiavajte pokyny výrobcu. Spodná časť zapekacej misy musí byť aspoň 5 mm (3/16 palca) nad otočným tanierom. Nesprávne používanie môže spôsobiť prasknutie otočného taniera.
Jedálský riad	Iba riad vhodný do mikrovlnnej rúry. Dodržiavajte pokyny výrobcu. Nepoužívajte prasknutý ani vyštrbený riad.
Sklenené poháre	Vždy odstráňte viečko. Používajte len na ohrievanie jedla na teplotu podávania. Väčšina sklenených pohárov nie je tepelne odolná a môže sa rozbiť.
Sklenený riad	Iba tepelne odolný sklenený riad vhodný do rúry. Uistite sa, že neobsahuje žiadne ozdobné kovové prvky. Nepoužívajte prasknutý ani vyštrbený riad.
Vrecká na pečenie v rúre	Dodržiavajte pokyny výrobcu. Nezatvárajte kovovou svorkou. Prepichnete, aby mohla unikať para.
Papierové taniere a poháre	Používajte len na krátkodobé varenie/ohrievanie. Počas prípravy jedla nenechávajte rúru bez dozoru.
Papierové utierky	Používajte na zakrytie jedla pri ohreve a na zachytávanie tuku. Používajte pod dohľadom a len na krátkodobé varenie.
Pergamenový papier	Použite ako kryt, aby sa zabránilo rozstrekovaniu alebo ako obal pri napaňovaní.
Plasty	Iba riad vhodný do mikrovlnnej rúry. Dodržiavajte pokyny výrobcu. Mali by byť označené ako „Vhodné do mikrovlnnej rúry“. Niektoré plastové nádoby pri zohriatí jedla vnútri zmäknú. „Vrecká na varenie“ a tesne uzavreté plastové vrecká treba upraviť tak, aby ostala voľná štrbina, treba ich prepichnetúť alebo nechať pootvorené, podľa pokynov na obale.
Plastový obal	Iba riad vhodný do mikrovlnnej rúry. Používajte na zakrytie jedla počas varenia, aby si jedlo zachovalo vlhkosť. Nedovoľte, aby sa plastový obal dotýkal potravín.
Teplomery	Iba vhodné do mikrovlnnej rúry (teplomery na mäso a sladkosti).
Voskový papier	Použite ako kryt, aby ste zabránili rozstrekovaniu a udržali vlhkosť.

Materiály, ktorým sa pri používaní mikrovlnnej rúry treba vyhnúť

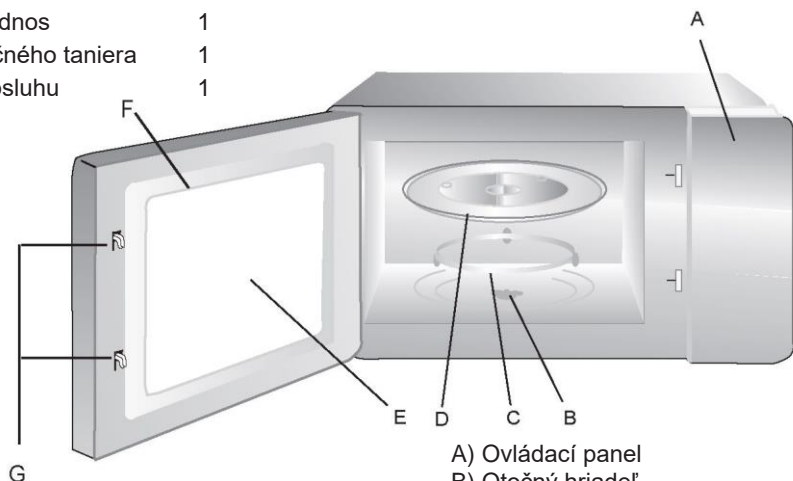
Kuchynské pomôcky	Poznámky
Hliníkový podnos	Môže spôsobiť iskrenie. Jedlo preložte do nádoby vhodnej do mikrovlnnej rúry.
Obal na potraviny s kovovou rukoväťou	Môže spôsobiť iskrenie. Jedlo preložte do nádoby vhodnej do mikrovlnnej rúry.
Kovové alebo kovom zdobené pomôcky	Kov chráni jedlo pred mikrovlnnou energiou. Kovový okraj môže spôsobiť iskrenie.
Kovové svorky	Môžu spôsobiť iskrenie a mohli by spôsobiť požiar v rúre.
Papierové vrecká	Môžu spôsobiť požiar v rúre.
Plastové špongie a polystyrén	Plastové špongie a polystyrén sa môžu pri vysokej teplote roztaviť alebo kontaminovať kvapalinu vnútri nádoby.
Drevo	Pri použití v mikrovlnnej rúre drevo vyschne a môže sa rozštiepiť alebo popraskať.

NASTAVENIE RÚRY

Názvy dielov a príslušenstva rúry

Vyberte rúru a všetok materiál zo škatule a z vnútra rúry. Rúra sa dodáva s nasledujúcim príslušenstvom:

Sklenený podnos	1
Zostava otočného taniera	1
Návod na obsluhu	1



- A) Ovládací panel
- B) Otočný hriadeľ
- C) Zostava otočného taniera
- D) Sklenený podnos
- E) Pozorovací priezor
- F) Zostava dvierok
- G) Bezpečnostný blokovací systém

Inštalácia otočného taniera

Rozbočovač (spodná strana)

Sklenený podnos

Otočný hriadeľ

Zostava otočného taniera

- a. Sklenený podnos nikdy neumiestňujte hore dnom. Pohyb skleneného podnosu sa nikdy nesmie obmedzovať.
- b. Počas varenia sa musí vždy používať sklenený podnos aj zostava otočného taniera.
- c. Všetky potraviny a nádoby s jedlom sú vždy umiestnené na sklenenom podnose na varenie.
- d. V prípade prasknutia alebo rozbitia skleneného podnosu alebo zostavy otočného taniera sa obráťte na najbližšie autorizované servisné stredisko.

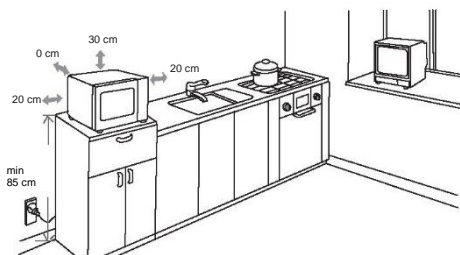
Inštalácia na pracovnú plochu

Odstráňte všetok obalový materiál a príslušenstvo. Skontrolujte rúru, či nie je poškodená, napríklad, či na nej nie sú preliačiny alebo rozbité dvierka. Ak je rúra poškodená, neinštalujte ju.

Skrinka: Odstráňte ochrannú fóliu, ktorá je na povrchu skrinky mikrovlnnej rúry. Na ochranu magnetrónu neodstraňujte svetlohnedý kryt, ktorý je pripevnený vnútri rúry.

Inštalácia

1. Vyberte rovný povrch, ktorý poskytuje dostatočný otvorený priestor pre vstupné a/alebo výstupné otvory vzduchu.



(1) Minimálna výška inštalácie je 85 cm.

(2) Zadný povrch spotrebiča treba umiestniť oproti stene. Ponechajte minimálny voľný priestor 30 cm nad rúrou a minimálne 20 cm po bokoch rúry.

(3) Zo spodku rúry neodmontujte nožičky.

(4) Zablokovanie vstupných a/alebo výstupných otvorov môže poškodiť rúru.

(5) Umiestnite rúru čo najďalej od rádia a televízora. Prevádzka mikrovlnnej rúry môže spôsobiť rušenie rádiového alebo televízneho príjmu.

2. Zapojte rúru do štandardnej zásuvky elektrickej siete. Uistite sa, že napätie a frekvencia sú rovnaké ako napätie a frekvencia na štítku spotrebiča.

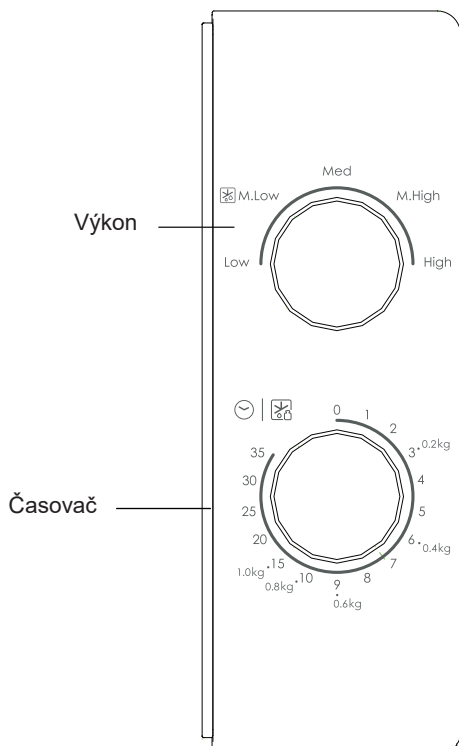
VAROVANIE: Neinštalujte rúru nad varnú dosku ani iný spotrebič produkujúci teplo. Ak by bola rúra nainštalovaná v blízkosti zdroja tepla alebo nad ním, záruka by mohla stratiť platnosť.

Prístupný povrch môže byť počas prevádzky horúci.



PREVÁDZKA

Pokyny na obsluhu ovládacieho panela a funkcií



1. Ak chcete nastaviť výkon mikrovlnného ohrevu, otočte ovládač výkonu na požadovanú úroveň.
2. Ak chcete nastaviť dobu prípravy, otočte gombík časovača podľa svojej kuchárskej príručky.
3. Mikrovlnná rúra sa po nastavení úrovne výkonu a doby zapne automaticky.
4. Po uplynutí doby prípravy jedla sa spotrebič zastaví a zaznie zvukové znamenie.
5. Ak sa spotrebič nepoužíva, vždy nastavte čas na „0“.

Funkcia/výkon	Výstup	Aplikácia
Low	119 W	Zmäknutie zmrzliny
Med. Low (rozmrazovanie)	231 W	Polievkový guláš, zmäknutie masla alebo rozmrazovanie
Med.	385 W	Dusené jedlá, ryby
Med. High	539 W	Ryža, ryby, kuracie mäso, mleté mäso
High	700 W	Ohrev jedál, mlieko, prevarenie vody, zelenina, nápoje.

Poznámka: Pri vyberaní jedla z rúry skontrolujte, či je napájanie rúry vypnuté otočením spínača časovača na 0 (nula).
V opačnom prípade prevádzka mikrovlnnej rúry bez jedla môže spôsobiť prehriatie a poškodenie magnetrónu.

Riešenie problémov

Normálne	
Mikrovlnná rúra ruší TV príjem	Pri prevádzke mikrovlnnej rúry môže byť rušený príjem rádia a televízora. Je to podobné ako rušenie malých elektrických spotrebičov, ako je mixér, vysávač a elektrický ventilátor. Je to normálne.
Stlmené svetlo rúry	Pri varení v mikrovlnnej rúre s nízkym výkonom sa svetlo rúry môže stlmiť. Je to normálne.
Para nahromadená na dvierkach, horúci vzduch z prieduchov	Pri varení môže z jedla unikať para. Väčšina sa dostane von z prieduchov. Ale určitý podiel sa môže hromadiť na chladnom mieste, ako sú dvierka rúry. Je to normálne.
Rúra sa spustila náhodne bez jedla.	Je zakázané zapínať jednotku bez akéhokoľvek jedla vnútri. Je to veľmi nebezpečné.

Problém	Možná príčina	Náprava
Rúra sa nedá zapnúť.	(1) Napájací kábel nie je pevne zapojený.	Odpojte ho. Po 10 sekundách ho znova zapojte.
	(2) Vypálená poistka alebo zasiahol istič.	Vymeňte poistku alebo zresetujte istič (opravený odborným personálom našej spoločnosti)
	(3) Problémy so zásuvkou.	Zásuvku preskúšajte zapojením iného elektrického spotrebiča.
Rúra nezohrieva.	(4) Dvierka nie sú dobre zatvorené.	Zatvorte dvierka správne.



Tento spotrebič je označený v súlade s európskou smernicou 2012/19/EÚ o odpade z elektrických a elektronických zariadení (OEEZ) z roku 2013. OEEZ obsahuje kontaminujúce látky (ktoré môžu mať negatívny vplyv na životné prostredie) a základné prvky (ktoré sa dajú opätovne použiť). Je dôležité, aby sa OEEZ likvidoval správne použitím špecifických postupov s cieľom zaistiť správne odstránenie a likvidáciu všetkých znečisťujúcich látok, ako aj obnovenie ostatných materiálov. Jednotlivci prispievajú výraznou mierou k minimalizácii vplyvov OEEZ na životné prostredie. Bezpodmienečne treba dodržiavať určité základné pravidlá:

- OEEZ sa nesmie spracúvať ako bežný domáci odpad;
- OEEZ treba odovzdavať na príslušných zberných miestach, ktoré sú riadené príslušnou samosprávnou obcou alebo registrovanými spoločnosťami.

V mnohých krajinách je k dispozícii domáci zber veľkých spotrebičov spadajúcich do kategórie OEEZ. V prípade zakúpenia nového spotrebiča môžete vrátiť starý spotrebič maloobchodnému predajcovi, ktorý musí zabezpečiť jeho bezplatný odvoz, pokiaľ ide o spotrebič rovnakého typu s rovnakými funkciami ako zakúpený spotrebič.



Mikrovalovna pečica

NAVODILA ZA UPORABO

**MODEL:CMW20SMW
CMW20SMB**

Pred uporabo mikrovalovne pečice natančno preberite ta navodila in jih skrbno shranite.

Če boste upoštevali navodila, vam bo pečica dolga leta dobro služila.

SKRIBNO SHRANITE TA NAVODILA

PREVIDNOSTNI UKREPI ZA PREPREČEVANJE MOREBITNE IZPOSTAVLJENOSTI PREKOMERNI MIKROVALOVNI ENERGIJI

(a) Pečice ne poskušajte upravljati pri odprtih vratih, saj lahko to povzroči škodljivo izpostavljenost mikrovalovni energiji. Pomembno je, da varnostni zapor ne poškodujete ali spreminjate.

(b) Med sprednjo stran pečice in vrata ne postavljajte predmetov ter ne dovolite, da bi se na tesnilnih površinah kopičili ostanki umazanije ali čistil.

(c) **OPOZORILO:** Če so vrata ali tesnila vrat poškodovana, pečice ne smete uporabljati, dokler je ne popravi pristojna oseba.

DOPOLNILO

Če aparata ne vzdržujete v čistem stanju, se lahko njegova površina poškoduje, kar lahko vpliva na življenjsko dobo aparata in povzroči nevarne situacije.

Specifikacije

Model:	CMW20SMW/CMW20SMB
Nazivna napetost:	230 V ~ 50 Hz
Nazivna vhodna moč (mikrovalovna pečica):	1050 W
Nazivna izhodna moč (mikrovalovna pečica):	700 W
Zmogljivost pečice:	20 l
Premer vrtljivega podstavka:	Ø 255 mm
Zunanje mere:	439.5*357.5*258.2mm
Neto teža:	Približno 10.2 kg

POMEMBNA VARNOSTNA NAVODILA IN OPOZORILA

Za zmanjšanje nevarnosti požara, električnega udara, poškodb oseb ali izpostavljenosti prekomerni energiji mikrovalovne pečice pri uporabi naprave upoštevajte osnovne previdnostne ukrepe, vključno z naslednjim:

1. Preberite in upoštevajte naslednje: »PREVIDNOSTNI UKREPI ZA PREPREČEVANJE MOREBITNE IZPOSTAVLJENOSTI PREKOMERNI MIKROVALOVNI ENERGIJI«.
2. To napravo lahko uporabljajo otroci, starejši od 8 let, in osebe z zmanjšanimi fizičnimi, senzoričnimi ali umskimi zmožnostmi ali s pomanjkanjem izkušenj ter znanja, če so pod ustreznim nadzorom ali so prejeli navodila za varno uporabo naprave in razumejo s tem povezana tveganja. Otroci se z napravo ne smejo igrati. Otroci ne smejo čistiti naprave in na njej ne smejo izvajati vzdrževalnih del brez ustreznega nadzora.
3. Napravo in kabel shranjujte zunaj dosega otrok, mlajših od 8 let.
4. Če je napajalni kabel poškodovan, ga mora zamenjati proizvajalec, serviser ali podobno usposobljena oseba, da se prepreči morebitne nevarnosti.
5. **OPOZORILO:** Pred zamenjavo luči se prepričajte, da je naprava izklopljena, da preprečite možnost električnega udara.
6. **OPOZORILO:** Izvajanje kakršnih koli servisnih del ali popravil, ki vključujejo odstranjevanje pokrova, ki zagotavlja zaščito pred izpostavljenostjo mikrovalovni energiji, je nevarno za vse osebe, ki niso usposobljene za to delo.

7. OPOZORILO: Tekočin ali drugih živil ne smete segrevati v zaprtih posodah, ker lahko eksplodirajo.
8. Pri segrevanju hrane v plastičnih ali papirnatih posodah bodite pozorni, saj lahko pride do vžiga.
9. Uporabljajte samo pribor, ki je primeren za uporabo v mikrovalovnih pečicah.
10. Če opazite dim, izklopite ali odklopite napravo, vrata pa naj ostanejo zaprta, da se ogenj zaduši.
11. Mikrovalovno segrevanje pijač lahko povzroči zapoznelo eruptivno vrenje, zato morate biti pri ravnanju s posodo previdni.
12. Vsebinske steklenice za hranjenje in kozarcev hrane za dojenčke je treba premešati ali pretresti ter pred uživanjem preveriti temperaturo, da preprečite opekline.
13. Jajc v lupini in celih trdo kuhanih jajc se v mikrovalovnih pečicah ne sme segrevati, saj lahko eksplodirajo tudi po koncu mikrovalovnega segrevanja.
14. Pečico je treba redno čistiti in odstranjevati morebitne ostanke hrane.
15. Če pečice ne čistite redno, lahko pride do razkrajanja površine, ki lahko negativno vpliva na življenjsko dobo naprave in lahko povzroči nevarne situacije.
16. Naprave ne smete vgraditi za dekorativna vrata, da se izognete pregrevanju. (To ne velja za naprave z dekorativnimi vrati.)
17. Uporabljajte samo temperaturno sondo, priporočeno za to pečico. (Za pečice, ki so opremljene z instrumentom za uporabo temperaturno občutljive sonde.)
18. Mikrovalovne pečice se ne sme namestiti v omarico razen, če je bila preskušena za uporabo v omarici.

19. Mikrovalovna pečica mora delovati z odprtimi dekorativnimi vrati. (Za pečice z dekorativnimi vrati.)
20. Naprava je namenjena uporabi v gospodinjstvu in za podobne namene, kot so:
 - čajne kuhinje v trgovinah, pisarnah in drugih delovnih okoljih;
 - hotelske in motelske sobe ter druge nastanitve za goste;
 - kmetije;
 - nastanitve tipa B&B.
21. Mikrovalovna pečica je namenjena segrevanju hrane in pijač. Sušenje hrane ali oblačil in segrevanje grelnih blazinic, copat, gobic, vlažnih krp ter podobnega lahko povzroči nevarnost poškodb, vžiga ali požara.
22. Med mikrovalovnim kuhanjem niso dovoljene kovinske posode za hrano in pijačo.
23. Naprave ne čistite s parnim čistilnikom.
24. Naprava je namenjena uporabi kot samostoječa naprava.
25. Hrbtno površino naprav je treba namesti ob steno.

**POZORNO PREBERITE IN SHRANITE
ZA POZNEJŠO UPORABO**

Zmanjševanje nevarnosti poškodb oseb, ki opravljajo ozemljitev

NEVARNOST

Nevarnost električnega udara Dotikanje nekaterih notranjih komponent lahko povzroči hude telesne poškodbe ali smrt. Naprave ne razstavljajte.

OPOZORILO

Nevarnost električnega udara Nepravilna ozemljitev lahko povzroči električni udar. Naprave ne vtikajte v vtičnico, dokler ni pravilno nameščena in ozemljena.

Naprava mora biti ozemljena. V primeru električnega kratkega stika ozemljitev zmanjša tveganje električnega udara, saj zagotovi izhodno žico za električni tok. Ta naprava je opremljena s kablom, ki ima ozemljitveno žico z ozemljitvenim priključkom. Vtič mora biti priključen v vtičnico, ki je pravilno nameščena in ozemljena. Če navodil za ozemljitev ne razumete popolnoma ali

dvomite glede pravilne ozemljitve naprave, se posvetujte z usposobljenim električarjem ali serviserjem. Če morate uporabiti podaljšek, uporabite samo 3-žični podaljšek.

1. Priložen je kratek napajalni kabel, da se zmanjša tveganje, ki izhaja iz zapletanja v daljši kabel ali spotikanja.
2. Če uporabljate dolg kabel ali podaljšek:
 - 1) Označena električna napetost kabla ali podaljška mora biti vsaj tako visoka kot električna napetost naprave.
 - 2) Podaljšek mora biti 3-žični kabel z ozemljitvijo.
 - 3) Dolg kabel mora biti nameščen tako, da ne visi čez pult ali mizo, kjer ga lahko otroci povlečejo oziroma se je mogoče čez njega nenamerno spotakniti.

ČIŠČENJE

Napravo odklopite z napajanja.

1. Po uporabi prostor za peko očistite z rahlo vlažno krpo.
2. Dodatke kot običajno očistite z milnico.
3. Ko so okvir vrat, tesnilo in sosednji deli umazani, jih je treba skrbno očistiti z vlažno krpo.
4. Za čiščenje stekla na vratih pečice ne uporabljajte grobih abrazivnih čistil ali ostrih kovinskih strgal, saj lahko opraskajo površino, zaradi česar se lahko steklo razbije.
5. Nasvet za čiščenje – za lažje čiščenje sten prostora za peko, ki se jih lahko kuhana hrana dotakne: Polovico limone položite v skledo, dolijte 300 ml (1/2 vrčka) vode in 10 minut segrevajte na 100 % mikrovalovne energije. Pečico obrišite z mehko, suho krpo.

PRIPOMOČKI

POZOR

Nevarnost telesnih poškodb

Izvajanje kakršnih koli servisnih del ali popravil, ki vključujejo odstranjevanje pokrova, ki zagotavlja zaščito pred izpostavljenostjo mikrovalovni energiji, je nevarno za vse osebe, ki niso usposobljene za to delo.

Glejte navodila v razdelkih »Materiali, ki jih lahko uporabljate v mikrovalovni pečici« in »Materiali, ki se jih je treba izogibati pri uporabi mikrovalovne pečice«. Nekateri nekovinski pripomočki niso varni za uporabo v mikrovalovih pečicah. Če ste v dvomih, lahko zadevni pripomoček preskusite na spodaj opisan način.

Preskus pripomočkov:

1. Napolnite posodo, ki je varna za uporabo v mikrovalovni pečici, z 1 skodelico hladne vode (250 ml) in vanjo položite pripomoček.
2. Kuhajte 1 minuto pri največji moči.
3. Previdno se dotaknite pripomočka. Če je prazen pripomoček topel, ga ne uporabljajte za mikrovalovno kuhanje.
4. Ne prekoračite časa kuhanja 1 minute.

Materiali, ki jih lahko uporabljate v mikrovalovni pečici

Pripomočki	Opombe
Posoda za peko do rjave barve	Upoštevajte navodila proizvajalca. Dno posode za peko do rjave barve mora biti najmanj 3/16 inča (5 mm) nad vrtljivim podstavkom. Nepravilna uporaba lahko povzroči, da se vrtljivi podstavek zlomi.
Namizna posoda	Samo varna za uporabo v mikrovalovni pečici. Upoštevajte navodila proizvajalca. Ne uporabljajte razpokane ali okrušene posode.
Stekleni kozarci	Vedno odstranite pokrov. Uporabljajte samo za segrevanje hrane, dokler ni samo topla. Večina steklenih kozarcev ni odpornih na toploto in se lahko razbijejo.
Steklena posoda	Samo toplotno odporna steklena posoda. Prepričajte se, da posoda nima kovinske obloge. Ne uporabljajte razpokane ali okrušene posode.
Vrečke za kuhanje v pečici	Upoštevajte navodila proizvajalca. Ne zapirajte s kovinsko vezico. Naredite reže, da lahko para uhaja.
Papirnati krožniki in lončki	Uporabljajte samo za kratkotrajno kuhanje/segrevanje. Med kuhanjem ne puščajte pečice brez nadzora.
Papirnate brisače	Uporabite za pokrivanje hrane pri ponovnem segrevanju in absorpcijo maščobe. Uporabljajte samo pri kratkotrajnem kuhanju pod nadzorom.
Pergamentni papir	Uporabite kot pokrov za preprečevanje škropljenja ali kot ovoj pri parjenju.
Plastika	Samo varna za uporabo v mikrovalovni pečici. Upoštevajte navodila proizvajalca. Imeti mora oznako »Varno za uporabo v mikrovalovni pečici«. Nekatere plastične posode se zmečajo, ko se hrana v notranjosti segreje. »Vrečke za vretje« in tesno zaprte plastične vrečke je treba prerezati, preluknjati ali prezračevati, kot je opisano na njihovi embalaži.
Plastičen ovoj	Samo varen za uporabo v mikrovalovni pečici. Uporabljajte za pokrivanje hrane med kuhanjem, da ohranite vlago. Plastičen ovoj se ne sme dotikati hrane.
Termometri	Samo varni za uporabo v mikrovalovni pečici (termometri za meso in sladkor).
Peki papir	Uporabite kot pokrov za preprečevanje škropljenja in ohranjanje vlage.

Materiali, ki se jih je treba izogibati pri uporabi mikrovalovne pečice

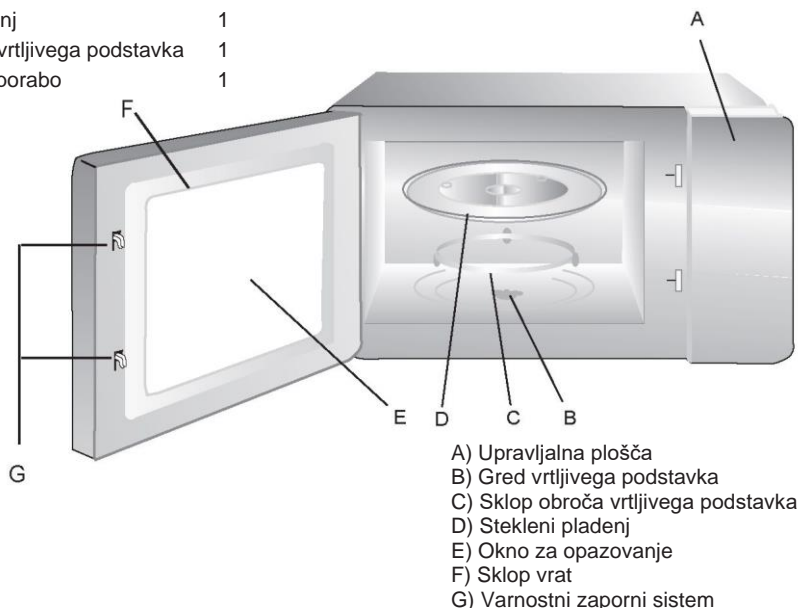
Pripomočki	Opombe
Aluminijast pladenj	Lahko povzroči iskenje. Hrano prestavite v posodo, varno za uporabo v mikrovalovni pečici.
Kartonska embalaža za hrano s kovinskim ročajem	Lahko povzroči iskenje. Hrano prestavite v posodo, varno za uporabo v mikrovalovni pečici.
Kovinski pripomočki ali pripomočki s kovinsko oblogo	Kovina ščiti hrano pred mikrovalovno energijo. Kovinska obloga lahko povzroči iskenje.
Kovinske vezice	Lahko povzročijo iskenje in s tem požar v pečici.
Papirnate vrečke	Lahko povzročijo požar v pečici.
Plastična pena	Plastična pena se lahko stopi ali kontaminira tekočino, ki je v njej, ko je izpostavljena visoki temperaturi.
Les	Les se pri uporabi v mikrovalovni pečici posuši in se lahko razcepi ali razpoka.

POSTAVITEV PEČICE

Imena delov pečice in dodatkov

Pečico in vse materiale vzemite iz škatle in izpraznite prostor za peko. Pečica je opremljena z naslednjimi dodatki:

Stekleni pladenj	1
Sklop obroča vrtljivega podstavka	1
Navodila za uporabo	1



Namestitev vrtljivega podstavka



- Steklenega pladnja nikoli ne nameščajte z zgornjo stranjo navzdol. Stekljeni pladenj ne sme biti nikoli omejen.
- Med kuhanjem je treba vedno uporabljati stekleni pladenj in sklop obroča vrtljivega podstavka.
- Vso hrano in posode za hrano je treba pri kuhanju vedno postaviti na stekleni pladenj.
- Če stekleni pladenj ali sklop obroča vrtljivega podstavka počí ali se zlomi, se obrnite na najbližji pooblaščen servisni center.

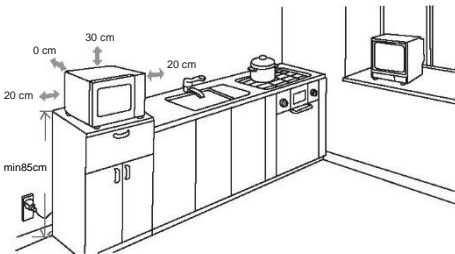
Namestitev na pult

Odstranite ves embalažni material in dodatke. Preverite, ali so na pečici morda prisotne poškodbe, kot so vdolbine ali razbita vrata. Če je pečica poškodovana, je ne nameščajte.

Omarica: odstranite zaščitno folijo s površine omarice mikrovalovne pečice. Ne odstranjujte svetlo rjavega pokrova iz sljude, ki je pritrjen na prostor za peko za zaščito magnetrona.

Namestitev

1. Izberite ravno površino, ki zagotavlja dovolj odprtega prostora za dovodne in/ali odvodne odprtine.



- (1) Najmanjša višina za namestitev je 85 cm.
- (2) Hrbtno površino naprave je treba namesti ob steno. Nad pečico pustite najmanj 30 cm razmika, med pečico in sosednjimi stenami pa je potreben najmanjši razmik 20 cm.
- (3) Ne odstranjujte nogic z dna pečice.
- (4) Blokiranje dovodnih in/ali odvodnih odprtin lahko poškoduje pečico.
- (5) Pečico postavite čim dlje od radia in televizije.

Delovanje mikrovalovne pečice lahko povzroči motnje na radijskem ali televizijskem sprejemniku.

2. Pečico priključite v standardno vtičnico za gospodinjstvo. Prepričajte se, da sta napetost in frekvenca enaki kot napetost in frekvenca na nalepki z nazivnimi vrednostmi.

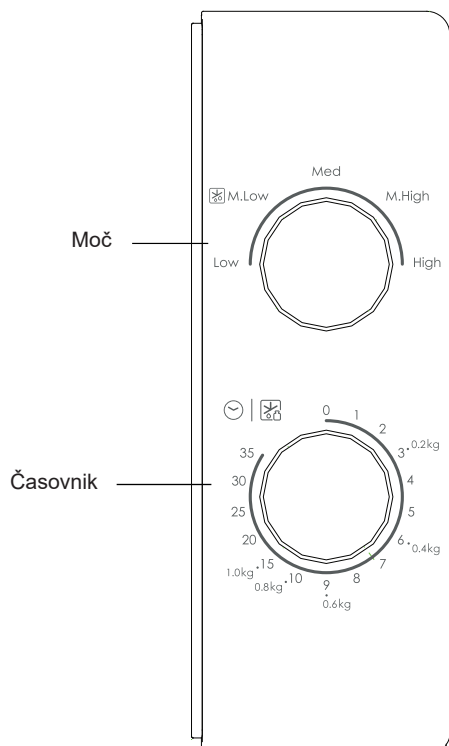
OPOZORILO: Pečice ne nameščajte nad kuhalno ploščo ali drugo napravo, ki proizvaja toploto. Če je pečica nameščena blizu vira toplote ali nad njim, se lahko poškoduje in garancija preneha veljati.

Dostopna površina je lahko med delovanjem vroča.



DELOVANJE

Navodila za uporabo upravljalne plošče in funkcij



Moč kuhanja nastavite tako, da gumb za moč zavrtite na želeno stopnjo.

Čas kuhanja nastavite tako, da gumb za časovnik zavrtite na želeni čas, kot je opisano v vašem vodniku za kuhanje. Mikrovalovna pečica samodejno začne kuhati, ko sta stopnja moči in čas nastavljeni.

Po izteku časa kuhanja se enota oglasi in ustavi.

Če enote ne uporabljate, vedno nastavite čas na »0«.

Funkcija/moč	Izhod	Uporaba
Low	119 W	Mehčanje sladoleda
Med. Low (odmrzovanje)	231 W	Počasno kuhanje juh, mehčanje masla ali odmrzovanje
Med.	385 W	Enolončnica, riba
Med. High	539 W	Riž, ribe, piščanec, mleto meso
High	700 W	Ponovno segrevanje, mleko, vretje vode, zelenjava, pijača

Pazite: Pri odstranjevanju hrane iz pečice se prepričajte, da je napajanje pečice izklopljeno tako, da stikalo časovnika zavrtite na 0 (nič).

Če tega ne storite in mikrovalovna pečica deluje brez hrane, lahko pride do pregrevanja in poškodbe magnetrona.

Odpravljanje težav

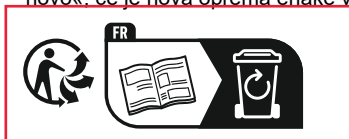
Običajno	
Mikrovalovna pečica moti televizijski sprejem	Ko mikrovalovna pečica deluje, lahko pride do motenj pri radijskem in televizijskem sprejemu. Motnja je podobna motnjam malih električnih naprav, kot so mešalnik, sesalnik in električni ventilator. To je običajno.
Zatemnjena luč pečice	Pri mikrovalovnem kuhanju z nizko močjo lahko luč v pečici postane medla. To je običajno.
Kopičenje pare na vratih, vroč zrak iz zračnikov	Pri kuhanju lahko iz hrane prihaja para. Večina pare se izloči prek zračnikov. Nekaj pare pa se lahko nakopiči na hladnih mestih, kot so vrata pečice. To je običajno.
Pečica se je nehote vklopila, v njej pa ni hrane.	Enota ne sme delovati brez hrane v njej. To je zelo nevarno.

Težava	Možen vzrok	Rešitev
Pečice ni mogoče zagnati.	(1) Napajalni kabel ni čvrsto priključen.	Izvlcite vtič. Nato ga po 10 sekundah ponovno priključite.
	(2) Varovalka je pregorela ali se je sprožil prekinjevalec električnega tokokroga.	Zamenjajte varovalko ali ponastavite prekinjevalec električnega tokokroga (popravilo opravi strokovno osebje našega podjetja)
	(3) Težave z vtičnico.	Preskusite vtičnico z drugimi električnimi napravami.
Pečica se ne segreva.	(4) Vrata niso dobro zaprta.	Dobro zaprite vrata.



Ta naprava je označena v skladu z evropsko direktivo 2012/19/EU o odpadni električni in elektronski opremi iz leta 2013 (OEEO). OEEO vsebuje onesnaževalne snovi (ki lahko negativno vplivajo na okolje) in osnovne elemente (ki jih je mogoče ponovno uporabiti). Pomembno je, da je OEEO obdelana s posebnimi postopki za pravilno odstranjevanje in odlaganje onesnaževal ter predelavo vseh materialov. Kot posamezniki lahko pomembno vplivamo na to, da OEEO ne postane okoljska težava; upoštevati moramo zgolj nekaj osnovnih pravil:

- z OEEO ne smete ravnati kot z gospodinjskimi odpadki;
- OEEO je treba odpeljati v posebne zbirne centre, ki jih upravlja mestni svet ali registrirano podjetje. V več državah imajo urejen prevzem kosovnih odpadkov iz gospodinjstev. Ob nakupu nove naprave lahko staro oddate prodajalcu, ki ga je dolžan brezplačno prevzeti po načelu »staro za novo«, če je nova oprema enake vrste in ima enake funkcije kot stara.



Mikrowellenofen

BEDIENUNGSHANDBUCH

MODELL:CMW20SMW
CMW20SMB

Lesen Sie diese Anleitungen aufmerksam vor der Verwendung Ihres Mikrowellenofens und bewahren Sie sie sorgfältig auf.

Wenn Sie diese Anleitungen befolgen, wird Ihnen Ihr Ofen viele Jahre gute Dienste leisten.

**BEWAHREN SIE DIESE ANLEITUNGEN
SORGFÄLTIG AUF**

VORSICHTSMASSNAHMEN, UM EINE ZU HOHE MIKROWELLENBELASTUNG ZU VERHINDERN

(a) Versuchen Sie nicht, diesen Ofen mit offener Tür zu betreiben, weil ein Betrieb bei offener Tür zu schädlicher Belastung durch Mikrowellen führen kann. Manipulieren Sie keinesfalls die Sicherheitsverriegelungen oder entfernen Sie sie.

(b) Stellen Sie keinen Gegenstand zwischen die Vorderseite des Ofens und die Tür und verhindern Sie, dass sich Schmutz oder Reinigungsmittelreste auf den Dichtungsflächen ansammeln.

(c) **WARNUNG:** Falls die Tür oder die Türdichtungen beschädigt sein sollte, darf der Ofen erst wieder in Betrieb genommen werden, nachdem er durch eine qualifizierte Person repariert worden ist.

NACHTRAG

Wenn dieses Produkt nicht stets in einem sauberen Zustand sein sollte, wird die Oberfläche ggf. in Mitleidenschaft gezogen, die Lebensdauer des Produktes verringert sich und zudem können Gefahrensituationen herbeigeführt werden.

Technische Daten

Modell:	CMW20SMW / CMW20SMB
Nennspannung:	230 V~ 50 Hz
Nenningangsleistung (Mikrowelle):	1050 W
Nennausgangsleistung (Mikrowelle):	700 W
Fassungsvermögen des Ofens:	20 L
Durchmesser Drehteller:	Ø 255 mm
Außenabmessungen:	439.5*357.5*258.2mm
Nettogewicht:	Ca. 10.2kg

WICHTIGE SICHERHEITS- UND WARNHINWEISE

Zum Schutz vor Feuer, elektrischem Schlag, Verletzungen und Bestrahlung mit starker Mikrowellenenergie während der Verwendung des Produktes beachten Sie bitte die folgenden grundsätzlichen Hinweise, einschließlich:

1. Lesen und beachten Sie die folgenden Hinweise:
„VORSICHTSMASSNAHMEN, UM EINE ZU HOHE MIKROWELLENBELASTUNG ZU VERHINDERN.“
2. Dieses Gerät kann von Kindern ab 8 Jahren und Personen mit eingeschränkten körperlichen, sensorischen oder geistigen Fähigkeiten oder mangelnder Erfahrung und mangelndem Wissen benutzt werden, wenn diese in die sichere Bedienung des Geräts eingewiesen wurden oder beaufsichtigt werden und die damit verbundenen Gefahren verstanden haben. Kinder dürfen nicht mit dem Gerät spielen. Reinigung und Pflege darf nicht von Kindern ohne Aufsicht erfolgen.
3. Bewahren Sie das Gerät und dessen Kabel außerhalb der Reichweite von Kindern unter 8 Jahren auf.
4. Wenn das Stromkabel beschädigt ist, muss es vom Hersteller oder von seinem Service-Mitarbeiter, oder einer gleichwertig qualifizierten Person ausgetauscht werden, um jegliches Risiko zu vermeiden.
5. **WARNUNG:** Vor dem Austauschen der Glühbirne prüfen, ob das Gerät ausgeschaltet ist, um die Gefahr von Stromschlägen zu vermeiden.
6. **WARNUNG:** Für jede nicht geschulte Person ist es gefährlich, Kundendienst- oder Reparaturarbeiten durchzuführen, bei denen Abdeckungen entfernt werden müssen, die vor der Mikrowellenbelastung schützen.

7. **WARNUNG:** Flüssigkeiten oder andere Lebensmittel dürfen nicht in luftdicht verschlossenen Behältern erhitzt werden, weil sie explodieren können.
8. Behalten Sie den Ofen wegen der Entzündungsgefahr im Auge, wenn Sie Lebensmittel in Kunststoff- oder Papierbehältern aufwärmen.
9. Verwenden Sie ausschließlich für Mikrowellenöfen geeignete Utensilien.
10. Wenn Sie Rauch feststellen, schalten Sie das Gerät aus oder ziehen Sie den Netzstecker und lassen Sie die Ofentür geschlossen, um Flammen zu ersticken.
11. Die Erwärmung von Getränken durch Mikrowellen kann zu verzögertem eruptivem Kochen führen, daher ist der Behälter mit Sorgfalt zu behandeln.
12. Der Inhalt von Säuglingsfläschchen und Babygläschen sollte gerührt oder geschüttelt werden und die Temperatur sollte vor dem Verzehr kontrolliert werden, um Verbrennungen zu vermeiden.
13. Eier in ihrer Schale und hartgekochte Eier sollten nicht in Mikrowellenöfen erhitzt werden, weil sie auch dann noch explodieren können, wenn die Mikrowellenerhitzung beendet wurde.
14. Der Ofen sollte regelmäßig gereinigt und sämtliche Lebensmittelreste entfernt werden.
15. Wird der Ofen nicht in einem sauberen Zustand gehalten, kann dies zur Verschlechterung der Oberfläche führen, was sich wiederum nachteilig auf die Lebensdauer des Geräts auswirken und möglicherweise zu einer gefährlichen Situation führen könnte.
16. Das Gerät nicht hinter einer Dekortüre einbauen, um Überhitzen zu vermeiden. (Dies gilt nicht für Geräte mit bereits vorhandener Dekortüre.)

17. Verwenden Sie ausschließlich die für diesen Ofen empfohlene Temperatursonde (bei Öfen, die mit einem Temperaturfühler ausgestattet sind).
18. Der Mikrowellenherd darf nur dann in einem Schrank aufgestellt werden, wenn er in einem Schrank getestet wurde.
19. Die Mikrowellenofen muss mit geöffneter Dekortür betrieben werden (Öfen mit Dekortür).
20. Dieses Gerät ist ausschließlich für den Hausgebrauch und vergleichbare Verwendung bestimmt, wie:
 - Personalküchen in Geschäften, Büros und anderen Arbeitsumgebungen,
 - für die Nutzung durch Gäste in Hotels, Pensionen und ähnlichen Unterkünften,
 - landwirtschaftliche Betriebe,
 - Bed & Breakfast (B&B)-Unterkünfte.
21. Der Mikrowellenherd ist für die Erwärmung von Speisen und Getränken vorgesehen. Das Trocknen von Lebensmitteln oder Kleidung sowie das Erwärmen von Wärmekissen, Hausschuhen, Schwämmen, feuchten Tüchern und Ähnlichem kann zu Verletzungs-, Entzündungs- oder Brandgefahr führen.
22. Metallische Behälter für Speisen und Getränke sind beim Garen in der Mikrowelle nicht erlaubt.
23. Das Gerät darf nicht mit einem Dampfreiniger gereinigt werden.
24. Das Gerät ist für den freistehenden Betrieb vorgesehen.
25. Die Rückwand des Geräts sollte an einer Wand stehen.

**BITTE SORGFÄLTIG LESEN UND ZUM
NACHSCHLAGEN AUFBEWAHREN**

Reduzierung von Verletzungsrisiko – Erdung der Installation

GEFAHR

Stromschlaggefahr: Bei Berührung der Einbauteile besteht die Gefahr von schweren Verletzungen und Lebensgefahr. Demontieren Sie dieses Gerät nicht.

WARNUNG

Stromschlaggefahr: Eine nicht fachgerechte Erdung kann das Risiko von elektrischen Schlägen mit sich bringen. Verbinden Sie das Gerät niemals mit einer Steckdose, die nicht ordnungsgemäß installiert wurde und geerdet ist.

Dieses Gerät muss geerdet sein. Im Falle eines Kurzschlusses reduziert die Erdung das Risiko eines Stromschlags, indem ein Fluchtdraht für den elektrischen Strom bereitgestellt wird. Dieser Ofen ist mit einem Stromkabel ausgestattet, das eine Erdungsleitung und einen Erdungsstift aufweist. Der Stecker muss in eine Wandsteckdose gesteckt werden, die ordnungsgemäß

installiert wurde und geerdet ist. Wenden Sie sich im Zweifel hinsichtlich der ordnungsgemäßen Erdung des Gerätes an einen Fachelektriker oder an einen Experten. Verwenden Sie ggf. ausschließlich ein dreiadriges Verlängerungskabel.

1. Das beiliegende kurze Netzkabel verhindert Risiken infolge von Verheddern in oder Stolpern über ein längeres Kabel.

2. Wenn ein langes Kabel oder ein Verlängerungskabel verwendet wird:

1) Die elektrische Leistung des Kabels oder Verlängerungskabels muss zumindest der elektrischen Leistung des Gerätes entsprechen.

2) Das Verlängerungskabel muss ein geerdetes dreiadriges Kabel sein.

3) Das lange Kabel muss so verlegt werden, dass es nicht über die Tisch- oder Tresenkante herabhängt, so dass Kinder daran ziehen oder Personen darüber stolpern könnten.

REINIGUNG

Trennen Sie das Gerät vom Stromnetz.

1. Reinigen Sie den Garraum des Ofens mit einem leicht angefeuchteten Tuch.
2. Reinigen Sie das Zubehör ganz normal mit Seifenwasser.
3. Der Türrahmen, die Dichtung und die angrenzenden Teile müssen sorgfältig mit einem feuchten Tuch gereinigt werden, wenn sie verschmutzt sind.
4. Für die Reinigung der Glasbestandteile der Ofentür keine Scheuermaterialien oder scharfkantigen Metallschaber verwenden, da diese die Oberfläche zerkratzen und das Glas zerspringen kann.
5. Tipp für die Reinigung – Einfaches Entfernen von Lebensmittelrückständen von Garraumwänden: Legen Sie eine halbe Zitrone in eine Schale, geben Sie 300 ml Wasser dazu und erwärmen Sie es bei voller Mikrowellenleistung (100 %) 10 Minuten lang. Wischen Sie den Ofen mit einem weichen, trockenen Tuch sauber.

UTENSILIEN

VORSICHT

Verletzungsgefahr

Für jede nicht geschulte Person ist es gefährlich, Kundendienst- oder Reparaturarbeiten durchzuführen, bei denen Abdeckungen entfernt werden müssen, die vor der Mikrowellenbelastung schützen.

Weiterführende Informationen finden Sie unter „Materialien, die Sie in einem Mikrowellenofen verwenden bzw. nicht verwenden können“. Die Verwendung bestimmter nicht metallischer Gegenstände ist für Mikrowellenöfen ggf. nicht geeignet. Im Zweifel können Sie solche Gegenstände dem folgenden Test unterziehen.

Test von Utensilien:

1. Füllen Sie einen mikrowelleneigneten Behälter mit einer Tasse kaltem Wasser (250 ml) und legen Sie den entsprechenden Gegenstand dazu.
2. Kochen Sie das Wasser bei maximaler Leistung während einer (1) Minute.
3. Berühren Sie den Gegenstand vorsichtig. Wenn der leere Gegenstand warm ist, verwenden Sie ihn nicht in der Mikrowelle.
4. Überschreiten Sie die Kochdauer von einer (1) Minute nicht.

Materialien, die Sie in einem Mikrowellenofen verwenden können

Utensilien	Anmerkungen
Bratgeschirr	Beachten Sie die Herstellerangaben. Der Boden des Bratgeschirrs muss mindestens 5 mm vom Drehteller entfernt sein. Bei fehlerhafter Anwendung kann der Drehteller beschädigt werden.
Essgeschirr	Nur mikrowellengeeignet. Beachten Sie die Herstellerangaben. Verwenden Sie kein gerissenes oder angeschlagenes Geschirr.
Glasbehälter	Immer den Deckel abnehmen. Nur für das Erwärmen von Lebensmittel verwenden. Die meisten Glasbehälter sind nicht hitzebeständig und können zerspringen.
Glasgeschirr	Nur hitzebeständiges Glasgeschirr verwenden. Es darf keinen Metallrand haben. Verwenden Sie kein gerissenes oder angeschlagenes Geschirr.
Mikrowellenbeutel	Beachten Sie die Herstellerangaben. Nicht mit einem Metallband verschließen. Machen Sie Schlitze, damit der Dampf entweichen kann.
Pappteller und -becher	Nur für kurzfristiges Garen/Erwärmen verwenden. Während des Garvorgangs nicht unbeaufsichtigt lassen.
Papiertücher	Abdecken während des Aufwärmens von Lebensmitteln und für das Aufsaugen von Fett. Nur für kurzfristiges Garen unter Aufsicht.
Pergamentpapier	Als Abdeckung verwenden, um Spritzer zu vermeiden bzw. Einwickeln zum Dämpfen.
Kunststoff	Nur mikrowellengeeignet. Beachten Sie die Herstellerangaben. Mit der Kennzeichnung „mikrowellengeeignet“. Einige Kunststoffbehälter werden weich, während die Lebensmittel darin erwärmt werden. „Kochbeutel“ und andere fest verschlossene Plastikbeutel sollten mit Schlitzen versehen, durchstochen oder gemäß den Packungsangaben luftdurchlässig gemacht werden.
Frischhaltefolie	Nur mikrowellengeeignet. Abdecken während des Aufwärmens von Lebensmittels, um die Feuchtigkeit zu bewahren. Die Frischhaltefolie darf das Lebensmittel nicht berühren.
Thermometer	Nur mikrowellengeeignet (Fleisch- und Zuckerthermometer)
Wachspapier	Als Abdeckung verwenden, um Spritzer zu vermeiden und um die Feuchtigkeit zu bewahren.

Materialien, die nicht in die Mikrowelle dürfen

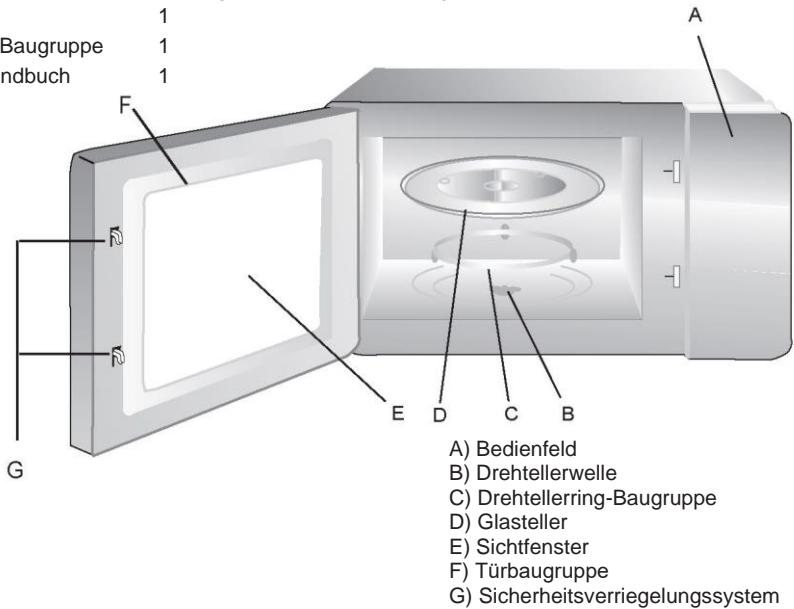
Utensilien	Anmerkungen
Aluminiumschale	Kann sich wölben. Lebensmittel in mikrowellengeeignetes Geschirr geben.
Lebensmittelkarton mit Metallgriff	Kann sich wölben. Lebensmittel in mikrowellengeeignetes Geschirr geben.
Utensilien aus Metall oder mit Metallrand.	Metall schirmt Lebensmittel vor der Mikrowellenenergie ab. Metallrahmen kann sich wölben.
Metallverschlüsse	Können wölben und Feuer im Ofen verursachen.
Papierbeutel	Können Feuer im Ofen verursachen.
Schaumstoff	Schaumstoff kann schmelzen oder die darin befindlichen Lebensmittel bei zu hoher Hitze kontaminieren.
Holz	Holz trocknet im Mikrowellenofen aus und es kann splintern oder reißen.

EINRICHTUNG IHRES OFENS

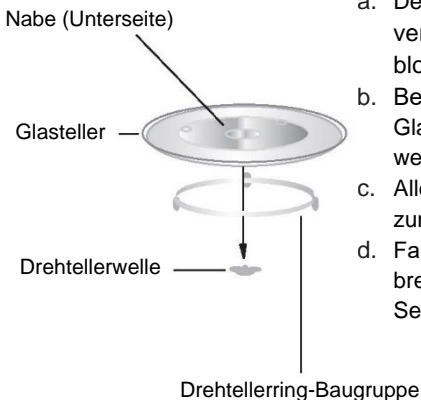
Bezeichnung von Ofenteilen und Zubehör

Nehmen Sie den Ofen und das gesamte Material aus dem Karton und aus dem Garraum. Ihr Ofen ist mit dem folgenden Zubehör ausgestattet:

Glasteller	1
Drehtellerring-Baugruppe	1
Bedienungshandbuch	1



Drehteller-Montage



- Den Drehteller aus Glas niemals umgekehrt verwenden. Drehteller aus Glas darf niemals blockiert werden.
- Bei jedem Garvorgang müssen immer sowohl der Glasteller, als auch der Drehtellerring verwendet werden.
- Alle Lebensmittel und Lebensmittelbehälter müssen zum Garen immer auf den Glasteller gestellt werden.
- Falls der Glasteller oder der Drehtellerring reißen oder brechen sollte, wenden Sie sich an ein autorisiertes Servicecenter.

Einbau auf der Arbeitsplatte

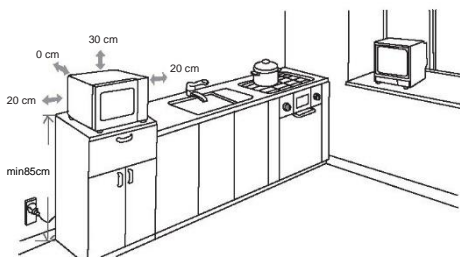
Entfernen Sie sämtliches Verpackungsmaterial und Zubehör. Untersuchen Sie den Ofen auf Schäden wie Beulen oder eine zerbrochene Tür. Nicht einbauen, wenn der Ofen beschädigt ist.

Schrank: Entfernen Sie alle Schutzfolien, die sich auf der Oberfläche des Mikrowellengehäuses befinden.

Entfernen Sie nicht die hellbraune Glimmerabdeckung, die zum Schutz des Magnetrons an der Ofenkammer angebracht ist.

Installation

1. Wählen Sie eine ebene Fläche, die genügend Freiraum für die Ansaug- und/oder Auslassöffnungen bietet.



- (1) Die Mindestmontagehöhe beträgt 85 cm.
- (2) Die Rückwand des Geräts sollte an einer Wand stehen. Lassen Sie einen Mindestabstand von 30 cm über dem Ofen und einen Mindestabstand von 20 cm zwischen dem Ofen und den angrenzenden Wänden.
- (3) Stellfüße nicht vom Boden des Geräts abnehmen.
- (4) Das Blockieren der Ansaug- und/oder Auslassöffnungen kann den Ofen beschädigen.

(5) Stellen Sie den Ofen so weit wie möglich von Radios und Fernsehgeräten entfernt auf. Der Betrieb des Mikrowellenofens kann zu Störungen des Radio- oder Fernsehempfangs führen.

2. Schließen Sie den Ofen an eine normale Haushaltssteckdose an. Vergewissern Sie sich, dass die Spannung und die Frequenz mit der Spannung und der Frequenz auf dem Typenschild übereinstimmen.

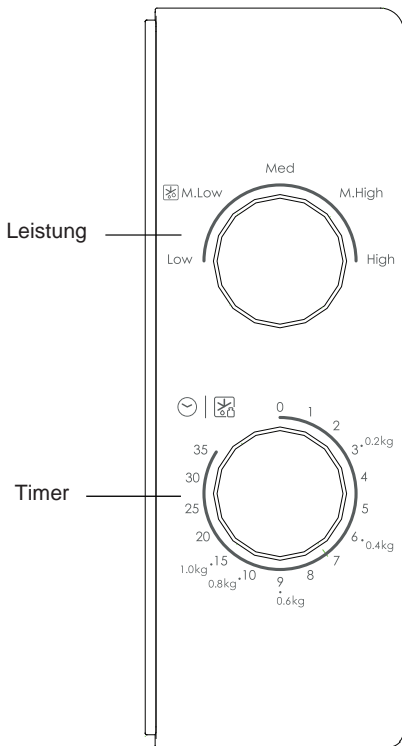
WARNUNG: Stellen Sie die Mikrowelle nicht über einem Herd oder einem anderen Wärme erzeugenden Gerät auf. Wenn der Ofen in der Nähe oder über einer Wärmequelle installiert wird, kann er beschädigt werden und die Garantie erlischt.

**Die
Zugangsfläche
kann bei
Betrieb heiß
werden.**



BETRIEB

Bedienfeld und Funktionen Betriebsanleitung



1. Zum Einstellen der Kochleistung drehen Sie den Leistungsregler auf die gewünschte Stufe.
2. Stellen Sie die Garzeit ein, indem Sie den Timer-Knopf auf die gewünschte Zeit gemäß der Anleitung für das Garen von Speisen drehen.
3. Der Mikrowellenherd beginnt automatisch mit dem Garvorgang, nachdem Leistungsstufe und Zeit eingestellt wurden.
4. Nach Ablauf der Garzeit stoppt das Gerät mit einem „Gong“.
5. Wenn das Gerät nicht benutzt wird, stellen Sie die Zeit immer auf „0“.


Funktion/Leistung	Ausgang	Vorgang
Low	119W	Eiscreme weich machen
Med. Low (Abtauen)	231W	Suppeneintopf, Butter erweichen oder auftauen
Med.	385W	Eintopf, Fisch
Med. High	539W	Reis, Fisch, Huhn, Hackfleisch
High	700W	Aufwärmen, Milch, Wasser kochen, Gemüse, Getränk

Hinweis: Wenn Sie Speisen aus dem Ofen nehmen, vergewissern Sie sich, dass er ausgeschaltet ist, indem Sie den Timerschalter auf 0 (Null) stellen. Wird dies nicht beachtet und der Mikrowellenherd ohne Lebensmittel betrieben, kann es zu einer Überhitzung und Beschädigung des Magnetrons kommen.

Fehlersuche

Normal	
Mikrowelle - Störung des Fernsehempfangs	Während des Betriebs der Mikrowelle kann der Radio- und Fernsehempfang gestört sein. Diese Störungen sind mit jenen vergleichbar, die durch Elektrokleingeräte verursacht werden, wie Mixer, Staubsauger und elektrischem Föhn. Das ist normal.
Ofenlicht schwach.	Beim Garen mit der Mikrowelle wird das Ofenlicht eventuell dunkler. Das ist normal.
Dampfansammlung an der Tür, heiße Luft kommt aus den Lüftungsöffnungen.	Während des Garens kann Dampf aus Lebensmitteln austreten. Der meiste Dampf tritt aus den Lüftungsöffnungen aus. Er kann sich jedoch auf kühlen Flächen bilden, beispielsweise auf der Tür des Garers. Das ist normal.
Ofen ohne Lebensmittel im Garraum eingeschaltet.	Es ist untersagt, den Ofen ohne Lebensmittel im Garraum einzuschalten. Das ist sehr gefährlich.

Problem	Mögliche Ursache	Abhilfe
Der Ofen lässt sich nicht einschalten.	(1) Stromstecker nicht richtig eingesteckt.	Ausstecken. Nach 10 Sekunden wieder einstecken.
	(2) Sicherung durchgebrannt oder Trennschalter ausgelöst.	Sicherung austauschen oder Trennschalter zurücksetzen (Reparatur durch einen Techniker unseres Unternehmens).
	(3) Problem mit der Steckdose.	Steckdose mit anderen elektrischen Geräten prüfen.
Ofen heizt nicht.	(4) Tür nicht richtig geschlossen.	Tür richtig schließen.

 Dieses Elektrohaushaltsgerät ist in Einklang mit der EU-Richtlinie 2012/19/EU über Elektro- und Elektronik-Altgeräte (WEEE, Waste Electrical and Electronic Equipment 2013) gekennzeichnet. Elektro- und Elektronik-Altgeräte enthalten umweltschädigende Substanzen (die ggf. eine negative Auswirkung auf die Umwelt haben) sowie (wiederverwendbare) Grundelemente. Daher ist es wichtig, Elektro- und Elektronik-Altgeräte spezifisch zu entsorgen, um alle schädlichen Substanzen zu entfernen und wiederverwendbare Teile zu recyceln. Verbraucher leisten einen wichtigen Beitrag, um zu gewährleisten, dass Elektro- und Elektronik-Altgeräte nicht zu einem Umweltproblem werden. Halten Sie sich daher bitte an die folgenden Grundregeln:

- Elektro- und Elektronik-Altgeräte dürfen nicht mit dem normalen Hausmüll entsorgt werden.
- Elektro- und Elektronik-Altgeräte müssen bei zugelassenen Sammelstellen abgegeben werden, die von der Stadtverwaltung oder anderen zuständigen Stellen verwaltet werden.

In vielen Ländern wird für die Entsorgung großer Elektro- und Elektronik-Altgeräte ein Abholservice angeboten. Beim Kauf eines neuen Geräts wird das alte vom Händler zurückgenommen, der es kostenfrei entsorgt, sofern das neue Gerät von einem ähnlichen Typ ist und die gleiche Funktion erfüllt wie das Altgerät.



Mikrodalga Fırın

KULLANIM KILAVUZU

**MODEL:CMW20SMW
CMW20SMB**

Mikrodalga fırınınızı kullanmadan önce bu talimatları dikkatlice okuyun ve dikkatlice saklayın.

Talimatları takip ederseniz, fırınınız size uzun yıllar iyi hizmet sunacaktır.

BU TALİMATLARI DİKKATLİCE SAKLAYIN

AŞIRI MİKRODALGA ENERJİSİNE OLASI MARUZİYETTEN KAÇINMAK İÇİN ÖNLEMLER

(a) Mikrodalga enerjisine zararlı maruziyete neden olabileceğinden, bu fırını kapağı açıkken çalıştırmaya çalışmayın. Güvenlik kilitlerini kırmamak veya kurcalamamak önemlidir.

(b) Fırının ön yüzü ile kapağı arasına herhangi bir nesne koymayın veya sızdırmazlık yüzeylerinde kir veya temizlik maddesi kalıntılarının birikmesine izin vermeyin.

(c) UYARI: Kapak veya kapak contaları hasarlıysa, yetkili bir kişi tarafından onarılanaya kadar fırın çalıştırılmamalıdır.

EK

Cihaz temiz durumda tutulmazsa, yüzeyi bozulabilir ve cihazın kullanım ömrünü etkileyebilir ve tehlikeli bir duruma yol açabilir.

Özellikler

Model:	CMW20SMW / CMW20SMB
Anma Gerilimi:	230V~ 50Hz
Nominal Giriş Gücü (Mikrodalga):	1050 W
Nominal Çıkış Gücü (Mikrodalga):	700 W
Fırın Kapasitesi:	20 L
Döner Tabla Çapı:	Ø255 mm
Dış boyutlar:	439.5*357.5*258.2mm
Net Ağırlığı:	Yaklaşık 10.2 kg

ÖNEMLİ GÜVENLİK TALİMATLARI UYARISI

Cihazınızı kullanırken yangın, elektrik çarpması, kişilerin yaralanması veya aşırı mikrodalga fırın enerjisine maruz kalma riskini azaltmak için aşağıdakiler de dahil olmak üzere temel önlemleri alın:

1. Bilgileri okuyun ve izleyin: "AŞIRI MİKRODALGA ENERJİSİNE OLASI MARUZİYETTEN KAÇINMAK İÇİN ÖNLEMLER".
2. Bu cihaz, 8 yaş ve üzeri çocuklar ve fiziksel, duyuusal veya zihinsel yetenekleri azalmış veya deneyim ve bilgi eksikliği olan kişiler tarafından, cihazın güvenli bir şekilde kullanımına ilişkin gözetim veya talimat verildiyse ve içerdiği tehlikeleri anlıyorlarsa kullanılabilir. Çocuklar cihazla oynamamalıdır. Temizlik ve kullanıcı bakımı yetişkin gözetimi olmadan çocuklar tarafından yapılamaz.
3. Cihazı ve kablosunu 8 yaşından küçük çocukların erişemeyeceği bir yerde saklayın.
4. Besleme kablosu hasarlıysa, bir tehlikeyi önlemek için üretici, servis acentesi veya benzer nitelikli kişiler tarafından değiştirilmelidir.
5. UYARI: Elektrik çarpması olasılığını önlemek için lambayı değiştirmeden önce cihazın kapalı olduğundan emin olun.
6. UYARI: Mikrodalga enerjisine maruz kalmaya karşı koruma sağlayan bir kapağın çıkarılmasını içeren herhangi bir servis veya onarım işlemini yetkili bir kişi dışında herhangi birinin yapması tehlikelidir.
7. UYARI: Sıvılar ve diğer yiyecekler, patlamaya meyilli oldukları için kapalı kaplarda ısıtılmamalıdır.

8. Yiyecekleri plastik veya kağıt kaplarda ısıtırken, tutuşma olasılığı nedeniyle fırına dikkat edin.
9. Yalnızca mikrodalga fırınlarda kullanıma uygun kapları kullanın.
10. Duman çıkarsa, alevleri bastırmak için cihazı kapatın veya fişini çekin ve kapıyı kapalı tutun.
11. İçeceklerin mikrodalgada ısıtılması, kaynamanın gecikmesine neden olabilir, bu nedenle kabı tutarken dikkatli olunmalıdır.
12. Biberonların ve bebek maması kavanozlarının içeriği, yanmaları önlemek için tüketilmeden önce karıştırılmalı veya çalkalanmalı ve sıcaklıkları kontrol edilmelidir.
13. Kabuklu yumurtalar ve bütün olarak haşlanmış yumurtalar, mikrodalga ısıtma sona erdikten sonra bile patlayabileceklerinden mikrodalga fırınlarda ısıtılmamalıdır.
14. Fırın düzenli olarak temizlenmeli ve yemek artıkları temizlenmelidir.
15. Fırının temiz durumda tutulmaması, cihazın ömrünü olumsuz yönde etkileyebilecek ve muhtemelen tehlikeli bir duruma yol açabilecek yüzeyin bozulmasına neden olabilir.
16. Aşırı ısınmayı önlemek için cihaz dekoratif bir kapının arkasına monte edilmemelidir. (Dekoratif kapılı cihazlarda bu geçerli değildir.)
17. Yalnızca bu fırın için önerilen sıcaklık probunu kullanın. (sıcaklık algılama probu kullanma olanağı bulunan fırınlar için.)
18. Mikrodalga fırın, bir dolapta test edilmedikçe bir dolaba yerleştirilmemelidir.

19. Mikrodalga fırın dekoratif kapı açıkken çalıştırılmamalıdır.
(dekoratif kapılı fırınlar için.)
20. Bu cihaz, aşağıdakiler gibi ev ve benzeri uygulamalarda kullanılmak üzere tasarlanmıştır:
 - mağazalar, ofisler ve diğer çalışma ortamlarındaki personel mutfak alanları;
 - oteller, moteller ve diğer konut tipi ortamlardaki müşteriler tarafından;
 - çiftlik evleri;
 - yatak ve kahvaltı tipi ortamlar.
21. Mikrodalga fırın yiyecek ve içecekleri ısıtmak için tasarlanmıştır. Yiyeceklerin veya giysilerin kurutulması ve ısıtma pedlerinin, terliklerin, süngerlerin, nemli bezlerin ve benzerlerinin ısıtılması yaralanma, tutuşma veya yangın riskine yol açabilir.
22. Mikrodalga ile pişirme sırasında yiyecek ve içecekler için metalik kaplara izin verilmez.
23. Cihaz buharlı temizleyici ile temizlenmemelidir.
24. Cihaz bağımsız olarak kullanılmak üzere tasarlanmıştır.
25. Cihazların arka yüzeyi duvara dayalı olarak yerleştirilmelidir.

**DİKKATLİCE OKUYUN VE DAHA SONRA
BAŞVURMAK ÜZERE SAKLAYIN**

Kişilerin Yaralanma Riskini Azaltmak İçin Topraklama Tesisatı

TEHLİKE

Elektrik Çarpması Tehlikesi
Bazı dahili bileşenlere dokunmak ciddi kişisel yaralanmalara veya ölüme neden olabilir. Bu cihazı parçalarına ayırmayın.

UYARI

Elektrik Çarpması Tehlikesi
Topraklamanın yanlış kullanılması elektrik çarpmasına neden olabilir. Cihaz düzgün bir şekilde kurulup topraklanana kadar prize takmayın.

Bu cihaz topraklanmalıdır. Elektrik kısa devresi durumunda topraklama, elektrik akımı için bir kaçış kablosu sağlayarak elektrik çarpması riskini azaltır. Bu cihaz, topraklama fişi olan bir topraklama kablosuna sahip bir kablo ile donatılmıştır. Fiş, doğru şekilde kurulmuş ve topraklanmış bir prize takılmalıdır. Topraklama talimatları tam olarak anlaşılmadıysa veya cihazın

uygun şekilde topraklanıp topraklanmadığına dair şüphe varsa kalifiye bir elektrikçi veya servis elemanına danışın. Uzatma kablosu kullanılması gerekiyorsa, yalnızca 3 telli bir uzatma kablosu kullanın.

1. Daha uzun bir kabloya dolanma veya takılıp düşme risklerini azaltmak için kısa bir güç kaynağı kablosu sağlanmıştır.
2. Uzun bir kablo seti veya uzatma kablosu kullanılıyorsa:
 - 1) Kablo setinin veya uzatma kablosunun işaretli elektrik derecesi, en az cihazın elektrik derecesi kadar büyük olmalıdır.
 - 2) Uzatma kablosu, topraklı tip 3 telli bir kablo olmalıdır.
 - 3) Uzun kordon, çocuklar tarafından çekilebileceği veya yanlışlıkla devrilebileceği tezgahın veya masanın üzerinden sarkmayacak şekilde düzenlenmelidir.

TEMİZLEME

Cihazı güç kaynağından çıkardığınızdan emin olun.

1. Kullandıktan sonra fırının boşluğunu hafif nemli bir bezle temizleyin.
2. Aksesuarları her zamanki gibi sabunlu suda temizleyin.
3. Kapak çerçevesi ve contası ve komşu parçalar kirlendiğinde nemli bir bezle dikkatlice temizlenmelidir.
4. Fırın kapağı camını temizlemek için sert aşındırıcı temizleyiciler veya keskin metal kazıyıcılar kullanmayın, çünkü bunlar yüzeyi çizebilir ve camın kırılmasına neden olabilir.
5. Temizleme İpucu --- Pişirilen yiyeceklerin temas edebileceği boşluk duvarlarının daha kolay temizlenmesi için: Yarım limonu bir kaseye koyun, 300ml (1/2 pint) su ekleyin ve %100 mikrodalga gücünde 10 dakika ısıtın. Fırını yumuşak, kuru bir bezle silerek temizleyin.

MUTFAK GEREÇLERİ DİKKAT

Kişisel Yaralanma Tehlikesi

Mikrodalga enerjisine maruz kalmaya karşı koruma sağlayan bir kapağın çıkarılmasını içeren herhangi bir servis veya onarım işlemini yetkili bir kişi dışında herhangi birinin yapması tehlikelidir.

"Mikrodalga fırında kullanabileceğiniz veya mikrodalga fırında kaçınılması gereken malzemeler" konusundaki talimatlara bakın. Mikrodalga için kullanılması güvenli olmayan bazı metalik olmayan mutfak eşyaları olabilir. Şüphenez varsa, aşağıdaki prosedürü izleyerek söz konusu aleti test edebilirsiniz.

Gereç Testi:

1. Mikrodalgaya uygun bir kabı 1 bardak soğuk su (250 ml) ile birlikte söz konusu aletle doldurun.
2. 1 dakika boyunca maksimum güçte pişirin.
3. Aleti dikkatlice hissedin. Boş kap sıcaksa, mikrodalgada pişirme için kullanmayın.
4. 1 dakikalık pişirme süresini aşmayın.

Mikrodalgaya fırında kullanabileceğiniz malzemeler

Mutfak gereçleri	Notlar
Kızartma kabı	Üreticinin talimatlarını izleyin. Kızartma kabının alt kısmı, döner tablanın en az 3/16 inç (5 mm) üzerinde olmalıdır. Yanlış kullanım döner tablanın kırılmasına neden olabilir.
Yemek takımı	Yalnızca mikrodalgaya uygun. Üreticinin talimatlarını izleyin. Çatlak veya pürüzlü tabaklar kullanmayın.
Cam kavanozlar	Her zaman kapağı çıkarın. Sadece yiyecekleri ısınana kadar ısıtmak için kullanın. Çoğu cam kavanoz ısıya dayanıklı değildir ve kırılabilir.
Züccaciye	Yalnızca ısıya dayanıklı fırın kapları. Metalik süs olmadığından emin olun. Çatlak veya pürüzlü tabaklar kullanmayın.
Fırın pişirme torbaları	Üreticinin talimatlarını izleyin. Metal bağ ile kapatmayın. Buharın çıkmasına izin vermek için kesikler oluşturun.
Kağıt tabaklar ve bardaklar	Yalnızca kısa süreli pişirme/ısıtma için kullanın. Pişirme sırasında fırını gözetimsiz bırakmayın.
Kağıt havlu	Yeniden ısıtmak ve yağı emmek üzere yiyecekleri örtmek için kullanın. Yalnızca kısa süreli pişirme için gözetim altında kullanın.
Parşömen kağıdı	Sıçramayı önlemek için bir örtü veya buharda pişirmek için bir sargı olarak kullanın.
Plastik	Yalnızca mikrodalgaya uygun. Üreticinin talimatlarını izleyin. "Mikrodalgaya Uygun" olarak etiketlenmelidir. Bazı plastik kaplar içindeki yiyecekler ısındıkça yumuşar. "Kaynatma torbaları" ve sıkıca kapatılmış plastik torbalar, paketin belirttiği şekilde kesilmeli, delinmeli veya havalandırılmalıdır.
Plastik ambalaj	Yalnızca mikrodalgaya uygun. Nemi korumak için pişirme sırasında yiyecekleri örtmek için kullanın. Plastik ambalajın yiyeceklere dokunmasına izin vermeyin.
Termetreler	Yalnızca mikrodalgaya uygun (et ve şeker termetreleri).
Balmumu kağıt	Sıçramayı önlemek ve nemi tutmak için örtü olarak kullanın.

Mikrodalgaya fırında kaçınılması gereken malzemeler

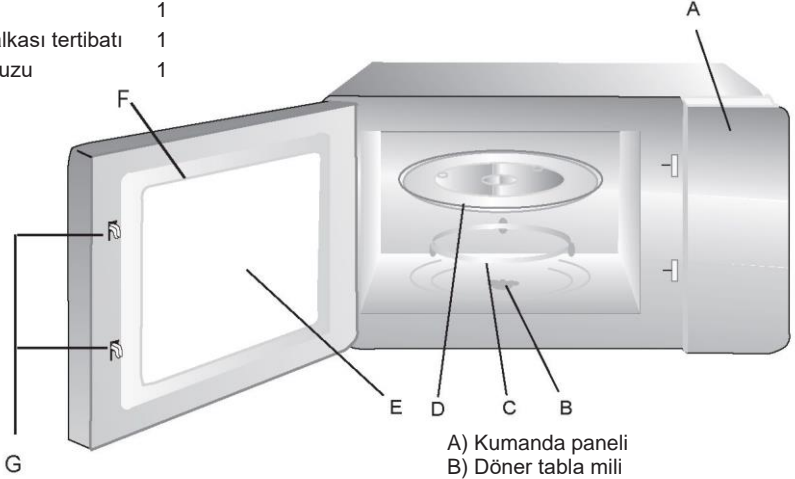
Mutfak gereçleri	Notlar
Alüminyum tepsi	Kıvılcım oluşumuna neden olabilir. Yiyecekleri mikrodalgaya dayanıklı bir kaba aktarın.
Metal saplı gıda kartonu	Kıvılcım oluşumuna neden olabilir. Yiyecekleri mikrodalgaya dayanıklı bir kaba aktarın.
Metal veya metalle süslenmiş mutfak gereçleri	Metal, yiyecekleri mikrodalgaya enerjisinden korur. Metal süs kıvılcım oluşumuna neden olabilir.
Metal torba bağları	Kıvılcım oluşumuna ve fırında yangına neden olabilir.
Kağıt Torbalar	Fırında yangına neden olabilir.
Plastik köpük	Plastik köpük, yüksek sıcaklığa maruz kaldığında eriyebilir veya içindeki sıvıyı kirletebilir.
Ahşap	Ahşap mikrodalgaya fırında kullanıldığında kurur ve bölünebilir veya çatlayabilir.

FIRININIZI KURMA

Fırın Parça ve Aksesuarlarının İsimleri

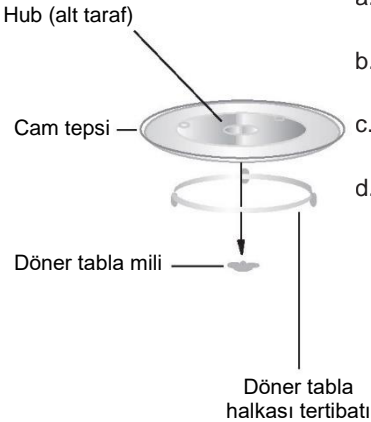
Fırını ve tüm malzemeleri kartondan ve fırın boşluğundan çıkarın. Fırınınız aşağıdaki aksesuarlarla birlikte gelir:

Cam tepsi	1
Döner tabla halkası tertibatı	1
Kullanım Kılavuzu	1



- A) Kumanda paneli
- B) Döner tabla mili
- C) Döner tabla halkası tertibatı
- D) Cam tepsi
- E) Gözlem penceresi
- F) Kapı montajı
- G) Güvenlik kilitleme sistemi

Döner Tabla Kurulumu



- a. Cam tepsiyi asla baş aşağı yerleştirmeyin. Cam tepsi asla kısıtlanmamalıdır.
- b. Pişirme sırasında her zaman hem cam tepsi hem de döner tabak takımı kullanılmalıdır.
- c. Tüm yiyecekler ve yiyecek kapları, pişirme için her zaman cam tepsiye yerleştirilir.
- d. Cam tepsi veya döner tabla halkası grubu çatlarsa veya kırılırsa, size en yakın yetkili servis merkeziyle iletişime geçin.

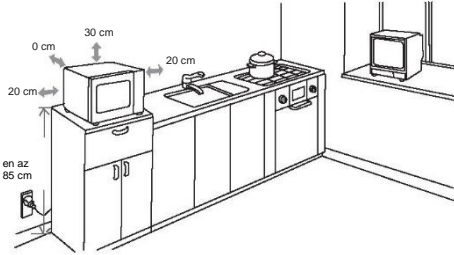
Tezgah Kurulumu

Tüm ambalaj malzemelerini ve aksesuarları çıkarın. Fırını ezik veya kırık kapı gibi herhangi bir hasar açısından inceleyin. Fırın hasarlıysa kurmayın.

Dolap: Mikrodalga fırın dolabı yüzeyinde bulunan koruyucu filmi çıkarın. Magnetronu korumak için fırın boşluğuna takılı olan açık kahverengi Mika kapağını çıkarmayın.

Kurulum

1. Giriş ve/veya çıkış havalandırmaları için yeterli açık alan sağlayan düz bir yüzey seçin.



(1) Minimum kurulum yüksekliği 85 cm'dir.

(2) Cihazın 7 arka yüzeyi bir duvara karşı yerleştirilmelidir.

Fırının üzerinde minimum 30 cm boşluk bırakın, fırın ile bitişik duvarlar arasında minimum 20 cm boşluk olmalıdır.

(3) Ayakları fırının altından çıkarmayın.

(4) Giriş ve/veya çıkış açıklıklarının kapatılması fırına zarar verebilir.

(5) Fırını radyo ve televizyondan mümkün olduğunca uzağa yerleştirin. Mikrodalga fırının çalışması, radyo veya TV yayınınızın alınmasında parazite neden olabilir.

2. Fırınınızı standart bir ev prizine takın. Voltaj ve frekansın, derecelendirme etiketindeki voltaj ve frekansla aynı olduğundan emin olun.

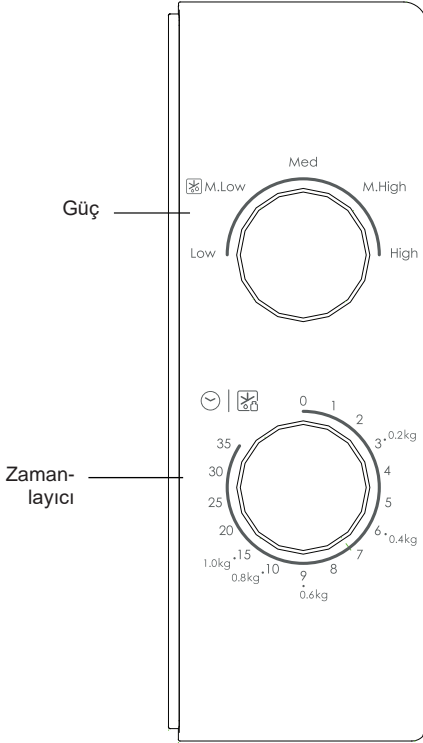
UYARI: Fırını bir ocak veya diğer ısı üreten cihazların üzerine kurmayın. Bir ısı kaynağının yakınına veya üzerine kurulursa fırın hasar görebilir ve garanti geçersiz olur.

Erişilebilir yüzey çalışma sırasında sıcak olabilir.



ÇALIŞTIRMA

Kontrol Paneli ve Özellikler Çalıştırma Talimatları



1. Güç düğmesini istenilen seviyeye çevirerek pişirme gücünü ayarlamak için.
2. Yemek pişirme rehberinize göre zamanlayıcı düğmesini istediğiniz zamana çevirerek pişirme süresini ayarlamak için.
3. Güç seviyesi ve zaman ayarlandıktan sonra mikrodalga fırın otomatik olarak pişirmeye başlayacaktır.
4. Pişirme süresi dolduktan sonra ünite durmak için "ötecektir".
5. Ünite kullanımda değilse, zamanı her zaman "0" olarak ayarlayın.


İşlev/Güç	Çıkış	Uygulama
Low	119W	Dondurmayı yumuşatın
Med. Low (Buz Çözme)	231W	Çorba güveç, tereyağını yumuşatın veya buzunu çözün
Med.	385W	Güveç, balık
Med. High	539W	Pirinç, balık, tavuk, kıyma
High	700W	Tekrar ısıtma, süt, kaynatma suyu, sebzeler, içecek

Açıklama: Fırından yiyecek çıkarırken, zamanlayıcı düğmesini 0 (sıfır) konumuna getirerek fırının gücünün kapalı olduğundan emin olun. Bunu yapmamak ve mikrodalga fırını içinde yiyecek olmadan çalıştırmak, magnetronun aşırı ısınmasına ve hasar görmesine neden olabilir.

Sorun giderme

Normal	
Mikrodalga fırın TV alımını engelliyor	Mikrodalga fırın çalışırken radyo ve TV alımı engellenebilir. Mikser, elektrikli süpürge ve elektrikli fan gibi küçük elektrikli cihazların parazitine benzer. Bu normaldir.
Loş fırın ışığı	Düşük güçte mikrodalgada pişirmede fırın ışığı loş olabilir. Bu normaldir.
Kapıda biriken buhar, havalandırma deliklerinden sıcak hava	Pişirme sırasında yiyeceklerden buhar çıkabilir. Çoğu havalandırmadan çıkacaktır. Ancak bazıları fırın kapağı gibi serin yerde birikebilir. Bu normaldir.
Fırın yanlılıkla içinde yiyecek yokken çalışmaya başladı.	Ünitenin içinde yiyecek olmadan çalıştırılması yasaktır. Çok tehlikelidir.

Sorun	Muhtemel neden	Çözüm
Fırın başlatılmıyor.	(1)Güç kablosu sıkıca takılmamış.	Fişi çekin. Ardından 10 saniye sonra tekrar takın.
	(2)Sigorta atıyor veya devre kesici çalışıyor.	Sigortayı değiştirin veya devre kesiciyi sıfırlayın (onarımı firmamızın profesyonel personeli tarafından yapılır)
	(3)Prizde sorun.	Prizi diğer elektrikli cihazlarla test edin.
Fırın ısıtmıyor.	(4)Kapı iyi kapatılmamış.	Kapıyı iyi kapatın.

 Bu cihaz, elektrikli ve elektronik cihazlar ile ilgili Atık Elektrikli ve Elektronik Ekipman (AEEE) Düzenlemeleri 2013'e yönelik 2012/19/EU sayılı Avrupa Yönergesine uygun olarak etiketlenmiştir. AEEE hem kirletici maddeleri (çevre üzerinde olumsuz etkisi olabilecek) hem de temel elementleri (yeniden kullanılabilir) içerir. AEEE'nin kirleticileri doğru şekilde uzaklaştırmak ve bertaraf etmek ve tüm malzemeleri geri kazanmak için özel işlemlerden geçmesi önemlidir. Bireyler, AEEE'nin bir çevre sorunu haline gelmemesini sağlamada önemli bir rol oynayabilir; birkaç temel kurala uymak önemlidir:

- AEEE evsel atık olarak muamele görmemelidir;
- AEEE, belediye meclisi veya tescilli bir şirket tarafından yönetilen özel toplama alanlarına götürülmelidir.

Birçok ülkede, büyük AEEE'ler için yerel toplama hizmetleri mevcut olabilir. Yeni bir cihaz satın aldığınızda, eski cihaz satıcıya iade edilebilir ve satıcı, ancak cihaz eşdeğer tipte olduğu ve satın alınan cihazla aynı işlevlere sahip olduğu sürece bunu bir defaya mahsus olarak ücretsiz olarak kabul etmelidir.



Мікрохвильова піч

ІНСТРУКЦІЯ З ЕКСПЛУАТАЦІЇ

МОДЕЛЬ: CMW20SMW
CMW20SMB

Уважно прочитайте ці інструкції перед початком користування мікрохвильової піччю та зберігайте їх.
Якщо ви будете дотримуватися інструкцій, ваша піч надійно служитиме вам протягом багатьох років.

БЕРЕЖІТЬ ЦІ ІНСТРУКЦІЇ!

ЗАСТЕРЕЖЕННЯ ЩОДО МОЖЛИВОГО ВПЛИВУ НАДМІРНОЇ МІКРОХВИЛЬНОЇ ЕНЕРГІЇ

(а) Не намагайтеся використовувати цю піч з відчиненими дверцятами, оскільки це може призвести до шкідливого впливу мікрохвильової енергії. Важливо не порушувати систему запобіжного блокування та не втручатися в її роботу.

(b) Не кладіть жодні предмети між передньою поверхнею печі та дверцятами. Стежте за тим, щоб на ущільнювальних поверхнях не накопичувався бруд або залишки засобу для чищення.

(с) **ПОПЕРЕДЖЕННЯ:** якщо дверцята або їхнє ущільнення пошкоджено, заборонено експлуатувати піч, допоки її не відремонтує компетентний фахівець.

ДОДАТКОВО

Якщо не підтримувати належну чистоту пристрою, стан його поверхні може погіршитися. Це може негативно вплинути на тривалість служби пристрою й призвести до небезпечної ситуації.

Технічні характеристики

Модель	CMW20SMW/CMW20SMB
Номінальна напруга:	230 В, ~ 50 Гц
Номінальна вхідна потужність (мікрохвильовий модуль):	1 050 Вт
Номінальна вихідна потужність (мікрохвильовий модуль):	700 Вт
Об'єм печі:	20 л
Діаметр поворотної таці:	Ø 255 mm
Зовнішні розміри:	439.5*357.5*258.2mm
Вага нетто:	прибл. 10.2 кг

ВАЖЛИВІ ІНСТРУКЦІЇ З ТЕХНІКИ БЕЗПЕКИ

Щоб зменшити ризик виникнення пожежі, ураження електричним струмом, травмування людей або впливу надмірної енергії мікрохвильової печі під час використання приладу, дотримуйтеся основних запобіжних заходів, зокрема таких:

1. Прочитайте спеціальні застереження та дотримуйтеся їх: **«ЗАСТЕРЕЖЕННЯ ЩОДО МОЖЛИВОГО ВПЛИВУ НАДМІРНОЇ МІКРОХВИЛЬОВОЇ ЕНЕРГІЇ»**
2. Цей прилад може використовуватися дітьми віком 8 років і старшими, а також особами з обмеженими фізичними, сенсорними й розумовими можливостями, недостатнім досвідом і знаннями за умови, що вони перебувають під належним наглядом або проінструктовані щодо порядку безпечного користування приладом та усвідомлюють пов'язані з цим небезпеки. Не дозволяйте дітям гратися з приладом. Дітям заборонено проводити очищення й користувацьке обслуговування приладу без нагляду.
3. Зберігайте прилад та його шнур у місці, недоступному для дітей віком до 8 років.
4. У разі пошкодження кабелю живлення для уникнення можливої небезпеки його заміну має проводити виробник, його сервісний представник або особи з подібною кваліфікацією.
5. **ПОПЕРЕДЖЕННЯ:** перед заміною лампочки пересвідчіться, що прилад вимкнено, щоб уникнути можливого ураження електричним струмом.
6. **ПОПЕРЕДЖЕННЯ:** для будь-кого, окрім компетентного фахівця, небезпечно виконувати будь-які операції з обслуговування або ремонту приладу, що передбачають зняття кришки, яка захищає від впливу мікрохвильової енергії.
7. **ПОПЕРЕДЖЕННЯ:** не розігрівайте рідкі та інші продукти харчування в герметичних контейнерах, оскільки вони можуть вибухнути.

8. Під час нагрівання їжі в пластикових або паперових ємностях неперервно стежте за піччю через небезпеку займання.
9. Використовуйте лише посуд, схвалений для використання в мікрохвильових печах.
10. При появі диму вимкніть прилад або від'єднайте його від мережі живлення та тримайте дверцята зачиненими, щоб уникнути притоку повітря до полум'я.
11. Мікрохвильове нагрівання напоїв може призвести до надшвидкого закипання рідини, тому необхідно дотримуватися обережності при нагріванні відповідних ємностей.
12. Вміст пляшок та банок з дитячим харчуванням слід перемішувати або струшувати, а також перевіряти температуру перед годуванням, щоб уникнути опіків.
13. Не слід нагрівати в мікрохвильових печах яйця в шкаралупі та цілі варені яйця, оскільки вони можуть вибухнути навіть після закінчення мікрохвильового нагрівання.
14. Піч слід регулярно чистити, зокрема від будь-яких залишків харчових продуктів.
15. Забруднення печі може призвести до погіршення стану поверхні, що може негативно вплинути на термін служби приладу та призвести до небезпечної ситуації.
16. Заборонено встановлювати прилад за декоративними дверцятами, оскільки це може призвести до перегрівання. (Це не стосується приладів з декоративними дверцятами.)
17. Використовуйте тільки температурні зонди, схвалені для цієї печі. (Стосується печей, конструкція яких допускає використання зонда для визначення температури.)
18. Встановлення мікрохвильової печі в спеціальній шафі допускається лише за умови, що її роботу випробувано в цій шафі.

19. Мікрохвильова піч повинна працювати з відчиненими декоративними дверцятами (для печей з такими дверцятами).
20. Цей прилад призначений для використання в побуті та подібних сферах застосування, як-от:
 - кухонних зонах персоналу в магазинах, офісах та інших робочих середовищах;
 - клієнтами в готелях, мотелях та інших середовищах житлового типу;
 - господарських будинках;
 - середовищах типу «ночівля й сніданок».
21. Мікрохвильова піч призначена для нагрівання їжі та напоїв. Сушіння їжі або одягу, а також нагрівання теплих подушок, капців, губок, вологих тканин і подібних предметів може призвести до травмування, займання або пожежі.
22. Під час приготування в мікрохвильовій печі не дозволяється використовувати металеві контейнери для продуктів харчування та напоїв.
23. Прилад не слід чистити за допомогою пароочисника.
24. Прилад призначено для використання окремо від інших пристроїв.
25. Задня поверхня приладу повинна розташовуватися біля стіни.

УВАЖНО ПРОЧИТАЙТЕ ТА ЗБЕРІГАЙТЕ ЦІ ІНСТРУКЦІЇ ДЛЯ ПОДАЛЬШОГО ВИКОРИСТАННЯ

Зниження ризику травмування осіб, що встановлюють заземлення

НЕБЕЗПЕКА!

Небезпека ураження електричним струмом: дотик до деяких внутрішніх компонентів приладу може призвести до серйозних травм або смерті. Не розбирайте цей прилад.

ПОПЕРЕДЖЕННЯ

Небезпека ураження електричним струмом: неправильне застосування заземлення може призвести до ураження електричним струмом. Під'єднуйте прилад до розетки виключно після того, як його буде належним чином встановлено та заземлено.

Цей прилад повинен бути заземлений. У разі короткого замикання заземлення зменшує ризик ураження електричним струмом, надаючи провідник для безпечного витоку електричного струму. Цей прилад обладнаний шнуром, що має заземлюючий провідник із заземлюючою вилкою. Штепсель слід під'єднувати до належним чином встановленої та заземленої

розетки. Якщо інструкції із заземлення не зрозумілі повною мірою або якщо ви сумніваєтеся щодо того, чи прилад належним чином заземлений, проконсультуйтеся з кваліфікованим електриком або майстром. Якщо необхідно скористатися подовжувачем, використовуйте лише 3-провідниковий подовжувач.

1. Короткий шнур живлення передбачений для зниження ризиків унаслідок заплутування в шнурі або спотикання через нього.

2. Якщо використовується довгий шнуровий комплект або подовжувач:

1) Зазначені номінальні характеристики шнурового комплекту або подовжувача повинні бути не меншими, ніж номінальні електричні характеристики приладу.

2) Подовжувач повинен бути 3-провідниковим шнуром заземлювального типу.

3) Подовжений шнур повинен пролягати так, щоб він не звисав зі стільниці і не створював небезпеку натягу й перечеплення через нього для дітей.

ОЧИЩЕННЯ

Обов'язково від'єднайте прилад від джерела живлення.

1. Після використання печі протріть її внутрішній простір злегка зволоженою ганчіркою.
2. Очищуйте допоміжне приладдя звичним способом у мильній воді.
3. У разі забруднення рами дверцят, ущільнення та прилеглих деталей їх слід ретельно очищати вологою ганчіркою.
4. Не використовуйте жорсткі абразивні засоби для чищення або гострі металеві скребки для очищення скла дверцят печі, оскільки вони можуть подряпати поверхню, що може призвести до розбиття скла.
5. Порада щодо очищення: для легшого очищення внутрішніх стінок, на яких може залишатися їжа: покладіть половину лимона в миску, додайте 300 мл (1/2 пінти) води і грійте миску протягом 10 хвилин на 100 % потужності мікрохвиль. Протріть піч чистою м'якою сухою тканиною.

ПОСУД ОБЕРЕЖНО!

Небезпека травмування людей

для будь-кого, окрім компетентного фахівця, небезпечно виконувати будь-які операції з обслуговування або ремонту приладу, що передбачають зняття кришки, яка захищає від впливу мікрохвильової енергії.

Див. інструкцію в розділі «Матеріали, які можна використовувати в мікрохвильовій печі або яких слід уникати». Певний неметалевий посуд може бути небезпечним для використання в мікрохвильовій печі. Якщо ви сумніваєтеся, можете перевірити відповідний посуд, як описано нижче.

Випробування посуду:

1. Налийте в контейнер, придатний для використання в мікрохвильовій печі, 1 чашку холодної води (250 мл) та поставте поряд посуд, який слід перевірити.
2. Запустіть приготування на максимальній потужності протягом 1 хвилини.
3. Обережно торкніться посуду. Якщо порожній посуд теплий, не використовуйте його для приготування їжі в мікрохвильовій печі.
4. Не перевищуйте час приготування в 1 хвилину.

Матеріали, які можна використовувати в мікрохвильовій печі

Посуд	Примітки
Пасер	Дотримуйтесь інструкцій виробника. Нижня частина пасеру повинна бути на висоті щонайменше 5 мм (3/16 дюйма) над поворотною тацею. Неправильне використання може призвести до поломки поворотної таці.
Столовий посуд	Тільки вироби, схвалені для мікрохвильових печей. Дотримуйтесь інструкцій виробника. Не використовуйте розтрісканий або битий посуд.
Скляні банки	Завжди знімайте кришку. Використовуйте тільки для розігрівання їжі, поки вона не стане теплою. Більшість скляних банок не жароміцні й можуть розтріскуватися.
Скляний посуд	Тільки термостійкий посуд, схвалений для мікрохвильових печей. Переконайтеся, що посуд не має металевого оздоблення. Не використовуйте розтрісканий або битий посуд.
Мішечки для приготування їжі в печі	Дотримуйтесь інструкцій виробника. Не закривайте їх металевими затискачами. Зробіть щілини для виходу пари.
Паперові тарілки та чашки	Використовуйте лише для короточасного приготування/розігрівання їжі. Не залишайте піч без нагляду під час приготування.
Паперові рушники	Використовуйте для накриття їжі задля повторного нагрівання та поглинання жиру. Використовуйте під неперервним наглядом лише для короточасного приготування.
Пергаментний папір	Використовуйте як кришку, щоб запобігти розбризкуванню, або обгорніть ним посуд для парування.
Пластиковий посуд	Тільки вироби, схвалені для мікрохвильових печей. Дотримуйтесь інструкцій виробника. Має містити позначку «Безпечно для мікрохвильових печей». Деякі пластикові ємності пом'якшуються внаслідок нагрівання їжі всередині. «Паке́ти для варіння» та щільно закриті поліетиленові пакети слід прорізати, проколоти або розкрити відповідно до позначок на упаковці.
Пластикова обгортка	Тільки вироби, схвалені для мікрохвильових печей. Використовуйте для накриття їжі під час приготування, щоб утримувати вологу. Пластикова обгортка не повинна контактувати з їжею.
Термометри	Тільки схвалені для застосування в мікрохвильових печах (термометри для м'яса та випічки).
Восковий папір	Використовуйте як кришку, щоб запобігти розбризкуванню або зберегти вологу.

Матеріали, які не можна використовувати в мікрохвильовій печі

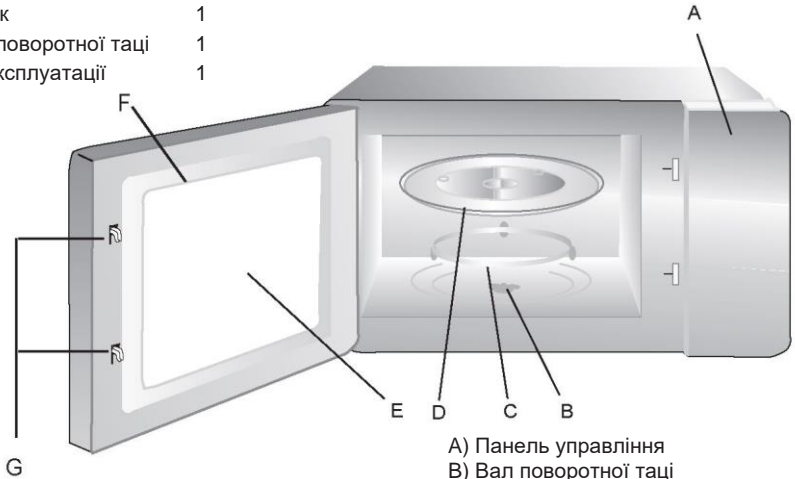
Посуд	Примітки
Алюмінієвий лоток	Може спричинити дуговий розряд. Перекладіть їжу в посуд, який може безпечно використовуватися в мікрохвильовій печі.
Картонна коробка з металевою ручкою	Може спричинити дуговий розряд. Перекладіть їжу в посуд, який може безпечно використовуватися в мікрохвильовій печі.
Металевий або оздоблений металом посуд	Метал екранує мікрохвилі й не дає їм нагрівати їжу. Металево оздоблення може спричинити дуговий розряд.
Металеві затискачі	Можуть спричинити дуговий розряд та займання всередині печі.
Паперові пакети	Можуть спричинити займання всередині печі.
Пінопластовий посуд	Під впливом високої температури пінопласт може плавитися або забруднювати рідину всередині.
Посуд із деревини	При перебуванні в мікрохвильовій печі деревина висихає та може розколюватися або тріскатися.

ВСТАНОВЛЕННЯ ПЕЧІ

Назви компонентів та допоміжного приладдя мікрохвильової печі

Дістаньте піч та всі матеріали з коробки, дістаньте все зі внутрішнього простору печі. У комплект вашої печі входить таке допоміжне приладдя:

Скляний лоток	1
Вузол кільця поворотної таці	1
Інструкція з експлуатації	1



- A) Панель управління
- B) Вал поворотної таці
- C) Вузол кільця поворотної таці
- D) Скляний лоток
- E) Віконце
- F) Дверцята в зборі
- G) Система запобіжного блокування

Встановлення поворотної таці



- a. Ніколи не ставте скляний лоток догори дном. Ніколи не обмежуйте рух скляного лотка.
- b. Під час приготування їжі завжди слід використовувати як скляний лоток, так і кільце поворотної таці.
- c. Уся їжа та ємності з їжею мають завжди розташовуватися на скляній таці для приготування їжі.
- d. Якщо скляний лоток або вузол кільця поворотної таці розтріскався або зламався, зверніться до найближчого авторизованого сервісного центру.

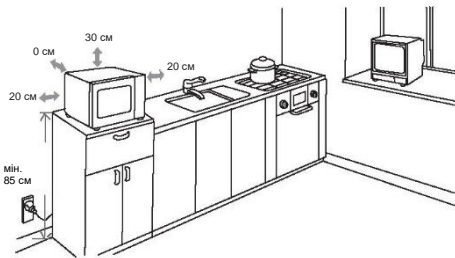
Встановлення на стільниці

Видаліть усі пакувальні матеріали та допоміжне приладдя. Перевірте піч на наявність будь-яких пошкоджень, зокрема на вм'ятини або поломку дверцят. Не встановлюйте піч, якщо її пошкоджено.

У спеціальній шафі: зніміть будь-яку захисну плівку, що може міститися на поверхнях шафи для мікрохвильової печі. Не знімайте світло-коричневу кришку MICA, яка прикріплена до внутрішньої поверхні печі: вона захищає магнетрон.

Встановлення

1. Виберіть рівну поверхню, що має достатній відкритий простір для впускних та/або випускних отворів.



(1) Мінімальна висота при встановленні — 85 см.

(2) Задня поверхня приладу повинна розміщуватися біля стіни.

Залиште мінімальний зазор 30 см над піччю, а також 20 см між піччю та будь-якими суміжними стінами.

(3) Не від'єднуйте ніжки від нижньої частини печі.

(4) Блокування впускних та/або випускних отворів може призвести до пошкодження печі.

(5) Розташовуйте піч якнайдалі від радіо та телевізора. Функціонування

мікрохвильової печі може створити перешкоди для прийому радіо- або телевізійного сигналу.

2. Під'єднайте піч до стандартної побутової розетки. Переконайтеся, що напруга та частота мережі збігаються з відповідними показниками на паспортній табличці.

ПОПЕРЕДЖЕННЯ:

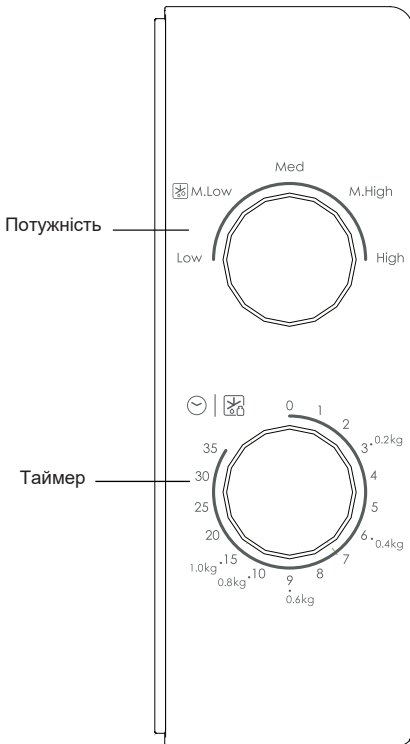
не встановлюйте піч над плитою або іншим приладом, що генерує тепло. Якщо встановити піч біля джерела нагрівання або над ним, піч може бути пошкоджено, що призведе до ануляції гарантії.

Доступна поверхня може нагріватися під час роботи.



ЕКСПЛУАТАЦІЯ

Інструкції з експлуатації панелі управління та функцій



- 1.Щоб задати потужність для приготування, поверніть регулятор потужності на потрібний рівень.
- 2.Щоб задати час приготування їжі, поверніть ручку таймера до бажаного часу відповідно до інструкції з приготування їжі.
- 3.Після встановлення рівня потужності та часу мікрохвильова піч автоматично розпочне приготування.
- 4.По завершенні часу приготування пристрій видасть звуковий сигнал (дзенькіт) і зупиниться.
- 5.Якщо пристрій не використовується, завжди встановлюйте час на «0».

Функція/потужність	Вихід	Застосування
Low	119 Вт	Розм'якшення морозива
Med. Low (середньо-низька, розморожування)	231 Вт	Суп-рагу, розм'якшення масла або розморожування
Med.	385 Вт	Тушкування, риба
Med. High	539 Вт	Рис, риба, курятина, м'ясний фарш
High	700 Вт	Підігрів, молоко, кип'ятіння води, овочі, напої

Зауваження: коли дістаєте їжу з печі, переконайтеся, що живлення печі вимкнено; для цього поверніть ручку таймера в положення «0» (нуль). Невиконання цієї вказівки та робота мікрохвильової печі без їжі всередині може призвести до перегріву та пошкодження магнетрона.

Усунення несправностей

Нормальна робота	
Мікрохвильова піч перешкоджає прийому телевізійного сигналу	Під час роботи мікрохвильової печі вона може перешкоджати прийому радіо- та телевізійного сигналу. Такі завади подібні до завад від невеликих електричних приладів на кшталт міксерів, пылесосів та електричного вентилятора. Це нормально.
Тьмяне світло всередині печі	При готуванні в мікрохвильовій печі низької потужності світло може тьмяніти. Це нормально.
Конденсація пари на дверцятах, гаряче повітря з вентиляційних отворів	При приготуванні їжі може утворюватися пара. Більшість пари виходить через вентиляційні отвори. Водночас деяка кількість пари може конденсуватися в прохолодному місці, наприклад на дверях печі. Це нормально.
Піч запустилася випадково без їжі всередині.	Забороняється запускати пристрій без будь-якої їжі всередині. Це дуже небезпечно.

Проблеми	Можлива причина	Рішення
Піч не запускається.	(1) Шнур живлення не підключено щільно.	Від'єднайте піч від розетки. Потім знову під'єднайте її через 10 секунд.
	(2) Спрацювання запобіжника або автоматичного вимикача.	Замініть запобіжник або скиньте автоматичний вимикач (відповідний ремонт виконує фахівець нашої компанії)
	(3) Проблема з розеткою.	Випробуйте розетку з іншими електричними приладами.
Піч не нагрівається.	(4) Дверцята погано зачинені.	Надійно зачиніть дверцята.



Цей прилад марковано відповідно до Директиви ЄС 2012/19/EU у рамках Регламенту відходів електричного та електронного обладнання 2013 року щодо електричного та електронного обладнання (WEEE). Відходи електричного та електронного обладнання містять як забруднюючі речовини (що можуть мати негативний вплив на довкілля), так і базові елементи (що можуть бути повторно використані). Важливо, щоб відходи електричного та електронного обладнання пройшли спеціальну обробку для правильного видалення та утилізації забруднюючих речовин і відновлення всіх матеріалів. Окремі люди можуть грати важливу роль у забезпеченні того, щоб відходи електричного та електронного обладнання не стали проблемою для довкілля; необхідно дотримуватися кількох базових правил:

- Із відходами електричного та електронного обладнання не можна поводитися як із побутовим сміттям.
- Відходи електричного та електронного обладнання слід відносити до спеціальних зон збору, що перебувають в управлінні міської ради або зареєстрованої компанії.

У багатьох країнах місцеві програми збирання можуть бути доступні для великого електричного та електронного обладнання. Купуючи новий прилад, можна повернути старий продавцеві, що зобов'язаний безкоштовно прийняти його за принципом «один за один», якщо це обладнання аналогічного типу і має ті ж функції, що й прилад, який постає продавцеві.



Mikrohullámú sütő

HASZNÁLATI ÚTMUTATÓ

MODELL:CMW20SMW
CMW20SMB

A mikrohullámú sütő használata előtt olvassa el figyelmesen ezt az útmutatót, és gondosan őrizze meg. Ha betartja az utasításokat, a sütő sok éven keresztül fogja megbízhatóan szolgálni Önt.

GONDOSAN ŐRIZZE MEG EZT AZ ÚTMUTATÓT!

A TÚLZOTT MIKROHULLÁMÚ ENERGIÁNAK VALÓ ESETLEGES KITETTSÉG ELKERÜLÉSÉRE VONATKOZÓ ÓVINTÉZKEDÉSEK

(a) Ne kísérelje meg nyitott ajtóval működtetni a sütőt, mert káros mikrohullámú energiának teheti ki magát. Ne iktassa ki, és ne alakítsa át a biztonsági reteszeléseket.

(b) Ne helyezzen semmilyen tárgyat a sütő eleje és az ajtó közé, és ne hagyja, hogy piszok vagy más lerakódás gyűljön össze a tömítésen.

(c) FIGYELMEZTETÉS: Ha az ajtó vagy az ajtótömítések sérültek, a sütőt csak akkor szabad működtetni, ha hozzáértő személy megjavította.

KIEGÉSZÍTÉS

Ha a készüléket nem tartják megfelelően tiszta állapotban, felülete elpiszkolódhat, ami leronthatja a készülék élettartamát, és veszélyes helyzethez vezethet.

Műszaki adatok

Modell:	CMW20SMW / CMW20SMB
Névleges feszültség:	230 V~ 50 Hz
Névleges bemeneti teljesítmény (mikrohullám):	1050 W
Névleges kimenő teljesítmény (mikrohullám):	700 W
Sütőtér űrtartalma:	20 l
Forgótányér átmérője:	Ø 255 mm
Külső méretek:	439.5*357.5*258.2mm
Nettó tömeg:	Kb. 10.2 kg

FONTOS BIZTONSÁGI UTASÍTÁSOK

A tűz, az áramütés, a személyi sérülés vagy a mikrohullámú sütő túlzott energiájának való kitétség veszélyének csökkentése érdekében a készülék használata során kövesse az alapvető óvintézkedéseket, beleértve a következőket:

1. Olvassa el és tartsa be az alábbiakat: "A TÚLZOTT MIKROHULLÁMÚ ENERGIÁNAK VALÓ ESETLEGES KITÉTTSÉG ELKERÜLÉSÉRE VONATKOZÓ ÓVINTÉZKEDÉSEK".
2. A berendezést 8 évnél idősebb gyermekek vagy csökkent fizikai, érzékszervi vagy mentális képességű, vagy tapasztalattal és ismerettel nem rendelkező személyek akkor használhatják, ha felügyelet alatt állnak vagy ha megfelelő utasításokkal látták el őket a berendezés biztonságos használatát illetően, és megértették a használatból eredő veszélyeket. Gyermekek nem játszhatnak a berendezéssel. A berendezés tisztítását és karbantartását gyermekek csak felügyelet alatt végezhetik.
3. A készüléket és annak kábelét tartsa távol 8 évnél fiatalabb gyermekektől.
4. Ha a tápkábel megsérül, a veszély elkerülése érdekében cseréltesse ki a gyártóval, a gyártó szervizközpontjával vagy más szakemberrel.
5. **FIGYELMEZTETÉS:** Az áramütés lehetőségének az elkerülése érdekében bizonyosodjon meg a készülék kikapcsolt állapotáról, mielőtt a lámpa cseréjéhez hozzáfog.
6. **FIGYELMEZTETÉS:** A hozzáértő személyeken kívül bárki számára veszélyes minden olyan szervizelési vagy

javítási művelet, amely során a mikrohullámú energiának való kitettség ellen védő burkolatot kell eltávolítani.

7. FIGYELMEZTETÉS: A folyadékokat és más élelmiszereket nem szabad lezárt tartályokban melegíteni, mert felrobbanhatnak.
8. Ha műanyag vagy papíredényben melegít ételt, figyeljen a sütőre, nehogy az edény meggyulladjon.
9. Csak mikrohullámú sütőben használható eszközöket használjon.
10. Ha füst keletkezik, kapcsolja ki vagy húzza ki a készüléket, és tartsa zárva az ajtaját, hogy elfojtsa a lángokat.
11. Az italok mikrohullámú melegítése késleltetett, kitörésszerű forrást eredményezhet, ezért az edényt óvatosan kezelje!
12. A cumisüvegek és bébiételes üvegek tartalmát az égési sérülések elkerülése érdekében fel kell keverni vagy fel kell rázni, és fogyasztás előtt ellenőrizni kell a hőmérsékletüket.
13. Héjában lévő, vagy keményre főtt tojást nem szabad mikrohullámú sütőben melegíteni, mert felrobbanhatnak, akár a mikrohullámú melegítés után is.
14. A sütőt rendszeresen meg kell tisztítani, és minden ételmaradékot el kell távolítani belőle.
15. Ha nem tartja tisztán a sütőt, az a felület állagromlásához vezethet, ami lerövidítheti a készülék élettartamát, és veszélyekkel járhat.
16. A túlmelegedés elkerülése érdekében a készülék nem telepíthető konyhafront (konyhaszekrényajtó) mögé. (Ez nem vonatkozik a dekoratív ajtós készülékekre.)

17. Kizárólag ehhez a sütőhöz ajánlott hőmérséklet-érzékelő szondát használja. (Olyan sütőkhöz, amelyek rendelkeznek a hőmérséklet-érzékelő szonda használatához szükséges funkcióval.)
18. A mikrohullámú sütőt csak akkor szabad szekrénybe helyezni, ha azt ilyen használatra tesztelték.
19. A mikrohullámú sütőt nyitott ajtóval kell működtetni. (Dekoratív ajtóval rendelkező sütők esetén.)
20. A berendezés kizárólag háztartási célra vagy az alábbi alkalmazásokra használható:
 - üzletek, irodák és egyéb gazdasági munkakörnyezetek személyzeti konyhái;
 - ügyfelek által szállodákban, motelekben és egyéb szállást adó helyeken;
 - falusi vendéglátás;
 - szállást és reggelit biztosító szállások.
21. A mikrohullámú sütő ételek és italok melegítésére szolgál. Az ételek vagy ruhák szárítása, valamint a melegítőpárnák, papucsok, szivacsok, nedves ruhaneműk és hasonlóak felmelegítése sérülést okozhat és tűzveszélyes!
22. Tilos ételt vagy italt fémedényben melegíteni!
23. A készüléket nem szabad gőztisztítóval tisztítani.
24. A készüléket különálló használatra tervezték.
25. A készülékek hátsó felületét a falnak kell támasztani.

**OLVASSA EL FIGYELMESEN, ÉS ŐRIZZE MEG
KÉSŐBBI HASZNÁLATRA**

A személyi sérülések kockázatának csökkentése Földelés Telepítés

VESZÉLY

Elektromos áramütés veszélye! Néhány belső alkatrész megérintése súlyos sérülést vagy halált okozhat. Ne szerelje szét a készüléket.

FIGYELMEZTETÉS

Elektromos áramütés veszélye! A szakszerűtlen földelés áramütést okozhat! Ne csatlakoztassa a készüléket hálózati aljzathoz, amíg nem szerelte be megfelelően és nem földelte.

A készüléket földelni kell. Elektromos rövidzárlat esetén a földelés csökkenti az áramütés kockázatát azáltal, hogy levezető vezetéket biztosít az elektromos áram számára. A készülék földelt villásdugóval szerelt, földelőeres vezetékkel rendelkezik. A csatlakozódugót megfelelően felszerelt és földelt aljzatba kell csatlakoztatni. Forduljon szakképzett villanszerelőhöz vagy

szerelőhöz, ha a földelési utasításokat nem teljesen érti, vagy ha kétség merül fel a készülék megfelelő földelésével kapcsolatban. Ha hosszabbító kábelt kell használni, csak háromerű, földelt hosszabbító kábelt használjon.

1. A készülék rövid tápkábelrel szerelt, a hosszabb kábelen való összegabalyodás vagy elakadás kockázatának csökkentésére.
2. Hosszú kábel vagy hosszabbító használata esetén:
 - 1) A kábel vagy hosszabbító névleges elektromos teljesítményének legalább a készülék elektromos teljesítményével megegyezőnek kell lennie.
 - 2) A hosszabbítónak földelt, 3 erű kábelnek kell lennie.
 - 3) A hosszú vezetéket úgy kell elhelyezni, hogy ne lógjon le a pultról vagy az asztallapról, hogy gyermekek ne rángathassák, és ne lehessen benne véletlenül megbotlani.

TISZTÍTÁS

Ne felejtse el kihúzni a készülék kábelét a konnektorból.

1. Használat után enyhén nedves ruhával tisztítsa meg a sütőteret.
2. A tartozékokat a szokásos módon, szappanos vízben tisztítsa meg.
3. Az ajtókeretet, a tömítést és a szomszédos részeket gondosan meg kell tisztítani nedves ruhával, ha szennyezettek.
4. Ne használjon durva súroló anyagokat vagy éles fémkaparókat a sütő üvegajtájának tisztításához, mert megkarcolhatják a felületet, amitől az üveg eltörhet.
5. Tisztítási tipp: A sütőtér falainak könnyebb tisztításához, amelyekhez a főtt étel hozzáérhet: Helyezzünk egy fél citromot egy tálba, adjunk hozzá 300 ml (1/2 pint) vizet, és melegítsük 100% -os mikrohullámú teljesítményen 10 percig. Puha, száraz ruhával törölje tisztára a sütőt.

KONYHAESZKÖZÖK VIGYÁZAT

Személyi sérülés veszélye

A hozzáértő személyeken kívül bárki számára veszélyes minden olyan szervizelési vagy javítási művelet, amely során a mikrohullámú energiának való kitettség ellen védő burkolatot kell eltávolítani.

Lásd a „Mikrohullámú sütőben felhasználható vagy mikrohullámú sütőben kerülendő anyagok” című rész utasításait. Vannak nemfémes edények, amelyek mikrohullámú sütőben nem használhatók. Ha kétségei vannak, az alábbi eljárással tesztelheti a kérdéses eszközt.

Eszközvizsgálat

1. Töltsön fel egy mikrohullámú sütőben használható edényt 1 csésze hideg vízzel (250 ml) és tegye bele a kérdéses eszközt.
2. Sússe a maximális teljesítményen 1 percig.
3. Óvatosan fogja meg az eszközt. Ha az üres eszköz meleg, ne használja mikrohullámú sütőben.
4. Ne lépje túl az 1 perc sütési időt.

Mikrohullámú sütőben használható anyagok

Eszközök	Megjegyzések
Barnítóedény	Kövesse a gyártó utasításait. A barnítóedény aljának legalább 5 mm-rel a forgótányér felett kell lennie. Helytelen használat esetén a forgótányér eltörhet.
Étkészlet	Csak mikrohullámú sütőben használható eszközöket használjon. Kövesse a gyártó utasításait. Ne használjon repedt vagy törött edényeket.
Üvegedények	Mindig távolítsa el a fedelüket. Az ételt ilyen edényekben csak melegítse, ne forrósítsa. A legtöbb üvegedény nem hőálló, és eltörhet.
Üvegáru	Kizárólag hőálló üvegedényeket használjon. Győződjön meg róla, hogy nincs fémalkatrészük. Ne használjon repedt vagy törött edényeket.
Sütőtáskák	Kövesse a gyártó utasításait. Ne zárja fémkötőzővel. Vágjon réseket, hogy a gőz távozhasson.
Papírtányérok és poharak	Kizárólag rövid idejű főzéshez/felmelegítéshez használhatók. Ne hagyja a sütőt felügyelet nélkül sütés közben.
Papírtörő	A felmelegítendő étel letakarására és zsír felszívására használják. Csak felügyelet mellett, rövid idejű főzéshez használja.
Pergamenpapír	Fröccsenés ellen az étel letakarására, vagy gőzöléskor az étel becsomagolásához használja.
Műanyag	Csak mikrohullámú sütőben használható eszközöket használjon. Kövesse a gyártó utasításait. A mikrohullámú sütőben használható eszközök „Microwave Safe“ felirattal vannak ellátva. Néhány műanyag edény megpuhul, ahogy a benne lévő étel felforrósodik. A főzőtasakokat és a szorosan lezárt műanyag zacskókat a csomagolás utasításai szerint kell felválni, átszúrni vagy szellőztetni.
Műanyag fólia	Csak mikrohullámú sütőben használható eszközöket használjon. Sütés közben az étel lefedéséhez használják, hogy a nedvességet visszatartsa. Ne hagyja, hogy a műanyag csomagolás hozzáérjen az ételhez.
Hőmérők	Csak mikrohullámú sütőben használható (hús- és süteményhőmérők).
Viaszpapír	Fröccsenés ellen az étel letakarására, és a nedvesség visszatartására használja.

Kerülendő anyagok a mikrohullámú sütőben

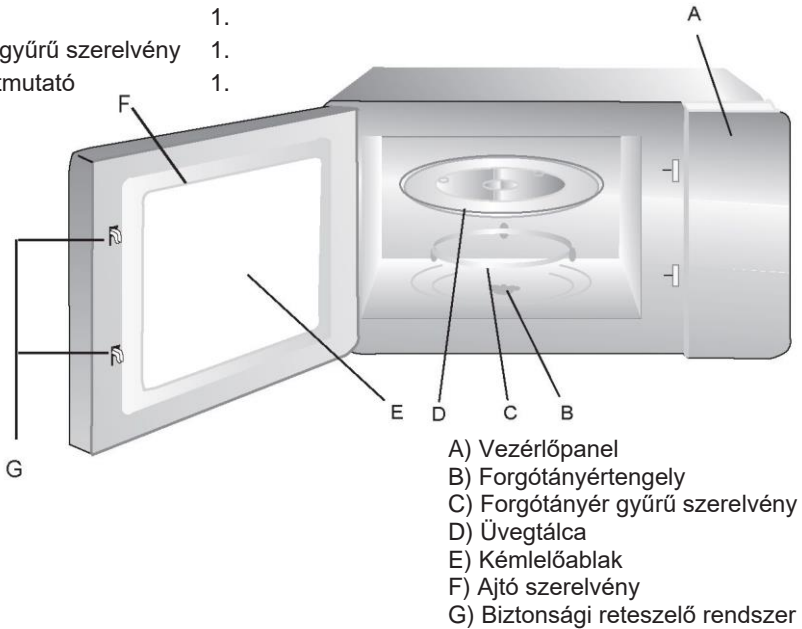
Eszközök	Megjegyzések
Alumínium tálca	Ívhúzást okozhat. Az ételt helyezze át mikrohullámú sütőben használható edénybe.
Élelmiszerdoboz fém fogantyúval	Ívhúzást okozhat. Az ételt helyezze át mikrohullámú sütőben használható edénybe.
Fém vagy fémalkatrészt tartalmazó edények	A fém leáramyékolja az ételt a mikrohullámú energiától. A fémalkatrészek ívhúzást okozhatnak.
Fém kötőzők	Ívhúzást okozhat, ami tüzet okozhat a sütőben.
Papírzacskók	Tűz keletkezhet a sütőben.
Hungarocell pohár	A magas hőmérsékletnek kitett hungarocell megolvadhat vagy beszenyezheti a benne lévő folyadékot.
Fa	A mikrohullámú sütőben történő használatkor a fa kiszárad, és kettéhasadhat vagy megrepedhet.

A SÜTŐ ÜZEMBE HELYEZÉSE

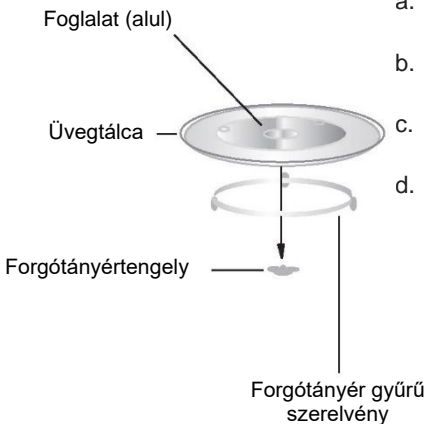
A sütőalkatrészek és -tartozékok neve

Vegye ki a sütőt, ill. az összes anyagot a dobozból és a sütőtérből. A sütő tartozékai a következők:

Üvegtálca	1.
Forgótányér gyűrű szerelvény	1.
Használati útmutató	1.



Forgótányér behelyezése



- Soha ne helyezze be az üvegtálcát fejjel lefelé. Az üvegtálca forgását soha nem szabad akadályozni.
- A sütéshez mindig használni kell az üvegtálcát és a forgótányérgyűrűt.
- Minden ételt és edényt az üvegtálcára kell helyezni főzéshez.
- Ha az üvegtálca vagy a forgótányér gyűrű szerelvénye megreped vagy eltörik, forduljon a legközelebbi hivatalos márkaszervizhez.

Telepítés konyhapultra

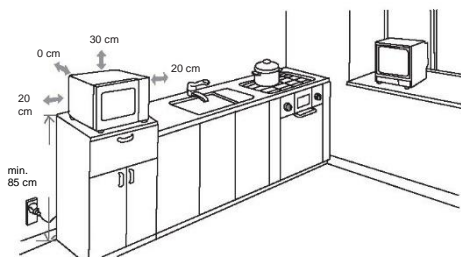
Távolítsa el az összes csomagolóanyagot és tartozékot. Vizsgálja meg a sütő épségét, hogy nincs-e rajta például horpadás vagy nem törött-e el az ajtaja. Ne telepítse, ha a sütő sérült.

Telepítés konyhaszekrénybe: Távolítsa el a mikrohullámú sütő szekrényének felületén található védőfóliákat.

Ne távolítsa el a magnetron védelme érdekében a sütőtérhez rögzített, világossárga csillámfedelelet.

Telepítés

1. Válasszon ki egy vízszintes felületet, amely elegendő szabad teret biztosít a szívó- és/vagy kimeneti nyílások számára.



(1) A minimális telepítési magasság 85 cm.

(2) A készülék hátsó felületét a falnak kell támasztani.

Hagyjon legalább 30 cm távolságot a sütő felett, ill. legalább 20 cm távolságot a sütő és a szomszédos falak között.

(3) Ne távolítsa el a lábakat a sütő aljáról.

(4) A bemeneti és/ vagy kimeneti nyílások eltakarása kárt tehet a sütőben!

(5) A sütőt a lehető legmesszebb helyezze el a rádiótól és a TV-től. A mikrohullámú sütő működése zavarhatja a rádió vagy a TV vételét.

2. Dugja be a sütőt egy szabványos hálózati csatlakozóaljzatba. Ellenőrizze, hogy a feszültség és a frekvencia megegyezik-e az adattáblán feltüntetett feszültséggel és frekvenciával.

FIGYELMEZTETÉS:

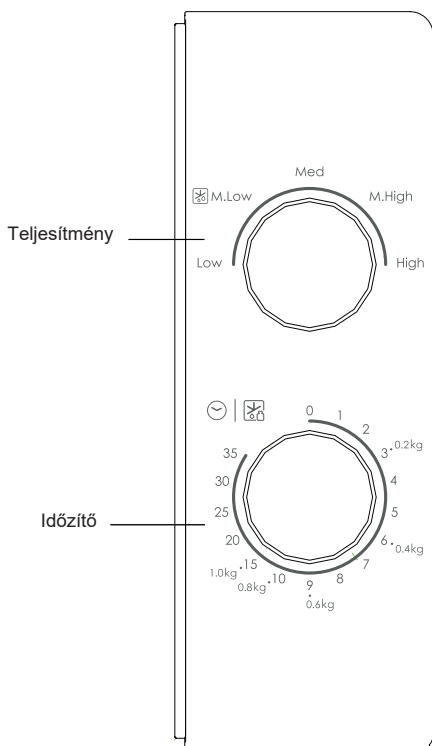
Ne helyezze a sütőt tűzhelyre vagy más hőfejlesztő készülékre. Ha hőforrás közelébe vagy fölé helyezi, a sütő megsérülhet, és a garancia érvényét veszti.

**A hozzá-
férhető felület
működés
közben forró
lehet.**



ÜZEMELTETÉS

A vezérlőpanel és a funkciók kezelési útmutatója



1. A főzőteljesítmény beállításához forgassa el a főkapcsolót a kívánt szintre.
2. A sütés idejének beállításához forgassa az időzítő gombot a kívánt időre az ételkészítési útmutató szerint.
3. A mikrohullámú sütő a teljesítményszint és az idő beállítását után automatikusan megkezdi a sütést.
4. A sütési idő letelte után a készülék hangjelzéssel leáll.
5. Ha a készülék nincs használatban, az időt mindig állítsa „0” értékre.

Funkció/teljesítmény	Kimenet	Alkalmazás
Low	119 W	Fagylalt puhítása
Med. Low (kiolvasztás)	231 W	Leves, főzelék melegítése, vaj lágyítása vagy kiolvasztás
Med.	385 W	Főzelék, hal
Med. High	539 W	Rizs, hal, csirke, darált hús
High	700 W	Felmelegítés, tej, vízforralás, zöldségek, italok

Megjegyzés: Amikor élelmiszert vesz ki a sütőből, gondoskodjon arról, hogy a sütő áramellátása ki legyen kapcsolva az időzítő kapcsoló 0 (nulla) állásba forgatásával.

Ennek elmulasztása és a mikrohullámú sütő étel nélküli működtetése túlmelegedést és a magnetron károsodását okozhatja.

Hibaelhárítás

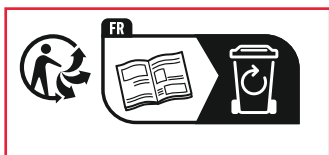
Normál	
A mikrohullámú sütő zavarja a TV vételét.	A mikrohullámú sütő működése zavarhatja a rádió és a TV vételét. Ez hasonló a kisebb elektromos készülékek, például mixer, porszívó vagy ventilátor által keltett zavarhoz. Ez normális jelenség.
A sütővilágítás fénye halvány.	Kis teljesítményű funkciók használatakor a sütő világítása elhalványulhat. Ez normális jelenség.
Gőz csapódik le az ajtón, forró levegő távozik a szellőzőnyílásokon.	A sütés során gőz szabadulhat fel az ételből. Ennek nagy része kijut a szellőzőnyílásokon. Bizonyos hányada azonban lecsapódhat a hidegebb felületeken, pl. a sütő ajtaján. Ez normális jelenség.
A sütőt véletlenül úgy indították el, hogy nem volt benne étel.	Tilos a berendezést étel nélkül működtetni. Ez nagyon veszélyes.

Probléma	Lehetséges ok	Elhárítás
A sütőt nem lehet bekapcsolni.	(1) A tápkábel nincs jól bedugva.	Húzza ki a konnektorból. Ezután 10 másodperc elteltével csatlakoztassa újra.
	(2) A biztosíték kiolvadt vagy a megszakító kioldott.	Cserélje ki a biztosítékot vagy kapcsolja vissza a megszakítót (a javítást bízva villanyszerelőre vagy cégünk szakemberére)
	(3) Hibás a hálózati aljzat.	Vizsgálja meg az aljzatot más elektromos készülékekkel.
A sütő nem melegít.	(4) Az ajtó nincs jól becsukva.	Zárja be jól az ajtót.

A készülék címkézése megfelel a 2013-as, elektromos és elektronikus berendezések hulladékaira (WEEE) vonatkozó 2012/19/EU európai irányelvnek. Az elektromos és elektronikus berendezések hulladékai tartalmaznak úgy szennyező anyagokat (amelyek a környezetre negatív hatást fejthetnek ki), mint alapanyagokat (amelyek újrahasznosíthatók). Fontos, hogy az elektromos és elektronikus berendezések hulladékai megfelelő kezelés tárgyát képezik a szennyező anyagok eltávolítása és semlegesítése, illetve az összes egyéb anyag visszanyerése érdekében. Az egyének fontos szerepet játszhatnak annak biztosításában, hogy az elektromos és elektronikus berendezések hulladékai ne váljanak környezeti problémává; fontos néhány alapvető szabály betartása:

- az elektromos és elektronikus berendezések hulladéka nem kezelhető háztartási hulladékként;
- az elektromos és elektronikus berendezések hulladékát kötelezően erre kijelölt gyűjtőpontban adja le, amelyet az önkormányzat vagy bejegyzett vállalat üzemeltet.

Számos országban elérhető lehet a nagy méretű elektromos és elektronikus berendezések hulladékainak a begyűjtése közvetlenül a háztartásból. Új berendezést vásárlásakor a régi berendezés visszaadható a forgalmazónak, aki térítésmentesen begyűjti, feltéve, ha a berendezés típusa és funkciója megegyezik a vásárolt készülékével.



Mikrobølgeovn

BETJENINGSVEJLEDNING

MODEL: CMW20SMW
CMW20SMB

Læs disse instruktioner omhyggeligt, før du bruger din mikrobølgeovn, og gem den omhyggeligt.
Hvis du følger instruktionerne, vil din ovn give dig mange års god funktion.

GEM DISSE INSTRUKTIONER OMHYGGELIGT

FORHOLDSREGLER FOR AT UNDGÅ MULIG UDSÆTTELSE FOR OVERDREVEN MIKROBØLGEENERGI

- (a) Forsøg ikke at betjene denne ovn med lågen åben, da dette kan resultere i skadelig udsættelse for mikrobølgeenergi. Det er vigtigt ikke at bryde eller pille ved sikkerhedslåsene.
- (b) Anbring ikke genstande mellem ovnens forside og lågen, og lad ikke snavs eller rengøringsrester samle sig på tætningsflader.
- (c) **ADVARSEL:** Hvis lågen eller lågens tætninger er beskadiget, må ovnen ikke betjenes, før den er blevet repareret af en kompetent person.

TILLÆG

Hvis apparatet ikke holdes ren, kan dets overflade blive nedbrudt og påvirke apparatets levetid og føre til en farlig situation.

Specifikationer

Model:	CMW20SMW/CMW20SMB
Nominal spænding:	230V~ 50Hz
Nominal indgangseffekt (mikrobølge):	1050 W
Nominal udgangseffekt (mikrobølge):	700 W
Ovnkapacitet:	20 L
Drejeskivens diameter:	Ø 255 mm
Udvendige dimensioner:	439.5*357.5*258.2mm
Nettovægt:	Ca. 10,2 kg

VIGTIGE SIKKERHEDSANVISNINGER

For at reducere risikoen for brand, elektrisk stød, personskade eller udsættelse for overdreven mikrobølgeovns energi, når du bruger dit apparat, skal du følge de grundlæggende forholdsregler, herunder følgende:

1. Læs og følg de specifikke: "FORHOLDSREGLER FOR AT UNDGÅ MULIG UDSÆTTELSE FOR OVERDREVEN MIKROBØLGEENERGI".
2. Dette apparat kan anvendes af børn over 8 år og af personer med nedsatte fysiske, sensoriske eller mentale evner eller med en manglende erfaring og viden, forudsat at de er under opsyn eller har modtaget vejledning i sikker brug af apparatet, samt at de forstår de farer, der er forbundet dermed. Børn må ikke lege med apparatet. Rengøring og vedligeholdelse må ikke udføres af børn uden opsyn.
3. Hold apparatet og dets ledning utilgængeligt for børn under 8 år.
4. Hvis lysnetledningen er beskadiget, skal den udskiftes af producenten, dennes serviceagent eller en lignende kvalificeret fagperson for at undgå fare.
5. ADVARSEL: Sørg for, at apparatet er slukket, før du udskifter lampen for at undgå risikoen for elektrisk stød.
6. ADVARSEL: Det er farligt for andre end en kompetent person at udføre service- eller reparationsarbejder, der omfatter fjernelse af et dæksel, der beskytter mod eksponering for mikrobølgeenergi.
7. ADVARSEL: Væsker og andre fødevarer må ikke opvarmes i lukkede beholdere, da de kan eksplodere.
8. Ved opvarmning af mad i plast- eller papirbeholdere skal du holde øje med ovnen på grund af muligheden for antændelse.

9. Brug kun redskaber, der er egnede til brug i mikrobølgeovne.
10. Hvis der kommer røg ud, skal du slukke eller tage stikket ud af stikkontakten og holde lågen lukket for at kvæle eventuelle flammer.
11. Mikrobølgeopvarmning af drikkevarer kan resultere i forsinket stødkogning, derfor skal der udvises forsigtighed ved håndtering af beholderen.
12. Indholdet af sutteflasker og glas med babymad skal omrøres eller rystes, og temperaturen kontrolleres før indtagelse for at undgå forbrændinger.
13. Æg i skal og hele hårdkogte æg må ikke opvarmes i mikrobølgeovne, da de kan eksplodere, selv efter at mikrobølgeopvarmningen er afsluttet.
14. Ovnen skal rengøres regelmæssigt, og eventuelle madrester skal fjernes.
15. Manglende rengøring af ovnen kan føre til nedbrydning af overfladen, hvilket kan påvirke apparatets levetid negativt og måske resultere i en farlig situation.
16. For at undgå overophedning må apparatet må ikke installeres bag en afdækningslåge. (Dette gælder ikke for apparater med afdækningslåge.)
17. Brug kun den temperatursonde, der anbefales til denne ovn. (for ovne med mulighed for at bruge en temperatursonde.)
18. Mikrobølgeovnen må ikke placeres i et skab, medmindre den er testet i et skab.
19. Mikrobølgeovnen skal betjenes med afdækningslåge åben. (til ovne med en afdækningslåge.)

20. Dette apparat er beregnet til brug i husholdninger og lignende miljøer som:
 - medarbejderkøkkener i butikker, på kontorer og andre arbejdsområder,
 - af kunder på hoteller og moteller og andre overnatningssteder,
 - gårde,
 - bed & breakfast og lignende.
21. Mikrobølgeovnen er beregnet til opvarmning af mad og drikke. Tørring af mad eller tøj og opvarmning af varmpuder, hjemmesko, svampe, fugtig klud og lignende kan medføre risiko for skader, antændelse eller brand.
22. Metalbøtter til mad og drikke er ikke tilladt under tilberedning i mikrobølgeovn.
23. Apparatet må ikke rengøres med en damprenser.
24. Apparatet er beregnet til at blive brugt fritstående.
25. Bagsiden af apparater skal placeres mod en væg.

**LÆS OMHYGGELIGT OG OPBEVAR TIL
FREMTIDIGE OPSLAG**

Jordforbindelse til at reducere risikoen for personskade

FARE

Fare for elektrisk stød
Berøring af nogle af de interne komponenter kan forårsage alvorlig personskade eller livsfare.
Skil ikke dette apparat ad.

ADVARSEL

Fare for elektrisk stød
Forkert brug af jordforbindelsen kan resultere i elektrisk stød.
Sæt ikke stikket i en stikkontakt, før apparatet er korrekt installeret og jordet.

Dette apparat skal have jordforbindelse. I tilfælde af en elektrisk kortslutning reducerer jordforbindelse risikoen for elektrisk stød ved at give en afledning til jord for den elektriske strøm.

Dette apparat er udstyret med en jordledning med et jordstik. Stikket skal sættes i en stikkontakt, der er korrekt installeret og jordet.

Kontakt en kvalificeret elektriker eller servicemand, hvis jordingsinstruktionerne

ikke er fuldstændigt forstået, eller hvis der er tvivl om, hvorvidt apparatet er korrekt jordet.

Hvis det er nødvendigt at bruge en forlængerledning, så brug kun en 3-ledet forlængerledning.

1. En kort strømforsyningsledning medfølger for at reducere risikoen ved at blive viklet ind i eller snuble over en længere ledning.
2. Hvis der bruges et langt ledningssæt eller forlængerledning:
 - 1) Den markerede elektriske værdi for ledningssættet eller forlængerledningen skal være mindst lige så høj som apparatets normerede elektriske specifikationer.
 - 2) Forlængerledningen skal være en 3-ledet ledning med jordforbindelse.
 - 3) Den lange ledning skal arrangeres, så den ikke ligger hen over disken eller bordpladen, hvor den kan trækkes i af børn eller snuble over utilsigtet.

RENGØRING

Sørg for at tage apparatet ud af strømforsyningen.

1. Rengør ovnrummet efter brug med en let fugtig klud.
2. Rengør tilbehøret på sædvanlig måde i sæbevand.
3. Lågekarm, tætningsliste og tilstødende dele skal rengøres omhyggeligt med en fugtig klud, når de er snavsede.
4. Brug ikke stærke slibende rengøringsmidler eller skarpe metalskrabere til at rengøre ovnlågens glas da de kan ridse overfladen, hvilket kan resultere i, at glasset knuses.
5. Rengøringstip ---Til lettere rengøring af hulrummets vægge, som den tilberedte mad kan røre ved: Læg en halv citron i en skål, tilsæt 300 ml (1/2 pint) vand og opvarm på 100 % mikrobølgeeffekt i 10 minutter. Tør ovnen ren med en blød, tør klud.

REDSKAB FORSIGTIG

Fare for personskade

Det er farligt for andre end en kompetent person at udføre service- eller reparationsarbejder, der omfatter fjernelse af et dæksel, der beskytter mod eksponering for mikrobølgeenergi.

Se vejledningen om "Materialer, du kan bruge eller skal undgå i mikrobølgeovn." Der kan være visse ikke-metal redskaber, som ikke er sikre at bruge til mikroovn. Hvis du er i tvivl, kan du teste det pågældende redskab ved at følge nedenstående fremgangsmåde.

Test af redskaber:

1. Fyld en mikrobølgefast beholder med 1 kop koldt vand (250 ml) sammen med det pågældende redskab.
2. Kog ved maksimal effekt i 1 minut.
3. Føl forsigtigt på redskabet. Hvis det tomme redskab er varmt, må det ikke bruges til madlavning i mikrobølgeovn.
4. Overskrid ikke 1 minuts tilberedningstid.

Materialer du kan bruge i mikrobølgeovn

Redskaber	Bemærkninger
Bruningsfad	Følg producentens instruktioner. Bunden af bruningsfadet skal være mindst 5 mm over drejeskiven. Forkert brug kan få drejeskiven til at gå i stykker.
Spisestel	Kun mikrobølgefast. Følg producentens instruktioner. Brug ikke revnede eller skårede tallerkener.
Glaskrucker	Tag altid låget af. Brug kun til at varme maden op, indtil den lige er varm. De fleste glaskrucker er ikke varmebestandige og kan gå i stykker.
Glasvarer	Kun faste glasvarer. Sørg for, at der ikke er nogen metalbeslag. Brug ikke revnede eller skårede tallerkener.
Stegeposer	Følg producentens instruktioner. Luk ikke med metalbånd. Snit huller for at lade dampen slippe ud.
Papirtallerkener og kopper	Brug kun til kortvarig kogning/opvarmning. Efterlad ikke ovnen uden opsyn under madlavning.
Papirhåndklæder	Bruges til at dække mad til for at genopvarme og absorbere fedt. Brug kun under opsyn til en kortvarig madlavning.
Pergamentpapir	Bruges som dæksel for at forhindre sprøjt eller som indpakning til dampning.
Plast	Kun mikrobølgefast. Følg producentens anvisninger. Skal være mærket "Mikrobølgefast". Nogle plastikbeholdere bliver bløde, når maden indeni bliver varm. "Kogeposer" og tæt lukkede plastikposer skal skæres, gennembøres eller udluftes som anvist af pakken.
Plastfilm	Kun mikrobølgefast. Bruges til at dække maden til under tilberedningen for at holde på fugten. Lad ikke plastikfolie røre ved maden.
Termometre	Kun mikrobølgefaste (kød- og sliktermometre).
Vokspapir	Bruges som afdækning for at forhindre sprøjt og holde på fugten.

Materialer, der skal undgås i mikrobølgeovn

Redskaber	Bemærkninger
Aluminiumsbakke	Kan forårsage gnistdannelse. Overfør maden til et mikrobølgefast fad.
Madkarton med metalhåndtag	Kan forårsage gnistdannelse. Overfør maden til et mikrobølgefast fad.
Metal- eller metalbeklædte redskaber	Metal beskytter maden mod mikrobølgeenergi. Metalbeklædning kan forårsage gnistdannelse.
Vridelukkebånd af metal	Kan forårsage gnistdannelse og forårsage brand i ovnen.
Papirposer	Kan forårsage brand i ovnen.
Plastskum	Plastskum kan smelte eller forurene væsken indeni, når det udsættes for høje temperaturer.
Træ	Træ vil tørre ud, når det bruges i mikrobølgeovnen, og kan flække eller revne.

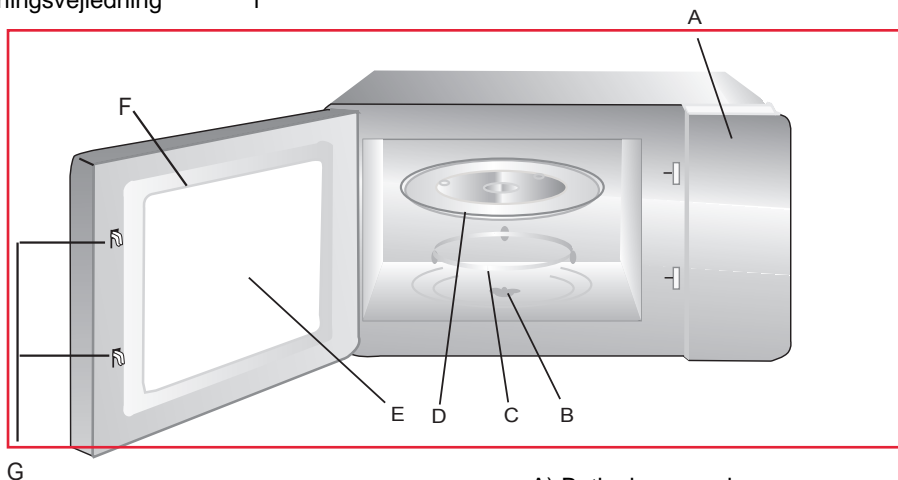
OPSÆTNING AF DIN OVN

Navne på ovndele og tilbehør

Fjern ovnen og alle materialer fra kassen og ovnrummet.

Din ovn leveres med følgende tilbehør:

Glasbakke	1
Drejeskivering	1
Betjeningsvejledning	1



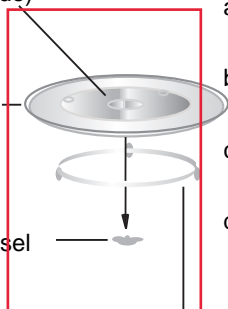
- A) Betjeningspanel
- B) Drejeskiveaksel
- C) Drejeskivering
- D) Glasbakke
- E) Overvågningsvindue
- F) Låge
- G) Sikkerhedslåsesystem

Installation af drejeskive

Nav (underside)

Glasbakke

Drejeskiveaksel



Drejeskivering

- a. Stil aldrig glasbakken på hovedet. Glasbakkens rotation må aldrig blokeres.
- b. Både glasbakke og drejeskivering skal altid bruges under madlavningen.
- c. Al mad og beholdere med mad placeres altid på glasbakken til madlavning.
- d. Kontakt dit nærmeste autoriserede servicecenter, hvis glasbakken eller drejeringen revner eller går i stykker.

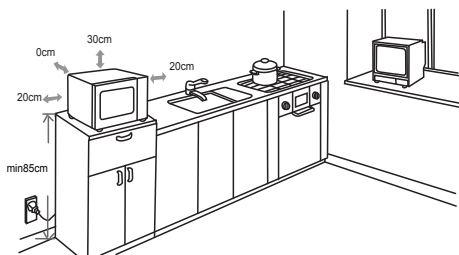
Montering på bordplade

Fjern alt emballagemateriale og tilbehør. Undersøg ovnen for eventuelle skader såsom buler eller ødelagt låge. Må ikke installeres, hvis ovnen er beskadiget.

Ovnrum: Fjern eventuel beskyttelsesfilm fra overfladen af mikrobølgeovnens rum. Fjern ikke det lysebrune metallicfarvede dæksel, der er monteret i ovnrummet for at beskytte magnetronen.

Installation

1. Vælg en plan overflade, der giver tilstrækkelig åben plads til indsugnings- og/eller afgangsventilerne.



- (1) Minimum monteringshøjde er 85 cm.
- (2) Apparatets bagside skal placeres mod en væg. Efterlad en minimumsafstand på 30 cm over ovnen, en minimumsafstand på 20 cm er påkrævet mellem ovnen og eventuelle tilstødende vægge.
- (3) Fjern ikke benene fra bunden af ovnen.
- (4) Blokering af indsugnings- og/eller udløbsåbninger kan beskadige ovnen.

- (5) Placer ovnen så langt væk fra radioer og tv som muligt. Betjening af mikrobølgeovnen kan forårsage interferens med din radio- eller tv-modtagelse.
2. Tilslut din ovn til en almindelig stikkontakt. Sørg for, at spændingen og frekvensen svarer til spændingen og frekvensen på mærkepladen.

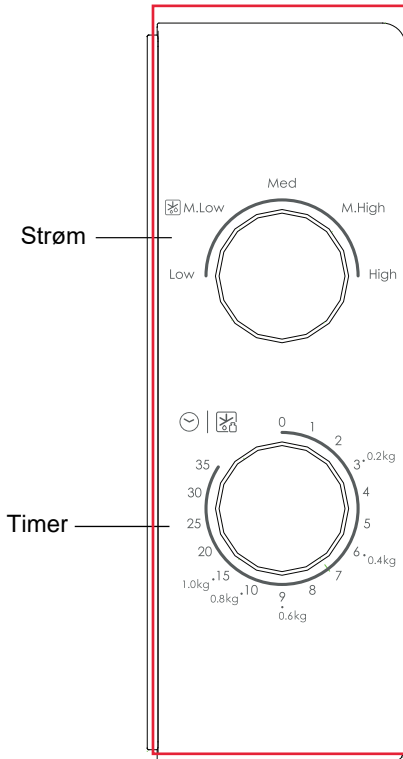
ADVARSEL: Installer ikke ovnen over en kogeplade eller andre varmeafgivende apparater. Hvis den installeres i nærheden af eller over en varmekilde, kan ovnen blive beskadiget, og garantien bortfalder.

Den tilgængelige overflade kan være varm under drift.



BETJENING

Kontrolpanel og funktioner Betjeningsvejledning



1. Til at indstille tilberedningseffekten ved at dreje strømknappen til det ønskede niveau.
2. Til at indstille tilberedningstiden ved at dreje timerknappen til den ønskede tid i henhold til din opskrift eller anvisning til maden.
3. Mikrobølgeovnen starter automatisk tilberedningen, når effektniveauet og tiden er indstillet.
4. Når tilberedningstiden er udløbet, vil enheden "Dong" for at stoppe.
5. Hvis enheden ikke er i brug, skal tiden altid indstilles til "0".

Funktion/effekt	Afgivet effekt	Anvendelse
Low	119W	Blødgøre is
Med. Low (optøning)	231W	Suppe gryderet, blødgøre smør eller optø
Med.	385W	Gryderet, fisk
Med. High	539W	Ris, fisk, kylling, hakket kød
High	700W	Genopvarmning, mælk, koge vand, grøntsager, drikkevarer

Bemærk: Når du tager mad ud af ovnen, skal du sørge for, at ovnen er slukket ved at dreje timer-kontakten til 0 (nul).

Hvis dette undlades, og mikrobølgeovnen kommer til at køre uden mad i, kan det resultere i overophedning og beskadigelse af magnetronen.

Fejlfinding

Normal	
Mikrobølgeovnen forstyrrer tv-modtagelse	Radio- og tv-modtagelse kan blive forstyrret, når mikrobølgeovnen er i drift. Det ligner forstyrrelsen fra små el-apparater, som mixer, støvsuger og elektrisk ventilator. Det er normalt.
Dæmp ovnlys	Ved mikrobølgetilberedning på lav effekt kan ovnlyset blive svagt. Det er normalt.
Damp samler sig på lågen, varm luft kommer ud af ventilationsåbninger	Ved madlavning kan der komme damp ud af maden. Det meste vil komme ud af ventilationsåbningerne. Men noget kan samle sig på et køligt sted som ovnlågen. Det er normalt.
Ovnen startede ved et uheld uden mad i.	Det er forbudt at køre enheden uden mad indeni. Det er meget farligt.

Problemer	Mulig årsag	Afhjælpning
Ovnen kan ikke startes.	(1) Netledningen er ikke sat korrekt kontakten.	Tag stikket ud. Tilslut derefter igen efter 10 sekunder.
	(2) Sikringen springer, eller afbryderen udløses.	Udskift sikring eller nulstil afbryderen (repareret af professionelt personale fra vores virksomhed)
	(3) Problemer med stikkontakten.	Test stikkontakten med andre elektriske apparater.
Ovnen varmer ikke.	(4) Lågen er ikke lukket korrekt.	Luk lågen omhyggeligt.



Dette apparat er mærket i overensstemmelse med det europæiske direktiv 2012/19/EU om bortskaffelse af elektrisk og elektronisk udstyr 2013 vedrørende elektriske og elektroniske apparater (WEEE). WEEE indeholder både forurenende stoffer (som kan have en negativ indvirkning på miljøet) og grundelementer (som kan genbruges). Det er vigtigt, at WEEE-udstyret gennemgår specifikke behandlinger for at fjerne og bortskaffe de forurenende stoffer korrekt og genvinde alle materialerne. Den enkelte privatperson kan spille en vigtig rolle for at sikre, at WEEE-udstyr ikke bliver et miljøproblem. Det er vigtigt at følge nogle få grundlæggende regler:

- WEEE-udstyr må ikke behandles som husholdningsaffald.
- WEEE-udstyr skal medbringes til dedikerede indsamlingsområder, der forvaltes af kommunen eller en registreret virksomhed.

I mange lande kan der være indsamling af storskrald til stort WEEE-udstyr. Når du køber et nyt apparat, kan det gamle returneres til leverandøren, som skal modtage det uden beregning, så længe apparatet er af samme type og har samme funktioner som det købte.



Mikroaaltouuni

KÄYTTÖOHJE

MALLI: CMW20SMW
CMW20SMB

Lue nämä ohjeet huolellisesti ennen mikroaaltouunin käyttöä ja pidä ne tallessa.

Jos noudatat ohjeita, voit nauttia uunisi moitteettomasta palvelusta monen vuoden ajan.

SÄILYTÄ NÄMÄ OHJEET HUOLELLISESTI

VAROITUS: LIIALLISELLE MIKROALTOENERGIALLE ALTISTUMISEN ESTÄMISEKSI

- (a) Älä käytä tätä uunia ovi auki, koska käyttö oven ollessa auki voi aiheuttaa haitallista altistumista mikroaltoenergialle. On tärkeää, että turvalukituksia ei poisteta tai peukaloida.
- (b) Älä aseta mitään esineitä uunin etupinnan ja oven väliin äläkä anna lian tai puhdistusainejäämien kertyä tiivistepinnoille.
- (c) VAROITUS: Laitetta ei saa käyttää ennen kuin pätevä henkilö on korjannut sen, jos sen ovi tai oven tiivisteet ovat vahingoittuneet.

LISÄYS

Jos laitetta ei pidetä puhtaana, sen pinta voi kärsiä, mikä voi laitteen käyttöikään sekä johtaa vaaratilanteeseen.

Tekniset tiedot

Malli:	CMW20SMW / CMW20SMB
Nimellisjännite:	230 V~ 50 Hz
Nimellinen tehonsyöttö (mikroaaltouuni):	1 050 W
Nimellislähtöteho (mikroaaltouuni):	700 W
Uunin tilavuus:	20 l
Pyörivän alustan halkaisija:	Ø 255 mm
Ulkomitat:	439.5*357.5*258.2mm
Nettopaino:	Noin 10,2 kg

TÄRKEITÄ TURVALLISUUSOHJEITA

Noudata laitetta käytettäessä tulipalon, sähköiskun, henkilövahinkojen tai liiallisen mikroaaltouunienergialle altistumisen riskin vähentämiseksi perusvarotoimenpiteitä, mukaan lukien seuraavia:

1. Lue seuraavat ohjeet ja noudata niitä:
VAROTOIMENPITEET LIALLISELLE MIKROAALTOENERGIALLE ALTISTUMISEN ESTÄMISEKSI
2. Vähintään 8-vuotiaat lapset ja henkilöt, joiden fyysiset, aisteihin liittyvät tai henkiset kyvyt ovat alentuneet tai joilla ei ole aiheeseen liittyvää kokemusta ja tietoa, voivat käyttää laitetta edellyttäen, että heitä valvotaan tai heille annetaan ohjeet laitteen käyttöön turvallisella tavalla ja he ymmärtävät vaaratekijät. Lapset eivät saa leikkiä laitteella. Lapset eivät saa puhdistaa laitetta tai suorittaa käyttäjän ylläpitotoimia ilman valvontaa.
3. Pidä laite ja sen johto alle 8-vuotiaiden lasten ulottumattomissa.
4. Jos virtajohto on vaurioitunut, valmistajan, sen huoltoedustajan tai vastaavan ammattitaitoisen henkilön on vaihdettava se vaaran välttämiseksi.
5. **VAROITUS:** Varmista, että laite on sammutettu ennen lampun vaihtamista, jotta sähköiskun mahdollisuus vältetään.
6. **VAROITUS:** Kenenkään muun kuin pätevän koulutuksen saaneen henkilön ei tule tehdä laitteelle mitään huolto- tai korjaustoimia, jotka edellyttävät laitteen minkään sellaisen kuoren osan poistamista, mikä suojaa altistumiselta mikroaaltouunienergialle.
7. **VAROITUS:** Nesteitä ja muita ruokia ei saa kuumentaa suljetuissa astioissa, sillä ne voivat räjähtää.

8. Kun lämmität ruokaa muovi- tai paperiastioissa, tarkista uuni usein syttymisvaaran vuoksi.
9. Käytä vain astioita, jotka soveltuvat mikroaaltouunikäyttöön.
10. Jos laitteesta nousee savua, kytke laite pois päältä tai irrota se pistorasiasta ja pidä luukku suljettuna mahdollisten liekkien tukahduttamiseksi.
11. Nesteiden kuumentaminen mikroaaltouunilla voi aiheuttaa nesteen voimakkaan viivästyneen kiehuntareaktion. Muista siis käsitellä astioita varovaisesti.
12. Ruokintapullojen ja lastenruokatölkkien sisältöä on palovammojen välttämiseksi sekoitettava tai ravistettava ja lämpötila on tarkistettava ennen tarjoamista lapselle.
13. Raakoja kananmunia ei tule kuumentaa kuorineen uunissa. Myöskään kokonaisia kovaksi keitettyjä munia ei saa lämmitellä uunissa, koska ne voivat räjähtää myös kuumentamisen jälkeen.
14. Uuni on puhdistettava säännöllisesti ja mahdolliset ruokakertymät on poistettava.
15. Jos uunia ei pidetä aina puhtaana, sen pinta voi huonontua ja tämän seurauksena laitteen käyttöikä voi lyhentyä. Myös vaaratilanteita saattaa syntyä.
16. Ylikuumenemisen välttämiseksi laitetta ei saa asentaa sisustusoven taakse. (Tämä ei koske laitteita, joissa on sisustusovi.)
17. Käytä vain tälle uunille suositeltua lämpötila-anturia. (uuneissa, joissa on mahdollisuus käyttää lämpötila-anturia.)
18. Mikroaaltouunia ei saa sijoittaa kaappiin, ellei sitä ole testattu kaapissa.
19. Mikroaaltouunia on käytettävä siten, että sisustusovi on auki (jos uunissa on sisustusovi).

20. Tämä laite on tarkoitettu käytettäväksi kotitalouksissa ja vastaavissa olosuhteissa, kuten:
 - henkilökunnan keittiötiloissa myymälöissä, toimistoissa ja muilla työpaikoilla
 - hotellien, motellien ja muiden asuintyyppisten ympäristöjen asiakaskäytössä
 - maataloilla
 - majoitusympäristöissä (Bed&Breakfast).
21. Mikroaaltouuni on tarkoitettu ainoastaan ruokien ja nesteiden lämmittämiseen. Ruokien tai vaatteiden kuivaaminen, lämpötyynyjen, aamutossujen, sienien, kosteiden kankaiden ja vastaavien tuotteiden lämmittäminen mikroaaltouunilla voi aiheuttaa loukkaantumisen, syttymisen tai tulipalon.
22. Metallisia välineitä tai metallipinnoitettuja astioita ei tule käyttää.
23. Laitetta ei saa puhdistaa höyrypuhdistimella.
24. Laite on tarkoitettu käytettäväksi vapaasti seisovana.
25. Laitteiden takapinta on sijoitettava seinää vasten.

**LUE HUOLELLISESTI JA SÄILYTÄ MYÖHEMPÄÄ
KÄYTTÖÄ VARTEN**

Vähentää henkilövahinkojen riskiä maadoitusasennuksissa

VAARA

Sähköiskun vaara Joidenkin sisäisten osien koskettaminen voi aiheuttaa vakavan henkilövahingon tai kuoleman. Älä pura tätä laitetta.

VAROITUS

Sähköiskun vaara Maadoituksen virheellinen käyttö voi aiheuttaa sähköiskun. Älä kytke pistorasiaan ennen kuin laite on asennettu ja maadoitettu oikein.

Tämä laite on maadoitettava. Oikosulkutapauksessa maadoitus vähentää sähköiskun vaaraa, sillä se johtaa sähkövirran muualle. Uuni on varustettu johdolla, jossa on maadoitusjohdin ja maadoitettu pistoke. Pistoke on kytkettävä pistorasiaan, joka on oikein asennettu ja maadoitettu.

Ota yhteyttä pätevään sähköasentajaan tai huoltohenkilöstöön, jos maadoitusohjeita ei täysin ymmärretä tai jos on epävarmaa, että laite on maadoitettu oikein.

Jos on tarpeen käyttää jatkojohtoa, käytä vain 3-johtimista jatkojohtoa.

1. Mukana on lyhyt virtajohto, joka vähentää riskejä, jotka aiheutuvat pitkän johdon sotkeutumisesta tai siihen kompastumisista.

2. Jos käytetään pitkää johtosarjaa tai jatkojohtoa:

1) Johtosarjaan tai jatkojohtoon merkitys sähkön nimellistehon on oltava vähintään yhtä suuri kuin laitteen nimellisteho.

2) Jatkojohdon on oltava maadoitustyyppinen 3-johtiminen johto.

3) Pitkä johto on sijoitettava siten, että se ei ole roiku työtason tai pöydän reunan yli, jotta lapset eivät voi vetää johdosta tai kompastua siihen.

PUHDISTUS

Irrota laite virtalähteestä.

1. Puhdista uunin sisäosa käytön jälkeen hieman kostealla liinalla.
2. Puhdista lisävarusteet tavalliseen tapaan saippuavedellä.
3. Oven runko ja tiiviste sekä viereiset osat on puhdistettava huolellisesti kostealla liinalla, kun ne ovat likaisia.
4. Älä puhdista uunin lasiluukkuja voimakkailla hankaavilla puhdistusaineilla tai terävillä metallikaapimilla, koska ne voivat naarmuttaa pintaa, mikä voi johtaa lasin säröilyyn.
5. Puhdistusvinkki, joka helpottaa uunin sellaisten sisäseinien puhdistusta, jotka voivat olla kosketuksissa ruokaan: Laita puolikas sitruuna kulhoon, lisää 300 ml vettä ja kuumenna täydellä teholla 10 minuutin ajan. Pyyhi uuni puhtaaksi pehmeällä, kuivalla liinalla.

VÄLINEET

HUOMIO

Henkilövahinkojen vaara

Kenenkään muun kuin pätevän koulutuksen saaneen henkilön ei tule tehdä laitteelle mitään huolto- tai korjaustoimia, jotka edellyttävät laitteen minkään sellaisen kuoren osan poistamista, mikä suojaa altistumiselta mikroaltoaenergialle.

Katso ohjeet kohdasta Materiaalit, joita voit käyttää mikroaaltouunissa tai joita tulee välttää mikroaaltouunissa. Tiettyjä ei-metallisia välineitä ei ole turvallista käyttää mikroaaltouunissa. Jos olet epävarma, voit testata kyseisen astian alla olevan menettelyn mukaisesti.

Välinetesti:

1. Täytä mikronkestävä astia 1 kupillisella kylmää vettä (250 ml) kyseisen välineen kanssa.
2. Kuumenna täydellä teholla 1 minuutin ajan.
3. Kokeile välinettä varovasti kädellä. Jos tyhjä väline on lämmin, älä käytä sitä mikroaaltouunissa.
4. Älä ylitä 1 minuutin kuumennusaikaa.

Materiaalit, joita voit käyttää mikroaaltouunissa

Välineet	Huomautukset
Ruskistusastia	Noudata valmistajan ohjeita. Ruskistusastian pohjan ja pyörivän alustan välissä on oltava vähintään 5 mm:n rako. Virheellinen käyttö voi aiheuttaa pyörivän alustan rikkoutumisen.
Ruokailuvälineet	Vain mikronkestävät välineet. Noudata valmistajan ohjeita. Älä käytä astioita, joissa on halkeamia tai joista on lohjennut palasia.
Lasipurkit	Poista kansi aina. Käytä vain ruoan lämmittämiseen, kunnes ruoka on hieman lämmin. Useimmat lasipurkit eivät ole lämmönkestäviä ja voivat rikkoutua.
Lasitavarat	Ainoastaan lämmönkestävät uunilasiesineet. Varmista, että niissä ei ole metallisia osia. Älä käytä astioita, joissa on halkeamia tai joista on lohjennut palasia.
Uunipussit	Noudata valmistajan ohjeita. Älä sulje metallisilla sulkimilla. Tee reikiä, jotta höyry pääsee poistumaan.
Paperilautaset ja -kupit	Käytä vain lyhytaikaiseen kypsentämiseen/lämmittämiseen. Älä jätä uunia ilman valvontaa ruoanlaiton aikana.
Paperipyyhkeet	Voit peittää uudelleen lämmitettävän ruuan paperipyyhkeellä tai käyttää sitä rasvan imeyttämiseen. Käytä vain lyhytaikaiseen kypsentämiseen. Älä jätä ilman valvontaa.
Leivinpaperi	Käytä suojana roiskumisen estämiseksi tai kääreenä höyrytyksessä.
Muovi	Vain mikronkestävät välineet. Noudata valmistajan ohjeita. Muovissa tulisi olla merkintä siitä, että soveltuu käytettäväksi mikroaaltouunissa. Jotkut muovipakkaukset pehmenevät, kun niiden sisällä oleva ruoka lämpenee. Keittopusseihin ja tiiviisti suljettuihin muovipusseihin tulee tehdä pakkauksen ohjeiden mukaisesti viiltoja tai reikiä tai niiden ilman vaihtuminen tulee järjestää jollakin muulla tapaa.
Muovikelmu	Vain mikronkestävät välineet. Käytä ruoan peittämiseen ruoanvalmistuksen aikana kosteuden säilyttämiseksi. Älä anna muovikäreen koskettaa ruokaa.
Lämpömittarit	Vain mikronkestävät mittarit (liha- ja makeislämpömittarit).
Vahapaperi	Käytä suojana roiskumisen estämiseksi ja kosteuden säilyttämiseksi.

Materiaalit, joiden käyttöä mikroaaltouunissa tulisi välttää

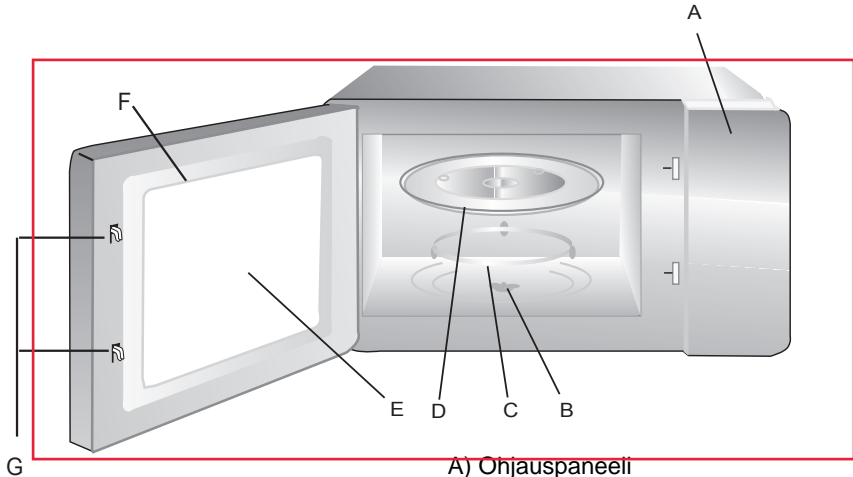
Välineet	Huomautukset
Alumiinitarjotin	Voi aiheuttaa valokaaren. Siirrä ruoka mikronkestävään astiaan.
Elintarvikepakkaus metallikahvalla	Voi aiheuttaa valokaaren. Siirrä ruoka mikronkestävään astiaan.
Metalliset tai metallisomisteiset välineet	Metalli suojaa ruokaa mikroaaltoenergialta. Metallisomisteet voivat aiheuttaa valokaaren.
Metallisulkimet	Voivat aiheuttaa valokaaren ja tulipalon uunissa.
Paperipussit	Voi aiheuttaa tulipalon uunissa.
Muovivahto	Muovivahto voi sulaa tai saastuttaa sisällä olevan nesteen, kun vahto altistetaan korkealle lämpötilalle.
Puu	Puu kuivuu, kun sitä käytetään mikroaaltouunissa, ja se voi halkeilla.

UUNIN VALMISTELU

Uunin osien ja lisävarusteiden nimet

Poista uuni ja kaikki materiaalit pakkauksesta ja poista uunin sisällä olevat esineet. Uunin mukana tulee seuraavat lisävarusteet:

Lasialusta	1
Pyörivän alustan rengaskokoonpano	1
Käyttöohje	1



- A) Ohjauspaneeli
 B) Pyörivän alustan akseli
 C) Pyörivän alustan rengaskokoonpano
 D) Lasialusta
 E) Ikkuna
 F) Ovikokoonpano
 G) Turvalukitusjärjestelmä

Pyörivän alustan asennus

Napa (alapuoli)

Lasialusta

Pyörivän alustan akseli

Pyörivän alustan rengaskokoonpano

- Älä koskaan aseta lasitarjontia ylösalaisin. Lasiastian liikettä ei saa koskaan rajoittaa.
- Kypsennyksen aikana tulee aina käyttää sekä lasialustaa että pyörivän alustan rengaskokoonpanoa.
- Kaikki ruoat ja astiat asetetaan aina lasialustan päälle.
- Jos lasialusta tai pyörivän alustan rengaskokoonpano halkeaa tai rikkoutuu, ota yhteyttä lähimpään valtuutettuun huoltokeskukseen.

Asennus pöytätasolle

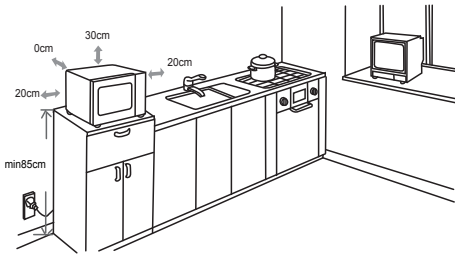
Poista kaikki pakkausmateriaali ja lisävarusteet. Tarkista uuni vaurioiden, kuten lommojen tai rikkoutuneen oven varalta. Älä asenna, jos uuni on vaurioitunut.

Pinnat: Poista mikroaaltouunin pinnalta suojakalvo.

Älä poista uunin sisällä magnetronin suojana olevaa vaaleanruskeaa Mica-kantta.

Asennus

1. Valitse tasainen pinta, jossa on riittävästi tilaa ilman sisäänotto- ja poistoaukoille.



(1) Pienin asennuskorkeus on 85 cm.

(2) Laitteen takapinta on sijoitettava seinää vasten. Jätä uunin yläpuolelle tilaa vähintään 30 cm, uunin ja viereisten seinien välillä on oltava vähintään 20 cm tilaa.

(3) Älä irrota jalkoja uunin pohjasta.

(4) Sisäänotto- ja/ tai poistoaukkojen tukkeutuminen voi vahingoittaa uunia.

(5) Aseta uuni mahdollisimman kauas radiosta ja televisiosta. Mikroaaltouunin käyttö voi häiritä radion tai television signaalin vastaanottoa.

2. Kytke uuni tavalliseen kotitalouspistorasiaan. Varmista, että jännite ja taajuus ovat samat kuin arvokilven jännite ja taajuus.

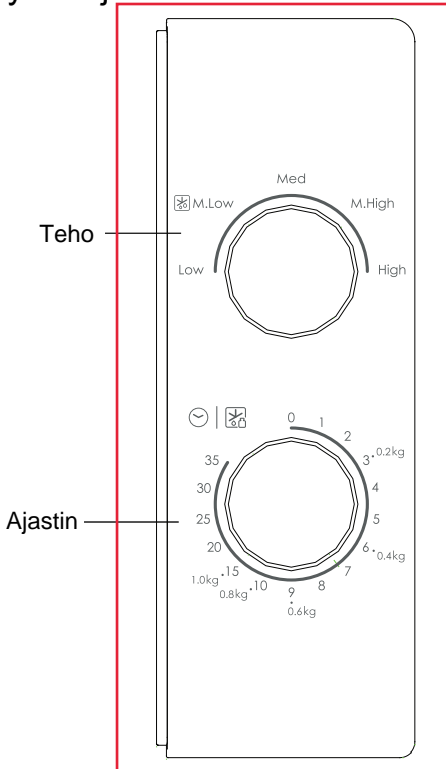
VAROITUS: Älä asenna uunia keittotason tai muun lämpöä tuottavan laitteen yläpuolelle. Jos uuni asennetaan lämmönlähteen lähelle tai päälle, se voi vaurioitua, ja takuu raukeaa.

Käyttäjän kosketeltavissa olevat pinnat voivat olla käytön aikana kuumia.



KÄYTTÖ

Ohjauspaneeli ja ominaisuudet Käyttöohjeet



1. Valitse kypsennysteho kiertämällä tehonvalitsinta.
2. Valitse kypsennysaika kiertämällä ajastinta ruoanvalmistusohjeen mukaiseen suositeltuun aikaan.
3. Mikroaaltouuni alkaa toimia automaattisesti, kun tehotaso ja aika on asetettu.
4. Kun kypsennysaika on päättynyt, laitteesta kuuluu merkkiäänä ja se pysähtyy.
5. Asetan ajaksi aina 0, kun mikroaaltouuni ei ole käytössä.

Toiminto/Virta	Lähtö	Käyttötarkoitus
Low	119 W	Jäätelön pehmentäminen
Med. Low (sulatus)	231 W	Keitot, muhennokset, voin pehmentäminen tai pakasteiden sulatus
Med.	385 W	Pataruuat, kala
Med. High	539 W	Riisi, kala, broileri, jauheliha
High	700 W	Uudelleenlämmitys, maito, veden keittäminen, vihannekset, juomat

Huomautus: Kun poistat ruokaa uunista, varmista, että uunin virta katkaistaan kääntämällä ajastimen kytkin asentoon 0 (nolla). Jos näin ei tehdä, ja mikroaaltouunia käytetään siten, että sen sisällä ei ole ruokaa, mikroaaltouunin magnetroni voi ylikuumentua ja vaurioitua.

Vianmääritys

Normaali	
Mikroaaltouuni häiritsee TV-vastaanottoa.	Radio- ja TV-signaalin vastaanotto voi häiriintyä, kun mikroaaltouuni toimii. Häiriö on samanlainen pienten sähkölaitteiden, kuten keittiökoneen, pölynimurin ja sähkötuulettimen, aiheuttamat häiriöt. Se on normaalia.
Uunin valo himmenee.	Uunin käydessä pienellä teholla sen valo voi himmetä. Se on normaalia.
Oveen kerääntyy höyryä, ilma-aukoista tulee kuumaa ilmaa.	Ruoan kypsentyminen voi vapauttaa höyryä. Suurin osa höyrystä tulee ulos ilma-aukkojen kautta. Osa voi kuitenkin tiivistyä viileään paikkaan, kuten uunin oveen. Se on normaalia.
Uuni käynnistettiin vahingossa ilman ruokaa.	Mikroaaltouunia ei saa koskaan käyttää tyhjänä. Se on erittäin vaarallista.

Ongelma	Mahdollinen syy	Korjaus
Uuni ei käynnisty.	(1) Pistoke ei ole kunnolla pistorasiassa.	Irrota pistoke. Odota 10 sekuntia ja laita se takaisin pistorasiaan.
	(2) Sulake on palanut tai automaattisulake lauennut.	Vaihda sulake tai nollaa katkaisija (yrityksemme ammattitaitoinen henkilöstö korjaa sen)
	(3) Ongelmia pistorasian kanssa.	Testaa pistorasiaa muiden sähkölaitteiden kanssa.
Uuni ei lämmitä.	(4) Ovi ei ole kunnolla kiinni.	Sulje ovi hyvin.



Tämä laite on merkitty sähkö- ja elektroniikkalaiteromua (WEEE) koskevien EU-direktiivin 2012/19/EU mukaisesti. Sähkö- ja elektroniikkaromussa on sekä pilaantuvia aineita, jotka voivat vaikuttaa ympäristöön haitallisesti, että perusaineita (joita voidaan käyttää uudelleen). On tärkeää, että sähkö- ja elektroniikkaromu käsitellään oikein, jotta epäpuhtaudet voidaan poistaa ja hävittää ja kaikki materiaalit ottaa talteen. Yksilöillä voi olla tärkeä rooli sen varmistamisessa, että sähkö- ja elektroniikkaromusta ei tule ympäristöongelmaa. Sen vuoksi on tärkeää noudattaa muutamaa perussääntöä:

- sähkö- ja elektroniikkaromua ei tule käsitellä kotitalousjätteenä
- sähkö- ja elektroniikkaromu on vietävä kunnan tai rekisteröidyn yrityksen hallinnoimille omille keräysalueille.

Monissa maissa voi olla saatavilla keräyspisteitä kotitalouksien suurta sähkö- ja elektroniikkaromua varten. Kun ostat uuden laitteen, vanha laite voidaan palauttaa kauppiaille, jonka on otettava se vastaan ilmaiseksi kertaluonteisesti, kunhan laite on samantyyppinen ja toimii samalla tavalla kuin hankittu laite.



Mikrobølgeovn

BRUKERHÅNDBOK

MODELL: CMW20SMW
CMW20SMB

Les disse instruksjonene nøye før du bruker mikrobølgeovnen, og oppbevar den nøye.
Følger du instruksjonene vil ovnen din gi deg mange års god service.

LAGRE DISSE INSTRUKSJONENE NØYE

FORHOLDSREGLER FOR Å UNNGÅ MULIG EKSPONERING FOR MYE MIKROBØLGEENERGI

- (a) Ikke forsøk å bruke denne ovnen med døren åpen, siden dette kan føre til skadelig eksponering for mikrobølgeenergi. Det er viktig å ikke ødelegge eller tukle med sikkerhetslåsene.
- (b) Ikke plasser gjenstander mellom ovnens forside og døren, og ikke la skitt eller rester av rengjøringsmidler samle seg på tetningsflatene.
- (c) **ADVARSEL:** Hvis døren eller dørpakningene er skadet, må ovnen ikke brukes før den er reparert av en kompetent person.

TILLEGG

Hvis apparatet ikke holdes i god renholdstilstand, kan overflaten bli forringet og påvirke apparatets levetid og føre til en farlig situasjon.

Spesifikasjoner

Modell:	CMW20SMW/CMW20SMB
Merkespenning:	230 V ~ 50 Hz
Nominell inngangseffekt (mikrobølgeovn):	1050 W
Nominell utgangseffekt (mikrobølgeovn):	700 W
Ovnskapasitet:	20 L
Diameter dreiebord:	Ø 255 mm
Eksterne dimensjoner:	439.5*357.5*258.2mm
Nettovekt:	Ca. 10,2 kg

VIKTIGE SIKKERHETSINSTRUKSJONER- ADVARSEL

For å redusere risikoen for brann, elektrisk støt, personskade eller eksponering for overdreven mikrobølgeovnsenergi når du bruker apparatet, følg grunnleggende forholdsregler, inkludert følgende:

1. Les og følg det spesifikke: “FORHOLDSREGLER FOR Å UNNGÅ MULIG EKSPONERING FOR MYE MIKROBØLGEENERGI”.
2. Dette apparatet kan brukes av barn i alderen fra åtte år og eldre og personer med nedsatt fysisk, sensorisk eller mental evne eller med mangel på erfaring og kunnskap, forutsatt at de blir veiledet eller gitt instruksjoner om bruk av apparatet på en trygg måte, og de forstår de involverte farene. Barn skal ikke leke med apparatet. Rengjøring og vedlikehold skal ikke utføres av barn uten tilsyn.
3. Oppbevar apparatet og ledningen utilgjengelig for barn under 8 år.
4. Hvis strømledningen er skadet, må den byttes ut av produsenten, serviceagenten eller tilsvarende kvalifiserte personer for å unngå fare.
5. **ADVARSEL:** Pass på at apparatet er slått av før du skifter lampen, slik at du unngår fare for elektrisk støt.
6. **ADVARSEL:** Det er farlig for andre enn en kompetent person å utføre service- eller reparasjonsoperasjoner som involverer fjerning av et deksel som gir beskyttelse mot eksponering for mikrobølgeenergi.
7. **ADVARSEL:** Væsker og andre matvarer må ikke varmes opp i lukkede beholdere siden de kan eksplodere.
8. Ved oppvarming av mat i plast- eller papirbeholder, må du sjekke ovnen ofte for mulighet for antennelse.

9. Bruk kun redskaper som er egnet for bruk i mikrobølgeovner.
10. Hvis det avgis røyk, slå av eller koble fra apparatet og hold døren lukket for å kvele eventuelle flammer.
11. Oppvarming av drikkevarer i mikrobølgeovn kan føre til fosskoking, så du må derfor være forsiktig når du håndterer beholderen.
12. Innholdet i tåteflasker og barnematglass skal røres eller ristes og temperaturen kontrolleres før inntak, for å unngå brannskader.
13. Egg med skall og hele hardkokte egg må ikke varmes opp i mikrobølgeovn fordi de kan eksplodere, selv etter at oppvarmingen er avsluttet.
14. Ovnen bør rengjøres regelmessig og eventuelle matrester må fjernes.
15. Hvis man ikke holder ovnen ren kan dette føre til forringelse av overflaten, som kan ha negativ innvirkning på apparatets levetid og muligens føre til en farlig situasjon.
16. Apparatet må ikke installeres bak en dekorativ dør for å unngå overoppheting. (Dette gjelder ikke for apparater med dekorativ dør.)
17. Bruk kun temperatursonden som er anbefalt for denne ovnen. (for ovner utstyrt med en funksjon for å bruke en temperaturfølende sonde.)
18. Mikrobølgeovnen skal ikke plasseres i et skap med mindre den er testet i et skap.
19. Mikrobølgeovnen må brukes med den dekorative døren åpen. (for ovner med dekorativ dør.)

20. Dette apparatet er ment å brukes i husholdninger og lignende steder som:
 - Personalets kjøkkenområder i butikker, kontorer og andre arbeidsmiljøer;
 - av gjester på hoteller, moteller og andre typer boligmiljøer;
 - gårdshus;
 - bed and breakfast-type miljøer.
21. Mikrobølgeovnen er beregnet for oppvarming av mat og drikke. Tørking av mat eller klær og oppvarming av varmeputer, tøfler, svamper, fuktig klut og lignende kan føre til fare for skade, antennelse eller brann.
22. Metalliske beholdere for mat og drikke er ikke tillatt under tilberedning i mikrobølgeovn.
23. Apparatet skal ikke rengjøres med en damprenser.
24. Apparatet er beregnet på å brukes frittstående.
25. Baksiden av apparater skal plasseres mot en vegg.

LES NØYE OG BEHOLD FOR FREMTIDIG REFERANSE

For å redusere risikoen for personskade ved jordingsinstallasjon

FARE

Fare for elektrisk støt. Berøring av noen av de interne komponentene kan føre til alvorlig personskade eller død. Ikke demonter dette apparatet.

ADVARSEL

Fare for elektrisk støt. Feil bruk av jordingen kan føre til elektrisk støt. Ikke koble til en stikkontakt før apparatet er riktig installert og jordet.

Dette apparatet må jordes. I tilfelle av en elektrisk kortslutning, reduserer jording faren for elektrisk støt ved å tilveiebringe en fluktledning for den elektriske strømmen.

Dette apparatet er utstyrt med en ledning som har en jordledning med en jordingsplugg. Støpselet må settes inn i en stikkontakt som er riktig installert og jordet.

Rådfør deg med en kvalifisert elektriker eller servicemann hvis jordingsinstruksjonene

ikke er fullstendig forstått eller hvis det er tvil om hvorvidt apparatet er riktig jordet.

Hvis det er nødvendig å bruke en skjøteledning, bruk kun en 3-leder skjøteledning.

1. Det følger med en kort strømledning for å redusere risikoen ved å bli viklet inn i eller snuble over en lengre ledning.

2. Hvis det brukes et langt ledningssett eller skjøteledning:

1) Den merkede elektriske vurderingen til ledningssettet eller skjøteledningen bør være minst like høy som den elektriske vurderingen til apparatet.

2) Skjøteledningen må være en jordet 3-leder ledning.

3) Den lange ledningen bør ordnes slik at den ikke draperes over benkeplaten eller bordplaten der den kan trekkes i av barn eller snubles over den utilsiktet.

RENGJØRING

Sørg for å koble apparatet fra strømforsyningen.

1. Rengjør ovnsrommet etter bruk med en lett fuktet klut.
2. Rengjør tilbehøret på vanlig måte i såpevann.
3. Dørkarm og pakning og tilstøtende deler må rengjøres forsiktig med en fuktig klut når de er skitne.
4. Ikke bruk sterke skurende rengjøringsmidler eller skarpe metallskrapere for å rengjøre ovnsdørens glass siden de kan ripe opp overflaten, noe som kan føre til at glasset knuses.
5. Rengjøringstips ---For enklere rengjøring av hulromsveggene som maten kan berøre: Plasser en halv sitron i en bolle, tilsett 300 ml (1/2 halvliter) vann og varm på 100 % mikrobølgeovn i 10 minutter. Tørk av ovnen med en myk, tørr klut.

REDSKAP FORSIKTIGHET

Fare for personskade

Det er farlig for andre enn en kompetent person å utføre service- eller reparasjonsoperasjoner som involverer fjerning av et deksel som gir beskyttelse mot eksponering for mikrobølgeenergi.

Se instruksjonene under "Materialer du kan bruke i mikrobølgeovn eller som bør unngås i mikrobølgeovn." Det kan være visse ikke-metalliske redskaper som ikke er trygge å bruke til mikrobølgeovn. Hvis du er i tvil, kan du teste det aktuelle redskapet ved å følge prosedyren nedenfor.

Utstyrstest:

1. Fyll en mikrobølgeovnsikker beholder med 1 kopp kaldt vann (250 ml) sammen med det aktuelle redskapet.
2. Kok på maksimal kraft i 1 minutt.
3. Kjenn forsiktig på redskapet. Hvis det tomme redskapet er varmt, ikke bruk det til mikrobølgeovn.
4. Ikke overskrid 1 minutts koketid.

Materialer du kan bruke i mikrobølgeovn

Utstyr	Merknader
Bruningsrett	Følg produsentens instruksjoner. Bunnen av bruningsskålen må være minst 3/16 tomme (5 mm) over dreieplaten. Feil bruk kan føre til at dreieplaten går i stykker.
Servise	Kun mikrobølgeovnsikker. Følg produsentens instruksjoner. Ikke bruk oppripet eller oppsprukket servise.
Glasskrukker	Ta alltid av lokket. Bruk kun til å varme opp maten til den er akkurat varm. De fleste glasskrukker er ikke varmebestandige og kan gå i stykker.
Glassvarer	Kun varmebestandig ovnsglass. Pass på at det ikke er noen metallkant. Ikke bruk oppripet eller oppsprukket servise.
Kokeposer for ovn	Følg produsentens instruksjoner. Ikke lukk med metallklips. Lag åpninger for å la damp slippe ut.
Papirtallerkener og kopper	Bruk kun til kortvarig koking/oppvarming. Ikke la ovnen stå uten tilsyn mens du lager mat.
Tørkepapir	Brukes til å dekke til mat for å varme opp og absorbere fett. Bruk kun under tilsyn for en kortvarig matlaging.
Pergamentpapir	Bruk som et deksel for å forhindre sprut eller som en innpakning for damping.
Plast	Kun mikrobølgeovnsikker. Følg produsentens instruksjoner. Bør merkes "Mikrobølgesikker". Noen plastbeholdere mykner mens maten inni blir varm. "Kokeposer" og tett lukkede plastposer skal spaltes, gjennomhulles eller luftes som anvist av pakken.
Plastfolie	Kun mikrobølgeovnsikker. Brukes til å dekke til maten under tilberedning for å holde på fuktigheten. Ikke la plastfolie berøre maten.
Termometre	Kun mikrobølgeovnsikker (kjøtt- og godteritemometre).
Vokspapir	Bruk som et deksel for å forhindre sprut og holde på fuktigheten.

Materialer som skal unngås i mikrobølgeovn

Utstyr	Merknader
Aluminiumsbrett	Kan forårsake buedannelse. Overfør maten til en mikrobølgeovnsikker skål.
Matkartong med metallhåndtak	Kan forårsake buedannelse. Overfør maten til en mikrobølgeovnsikker skål.
Bestikk av metall eller metall	Metall beskytter maten mot mikrobølgeenergi. Metallbekledning kan forårsake buedannelse.
Metalliske dreiebånd	Kan forårsake lysbuer og kan forårsake brann i ovnen.
Papirposer	Kan forårsake brann i ovnen.
Plastskum	Plastskum kan smelte eller forurense væsken inni når den utsettes for høy temperatur.
Tre	Tre vil tørke ut når det brukes i mikrobølgeovnen og kan splitte eller sprekke.

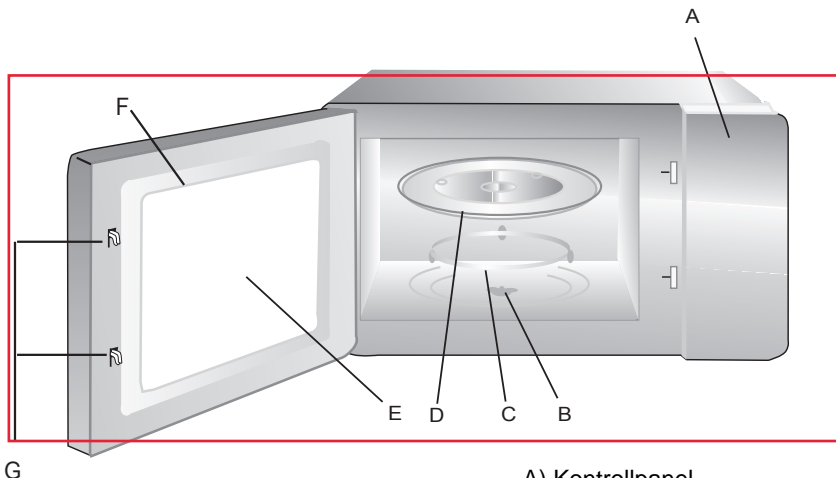
SETTE OPP OVNEN DIN

Navn på ovnsdeler og tilbehør

Fjern ovnen og alt materiale fra kartongen og ovnsrommet.

Ovnen din leveres med følgende tilbehør:

Glassbrett	1
Dreiebordring-montering	1
Brukerhåndbok	1



- A) Kontrollpanel
- B) Dreiebordaksel
- C) Dreiebordring-montering
- D) Glassbrett
- E) Observasjonsvindu
- F) Dørmontasje
- G) Sikkerhetssperresystem

Installasjon av dreiebord

Hub (underside)

Glassbrett

Dreiebordaksel

Dreiebordring-montering

- a. Sett aldri glassbrettet opp ned. Glassbrettet bør aldri begrenses.
- b. Både glassbrett og dreiebordring må alltid brukes under matlaging.
- c. All mat og beholdere med mat plasseres alltid på glassbrettet for matlaging.
- d. Kontakt ditt nærmeste autoriserte servicesenter hvis glassbrettet eller dreieplateringen sprekker eller går i stykker.

Installasjon av benkeplater

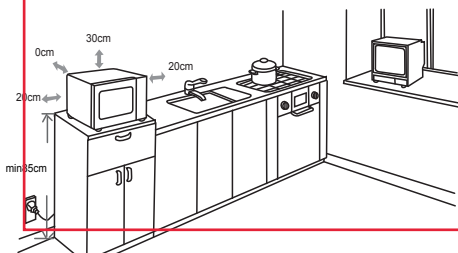
Fjern alt emballasjemateriale og tilbehør. Undersøk ovnen for skader som bulker eller ødelagt dør. Ikke installer hvis ovnen er skadet.

Skap: Fjern eventuell beskyttelsesfilm som finnes på overflaten av mikrobølgeovns kabinet.

Ikke fjern det lysebrune glimmerdekslet som er festet til ovnsrommet for å beskytte magnetronen.

Installasjon

1. Velg en jevn overflate som gir nok åpen plass for inntaks- og/eller utløpsventiler.



(1) Minste monteringshøyde er 85 cm.

(2) Baksiden av apparatet skal plasseres mot en vegg. La det være en minimumsavstand på 30 cm over ovnen, en minimumsklaring på 20 cm er nødvendig mellom ovnen og eventuelle tilstøtende vegger.

(3) Ikke fjern bena fra bunnen av ovnen.

(4) Blokkering av innløps- og/eller utløpsåpninger kan skade ovnen.

(5) Plasser ovnen så langt unna radioer og TV som mulig. Bruk av mikrobølgeovn kan forårsake forstyrrelser på radio- eller TV-mottaket.

2. Koble ovnen til et vanlig husholdningsuttak. Pass på at spenningen og frekvensen er den samme som spenningen og frekvensen på merkelappen.

ADVARSEL: Ikke installer ovnen over en platetopp eller andre varmeproduserende apparater. Hvis den installeres nær eller over en varmekilde, kan ovnen bli skadet og garantien vil bli ugyldig.

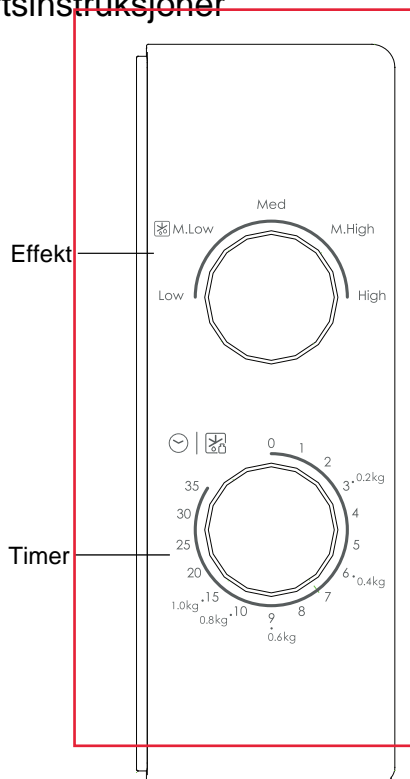
Den tilgjengelige overflaten kan være varm under drift.



DRIFT

Kontrollpanel og funksjoner

Driftsinstruksjoner



1. For å stille inn kokekraften ved å vri strømbryteren til ønsket nivå.
2. For å stille inn tilberedningstiden ved å vri timerknappen til ønsket tid i henhold til matlagingsguiden.
3. Mikrobølgeovnen starter automatisk tilberedningen etter at effektnivået og tiden er stilt inn.
4. Etter at koketiden er ute, vil enheten "Dong" for å stoppe.
5. Hvis enheten ikke er i bruk, sett alltid tiden til "0".

Funksjon/strøm	Produksjon	Applikasjon
Low	119 W	Myk opp iskrem
Med. Low (avriming)	231 W	Suppegryterrett, myk opp smør eller tin opp
Med.	385 W	Lapskaus, fisk
Med. High	539 W	Ris, fisk, kylling, kjøttdeig
High	700 W	Varm opp, melk, kok opp vann, grønnsaker, drikke

Legg merke til: Når du tar mat ut av ovnen, sørg for at ovnsstrømmen er slått av ved å vri tidsbryteren til 0 (null).
Unnlattelse av å gjøre det, og bruk av mikrobølgeovnen uten mat i, kan føre til overoppheting og skade på magnetronen.

Feilsøking

Normal	
Mikrobølgeovn forstyrrer TV-mottak	Radio- og TV-mottak kan bli forstyrret når mikrobølgeovnen er i bruk. Det ligner på forstyrrelsen av små elektriske apparater, som mikser, støvsuger og elektrisk vifte. Det er normalt.
Dim ovnslyset	Ved tilberedning med lav effekt i mikrobølgeovn kan ovnslyset bli svakt. Det er normalt.
Damp samler seg på døren, varm luft ut av ventilene	Ved matlaging kan det komme damp ut av maten. De fleste vil komme seg ut fra ventilene. Men noen kan samle seg på et kjølig sted som ovnsdøren. Det er normalt.
Ovnen startet ved et uhell uten mat i.	Det er forbudt å kjøre enheten uten mat inni. Det er veldig farlig.

Problemer	Mulig årsak	Utbedring
Ovnen kan ikke startes.	(1) Strømledningen er ikke tett plugget inn.	Trekk ut støpselet. Plugg deretter inn igjen etter ti sekunder.
	(2) Sikringen går eller strømbryteren fungerer.	Bytt sikringen eller tilbakestill strømbryteren (reparert av profesjonelt personell fra vårt firma)
	(3) Problemer med uttaket.	Test stikkkontakten med andre elektriske apparater.
Ovnen varmer ikke.	(4) Døren er ikke godt lukket.	Lukk døren godt.



Dette apparatet er merket i samsvar med det europeiske direktivet 2012/19/EU om forskrifter for avfall av elektrisk og elektronisk utstyr 2013 angående elektriske og elektroniske apparater (WEEE). WEEE inneholder både forurensende stoffer (som kan ha en negativ effekt på miljøet) og basiselementer (som kan gjenbrukes). Det er viktig at WEEE-behandlingen tar hånd om spesifikke behandlinger for å fjerne og kassere forurensningene korrekt og gjenvinne alt materialet. Enkeltpersoner kan spille en viktig rolle i å sikre at WEEE ikke blir et miljøproblem. Det er avgjørende å følge noen få grunnleggende regler:

- WEEE skal ikke behandles som husholdningsavfall.
- WEEE skal bringes til dedikerte innsamlingsområder som administreres av byrådet eller et registrert selskap.

I mange land kan boligsinnsamlinger være tilgjengelige for store WEEE-produkter. Når du kjøper et nytt apparat, kan det gamle returneres til forhandleren som må ta imot det gratis. Så lenge apparatet er av en tilsvarende type og har samme funksjoner som den kjøpte enheten.



Mikrovågsugn

BRUKSANVISNING

MODELL: CMW20SMW
CMW20SMB

Läs dessa anvisningar noggrant innan du använder mikrovågsugnen och förvara dem omsorgsfullt.
Om du följer instruktionerna kommer din ugn att ge dig många år av god service.

SPARA DESSA INSTRUKTIONER NOGGRANT

FÖRSIKTIGHETSÅTGÄRDER FÖR ATT UNDVIKA MÖJLIG EXPONERING FÖR ÖVERDRIVA MÄNGDER MIKROVÅGSENERGI

- (a) Försök inte att använda ugnen med luckan öppen eftersom detta kan leda till skadlig exponering för mikro vågsenergi. Det är viktigt att inte bryta sönder eller manipulera säkerhetspörrarna.
- (b) Placera inga föremål mellan ugnens framsida och luckan och låt inte smuts eller rengöringsrester samlas på tätningssytorna.
- (c) **WARNING:** Om luckan eller dörrtätningarna är skadade får ugnen inte användas förrän den har reparerats av en kompetent person.

TILLÄGG

Om apparaten inte hålls ren kan dess yta försämrats. Detta kan påverka apparatens livslängd och leda till en farlig situation.

Specifikationer

Modell:	CMW20SMW / CMW20SMB
Märkspänning:	230V~ 50Hz
Uppgiven ineffekt (mikrovågsugn):	1 050 W
Uppgiven uteffekt (mikrovågsugn):	700 W
Ugnens kapacitet:	20 l
Diameter på roterande tallrik:	Ø 255 mm
Yttre mått:	439.5*357.5*258.2mm
Nettovikt:	Cirka. 10,2 kg

VIKTIGA SÄKERHETSANVISNINGAR/ VARNINGAR

För att minska risken för brand, elektriska stötar, personskador eller exponering för mycket energi från mikrovågsugnen när du använder apparaten ska du följa de grundläggande försiktighetsåtgärderna, inklusive följande:

1. Läs och följ de särskilda anvisningarna:
"FÖRSIKTIGHETSÅTGÄRDER FÖR ATT UNDVIKA MÖJLIG EXPONERING FÖR ÖVERDRIVNA MÄNGDER MIKROVÅGSENERGI".
2. Den här apparaten kan användas av barn från 8 års ålder och av personer med nedsatt fysisk, sensorisk eller mental förmåga om de har fått handledning eller instruktioner för säker användning och förstår de faror som är inblandade. Barn ska inte leka med apparaten. Rengöring och skötsel ska inte utföras av barn utan uppsikt.
3. Håll apparaten och dess sladd utom räckhåll för barn under åtta år.
4. Om elsladden skadas måste den bytas av tillverkaren, dennes serviceombud eller liknande kvalificerad person för att undvika faror.
5. **VARNING:** För att undvika elektriska stötar ska apparaten vara avstängd innan lampan byt ut.
6. **VARNING:** Det är farligt för någon annan än en kompetent person att utföra service eller reparationer som innebär att ett skydd som skyddar mot exponering för mikrovågsenergi tas bort.
7. **VARNING:** Vätskor och andra livsmedel får inte värmas i slutna behållare eftersom de kan explodera.

8. När du värmer mat i plast- eller pappersförpackningar ska du hålla ett öga på ugnen eftersom det finns risk för antändning.
9. Använd endast redskap som är lämpliga för mikrovågsugnar.
10. Om det uppstår rök, stäng av eller koppla ur apparaten och håll luckan stängd för att kväva eventuella lågor.
11. Uppvärmning av drycker i mikrovågsugn kan leda till fördröjd kokning och därför måste man vara försiktig när man hanterar behållaren.
12. Vid värmning av nappflaskor och barnmatsburkar ska innehållet röras om eller skakas. Kontrollera temperaturen innan förtäring för att undvika brännskador.
13. Ägg med skal och hela hårdkokta ägg bör inte värmas i mikrovågsugn. De kan explodera även efter mikrovågsvärmningen.
14. Ugnen bör rengöras regelbundet och eventuella matavlagringar bör avlägsnas.
15. Om ugnen inte hålls ren kan det leda till att ytan försämras, vilket kan påverka apparatens livslängd negativt och eventuellt leda till en farlig situation.
16. För att undvika överhettning ska apparaten inte installeras bakom en dekorativ lucka. (Detta gäller inte apparater med dekorativ lucka.)
17. Använd endast den temperatursond som rekommenderas för den här ugnen (för ugnar som är utrustade med en möjlighet att använda en temperatursond).
18. Mikrovågsugnen får inte placeras i ett skåp om den inte har testats i ett skåp.
19. Mikrovågsugnen måste användas med den dekorativa luckan öppen (för ugnar med dekorativ lucka).

20. Denna produkt är avsedd att användas i hushåll och liknande användningsområden, som till exempel:
 - personalkök i butiker, kontor och andra arbetsmiljöer;
 - mangårdsbyggnader och av gäster på hotell, motell och andra miljöer av bostadstyp,
 - lantbruk,
 - B&B-miljöer.
21. Mikrovågsugnen är avsedd för uppvärmning av mat och dryck. Att torka mat eller kläder och värma värmekuddar, tofflor, svampar, fuktiga trasor och liknande kan leda till risk för skada, antändning eller brand.
22. Metallbehållare för mat och dryck får inte användas vid tillagning i mikrovågsugn.
23. Apparaten får inte rengöras med en ångrengörare.
24. Apparaten är avsedd att användas som en fristående apparat.
25. Apparaternas baksida ska placeras mot en vägg.

**LÄS NOGGRANT OCH SPARA FÖR FRAMTIDA
REFERENS**

För att minska risken för personskador

Jordning

FARA

Risk för elektriska stötar
Att röra vid de interna komponenterna kan orsaka allvarlig personskada eller dödsfall. Ta inte isär denna apparat.

VARNING

Risk för elektriska stötar
Felaktig användning av jordningen kan resultera i elektriska stötar. Anslut inte till ett eluttag förrän apparaten är korrekt installerad och jordad.

Denna apparat måste vara jordad. I händelse av en elektrisk kortslutning minskar jordning risken för elektriska stötar genom att tillhandahålla en flyktledare för den elektriska strömmen. Den här apparaten är utrustad med en sladd som har en jordkabel med en jordkontakt. Kontakten måste anslutas till ett uttag som är korrekt installerat och jordat.

Kontakta en kvalificerad elektriker eller serviceman

om du inte har förstått anvisningarna för jordning helt och hållet eller om du är osäker på om apparaten är korrekt jordad.

Om det är nödvändigt att använda en förlängningssladd, använd endast en 3-trådig förlängningssladd.

1. En kort strömförsörjningssladd medföljer leveransen för att minska riskerna att fastna i eller snubbla över en längre sladd.
2. Om en lång sladd eller förlängningssladd används:
 - 1) Den markerade elkapaciteten för kablagepaketet eller förlängningssladden ska vara minst lika stor som apparatens elkapacitet.
 - 2) Förlängningssladden måste vara en jordad 3-trådig sladd.
 - 3) Den långa sladden ska vara placerad så att den inte hänger över bänkskivan eller bordet så att barn kan dra i den eller snubbla över den oavsiktligt.

RENGÖRING

Se till att koppla ur apparaten från strömförsörjningen.

1. Rengör ugnens hålrum efter användning med en lätt fuktig trasa.
2. Rengör tillbehören på vanligt sätt i tvålatten.
3. Dörrkarmen och tätningen samt angränsande delar måste rengöras försiktigt med en fuktig trasa när de är smutsiga.
4. Använd inte hårda slipande rengöringsmedel eller vassa metallskrapor för att rengöra ugnsluckans glas. Detta kan repa ytan och göra så att glaset spricker.
5. Rengöringstips---för enklare rengöring av hålrumsväggarna som den tillagade maten kan komma i kontakt med: Lägg en halv citron i en skål, tillsätt 300 ml (1/2 pint) vatten och värm på 100 % mikrovågsugnseffekt i 10 minuter. Torka av ugnen med en mjuk, torr trasa.

REDSKAP

FÖRSIKTIGHET

Risk för personskador

Det är farligt för någon annan än en kompetent person att utföra service eller reparationer som innebär att ett skydd som skyddar mot exponering för mikrovågsenergi tas bort.

Läs instruktionerna om "Material som kan användas i mikrovågsugn eller som bör undvikas i mikrovågsugn." Det kan finnas vissa redskap som inte är av metall som inte är säkra att använda i mikrovågsugn. Om du är osäker kan du testa redskapet i fråga genom att följa nedanstående procedur.

Test av redskap:

1. Fyll en mikrovågssäker behållare med 1 kopp kallt vatten (250 ml) tillsammans med redskapet i fråga.
2. Koka på maximal effekt i 1 minut.
3. Känn försiktigt på redskapet. Om det tomma redskapet är varmt får du inte använda det för tillagning i mikrovågsugn.
4. Överskrid inte 1 minuts tillagningstid.

Material du kan använda i mikrovågsugn

Redskap	Anmärkningar
Crisppanna	Följ tillverkarens instruktioner. Crisppannans botten måste vara minst 5 mm (3/16 inch) ovanför den roterande tallriken. Felaktig användning kan leda till att den roterande tallriken går sönder.
Matporslin	Endast mikrovågssäker. Följ tillverkarens instruktioner. Använd inte spruckna eller trasiga tallrikar.
Glasburkar	Ta alltid av locket. Använd endast för att värma mat tills den är lagom varm. De flesta glasburkar är inte värmebeständiga och kan gå sönder.
Glas	Endast värmebeständigt ugnsglas. Kontrollera att det inte finns några metalliska detaljer. Använd inte spruckna eller trasiga tallrikar.
Ugnsmatlag-ningspåsar	Följ tillverkarens instruktioner. Stäng inte med metallband. Gör skårar så att ånga kan komma ut.
Papperstallrikar och koppar	Använd endast för kortvarig tillagning/uppvärmning. Lämna inte ugnen utan uppsikt när du lagar mat.
Pappersdukar	Används för att täcka maten för att värma upp och absorbera fett. Använd endast under övervakning för kortvarig matlagning.
Bakplåtspapper	Använd den som ett lock för att förhindra stänk eller som ett omslag för ångkokning.
Plast	Endast mikrovågssäker. Följ tillverkarens instruktioner. Bör vara märkt "Mikrovågssäker". Vissa plastförpackningar mjuknar när maten i dem blir varm. "Kokpåsar" och tätt slutna plastpåsar/krympåsar ska skäras upp, göras hål i eller ventileras enligt anvisningarna på förpackningen.
Plastfolie	Endast mikrovågssäker. Används för att täcka maten under tillagningen för att behålla fukten. Låt inte plastfolie komma i kontakt med maten.
Termometrar	Endast mikrovågsugnssäkra (kött- och Candy-termometrar).
Vaxpapper/ bakplåtspapper	Använd som skydd för att förhindra stänk och behålla fukt.

Material som bör undvikas i mikrovågsugn

Redskap	Anmärkningar
Aluminiumbricka	Kan orsaka ljusbågsbildning. Placera maten i en mikrovågssäker tallrik.
Matkartong med metallhandtag	Kan orsaka ljusbågsbildning. Placera maten i en mikrovågssäker tallrik.
Metall eller metallbelagda bestick	Metall skyddar maten från mikrovågsenergi. Metallbeläggningar kan orsaka ljusbågsbildning.
Twistband i metall	Kan orsaka ljusbågar och kan orsaka till brand i ugnen.
Papperspåsar	Kan orsaka brand i ugnen.
Plastskum	Plastskum kan smälta eller förorena vätskan inuti när det utsätts för hög temperatur.
Trä	Trä torkar ut när det används i mikrovågsugnen och kan spricka eller gå sönder.

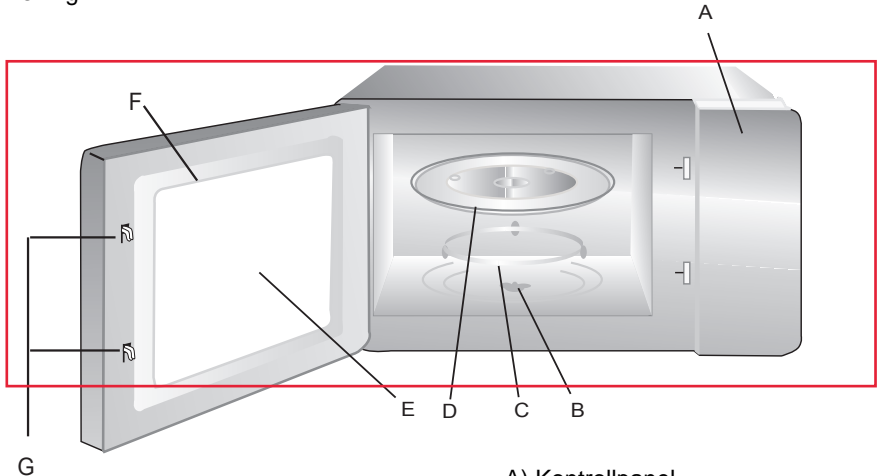
STÄLLA IN DIN UGN

Namn på ugsdelar och tillbehör

Ta bort ugnen och allt material från kartongen och ugsutrymmet.

Ugnen levereras med följande tillbehör:

Glastallrik	1
Plattans ringmontering	1
Bruksanvisning	1



- A) Kontrollpanel
- B) Roterbar axel
- C) Plattans ringmontering
- D) Glastallrik
- E) Glasfönster
- F) Montering av lucka
- G) Säkerhetsspärrsystem

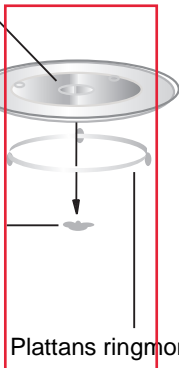
Montering av roterbar tallrik

Nav (undersida)

Glastallrik

Roterbar axel

Plattans ringmontering



- a. Placera aldrig glastallriken upp och ner. Glastallriken bör aldrig begränsas.
- b. Både glastallrik och plattans ringmontering måste alltid användas vid tillagning.
- c. Mat och alla matbehållare ska alltid placeras på glastallriken för tillagning.
- d. Om glastallriken eller plattans ringmontering spricker eller går sönder, kontakta närmaste auktoriserade servicecenter.

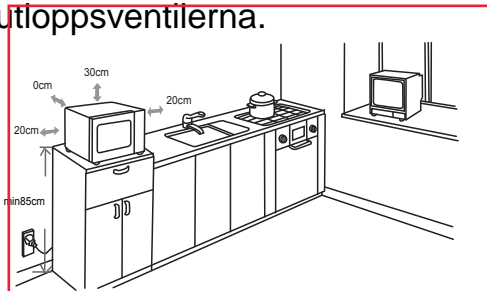
Installation på bänkskiva

Ta bort allt förpackningsmaterial och alla tillbehör. Undersök ugnen för att se om den har några skador, t.ex. bucklor eller en trasig lucka. Installera inte om ugnen är skadad.

Skåp: Ta bort eventuell skyddsfilm som finns på mikrovågsugns-skåpets yta. Ta inte bort det ljusbruna glimmerhöljet som är fäst vid ugnstrymmet för att skydda magnetronen.

Installation

1. Välj en plan yta som ger tillräckligt med öppet utrymme för intags- och/eller utloppsventilerna.



- (1) Den minsta monteringshöjden är 85 cm.
- (2) Apparatens baksida ska placeras mot en vägg. Lämna ett avstånd på minst 30 cm ovanför ugnen och ett avstånd på minst 20 cm mellan ugnen och intilliggande väggar.
- (3) Ta inte bort benen från botten av ugnen.
- (4) Blockering av intags- och/eller utloppsöppningar kan skada ugnen.

- (5) Placera ugnen så långt bort från radio och tv-apparater som möjligt. Mikrovågsugnen kan orsaka störningar i din radio- eller tv-mottagning.
2. Anslut ugnen till ett vanligt hushållsuttag. Kontrollera att spänningen och frekvensen är desamma som spänningen och frekvensen på typskylten.

WARNING: Installera inte ugnen över en spishäll eller annan värmeproducerande apparat. Om ugnen installeras nära eller över en värmekälla kan den skadas, och garantin upphör att gälla.

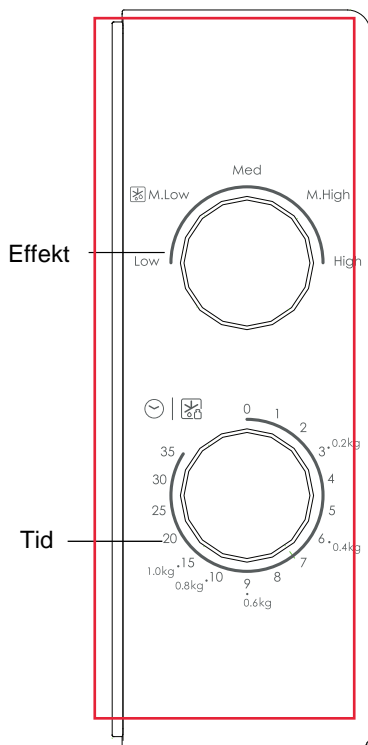
Den tillgängliga ytan kan vara varm under drift.



DRIFT

Kontrollpanel och funktioner

Driftinstruktioner



1. Ställ in matlagningsstyrkan genom att vrida effekt-vredet till önskad nivå.
2. Ställ in matlagningstiden genom att vrida tids-vredet till önskad tid enligt matlagningssguiden.
3. Mikrovågsugnen startar automatiskt tillagningen när effektnivå och tid har ställts in.
4. När tillagningstiden är slut kommer enheten att "låta" för att stanna.
5. Om enheten inte används, ställ alltid in tiden på "0".

Funktion/effekt	Utmatning	Tillämpning
Low	119 W	Mjuka upp glass
Med. Low (tina upp)	231 W	Soppgryta, mjuka upp smör eller tina
Med.	385 W	Gryta, fisk
Med. High	539 W	Ris, fisk, kyckling, köttfärs
High	700 W	Uppvärmning, mjölk, koka vatten, grönsaker, dryck

Uppmärksamma: När du tar ut mat ur ugnen ska du se till att ugnen är avstängd genom att vrida tids-vredet till 0 (noll).

Om du inte gör det och använder mikrovågsugnen utan mat i den kan det leda till överhettning och skador på magnetronen.

Felsökning

Normal	
Mikrovågsugn stör tv-mottagningen	Radio- och tv-mottagning kan störas när mikrovågsugnen är igång. Det liknar störningar från små elektriska apparater som mixer, dammsugare och elfläkt. Det är normalt.
Dimmad ugnsbelysning	Vid matlagning i mikrovågsugn med låg effekt kan ugnsbelysningen bli svag. Det är normalt.
Ånga samlas på luckan, varm luft ut ur ventilerna	Vid matlagning kan ånga komma ut ur maten. Mest kommer det från ventilerna. Men en del kan samlas på en sval plats, t.ex. på en ugnslucka. Det är normalt.
Ugnen startade oavsiktligt utan att det fanns någon mat i ugnen.	Det är förbjudet att köra apparaten utan mat inuti. Det är väldigt farligt.

Problem	Möjlig orsak	Åtgärd
Ugnen kan inte startas.	(1) Nätsladden är inte ordentligt ansluten.	Dra ur nätsladden. Anslut sedan igen efter 10 sekunder.
	(2) Säkringen går eller strömbrytaren aktiveras.	Byt säkring eller återställ strömbrytaren (repareras av professionell personal från vårt företag)
	(3) Problem med uttaget.	Testa uttaget med andra elektriska apparater.
Ugnen värmer inte.	(4) Luckan är inte ordentligt stängd.	Stäng luckan ordentligt.



Den här apparaten är märkt i enlighet med EU-direktivet 2012/19/EU om föreskrifter gällande avfall av elektrisk och elektronisk utrustning (WEEE) från 2013. WEEE innehåller både miljöförstörande substanser och baselement (som kan återanvändas). Det är viktigt att WEEE genomgår specifik bearbetning så att miljöförstörande ämnen avlägsnas och hanteras på rätt sätt, och andra material kan återvinnas. Individer kan spela en viktig roll i att säkerställa att WEEE inte blir ett miljöproblem. Det är viktigt att följa några grundläggande regler:

- WEEE ska inte betraktas som hushållsavfall.
- WEEE ska tas till en särskild återvinningsstation som drivs kommunalt eller av ett privat företag. I många länder kan stora WEEE-produkter hämtas i hemmen. När du köper en ny apparat kan den gamla lämnas till leverantören som måste acceptera den kostnadsfritt som en engångslösning, så länge den gamla apparaten är av liknande typ och har samma funktioner som den nyinköpta apparaten.



Mikrolaineahi

KASUTUSJUHEND

**MUDEL: CMW20SMW
CMW20SMB**

Enne mikrolaineahju kasutamist lugege need juhised hoolikalt läbi ja hoidke kindlas kohas alles.

Kui järgite juhiseid, teenib ahi teid hästi paljude järgnevate aastate jooksul.

HOIDKE NEED JUHISED KINDLAS KOHAS ALLES

ETTEVAATUSABINÕUD LIIGSE MIKROLAINEENERGIAGA KOKKUPUUTE VÄLTIMISEKS

(a) Ärge püüdke kasutada seda ahju avatud uksega, kuna see võib põhjustada kahjuliku kokkupuute mikrolaineenergiaga. Turvalukke ei tohi mingil juhul purustada ega rikkuda.

(b) Ärge asetage esemeid ahju esikülje ja ukse vahele ega laske mustusel või puhastusvahendi jääkidel tihendipindadele koguneda.

(c) HOIATUS! Kui uks või ukse tihendid on kahjustatud, ei tohi ahju kasutada enne, kui selle on parandanud pädev isik.

LISA

Kui seadet ei hoita heas puhtas seisukorras, võib selle pind halveneda ning mõjutada seadme kasutusiga ja tekitada ohuolukordi.

Spetsifikatsioon

Mudel:	CMW20SMW/CMW20SMB
Nimipinge:	230V~ 50Hz
Nimisisendvõimsus (mikrolaineahi):	1050 W
Nimiväljundvõimsus (mikrolaineahi):	700 W
Ahju mahutavus:	20 l
Pöördplaadi läbimõõt:	Ø 255 mm
Välismõõtmed:	439,5 * 357,5 * 258,2 mm
Netokaal:	Umbes 10,2 kg

OLULINE OHUTUSJUHISTE HOIATUS

Seadme kasutamisel tulekahju, elektrilöögi, kehavigastuste või mikrolaineenergiaga liigse kokkupuute ohu vähendamiseks järgige üldisi, sealhulgas järgmisi ettevaatusabinõusid.

1. Lugege ja järgige konkreetseid juhiseid:
„ETTEVAATUSABINÕUD LIIGSE MIKROLAINEENERGIAGA KOKKUPUUTE VÄLTIMISEKS“.
2. Lapsed alates kaheksandast eluaastast ning piiratud füüsiliste, sensorsete või vaimsete võimetega või väheste kogemuste ja teadmistega isikud võivad seadet kasutada üksnes järelevalvel või kui neid on juhendatud seadme ohutu kasutamise osas ning nad mõistavad seadme kasutamiseiga seotud ohte. Lapsed ei tohi seadmega mängida. Kui puhastus- ja hooldustoiminguid teevad lapsed, tuleb neid kindlasti jälgida.
3. Hoidke seade ja selle juhe alla kaheksa aasta vanustele lastele kättesaamatus kohas.
4. Toitekaabli kahjustuste korral peab selle ohtude minimeerimiseks välja vahetama tootja, tootja volitatud hooldustehnik või sarnase kvalifikatsiooniga spetsialist.
5. HOIATUS! Elektrilöögi vältimiseks veenduge enne lambi vahetamist, et seade on välja lülitatud.
6. HOIATUS! Kõigil teistel peale pädevate isikute on ohtlik teha mis tahes hooldus- või remonditöid, mis hõlmavad mikrolaineenergiaga kokkupuute eest kaitsva katte eemaldamist.

7. HOIATUS! Vedelikke ja muid toiduaineid ei tohi kuumutada suletud mahutites, kuna need võivad plahvatada.
8. Plast- või pabermahutites toidu kuumutamisel tuleb süttimisohu tõttu ahju pidevalt jälgida.
9. Kasutage ainult mikrolaineahjus kasutamiseks sobivaid köögiriistu.
10. Suitsu eraldumisel lülitage seade välja või lahutage toitejuhtme pistik vooluvõrgust ja hoidke seadme uks suletuna, et leegid lämmatada.
11. Jookide kuumutamine mikrolaineahjus võib põhjustada viivitusega keemise koos vedeliku väljapurskumisega, seetõttu tuleb anuma käsitlemisel olla ettevaatlik.
12. Söötmispudelite ja imikutoidu purkide sisu tuleb enne tarbimist segada või loksutada ning selle temperatuuri kontrollida, et vältida põletusi.
13. Koorega mune ja terveid keedetud mune ei tohi mikrolaineahjus kuumutada, kuna need võivad plahvatada isegi pärast mikrolaineahjus kuumutamise lõppu.
14. Ahju tuleb regulaarselt puhastada ja kõik toidujäägid eemaldada.
15. Kui ahju ei hoita puhtana, võib selle pind kahjustuda ning mõjutada seadme kasutust ja tekitada ohuolukordi.
16. Ülekuumenemise vältimiseks ei tohi seadet paigaldada dekoratiivukse taha. (See ei kehti dekoratiivuksega seadmete puhul.)
17. Kasutage ainult selle ahju jaoks soovitatud temperatuuriandurit. (Ahjudel, millel on võimalik kasutada temperatuuriandurit.)

18. Mikrolaineahju ei tohi paigutada kappi, kui seda ei ole kapis kasutamiseks testitud.
19. Mikrolaineahju tuleb kasutada nii, et dekoratiivne uks oleks avatud. (Dekoratiivse uksega ahjude puhul.)
20. Seade on ette nähtud kasutamiseks kodumajapidamistes ja sarnastes kasutuskeskkondades, näiteks:
 - kaupluste, kontorite ja tööruumide kööginurgad;
 - hotelli- ja motellitoad ning muud eluruumikeskkonnad;
 - talumajapidamistes;
 - kodumajutuse tüüpi keskkondades.
21. Mikrolaineahi on mõeldud toidu ja jookide soojendamiseks. Toidu või riiete kuivatamine ja soojenduspadjakeste, susside, käsnade, niiske lapi jms kuumutamine võib põhjustada vigastuste, süttimise või tulekahju ohu.
22. Mikrolaineahjus ei ole lubatud kasutada metallist toidu- ja jooginõusid.
23. Seadet ei tohi puhastada aurupuhastiga.
24. Seade on ette nähtud kasutamiseks eraldiseisvalt.
25. Seadme tagapind asetatakse vastu seinu.

**LUGEGE HOOLIKALT JA HOIDKE EDASPIDISEKS
KASUTAMISEKS ALLES**

Kehavigastuste ohu vähendamine paigaldamisel

OHT

Elektrilöögi oht Mõnede sisemiste komponentide puudutamise võib põhjustada raskeid kehavigastusi või surma. Ärge võtke seadet lahti.

HOIATUS!

Elektrilöögi oht Valesti maandamine võib põhjustada elektrilöögi. Ärge ühendage toitejuhtme pistikut pistikupessa enne, kui seade on õigesti paigaldatud ja maandatud.

Seade peab olema maandatud. Elektrilühise korral vähendab maandus elektrilöögi ohtu, võimaldades elektrivoolul evakuatsioonitraadi kaudu ära liikuda.

Seade on varustatud juhtmega, millel on maandusjuhe ja maanduspistik. Pistik tuleb ühendada pistikupessa, mis on õigesti paigaldatud ja maandatud.

Kui maandusjuhised ei ole täielikult arusaadavad või kui te kahtlete, kas seade on õigesti maandatud, siis konsulteerige kindlasti kvalifitseeritud elektrikuga või hooldustöötajaga. Kui on vaja kasutada pikendusjuhet, kasutage ainult kolme traadiga pikendusjuhet.

1. Seadmepiir on lühike toitejuhe, et vähendada pikema juhtme taha takerdumisest või selle otsa komistamisest tulenevaid ohte.
2. Pika juhtmekomplekti või pikendusjuhtme kasutamise korral arvestage järgnevaga.
 - 1) Juhtmekomplekti või pikendusjuhtme märgitud elektriline nimiväärtus peaks olema vähemalt sama suur kui seadme elektriline nimiväärtus.
 - 2) Pikendusjuhe peab olema maandusega kolmetraadiline juhe.
 - 3) Pikk juhe tuleb paigutada nii, et see ei ulatuks üle leti või lauaplaadi, kus näiteks lapsed saaksid seda haarata ja tõmmata või keegi võiks selle otsa komistada.

PUHASTAMINE

Lahutage seadme toitejuhtme pistik kindlasti toiteallikast.

1. Pärast kasutamist puhastage ahju õõs pisut niiske lapiga.
2. Tarvikud puhastage tavalisel viisil seebivees.
3. Ukseraam, tihend ja kõrvalosad tuleb hoolikalt niiske lapiga puhastada, kui need on määrdunud.
4. Ärge kasutage ahjuukse klaasi puhastamiseks tugevaid abrasiivseid puhastusvahendeid ega teravaid metallkaabitsaid, kuna need võivad pinda kriimustada, mille tagajärjel võib klaas puruneda.
5. Puhastamisnõuanne. Ahju õõne toiduga kokku puutunud seinte hõlpsamaks puhastamiseks tehke järgmist. Pange pool sidrunit kaussi, lisage 300 ml (1/2 pinti) vett ja kuumutage 100% mikrolaine jõul 10 minutit. Pühkige ahi pehme kuiva lapiga puhtaks.

NÕUD

ETTEVAATUST!

Kehavigastuse oht

Kõigil teistel peale pädevate isikute on ohtlik teha mis tahes hooldus- või remonditöid, mis hõlmavad mikrolaineenergiaga kokkupuute eest kaitsva katte eemaldamist.

Vaadake juhiseid jaotisest „Materjalid, mida mikrolaineahjus kasutada või vältida“. Leidub mõningaid mittemetallist nõusid, mis ei ole mikrolaineahjus kasutamiseks ohutud. Kahtluse korral saate nõud testida, järgides alltoodud toimingut.

Nõu test.

1. Pange mikrolaineahjukindlasse anumasse 1 tass külma vett (250 ml) ja katsetatav nõu.
2. Lülitage ahi 1 minutiks maksimaalse võimsusega toiduvalmistamise režiimi.
3. Katsuge nõud hoolikalt. Kui tühi nõu on soe, ärge kasutage seda mikrolaineahjus toidu valmistamiseks.
4. Ärge ületage 1 minuti pikkust testiaega.

Materjalid, mida saab mikrolaineahjus kasutada

Nõud	Märkused
Pruunistamise nõu	Järgige tootja juhiseid. Pruunistusnõu põhi peab olema vähemalt 5 mm (3/16 tolli) pöördplaadi kohal. Valesti kasutamine võib põhjustada pöördplaadi purunemise.
Sööginõud	Ainult mikrolaineahjukindlad. Järgige tootja juhiseid. Ärge kasutage nõusid, mis on pragunenud või millest on kild väljas.
Klaaspurgid	Eemaldage alati kaas. Kasutage ainult toidu soojendamiseks, mitte kuumutamiseks. Enamik klaaspurke ei ole kuumakindlad ja võivad puruneda.
Klaasnõud	Ainult kuumakindlad ahjuklaasnõud. Veenduge, et poleks ühtegi metallist viimistlusdetaili. Ärge kasutage nõusid, mis on pragunenud või millest on kild väljas.
Ahju küpsetuskotid	Järgige tootja juhiseid. Ärge sulgege metallkinnitiga. Tehke sisse pilud, et aur välja pääseks.
Pabertaldrikud ja -tops	Kasutage ainult lühiajaliseks toiduvalmistamiseks/soojendamiseks. Ärge jätke ahju toiduvalmistamise ajal järelevalveta.
Paberrätikud	Kasutage ülessoojendatava toidu katmiseks ja rasva imamiseks. Kasutage järelevalve all ainult lühiajaliseks toiduvalmistamiseks.
Pärgamentpaber	Kasutage kattena pritsimise vältimiseks või ümbrisena aurutamiseks.
Plast	Ainult mikrolaineahjukindlad. Järgige tootja juhiseid. Peaks kandma märgist „Sobib kasutamiseks mikrolaineahjus“ („Microwave Safe“). Mõned plastanumad pehmenevad seesoleva toidu kuumenemisel. Keedukotid ja tihedalt suletud kilekotid tuleb pakendil olevate juhiste kohaselt kas läbi lõigata, läbi torgata või ventileerida.
Plastmähis	Ainult mikrolaineahjukindlad. Kasutage toidu katmiseks toiduvalmistamise ajal, et niiskust säilitada. Ärge laske plastmähisel toiduga kokku puutuda.
Termomeetrid	Ainult mikrolaineahjukindlad (liha- ja magustoidutermomeetrid).
Vahapaber	Kasutage kattena pritsimise vältimiseks ja niiskuse hoidmiseks.

Materjalid, mida mikrolaineahjus vältida

Nõud	Märkused
Alumiiniumalused	Võivad põhjustada kaarlahendust. Tõstke toit ümber mikrolaineahjukindlasse nõusse.
Metallist käepidemega toidukarbid	Võivad põhjustada kaarlahendust. Tõstke toit ümber mikrolaineahjukindlasse nõusse.
Metallist või metalldetailidega nõud	Metall varjab toidu mikrolaineenergia eest. Metallidetailid võivad põhjustada kaarlahendust.
Metallist kinnitid	Võivad põhjustada kaarlahendust ja tekitada ahjus tulekahju.
Paberkotid	Võivad tekitada ahjus tulekahju.
Plastvaht	Plastvaht võib kokkupuutel kõrge temperatuuriga sulada või seesoleva vedeliku saastada.
Puit	Mikrolaineahjus kasutamisel puit kuivab ja võib lõheneda või praguneda.

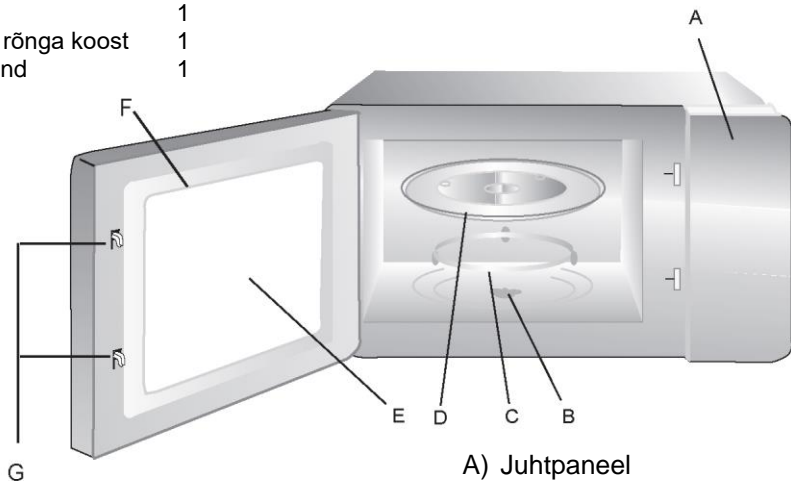
AHJU SEADISTAMINE

Ahju osade ja tarvikute nimetused

Võtke ahi ja kõik materjalid kastist ja ahjuõhnest välja.

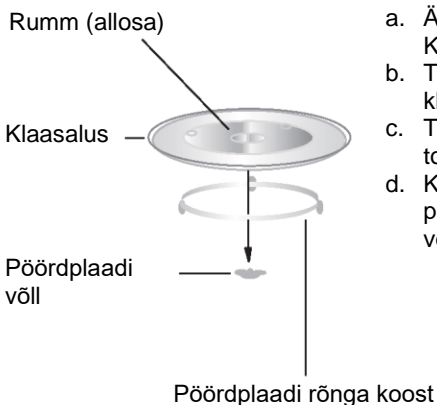
Ahjuga on kaasas järgmised tarvikud.

Klaasalus	1
Pöördplaadi rõnga koost	1
Kasutusjuhend	1



- A) Juhtpaneel
- B) Pöördplaadi võll
- C) Pöördplaadi rõnga koost
- D) Klaasalus
- E) Vaatlusaken
- F) Ukse kokkupanek
- G) Turvalukustussüsteem

Pöördplaadi paigaldamine



- a. Ärge kunagi asetage klaasalust tagurpidi. Klaasaluse liikumine ei tohi kunagi olla takistatud.
- b. Toiduvalmistamise ajal tuleb alati kasutada nii klaasalust kui ka pöördplaadi rõnga koostu.
- c. Toiduvalmistamiseks asetatakse toit ja toiduanumad alati klaasalusele.
- d. Kui klaasalus või pöördplaadi rõnga koost praguneb või puruneb, võtke ühendust lähima volitatud hoolduskeskusega.

Töötasapinnale paigaldamine

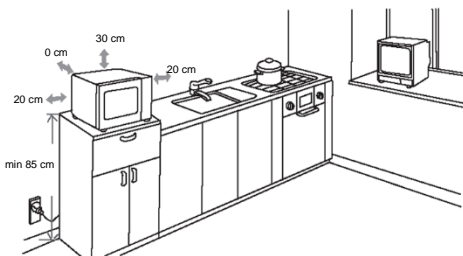
Eemaldage kõik pakkematerjalid ja tarvikud. Kontrollige ahju kahjustuste, näiteks mõlkide või katkiste uste tuvastamiseks. Ärge paigaldage, kui ahi on kahjustatud.

Kapp: eemaldage mikrolaineahju korpuse pinnalt kaitsekile.

Magnetroni kaitsmiseks ärge eemaldage ahju sisetasapinnale kinnitatud helepruuni vilgukivist katet.

Paigaldamine

1. Valige tasane pind, kus jääb piisavalt vaba ruumi sisse- ja/või väljalaskeavade jaoks.



(1) Minimaalne paigalduskõrgus on 85 cm.

(2) Seadme tagapind asetatakse vastu seina.

Jätke ahju kohale vähemalt 30 cm vaba ruumi, ahju ja külgnevate seinte vahele peab jääma vähemalt 20 cm vaba ruumi.

(3) Ärge eemaldage ahju alaküljel olevaid jalgu.

(4) Sisse- ja/või väljalaskeavade blokeerimine võib ahju kahjustada.

(5) Asetage ahi raadiost ja telerist võimalikult kaugemale. Mikrolaineahju kasutamine võib häirida radio või teleri vastuvõttu.

2. Ühendage ahi standardsesse kodumajapidamise pistikupesasse. Veenduge, et pinge ja sagedus kattuksid tüübisildil oleva pinge ja sagedusega.

HOIATUS! Ärge paigaldage ahju pliidiplaadi või muu soojust tekitava seadme kohale. Kui ahi paigaldatakse soojusallika lähedale või kohale, võib see kahjustada saada ja garantii kaotab kehtivuse.

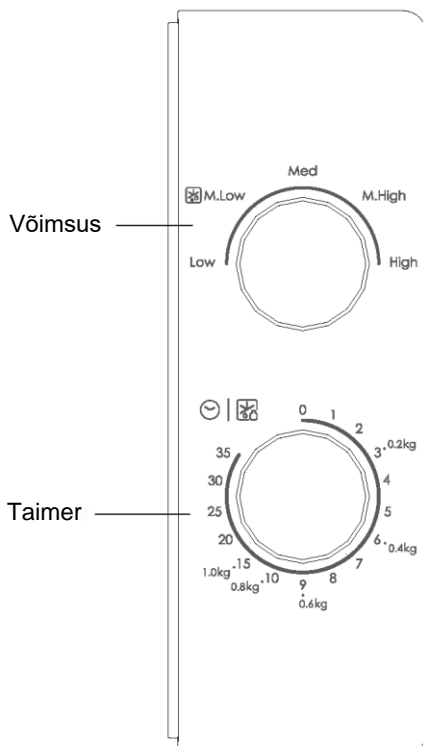
Juurdepääseta v pind võib töötamise ajal kuum olla.



KASUTAMINE

Juhtpaneel ja funktsioonid

Kasutusjuhised



1. Küpsetusvõimsuse seadistamiseks keerake toitenupp soovitud tasemele.
2. Küpsetamise aja määramiseks keerake taimerinupp toiduvalmistamise juhendi järgi soovitud ajale.
3. Mikrolaineahi alustab küpsetamist automaatselt pärast võimsuse taseme ja aja määramist.
4. Kui küpsetusaeg on läbi, siis kostab märguanne ja seade seiskub.
5. Kui seadet ei kasutata, seadke aeg alati väärtusele 0.

Funktsioon/võimsus	Väljund	Rakendus
Low	119 W	Jäätise pehmemdamine
Med. Low (sulatus)	231 W	Supi hautamine, või pehmemdamine või sulatamine
Med.	385 W	Hautis, kala
Med. High	539 W	Riis, kala, kana, hakkliha
High	700 W	Soojendamine, piim, vee keetmine, köögiviljad, joogid

Märkus. Toidu ahjust väljavõtmisel veenduge, et ahju toide oleks välja lülitatud, keerates taimeri lüliti asendisse 0 (null).

Vastasel juhul võib mikrolaineahju kasutamine ilma toiduta põhjustada magnetroni ülekuumenemist ja kahjustusi.

Veaotsing

Tavapärane	
Mikrolaineahi häirib teleri tööd.	Mikrolaineahju töötamise ajal võib raadio- ja telesignaali vastuvõtt olla häiritud. See on sarnane väikeste elektriseadmete (näiteks mikser, tolmuimeja, elektriventilaator) põhjustatud häiretega. See on normaalne.
Ahju tuli põleb hämaralt.	Mikrolaineahjus toidu madalal võimsusel valmistamise ajal võib ahju tuli muutuda tuhmiks. See on normaalne.
Uksele koguneb auru, tuulutusavadest väljub kuum õhku.	Toiduvalmistamise käigus võib toidust eralduda auru. Enamik sellest väljub tuulutusavadest. Kuid osa aurust võib koguneda jahedasse kohta, näiteks ahju uksele. See on normaalne.
Ahi käivitus kogemata ilma toiduta.	Seadet on keelatud käivitada nii, et selles pole toitu. See on väga ohtlik.

Probleem	Võimalik põhjus	Korrigeeriv meede
Ahju ei saa käivitada.	1) Toitejuhe ei ole tihedalt ühendatud.	Lahutage pistik. 10 sekundi pärast ühendage pistik uuesti.
	2) Kaitse on läbi põlenud või kaitseüliti on rakendunud.	Asendage kaitse või lähtestage kaitseüliti (mille on parandanud meie ettevõtte professionaalne personal)
	3) Probleemid väljalaskeavaga.	Katsetage pistikupesa teiste elektriseadmetega.
Ahi ei kuumene.	4) Uks ei ole korralikult suletud.	Sulgege uks korralikult.



See seade on märgistatud vastavalt Euroopa direktiivile 2012/19/EL elektri- ja elektroonikaseadmete jäätmete 2013. aasta eeskirjade kohta seoses elektri- ja elektroonikaseadmetega (WEEE). Elektroonikaromud sisaldavad nii saasteaineid (millel võib olla negatiivne mõju keskkonnale) kui ka põhielemente (mida saab korduskasutada). On oluline, et elektroonikaromud läbiks eritöötuse saasteainete nõuetekohaseks eemaldamiseks ja kõrvaldamiseks ning kõikide materjalide ringlussevõtuks. Üksikisikul võib olla tähtis roll selle tagamisel, et elektroonikaromud ei muutuks keskkonnaprobleemiks; oluline on järgida mõningaid põhireegleid:

- elektroonikaromusid ei tohiks käidelda koos olmejäätmetega;
- elektroonikaromud tuleks viia spetsiaalsetesse kogumiskohtadesse, mida haldab kohalik omavalitsus või registreeritud ettevõte.

Paljudes riikides võib toimida suurte olmeelektronikaromude kogumisteenus. Uue seadme ostmisel saate vana tagastada müüjale, kes peab selle ühekordselt tasuta vastu võtma, kui vana seade on uuega sama tüüpi ja samade funktsioonidega.



Mikroviļņu krāsns

LIETOŠANAS PAMĀCĪBA

**MODELIS:CMW20SMW
CMW20SMB**

Pirms mikroviļņu krāsns lietošanas uzmanīgi izlasiet šos norādījumus un rūpīgi glabājiēt tos.

Ja ievērosiēt norādījumus, krāsns jums lieliski kalpos daudzus gadus.

RŪPĪGI GLABĀJIET ŠOS NORĀDĪJUMUS

PIESARDZĪBAS PASĀKUMI, LAI IZVAIRĪTOS NO IESPĒJAMAS PĀRMĒRĪGAS MIKROVIĻŅU ENERĢIJAS IEDARBĪBAS

(a) Nemēģiniet darbināt šo krāsni ar atvērtām durvīm, jo tas var izraisīt kaitīgu mikroviļņu enerģijas iedarbību. Nekādā gadījumā nedrīkst salauzt drošības bloķētājus vai veikt to izmaiņas.

(b) Nenovietojiet nekādus priekšmetus starp krāsni priekšpusi un durvīm, kā arī neļaujiet netīrumiem vai tīrīšanas līdzekļa atliekām uzkrāties uz blīvju virsmām.

(c) **BRĪDINĀJUMS:** Ja durvis vai durvju blīves ir bojātas, krāsni nedrīkst darbināt, kamēr tās nav saremontējusi kvalificēta persona.

PAPILDINĀJUMS

Ja aparāts netiek uzturēts pietiekami tīrs, tā virsma var tikt bojāta un ietekmēt aparāta kalpošanas laiku, kā arī radīt bīstamu situāciju.

Specifikācijas

Modelis:	CMW20SMW / CMW20SMB
Nominālais spriegums:	230V~50 Hz
Nominālā ieejas jauda (mikroviļņu krāsns):	1050 W
Nominālā izejas jauda (mikroviļņu krāsns):	700 W
Krāsns ietilpība:	20 l
Rotējošās platformas diametrs:	Ø 255 mm
Ārējie izmēri:	439,5*357,5*258,2 mm
Neto svars:	Aptuveni 10,2 kg

SVARĪGU DROŠĪBAS NORĀDĪJUMU BRĪDINĀJUMS

Lai samazinātu aizdegšanās, elektriskās strāvas trieciena, cilvēku traumēšanas vai pārmērīgas mikroviļņu krāsns enerģijas iedarbības risku, lietojot ierīci, ievērojiet pamata piesardzības pasākumus, tostarp šādus:

1. Izlasiet un ievērojiet informāciju, kas sniegta sadaļā “PIESARDZĪBAS PASĀKUMI, LAI IZVAIRĪTOS NO IESPĒJAMAS PĀRMĒRĪGAS MIKROVIĻŅU ENERĢIJAS IEDARBĪBAS”
2. Šo ierīci drīkst lietot bērni no 8 gadu vecuma un personas ar ierobežotām fiziskām, sensorām vai garīgām spējām vai bez pieredzes un zināšanām, ja vien tās tiek uzraudzītas vai tām ir sniegti norādījumi par ierīces lietošanu drošā veidā un tās saprot ar to saistītos riskus. Bērni nedrīkst spēlēties ar ierīci. Bērni nedrīkst veikt ierīces tīrīšanu un apkopi bez uzraudzības.
3. Glabājiet ierīci un tās vadu vietā, kas nav pieejama bērniem, kuri nav sasnieguši 8 gadu vecumu.
4. Ja barošanas vads ir bojāts, to drīkst nomainīt ražotājs, tā klientu apkalpošanas dienesta pārstāvis vai cita kvalificēta persona, lai izvairītos no bīstamības.
5. **BRĪDINĀJUMS:** Pirms spuldzes nomaiņas ir jāpārlicinās, vai ierīce ir izslēgta, lai izvairītos no riska saņemt elektriskās strāvas triecienu.
6. **BRĪDINĀJUMS:** Jebkura apkopes vai remonta darbība, kas saistīta ar tāda pārsega noņemšanu, kas nodrošina aizsardzību pret mikroviļņu enerģijas iedarbību, ir bīstama jebkurai personai, kas nav atbilstoši kvalificēta.

7. BRĪDINĀJUMS: Šķidrumus un citus pārtikas produktus nedrīkst sildīt slēgtos traukos, jo tie var eksplodēt.
8. Sildot ēdienu plastmasas vai papīra traukos, uzraugiet krāsni, jo var notikt aizdegšanās.
9. Izmantojiet tikai tādus galda piederumus, kas ir piemēroti lietošanai mikroviļņu krāsnīs.
10. Ja parādās dūmi, izslēdziet ierīci vai atvienojiet to no elektrotīkla un turiet durvis aizvērtas, lai apslāpētu liesmas.
11. Mikroviļņu krāsnī karsējot dzērienus, var notikt aizkavēta vārīšanās ar strauju burbuļošanu, tāpēc ar trauku jārikojas uzmanīgi.
12. Barošanas pudelīšu un bērnu pārtikas trauciņu saturs ir jāsamaisa vai jāsakrata, un pirms lietošanas ir jāpārbauda ēdiena temperatūra, lai izvairītos no apdegumiem.
13. Mikroviļņu krāsnī nedrīkst sildīt olas čaumalās un veselas cieti vārītas olas, jo tās var eksplodēt arī pēc tam, kad sildīšana ar mikroviļņiem ir pabeigta.
14. Krāsns ir regulāri jātīra, un ir jānoņem ēdiena atliekas.
15. Ja krāsns netiek uzturēta pietiekami tīra, virsma var tikt bojāta, un tas var saīsināt ierīces kalpošanas laiku, kā arī radīt bīstamu situāciju.
16. Ierīci nedrīkst uzstādīt aiz dekoratīvām durvīm, lai izvairītos no pārkaršanas. (Tas neattiecas uz ierīcēm ar dekoratīvām durvīm.)
17. Izmantojiet tikai šai krāsnij ieteikto temperatūras zondi (krāsnīm, kas aprīkotas ar temperatūras noteikšanas zondi).

18. Mikroviļņu krāsni nedrīkst ievietot skapī, ja vien tā nav testēta skapī.
19. Mikroviļņu krāsns ir jādarbina ar atvērtām dekoratīvajām durvīm (krāsnīm ar dekoratīvajām durvīm).
20. Šī ierīce ir paredzēta mājsaimniecības un līdzīgiem lietojumiem, piemēram:
 - personāla virtuves zonām veikalos, birojos un citās darba vietās;
 - klientu vajadzībām viesnīcās, moteļos un citās dzīvošanai paredzētās vietās;
 - lauku mājās;
 - lietošanai vietās, kur tiek piedāvāta naktsmītne un brokastis.
21. Mikroviļņu krāsns ir paredzēta ēdienu un dzērienu sildīšanai. Pārtikas vai apģērba žāvēšana un sildošo paliktņu, čību, sūkļu, mitru drānu un tamlīdzīgu priekšmetu sildīšana var radīt traumu, aizdegšanās vai ugunsgrēka risku.
22. Gatavojot mikroviļņu krāsnī, nav atļauts izmantot metāla traukus ēdieniem un dzērieniem.
23. Ierīci nedrīkst tīrīt ar tvaika tīrītāju.
24. Ierīci ir paredzēts izmantot brīvi stāvošu.
25. Ierīces aizmugurējā virsma jānovieto pret sienu.

RŪPĪGI IZLASIET UN SAGLABĀJIET TURPMĀKAI UZZIŅAI

Cilvēku traumu riska samazināšana — iezemēšana

BĪSTAMI

Elektriskās strāvas trieciena risks. Pieskaršanās dažiem iekšējiem komponentiem var izraisīt smagas traumas vai nāvi. Neizjauciet šo ierīci.

BRĪDINĀJUMS

Elektriskās strāvas trieciena risks. Nepareiza zemējuma lietošana var izraisīt elektriskās strāvas triecienu. Nepievienojiet ierīci kontaktligzdai, kamēr ierīce nav pareizi uzstādīta un iezemēta.

Šai ierīcei ir jābūt iezemētai. Elektriskās strāvas ģīsavienojuma gadījumā zemējums samazina elektriskās strāvas trieciena risku, nodrošinot vadu elektriskās strāvas novadīšanai. Šī ierīce ir aprīkota ar vadu, kuram ir zemēšanas vads un zemēšanas kontaktdakša. Kontaktdakša ir jāsavieno ar kontaktligzdu, kas ir pareizi uzstādīta un iezemēta.

Ja norādījumi par zemējumu nav pilnībā saprotami vai ja pastāv šaubas par to, vai ierīce ir pareizi iezemēta, konsultējieties ar kvalificētu elektriķi vai apkopes speciālistu.

Ja nepieciešams izmantot pagarinātāju, izmantojiet tikai trīs vadu pagarinātāju.

1. Komplektā ir iekļauts ģīs strāvas padeves vads, lai samazinātu riskus, kas rodas, aizķeroties aiz garāka vada vai pakļūpot pār to.
2. Ja tiek izmantots garš vada komplekts vai pagarinātājs:
 - 1) Vada komplektam vai pagarinātājam marķējumā norādītajai nominālajai strāvas vērtībai jābūt vismaz tikpat lielai kā ierīces nominālajai strāvas vērtībai.
 - 2) Pagarinātājam jābūt trīs vadu tipa ar zemējumu.
 - 3) Garais vads ir jānovieto tā, lai tas nekarātos pāri letei vai galdam, kur to var vilkt bērni vai pār to var nejauši pakļūpt.

TĪRĪŠANA

Obligāti atvienojiet ierīci no barošanas avota.

1. Pēc lietošanas iztīriet krāsns telpu ar viegli samitrinātu drānu.
2. Piederumus mazgājiet ziepjūdenī kā parasti.
3. Durvju rāmis un blīve, kā arī blakus esošās detaļas rūpīgi jānotīra ar mitru drānu, kad tās ir netīras.
4. Krāsns durvju stiklu tīrīšanai neizmantojiet abrazīvus tīrīšanas līdzekļus vai asus metāla skrāpjus, jo tie var saskrāpēt virsmu, kas var izraisīt stikla saplīšanu.
5. Tīrīšanas padoms. Lai atvieglotu krāsns iekšējo sienu tīrīšanu, kur var pieskarties ēdiens: ielieciet bļodā pusi citrona, pievienojiet 300 ml (1/2 pintes) ūdens un karsējiet ar 100% mikroviļņu jaudas 10 minūtes. Noslaukiet krāsni ar mīkstu, sausu drānu.

PIEDERUMI UZMANĪBU

Traumu gūšanas risks

Jebkura apkopes vai remonta darbība, kas saistīta ar tāda pārsega noņemšanu, kas nodrošina aizsardzību pret mikroviļņu enerģijas iedarbību, ir bīstama jebkurai personai, kas nav atbilstoši kvalificēta.

Skatiet norādījumus sadaļās “Materiāli, ko var izmantot mikroviļņu krāsnī” un “Materiāli, kurus nedrīkst lietot mikroviļņu krāsnī”. Atsevišķi nemetāla trauki, iespējams, nav piemēroti izmantošanai mikroviļņu krāsnī. Ja rodas šaubas, attiecīgo piederumu var pārbaudīt, veicot tālāk aprakstīto procedūru.

Piederumu pārbaude:

1. Traukā, kas ir piemērots lietošanai mikroviļņu krāsnī, ielejiet 1 tasi (250 ml) auksta ūdens un ielieciet pārbaudāmo piederumu.
2. Ieslēdziet gatavošanu ar maksimālo jaudu 1 minūti.
3. Uzmanīgi aptaustiet piederumu. Ja tukšais piederums ir silts, neizmantojiet to ēdiena gatavošanai mikroviļņu krāsnī.
4. Gatavošanas laiks nedrīkst pārsniegt 1 minūti.

Materiāli, ko var izmantot mikroviļņu krāsnī

Piederumi	Piezīmes
Apbrūnināšanas trauks	Ievērojiet ražotāja norādījumus. Apbrūnināšanas trauka apakšdaļai jāatrodas vismaz 5 mm (3/16 collas) virs rotējošās platformas. Nepareiza lietošana var izraisīt rotējošās platformas saplīšanu.
Virtuves trauki	Tikai trauki, kas paredzēti lietošanai mikroviļņu krāsnī. Ievērojiet ražotāja norādījumus. Nelietojiet ieplīsušus vai ieplayājušus traukus.
Stikla burkas	Vienmēr noņemiet vāku. Uzsildiet ēdienu tikai tik daudz, lai tas būtu silts. Lielākā daļa stikla burku nav karstumizturīgas un var saplīst.
Stikla trauki	Tikai karstumizturīgi stikla trauki, kas paredzēti lietošanai krāsnī. Pārlicinieties, ka traukiem nav metāla rotājumu. Nelietojiet ieplīsušus vai ieplayājušus traukus.
Maisiņi cepšanai cepeškrāsnī	Ievērojiet ražotāja norādījumus. Neaizveriet ar metāla savilcēju. Izveidojiet iegriezumus, lai ļautu izplūst tvaikam.
Papīra šķīvji un krūzes	Izmantojiet tikai īslaicīgai gatavošanai/uzsildīšanai. Gatavošanas laikā neatstājiet krāsni bez uzraudzības.
Papīra diviļņi	Izmantojiet, lai pārsegtu ēdienu uzsildīšanai un tauku uzsūkšanai. Lietojiet tikai īslaicīgai ēdiena gatavošanai, nepārtraukti uzraugot.
Cepampapīrs	Izmantojiet kā pārsegu, lai novērstu izšļakstīšanos, vai ietiniet ēdienu, lai to tvaicētu.
Plastmasa	Tikai trauki, kas paredzēti lietošanai mikroviļņu krāsnī. Ievērojiet ražotāja norādījumus. Uz trauka jābūt marķējumam "Microwave Safe" (Droši lietojams mikroviļņu krāsnī). Daži plastmasas trauki kļūst mīkstāki, kad tajos esošais ēdiens sakarst. "Vārāmajos maisiņos" un cieši noslēgtos plastmasas maisiņos ir jāizveido iegriezumi, caurumi vai gaisa atveres, kā norādīts uz iepakojuma.
Pārtikas plēve	Tikai trauki, kas paredzēti lietošanai mikroviļņu krāsnī. Izmantojiet ēdiena pārklāšanai gatavošanas laikā, lai tas saglabātu mitrumu. Pārtikas plēve nedrīkst saskarties ar ēdienu.
Termometri	Tikai termometri, kas paredzēti lietošanai mikroviļņu krāsnī (gaļas un saldumu gatavošanai paredzēti termometri).
Vaskpapīrs	Izmantojiet kā pārklāju, lai novērstu izšļakstīšanos un saglabātu mitrumu.

Materiāli, kurus nedrīkst lietot mikroviļņu krāsnī

Piederumi	Piezīmes
Alumīnija paplātes	Var izraisīt dzirksteļošanu. Ielieciet ēdienu traukā, kas ir paredzēts lietošanai mikroviļņu krāsnī.
Pārtikas kārba ar metāla rokturi	Var izraisīt dzirksteļošanu. Ielieciet ēdienu traukā, kas ir paredzēts lietošanai mikroviļņu krāsnī.
Galda piederumi, kas izgatavoti no metāla vai kam ir metāla rotājumi	Metāls aiztur mikroviļņu enerģiju no ēdiena. Metāla rotājumi var izraisīt dzirksteļošanu.
Metāla stieples savilcēji	Var izraisīt dzirksteļošanu un aizdegšanos krāsnī.
Papīra maisiņi	Var izraisīt aizdegšanos krāsnī.
Plastmasas putu materiāli	Augstas temperatūras ietekmē plastmasas putu materiāli var izkust vai piesārņot traukā esošo šķidrumu.
Koks	Koksne mikroviļņu krāsnī izžūst un var saplīst vai saplaisāt.

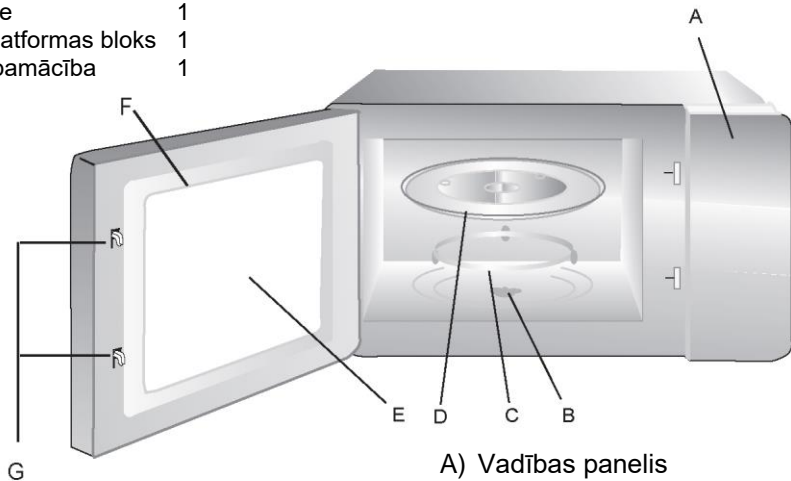
KRĀSNS SAGATAVOŠANA DARBAM

Krāsns daļu un piederumu nosaukumi

Izņemiet krāsni un visus materiālus no kartona kārbas, kā arī izņemiet visus materiālus no krāsns telpas.

Krāsns piederumi:

Stikla paplāte	1
Rotējošās platformas bloks	1
Lietošanas pamācība	1



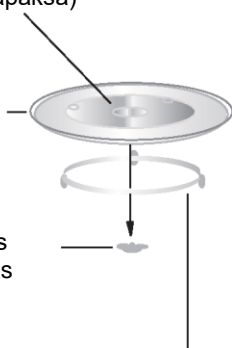
- A) Vadības panelis
- B) Rotējošās platformas vārpsta
- C) Rotējošās platformas bloks
- D) Stikla paplāte
- E) Lodziņš
- F) Durvju bloks
- G) Drošības bloķēšanas sistēma

Rotējošās platformas uzstādīšana

Rumba (apakšā)

Stikla paplāte

Rotējošās platformas vārpsta



Rotējošās platformas bloks

- a. Stikla paplāti nedrīkst novietot ar apakšu uz augšu. Stikla paplāti nekādā gadījumā nedrīkst ierobežot.
- b. Gatavošanas laikā vienmēr jāizmanto gan stikla paplāte, gan rotējošās platformas bloks.
- c. Lai gatavotu, ēdiens un ēdiena trauki vienmēr jānovieto uz stikla paplātes.
- d. Ja stikla paplāte vai rotējošās platformas bloks saplaisā vai saplīst, sazinieties ar tuvāko pilnvaroto servisa centru.

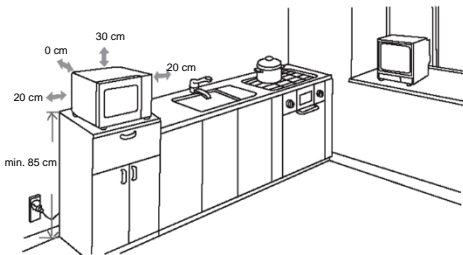
Uzstādīšana uz virsmas

Noņemiet visus iepakojuma materiālus un piederumus. Pārbaudiet, vai krāsnij nav bojājumu, piemēram, iespaidumu vai salauztu durvju. Neuzstādi, ja krāsns ir bojāta.

Skapis: Noņemiet visu aizsargplēvi no mikroviļņu krāsns skapja virsmas. Nenoņemiet gaiši brūno vizlas pārklāju, kas ir piestiprināts krāsns dobumam, lai aizsargātu magnetronu.

Uzstādīšana

1. Izvēlieties līdzenu virsmu, kas nodrošina pietiekamu vietu ieplūdes un/vai izplūdes atverēm.



(1) Minimālais uzstādīšanas augstums ir 85 cm.

(2) Ierīces aizmugurējā virsma jānovieto pret sienu. Atstājiet vismaz 30 cm brīvu vietu virs krāsns; minimālā atstarpe starp krāsnī un blakus esošajām sienām ir 20 cm.

(3) Nenoņemiet kājas no krāsns apakšas.

(4) Ieplūdes un/vai izplūdes atveru bloķēšana var sabojāt krāsnī.

(5) Novietojiet krāsnī pēc iespējas tālāk no radioaparātiem un televizoriem. Mikroviļņu krāsns darbība var izraisīt radio vai televizora uztveršanas traucējumus.

2. Pieslēdziet krāsnī standarta mājsaimniecības kontaktligzdai. Pārliedziniet, vai spriegums un frekvence ir vienāda ar nominālvērtību marķējumā norādīto.

BRĪDINĀJUMS: neuzstādi cepeškrāsnī virs plīts virsmas vai citas siltumu ražojošas ierīces. Ja krāsnī uzstāda siltuma avota tuvumā vai virs tā, tā var tikt bojāta un garantija var tikt anulēta.

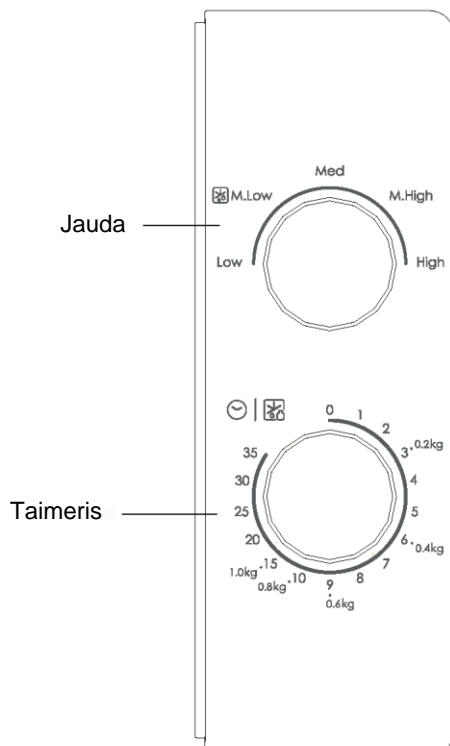
**Darba laikā
pieejamā
virsmā var
būt karsta.**



DARBĪBA

Vadības panelis un funkcijas

Lietošanas norādījumi



1. Lai iestatītu gatavošanas jaudu, pagrieziet barošanas pogu līdz vēlamajam līmenim.
2. Lai iestatītu gatavošanas laiku, pagrieziet taimera pogu uz vēlamo laiku atbilstoši jūsu gatavošanas receptei.
3. Mikroviļņu krāsns automātiski sāks gatavot pēc jaudas līmeņa un laika iestatīšanas.
4. Kad gatavošanas laiks ir beidzies, ierīce apstājas ar signālu "Dong".
5. Ja ierīce netiek izmantota, vienmēr iestatiet laiku uz "0".

Funkcija/jauda	Izvade	Pielietojums
Low	119 W	Mīkstina saldējumu
Med. Low (atkausēšana)	231 W	Zupas sautējums, sviesta mīkstināšana vai atkausēšana
Med.	385 W	Sautējums, zivs
Med. High	539 W	Rīsi, zivis, vistas gaļa, maltā gaļa
High	700 W	Uzkarsēšana, piens, ūdens vārīšana, dārzeņi, dzērieni

Piezīme: Izņemot ēdienu no krāsns, lūdzu, pārliecinieties, vai krāsns barošana ir izslēgta, pagriežot taimera slēdzi uz 0 (nulle).
Pretējā gadījumā un darbinot mikroviļņu krāsni bez pārtikas var izraisīt magnetrona pārkaršanu un bojājumus.

Problēmu novēršana

Normāla darbība	
Mikroviļņu krāsns traucē TV uztveršanu	Mikroviļņu krāsns darbības laikā var tikt traucēta radio un TV uztveršana. Līdzīgu traucējumus izraisa arī citas nelielas elektroierīces, piemēram, mikseris, putekļsūcējs un elektriskais ventilators. Tas ir normāli.
Blāvs apgaismojums krāsni	Izmantojot mazu mikroviļņu krāsns jaudu, apgaismojums krāsni var kļūt blāvs. Tas ir normāli.
Tvaiks uzkrājas uz durvīm, karsts gaiss no ventilācijas atverēm	Ēdiena gatavošanas laikā no ēdiena var izplūst tvaiks. Lielākā daļa tvaika izplūst pa ventilācijas atverēm. Bet daļa tvaika var uzkrāties vēsā vietā, piemēram, uz krāsns durvīm. Tas ir normāli.
Krāsns nejauši ir iedarbināta, neievietojot tajā ēdienu.	Ierīci aizliegts darbināt, ja tajā nav ēdiena. Tas ir ļoti bīstami.

Problēma	Iespējamais cēlonis	Risinājums
Krāsni nevar ieslēgt.	(1) Strāvas vads nav cieši pievienots.	Atvienojiet vadu. Pēc 10 sekundēm vēlreiz pievienojiet to elektrotīklam.
	(2) Nostrādā drošinātājs vai jaudas slēdzis.	Nomainiet drošinātāju vai atiestatiet jaudas slēdzi (remontu var veikt mūsu uzņēmuma speciālists).
	(3) Problēmas ar kontaktligzdu.	Pārbaudiet kontaktligzdu ar citām elektroierīcēm.
Krāsns nesilda.	(4) Durvis nav labi aizvērtas.	Cieši aizveriet durvis.



Šī ierīce ir marķēta saskaņā ar Eiropas Direktīvu 2012/19/ES par elektrisko un elektronisko iekārtu atkritumiem 2013 attiecībā uz elektriskajām un elektroniskajām ierīcēm (EEIA). EEIA satur gan piesārņojošas vielas (kas var negatīvi ietekmēt vidi), gan pamatelementus (ko var lietot atkārtoti). Ir svarīgi veikt īpašu EEIA apstrādi, lai pareizi nonemtu un likvidētu visus piesārņojumus un atgūtu visus materiālus. Fiziskām personām var būt svarīga loma tajā, lai EEIA nekļūtu par vides aizsardzības problēmu; ir būtiski ievērot dažus pamatnoteikumus:

- EEIA nedrīkst apstrādāt kā sadzīves atkritumus;
 - EEIA jānogādā īpašās savākšanas zonās, ko pārvalda pilsētas dome vai reģistrēts uzņēmums.
- Daudzās valstīs tiek nodrošināta lielo EEIA savākšana no mājāsniecībām. Iegādājoties jaunu ierīci, veco ierīci var nodot piegādātājam, kuram tā šajā konkrētajā gadījumā jāpieņem bez maksas, ja vien šīs ierīces veids un funkcijas atbilst iegādātās ierīces veidam un funkcijām.

